

- 1pole 6 A, 1 CO or 1 NO contact
- Environmentally-friendly cadmium-free contacts
- Class F coil system standard
- For ambient temperatures up to 105°C
- WG version: Product in accordance to IEC60335-1
- RoHS compliant (Directive 2002/95/EC) as per product date code 0346



F0224BB

Applications

White goods, domestic appliances

Approvals

VDE REG.-Nr. 121560, c RU us E214025
 Technical data of approved types on request

Contact data

Contact configuration	1 CO or 1 NO contact
Contact set	single contact
Type of interruption	micro- disconnection
Rated current	6 A
Rated voltage / max.switching voltage AC	240/400 VAC
Maximum breaking capacity AC	1500 VA
Limiting making capacity, max 4 s, duty factor 10%	10 A
Contact material	AgNi 90/10
Mechanical endurance	2x10 ⁶ cycles
Rated frequency of operation with / without load	6/600 min ⁻¹

Contact ratings

Type	Load	Cycles
NO	2A, 250VAC, 105°C, resistive, 50Hz, EN61810	250x10 ³
NO	5A, 250VAC, 105°C, resistive, 50Hz, EN61810	150x10 ³
CO	6A, 250VAC, 105°C, resistive, 50Hz, EN61810	100x10 ³

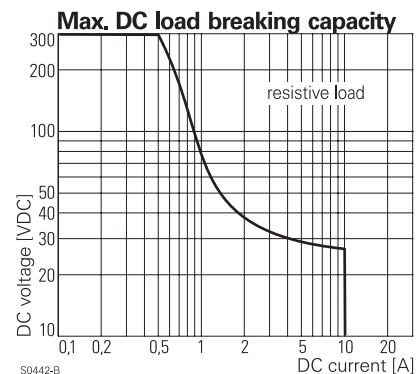
Coil data

Rated coil voltage range DC coil	5...36 VDC
Coil power DC coil	typ. 360 mW
Operative voltage range, % of rated coil voltage	90...100%
Non-release voltage, % of rated coil voltage	50%

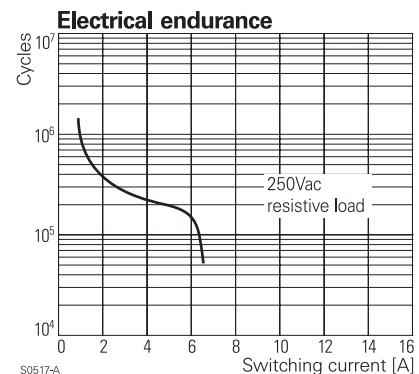
Coil versions, DC-coil

Coil code	Rated voltage VDC	Operate voltage VDC	Release voltage VDC	Coil resistance Ohm	Rated coil power mW
005	5	3.75	0.5	70±10%	357
006	6	4.5	0.6	100±10%	360
009	9	6.75	0.9	225±10%	360
012	12	9.0	1.2	400±10%	360
018	18	13.5	1.8	900±10%	360
022	22	16.5	2.2	1344±10%	360
024	24	18.0	2.4	1600±10%	360
048	48	36	4.8	6400±10%	360

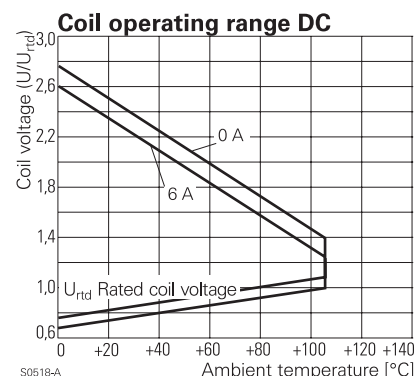
All figures are given for coil without preenergization, at ambient temperature +23°C
 Other coil voltages on request



S0442-B



S0517-A



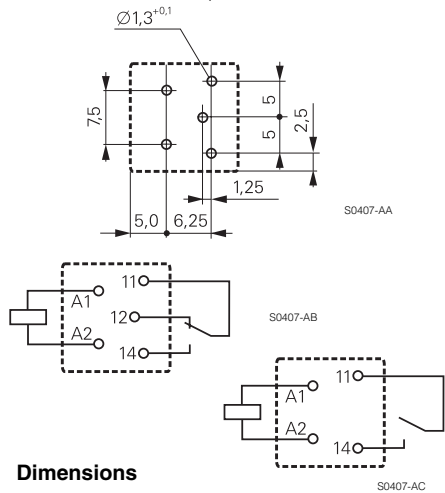
S0518-A

Insulation	
Dielectric strength coil-contact circuit	2500 V _{rms}
open contact circuit	1000 V _{rms}
Clearance / creepage coil-contact circuit	≥ 3/4 mm
Material group of insulation parts	IIIa
Tracking index of relay base	CTI 250
Insulation to IEC 60664-1	
Type of insulation coil-contact circuit	basic
open contact circuit	functional
Rated insulation voltage	250 V
Pollution degree	3
Rated voltage system	230/400 V
Overvoltage category	III

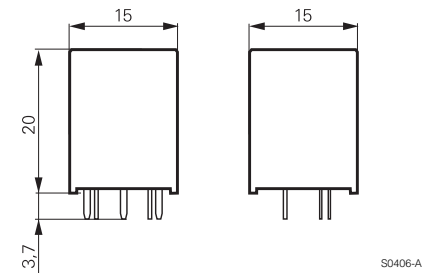
Other data	
RoHS - Directive 2002/95/EC	compliant as per product date code 0346
Flammability class according to UL94	V-0
For WG version: GWFI to IEC 60335-1	≥ 850°C
GWIT to IEC 60335-1	≥ 775°C
Ambient temperature range	-20...105°C
Operate- / release time	< 20 ms
Bounce time NO / NC contact	< 15 ms
Vibration resistance (function) NO / NC contact	>10/4g, 30...400Hz
Shock resistance (destruction)	100 g
Category of protection	RTII - flux proof
Mounting	pcb
Resistance to soldering heat	270°C / 10 s
Relay weight	5.4 g
Packaging unit	35/1050 pcs

PCB layout / terminal assignment

Bottom view on solder pins



Dimensions



Product key

Type	P B H	4			
Version	H High temperature version				
Contact configuration	1 1 CO contact	3 1 NO contact			
Contact material	4 AgNi 90/10				
Coil	Coil code: please refer to coil versions table				
Version	Blank Standard version WG Product in accordance with IEC 60335-1 (domestic appliances)				

Other types on request

Product key	Version	Contacts	Contact material	Coil	Part number
PBH14005	high temperature version	1 CO contact	AgNi 90/10	5 VDC	9-1415356-1
PBH14006				6 VDC	8-1415356-1
PBH14009				9 VDC	7-1415356-1
PBH14012				12 VDC	6-1415356-1
PBH14018				18 VDC	6-1415357-1
PBH14022				22 VDC	7-1415357-1
PBH14024				24 VDC	6-1415355-1
PBH14036				36 VDC	9-1415355-1
PBH34005		1 NO contact		5 VDC	5-1415356-1
PBH34006				6 VDC	4-1415356-1
PBH34009				9 VDC	3-1415356-1
PBH34012				12 VDC	2-1415356-1
PBH34018				18 VDC	8-1415357-1
PBH34022				22 VDC	9-1415357-1
PBH34024				24 VDC	1-1415356-1
PBH34036				36 VDC	0-1415356-1