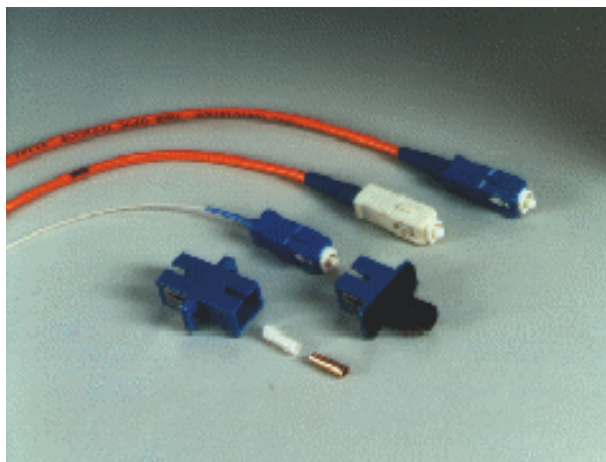


**Searches**

[Part Information](#) | [Introduction](#) | [Specifications](#) | [Ordering Information](#) | [Line Drawings](#) | [Termination Procedure](#)

Information

email

**Part Information:****Part Number:** 954-101-5005**Description:** SC Connector, Single Mode, 125 μ m, Zirconia PC Ferrule**Family:** SC Connectors**Introduction**

The 954 series one piece SC connector is designed to greatly improve termination time and yield over conventional multipiece SC connectors. The push-pull coupling method enables easy insertion and removal of the connector making it ideal for high density interconnect applications.

Applications

- Telephony, Long Distance and Local Loop Networks
- CATV Networks and Local Area Networks
- Laser and LED Pigtails
- Instrumentation
- Medical, Laser Delivery

Features

- One piece construction reduces termination time.
- Optically non-disconnecting design prevents signal interruption.
- The highly concentric precision zirconia ferrules are preradiused to minimize insertion loss and back reflection.
- Available in single mode and multimode versions.
- The 954 series SC connector can be field installed using the Amphenol Universal Termination Procedure (UTP) in five to seven minutes.
- All connectors are supplied with a 3 mm diameter bend relief boot and a 900 μm bare fiber bend relief boot.



Specifications

Connection Loss:	9/125 μm fiber 0.19 dB typical 62.5/125 μm fiber 0.15 dB typical
Durability:	\leq 0.20 dB change after 500 mating cycles
Directivity:	\leq -55 dB
Operating Temperature:	-40°C to +85°C

Intermateability

The Amphenol 954 series SC connectors and adapters are mechanically and optically intermateable with NTT SC type products and conform to JIS C 5973.



Ordering Information

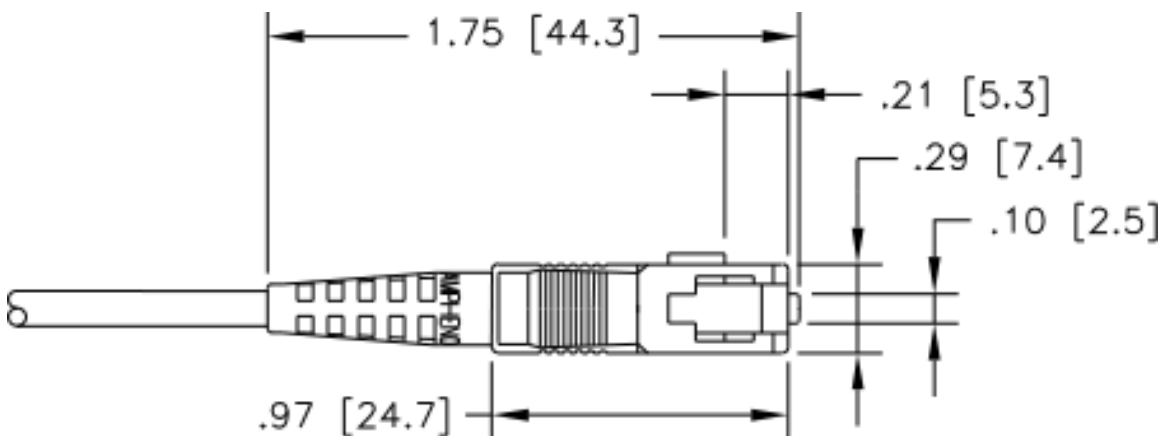
Part Number	Description	Single Mode Multimode
954-101-5005	SC Connector, Single Mode, 125 μm , Zirconia PC Ferrule	sm
954-101-5006	SC Connector, Single Mode, 126 μm , Zirconia PC Ferrule	sm

954-101-5305	SC Connector, Single Mode, 125 μ m, Zirconia PC Ferrule, High Performance Boot	sm
954-101-5306	SC Connector, Single Mode, 126 μ m, Zirconia PC Ferrule, High Performance Boot	sm
954-101-5515	SC Connector, Single Mode, 125 μ m, Zirconia PC Ferrule, Optical Disconnecting-Easy Termination	sm
954-101-5516	SC Connector, Single Mode, 126 μ m, Zirconia PC Ferrule, Optical Disconnecting-Easy Termination	sm
954-101-5010	SC Connector, Multimode, 128 μ m, Zirconia PC Ferrule	mm
954-101-5011	SC Connector, Multimode, 144 μ m, Zirconia PC Ferrule	mm

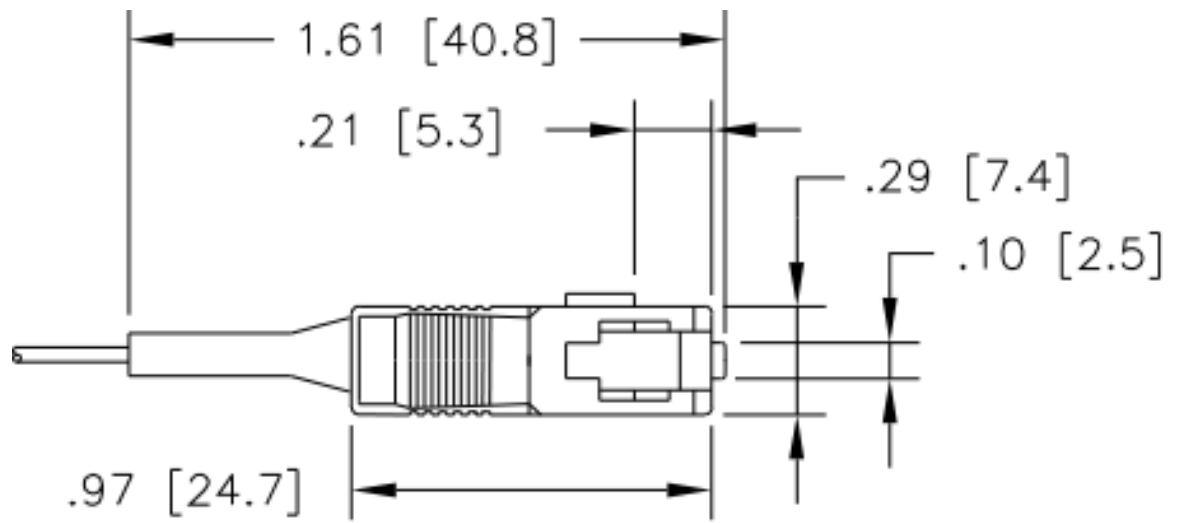


Line Drawings

SC Connector Standard Boot



SC Connector Bare Fiber Boot



Termination Procedure

[Click Here to View Termination Procedure](#)