



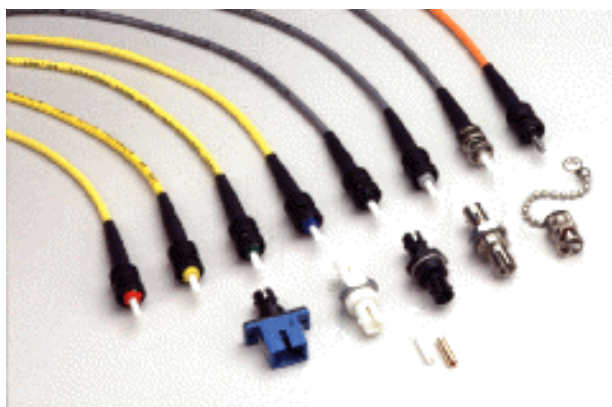
Searches

[Part Information](#) | [Introduction](#) | [Specifications](#) | [Ordering Information](#) | [Line Drawings](#) | [Termination Procedure](#)

Information

[email](#)

Part Information:



Part Number: 953-101-5010

Description: ST Connector, Multimode, 128 μ m, Zirconia PC Ferrule, Black

Family: ST Connectors



Introduction

The 953 series single and multimode connectors and adapters are precision ST compatible interfaces manufactured to exceed industry performance specifications.

Applications

- Local Area Networks
- Premise Distribution
- Computer Peripheral Interconnections
- Telecommunication Networks
- Test and Instrumentation

Features

- The connector body and coupling nut are precision molded from a flame retardant, glass-filled polymer for light weight

and strength. The connector body is color coded to indicate single mode or multimode and ferrule hole size

- The highly concentric precision zirconia ceramic ferrules are pre-radiused to minimize insertion loss and back reflection
- The connectors utilize a crimp-on cable retention system for ease of termination and superior load carrying ability
- Polymer bodied ST adapters are available with either a high precision zirconia ceramic or multimode phosphor bronze alignment sleeve for superior insertion loss performance
- The 953 series connector can be field installed using the Amphenol Universal Termination Procedure (UTP) in five to seven minutes



Specifications

Connection Loss:	9/125 μm fiber 0.19 dB typical 62.5/125 μm fiber 0.13 dB typical 50/125 μm fiber 0.14 dB typical 100/140 μm fiber 0.10 dB typical
Durability:	\leq 0.10 dB change after 1000 mating cycles
Operating Temperature:	-40°C to +85°C
ST® and ST II® is a trademark of AT&T	

Intermateability

Amphenol ST connectors and adapters are optically and mechanically compatible with AT&T ST, ST II connectors and their functional equivalents.



Ordering Information

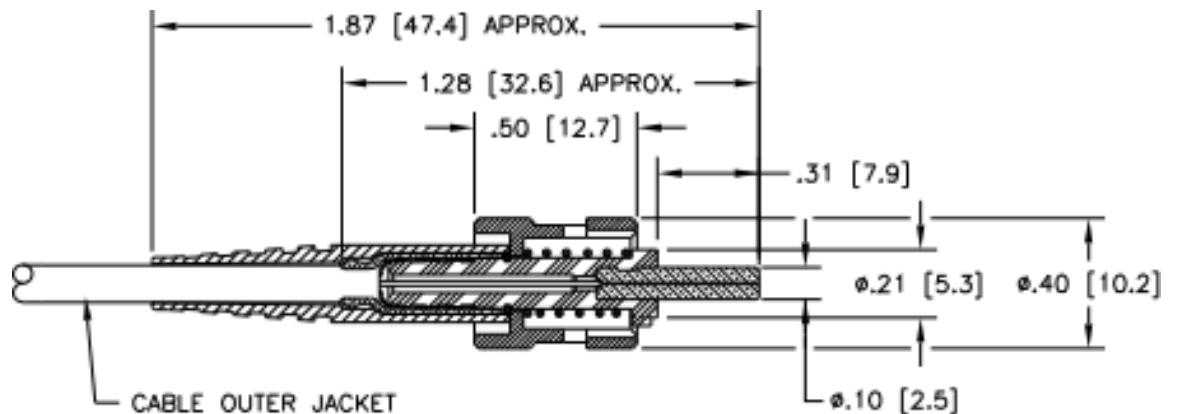
Part Number	Description	Single Mode or Multimode
953-101-5005	ST Connector, Single Mode, 125 μm Zirconia PC Ferrule, Red	sm

953-101-5006	ST Connector, Single Mode, 126 μ m Zirconia PC Ferrule, Yellow	sm
953-101-5007	ST Connector, Single Mode, 127 μ m Zirconia PC Ferrule, Green	sm
953-101-5008	ST Connector, Single Mode, 128 μ m Zirconia PC Ferrule, Blue	sm
953-101-5010	ST Connector, Multimode, 128 μ m Zirconia PC Ferrule, Black	mm
953-101-5011	ST Connector, Multimode, 144 μ m Zirconia PC Ferrule, Grey	mm

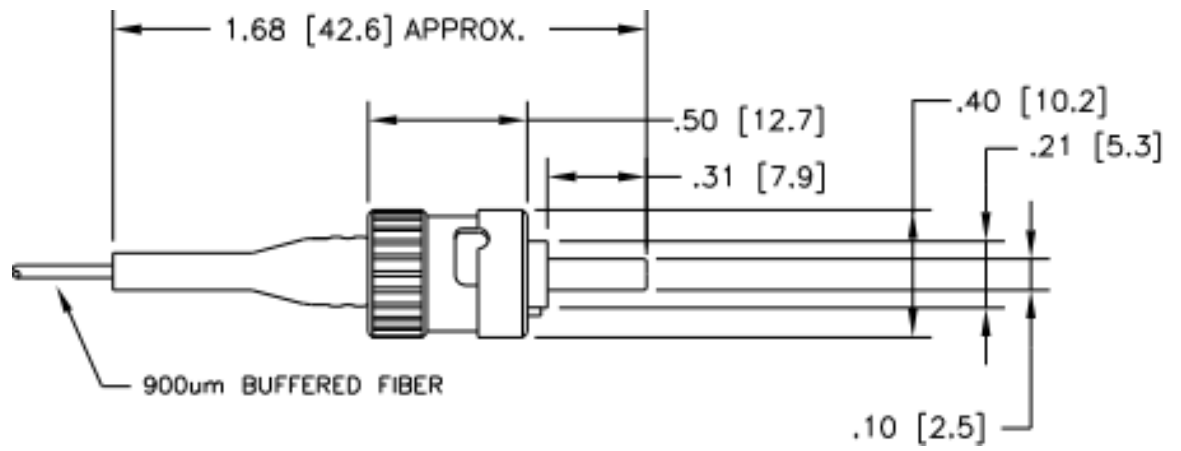


Line Drawings

ST Connector Standard Boot



ST Connector Bare Fiber Boot



Termination Procedure

[Click Here to View Termination Procedure](#)