

ADXRS150EB

GENERAL DESCRIPTION

The ADXRS150EB is a simple evaluation board that allows the user to quickly evaluate the performance of the ADXRS150ABG yaw rate gyro. No additional external components are required for operation. The ADXRS150EB has a 20-lead dual-in-line (0.3 inch width by 0.1 inch pin spacing) interface that allows the user to easily prototype products without having to deal with BGA soldering. The 0.4 square inch outline of the ADXRS150EB is still among the smallest gyros available today.

CIRCUIT DESCRIPTION

The schematic of the ADXRS150EB is shown in Figure 1. It is identical to the suggested application shown in the ADXRS150ABG data sheet.

The analog and power grounds (AGND and PGND) have separate ground planes and are joined at one point. The user may cut this trace if separate ground schemes are desired.

Note that the analog supply voltage and charge pump supply voltage (AVCC and PDD) are not connected on the ADXRS150EB and that users must connect these as appropriate to their application.

The parts layout of the ADXRS150EB is shown in Figure 2, and the parts list for the ADXRS150EB is shown in Table I. As delivered, the ADXRS150EB is set for 40 Hz bandwidth ($C_{OUT} = 22$ nF). The user may add an external capacitor to further reduce the bandwidth and improve the noise floor.

SPECIAL NOTES ON HANDLING

Note that the ADXRS150EB is not reverse polarity protected. Reversing the power supply or applying inappropriate voltages to any pin (outside the data sheet's Absolute Maximum Ratings) may damage the ADXRS150EB.

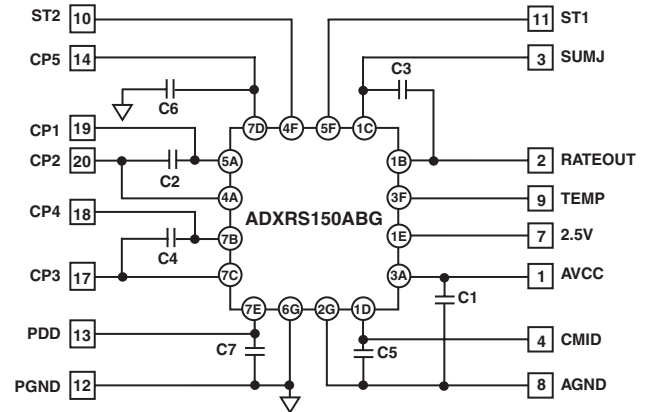


Figure 1. ADXRS150EB Schematic

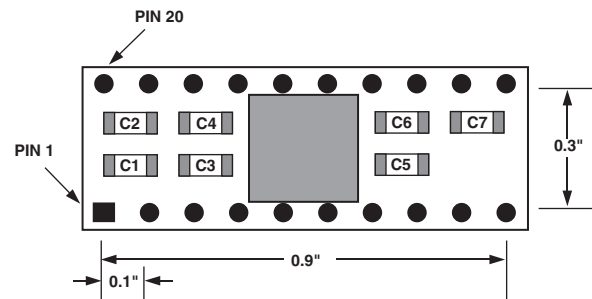


Figure 2. ADXRS150EB Parts Layout

Table I. ADXRS150EB Parts List

Component	Value (nF)
C1	100
C2	22
C3	22
C4	22
C5	100
C6	47
C7	100

REV. 0

Information furnished by Analog Devices is believed to be accurate and reliable. However, no responsibility is assumed by Analog Devices for its use, nor for any infringements of patents or other rights of third parties that may result from its use. No license is granted by implication or otherwise under any patent or patent rights of Analog Devices. Trademarks and registered trademarks are the property of their respective companies.