

Features

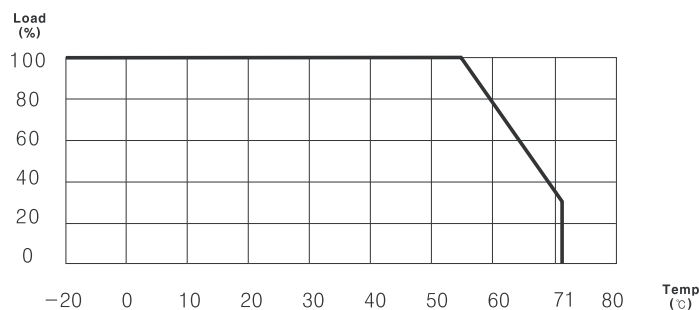
- U-Frame w/Screw Terminals
- Wide 2:1 input range
- Fully isolated
- Output voltage trimmable
- Output on/off control
- Over-current protection
- Over-voltage protection
- Six-sided EMI shielding
- Constant switching frequency
- High efficiency
- Compact size 2.25"x3.0"x0.67"
- 40°C~85°C Models available
- Din-rail mount available
- 3 year warranty



Model 1 Number	Output Power (max)	Input Voltage	Output Voltage	Output Current (max)	Ripple & Noise ² mV P-P	Efficiency (Typ.)
PTK25-D24-S3-T	19.8W	18-36VDC	3.3VDC	6.0A	100	80%
PTK25-D24-S5-T	25.0W	18-36VDC	5VDC	5.0A	100	85%
PTK25-D24-S12-T	24.0W	18-36VDC	12VDC	2.0A	120	89%
PTK25-D24-S15-T	24.0W	18-36VDC	15VDC	1.6A	150	89%
PTK25-D24-D5-T	25.0W	18-36VDC	±5VDC	2.5A	75/75	84%
PTK25-D24-D12-T	24.0W	18-36VDC	±12VDC	1.0A	120/120	88%
PTK25-D24-D15-T	24.0W	18-36VDC	±15VDC	0.8A	150/150	87%
PTK25-D48-S3-T	19.8W	36-72VDC	3.3VDC	6.0A	100	81%
PTK25-D48-S5-T	25.0W	36-72VDC	5VDC	5.0A	100	85%
PTK25-D48-S12-T	24.0W	36-72VDC	12VDC	2.0A	120	89%
PTK25-D48-S15-T	24.0W	36-72VDC	15VDC	1.6A	150	89%
PTK25-D48-D5-T	25.0W	36-72VDC	±5VDC	2.5A	75/75	84%
PTK25-D48-D12-T	24.0W	36-72VDC	±12VDC	1.0A	120/120	88%
PTK25-D48-D15-T	24.0W	36-72VDC	±15VDC	0.8A	150/150	87%

Note: 1 All models are also available in an extended temperature range of -40°C~85°C. For these models, append "M" to the model number, e.g. PTK15-Q48-S5M-T.

2 Ripple & noise measured with a 20MHz bandwidth, off a 10uF electrolytic and a 0.1uF ceramic cap in parallel at the output.

Derating Curve




Input

Parameter	Conditions/Description	Min	Nom	Max	Units
Input voltage range		18	24	36	VDC
		36	48	72	VDC
Remote on/off control	Output turn-on ³	2.5V	(open)	5.5V	
	Output turn-off	0V	(short)	0.8V	
Switching frequency	Constant		300		KHz

Note: 3 Output defaults to “on” when there is no connection to the “CNT” pin.

Output

Parameter	Conditions/Description	Min	Nom	Max	Units
Output trim range	With external trim resistors	-5%		+5%	
Set point accuracy	Single output	-2%		+2%	
	Dual output	-3%		+3%	
Line regulation (Low line to high line)	Single output models	-0.25%		+0.25%	
	Dual output models	-2.5%		+2.5%	
	Triple: main output (Vout) auxiliary outputs (+Vaux / -Vaux)	-0.25% -5%		+0.25% +5%	
Load regulation	Single output models - no load to full load	-0.25%		+0.25%	
	Dual output models - balanced loads	-2.5%		+2.5%	
	Triple: main output (Vout) auxiliary outputs(+Vaux / -Vaux) - with 10% load on Vout and balanced loads on +Vaux and -Vaux	-0.25% -5%		+0.25% +5%	
Minimum load	Converters will not be damaged if loading conditions are less than minimum specified loads, but regulation specs may not be met				
Ripple and noise					See chart

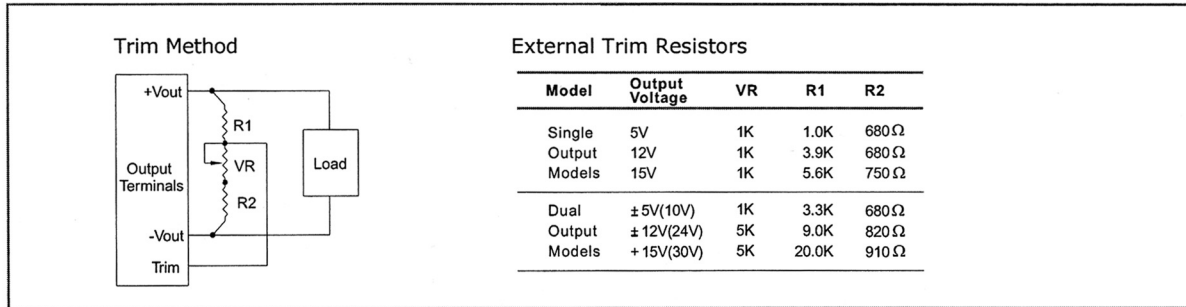
Protection

Parameter	Conditions/Description	Min	Nom	Max	Units
Over-current	Continuous auto recovery ⁴	105%		135%	
Over-voltage	Internally zener clamped ⁴	110%		140%	

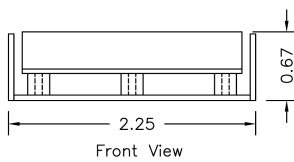
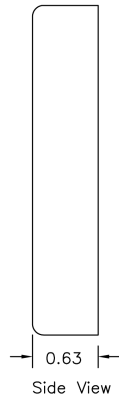
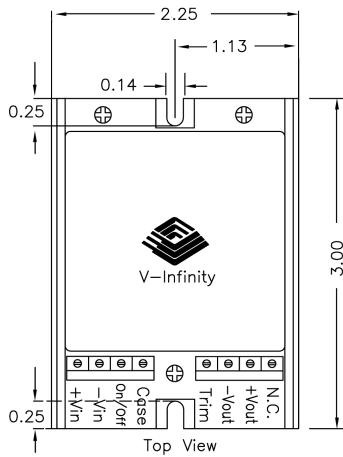
Note: 4 Continuous operation in a protected state may compromise long-term reliability.

General

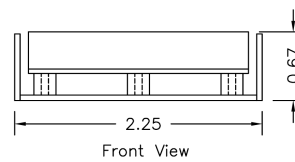
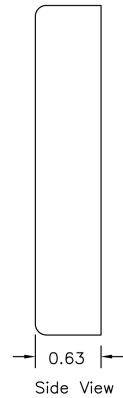
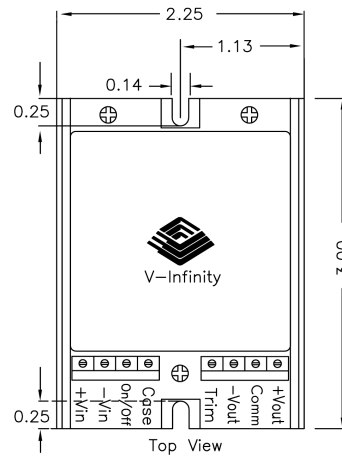
Parameter	Continuous/Description	Min	Nom	Max	Units
Efficiency	Typical at full load	77%		83%	
Dielectric withstand	Input/case, input/output, output/case	500			VAC
Insulation resistance	at 500 VDC	100M			Ohms
Agency standards	Approved to UL60950, CSA C22.2 No. 60950, TUV EN60950				
Case material			Zn		
Material flammability		94 V-0			
Weight			80 (2.82)		grams (ounces)
MTBF	MIL-HDBK-217F		450k		hours
Operating temperature	Regular models - see derating curve.	-20		+71	°C
	Extended temperature models	-40		+85	°C
Storage temperature		-40		+105	°C
Humidity	Operating(non-condensing)	5%		95%	RH



Single Output



Dual Output

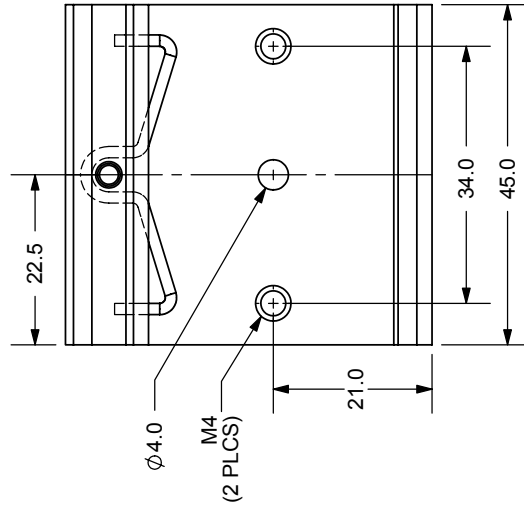
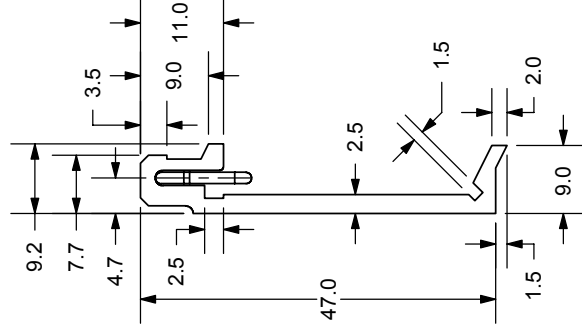
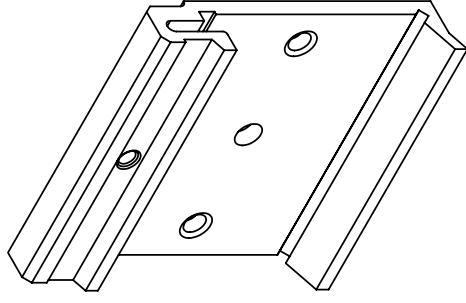


PIN Definitions

- +Vin: Input positive terminal
- Vin: Input negative terminal
- CNT: Remote On/Off control of output voltage. Referenced to -Vin
- +Vout: Main output positive terminal
- Vout: Output negative terminal
- Com: Common node for dual- or triple-output models
- Trim: For trimming output voltage on single- or dual-output models
- Case: Connected to chassis

REV.	DESCRIPTION	DATE
A	NEW DRAWING	10/13/2006

Optional DIN Rail Mounting Bracket



V-INFINITY
a division of CUJ INC

20050 SW 112th Ave.
Tualatin, OR 97062
Phone: 503-643-4899
800-275-4899
Fax: 503-372-1266
Website: www.v-infinity.com

TITLE:	DIN RAIL MOUNTING BRACKET	REV:	A
PART NO:	VDRP-03	UNITS:	MM [INCHES]
DRAWN BY:	ZRJ	APPROVED BY:	
		SCALE:	1:1