

FEATURES

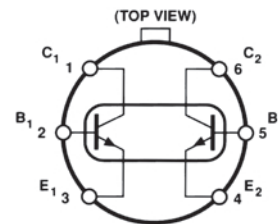
Low V_{OS} (V_{BE} Match): 40 μV typ, 100 μV max
Low TCV_{OS} : 0.5 $\mu\text{V}/^\circ\text{C}$ max
High h_{FE} : 500 min
Excellent h_{FE} Linearity from 10 nA to 10 mA
Low Noise Voltage: 0.23 μV p-p—0.1 Hz to 10 Hz
High Breakdown: 45 V min

PRODUCT DESCRIPTION

The MAT01 is a monolithic dual NPN transistor. An exclusive Silicon Nitride "Triple-Passivation" process provides excellent stability of critical parameters over both temperature and time. Matching characteristics include offset voltage of 40 μV , temperature drift of 0.15 $\mu\text{V}/^\circ\text{C}$, and h_{FE} matching of 0.7%. Very high h_{FE} is provided over a six decade range of collector current, including an exceptional h_{FE} of 590 at a collector current of only 10 nA. The high gain at low collector current makes the MAT01 ideal for use in low power, low level input stages.

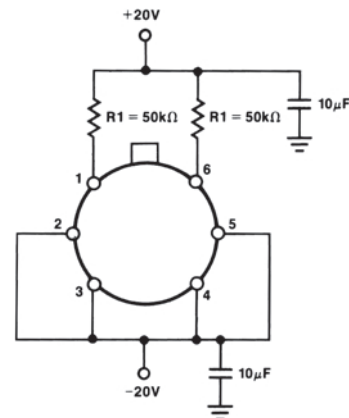
PIN CONNECTION

TO-78
 (H Suffix)



NOTE: Substrate is connected to case.

BURN-IN CIRCUIT



REV. B

Information furnished by Analog Devices is believed to be accurate and reliable. However, no responsibility is assumed by Analog Devices for its use, nor for any infringements of patents or other rights of third parties that may result from its use. No license is granted by implication or otherwise under any patent or patent rights of Analog Devices.

MAT01—SPECIFICATIONS

ELECTRICAL CHARACTERISTICS (@ $V_{CB} = 15\text{ V}$, $I_C = 10\ \mu\text{A}$, $T_A = 25^\circ\text{C}$, unless otherwise noted.)

Parameter	Symbol	Conditions	MAT01AH			MAT01GH			Unit		
			Min	Typ	Max	Min	Typ	Min			
Breakdown Voltage	BV_{CEO}	$I_C = 100\ \mu\text{A}$	45			45			V		
Offset Voltage	V_{OS}			0.04	0.1		0.10	0.5	mV		
Offset Voltage Stability	V_{OS}/Time	(Note 1)		2.0			2.0		$\mu\text{V}/\text{Mo}$		
First Month			(Note 2)		0.2			0.2		$\mu\text{V}/\text{Mo}$	
Long Term					0.1	0.6		0.2	3.2	nA	
Offset Current	I_{OS}			13	20		18	40	nA		
Bias Current	I_B			590			430				
Current Gain	h_{FE}	$I_C = 10\ \text{nA}$		500	770		250	560			
		$I_C = 10\ \mu\text{A}$			840			610			
		$I_C = 10\ \text{mA}$			0.7	3.0		1.0	8.0	%	
Current Gain Match	Δh_{FE}	$I_C = 10\ \mu\text{A}$			0.8			1.2	%		
		$100\ \text{nA} \leq I_C \leq 10\ \text{mA}$									
Low Frequency Noise	$e_n\ \text{p-p}$	0.1 Hz to 10 Hz ³		0.23	0.4		0.23	0.4	$\mu\text{V}\ \text{p-p}$		
Broadband Noise			$e_n\ \text{rms}$	1 Hz to 10 kHz		0.60			0.60		$\mu\text{V}\ \text{rms}$
Voltage	e_n	$f_O = 10\ \text{Hz}^3$				7.0	9.0		7.0	9.0	$\text{nV}/\sqrt{\text{Hz}}$
Noise Voltage					$f_O = 100\ \text{Hz}^3$		6.1	7.6		6.1	7.6
Density			$f_O = 1000\ \text{Hz}^3$		6.0	7.5		6.0	7.5	$\text{nV}/\sqrt{\text{Hz}}$	
Offset Voltage Change	$\Delta V_{OS}/\Delta V_{CB}$	$0 \leq V_{CB} \leq 30\ \text{V}$		0.5	3.0		0.8	8.0	$\mu\text{V}/\text{V}$		
Offset Current Change	$\Delta I_{OS}/\Delta V_{CB}$	$0 \leq V_{CB} \leq 30\ \text{V}$		2	15		3	70	pA/V		
Collector-Base	I_{CBO}	$V_{CB} = 30\ \text{V}$, $I_E = 0^4$		15	50		25	200	pA		
Leakage Current			I_{CES}	$V_{CE} = 30\ \text{V}$, $V_{BE} = 0^{4,5}$		50	200		90	400	pA
Collector-Emitter	I_{CC}	$V_{CC} = 30\ \text{V}^5$				20	200		30	400	pA
Leakage Current			$V_{CE(\text{SAT})}$	$I_B = 0.1\ \text{mA}$, $I_C = 1\ \text{mA}$		0.12	0.20		0.12	0.25	V
Collector-Saturation	f_T	$V_{CE} = 10\ \text{V}$, $I_C = 10\ \text{mA}$				0.8			0.8		V
Voltage			C_{OB}	$V_{CB} = 15\ \text{V}$, $I_E = 0$		450			450		MHz
Gain-Bandwidth Product	C_{CC}	$V_{CC} = 0$				2.8			2.8		pF
Output Capacitance						8.5			8.5		pF
Collector-Collector											
Capacitance											

ELECTRICAL CHARACTERISTICS (@ $V_{CB} = 15\ \text{V}$, $I_C = 10\ \mu\text{A}$, $-55^\circ\text{C} \leq T_A \leq +125^\circ\text{C}$, unless otherwise noted.)

Parameter	Symbol	Conditions	MAT01AH			MAT01GH			Unit
			Min	Typ	Max	Min	Typ	Min	
Offset Voltage	V_{OS}			0.06	0.15		0.14	0.70	mV
Average Offset	TCV_{OS}	(Note 6)		0.15	0.50		0.35	1.8	$\mu\text{V}/^\circ\text{C}$
Voltage Drift			I_{OS}		0.9	8.0		1.5	15.0
Offset Current	TCI_{OS}	(Note 7)		10	90		15	150	$\text{pA}/^\circ\text{C}$
Average Offset			I_B		28	60		36	130
Current Drift	I_{CBO}	$T_A = 125^\circ\text{C}$, $V_{CB} = 30\ \text{V}$, $I_E = 0^4$		167	400		77	300	
Bias Current			I_{CES}	$T_A = 125^\circ\text{C}$, $V_{CE} = 30\ \text{V}$, $V_{BE} = 0^{4,6}$		15	80		25
Current Gain	I_{CC}	$T_A = 125^\circ\text{C}$, $V_{CC} = 30\ \text{V}$, (Note 6)				50	300		90
Collector-Base						30	200		50
Leakage Current									
Collector-Emitter									
Leakage Current									
Collector-Collector									
Leakage Current									

TYPICAL ELECTRICAL CHARACTERISTICS (@ $V_{CB} = 15\text{ V}$ and $I_C = 10\ \mu\text{A}$, $T_A = +25^\circ\text{C}$, unless otherwise noted.)

Parameter	Symbol	Conditions	MAT01N Typical	Unit
Average Offset Voltage Drift	TCV_{OS}		0.35	$\mu\text{V}/^\circ\text{C}$
Average Offset Current Drift	TCI_{OS}		15	$\text{pA}/^\circ\text{C}$
Collector-Emitter-Leakage Current	I_{CES}	$V_{CE} = 30\text{ V}, V_{BE} = 0$	90	pA
Collector-Base-Leakage Current	I_{CBO}	$V_{CB} = 30\text{ V}, I_E = 0$	25	pA
Gain Bandwidth Product	f_T	$V_{CE} = 10\text{ V}, I_C = 10\text{ mA}$	450	MHz
Offset Voltage Stability	$\Delta V_{OS}/T$	First Month (Note 1)	2.0	$\mu\text{V}/\text{Mo}$
		Long-Term (Note 2)	0.2	$\mu\text{V}/\text{Mo}$

NOTES

¹Exclude first hour of operation to allow for stabilization.

²Parameter describes long-term average drift after first month of operation.

³Sample tested.

⁴The collector-base (I_{CBO}) and collector-emitter (I_{CES}) leakage currents may be reduced by a factor of two to ten times by connecting the substrate (package) to a potential which is lower than either collector voltage.

⁵ I_{CC} and I_{CES} are guaranteed by measurement of I_{CBO} .

⁶Guaranteed by V_{OS} test ($TCV_{OS} \equiv \frac{V_{OS}}{T}$ for $V_{OS} \ll V_{BE}$) $T = 298^\circ\text{K}$ for $T_A = 25^\circ\text{C}$.

⁷Guaranteed by I_{OS} test limits over temperature.

Specifications subject to change without notice.

MAT01

ABSOLUTE MAXIMUM RATINGS¹

Collector-Base Voltage (BV_{CBO})	
MAT01AH, GH	45 V
Collector-Emitter Voltage (BV_{CEO})	
MAT01AH, GH	45 V
Collector-Collector Voltage (BV_{CC})	
MAT01AH, GH	45 V
Emitter-Emitter Voltage (BV_{EE})	
MAT01AH, GH	45 V
Emitter-Base Voltage (BV_{EBO}) ²	5 V
Collector Current (I_C)	25 mA
Emitter Current (I_E)	25 mA
Total Power Dissipation	
Case Temperature $\leq 40^\circ\text{C}$ ³	1.8 W
Ambient Temperature $\leq 70^\circ\text{C}$ ⁴	500 mW
Operating Ambient Temperature	-55°C to $+125^\circ\text{C}$
Operating Junction Temperature	-55°C to $+150^\circ\text{C}$

Storage Temperature	-65°C to $+150^\circ\text{C}$
Lead Temperature (Soldering, 60 sec)	300°C
DICE Junction Temperature	-65°C to $+150^\circ\text{C}$

NOTES

- ¹Absolute maximum ratings apply to both DICE and packaged devices.
- ²Application of reverse bias voltages in excess of rating shown can result in degradation of h_{FE} and h_{FE} matching characteristics. Do not attempt to measure BV_{EBO} greater than the 5 V rating shown.
- ³Rating applies to applications using heat sinking to control case temperature. Derate linearity at $16.4 \text{ mW}/^\circ\text{C}$ for case temperatures above 40°C .
- ⁴Rating applies to applications not using heat sinking; device in free air only. Derate linearity at $6.3 \text{ mW}/^\circ\text{C}$ for ambient temperatures above 70°C .

ORDERING GUIDE¹

Model	$V_{OS \text{ max}}$ ($T_A = 25^\circ\text{C}$)	Temperature Range	Package Option
MAT01AH ²	0.1 mV	-55°C to $+125^\circ\text{C}$	TO-78
MAT01GH	0.5 mV	-55°C to $+125^\circ\text{C}$	TO-78

NOTES

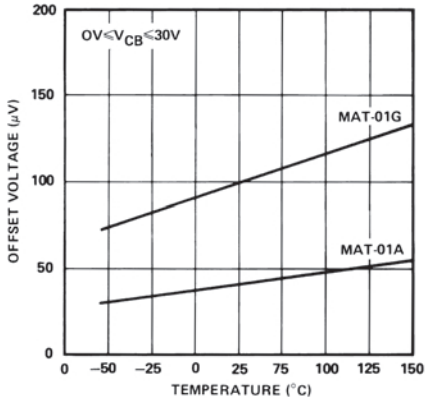
- ¹Burn-in is available on commercial and industrial temperature range parts in TO-can packages.
- ²For devices processed in total compliance to MIL-STD-883, add/883 after part number. Consult factory for 883 data sheet.

CAUTION

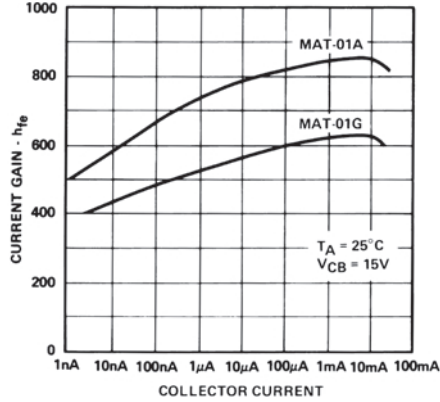
ESD (electrostatic discharge) sensitive device. Electrostatic charges as high as 4000 V readily accumulate on the human body and test equipment and can discharge without detection. Although the MAT01 features proprietary ESD protection circuitry, permanent damage may occur on devices subjected to high-energy electrostatic discharges. Therefore, proper ESD precautions are recommended to avoid performance degradation or loss of functionality.



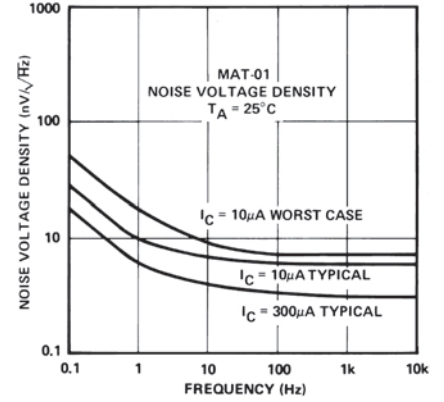
Typical Performance Characteristics—MAT01



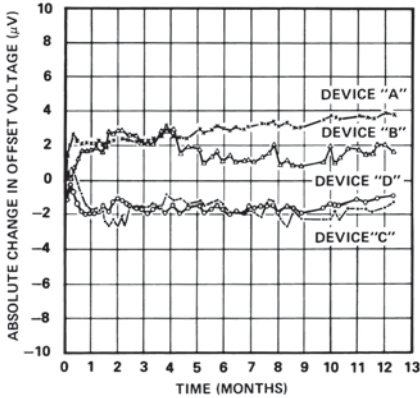
TPC 1. Offset Voltage vs. Temperature



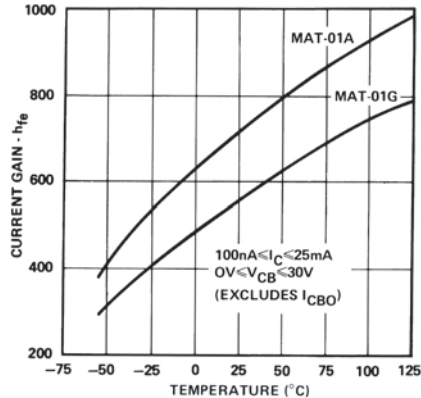
TPC 2. Offset Voltage vs. Time



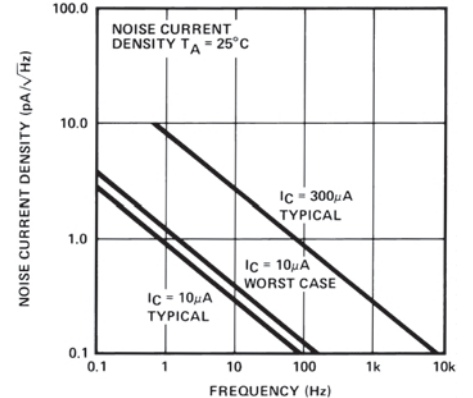
TPC 3. Base-Emitter Voltage vs. Collector Current



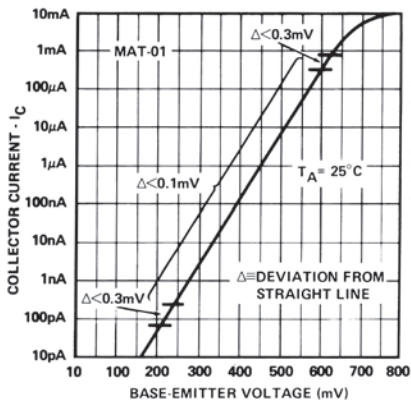
TPC 4. Current Gain vs. Collector Current



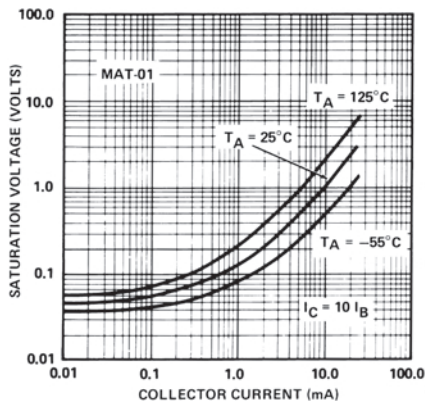
TPC 5. Current Gain vs. Temperature



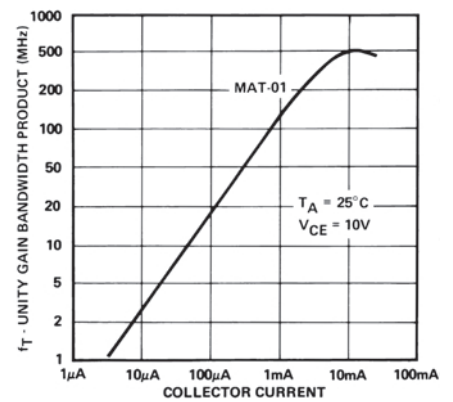
TPC 6. Saturation Voltage vs. Collector Current



TPC 7. Noise Voltage



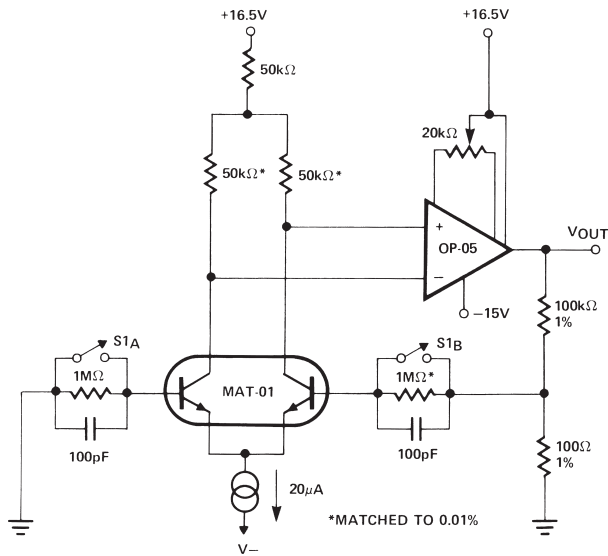
TPC 8. Noise Current Density



TPC 9. Gain-Bandwidth vs. Collector Current

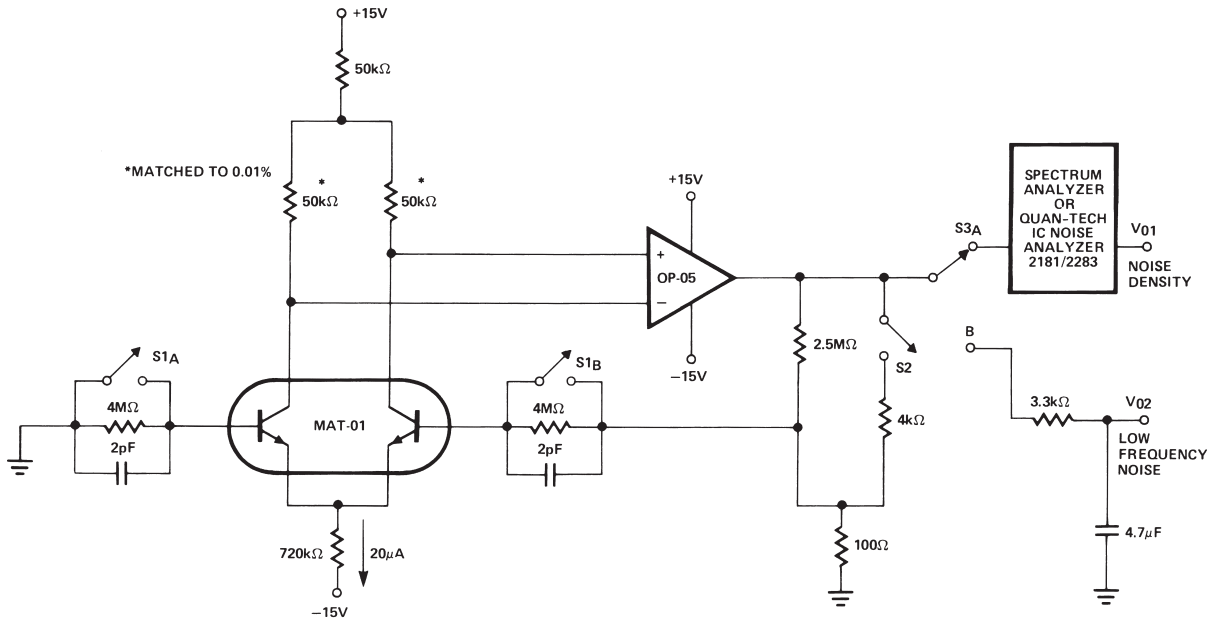
MAT01

MAT01 TEST CIRCUITS



TEST	SI _A	SI _B	UNITS
V _{OS}	X	X	V _{OUT1} 1 volt per mV
I _{OS}	O	O	V _{OUT2} - V _{OUT1} 1 volt per nA

Figure 1. MAT01 Matching Measurement Circuit



TEST	SI _A	SI _B	S ₂	S ₃	READING
Noise Voltage Density (Per Transistor)	X	X	X	A	$V_{01}/\sqrt{2}$
Noise Current Density (Per Transistor)	O	O	X	A	$V_{01}/(\sqrt{2} \times 4M\Omega)$
Low Frequency Noise (Referred to Input)	X	X	O	B	$\frac{V_{02} \text{ PEAK-TO-PEAK}}{25,000}$

Figure 2. MAT01 Noise Measurement Circuit

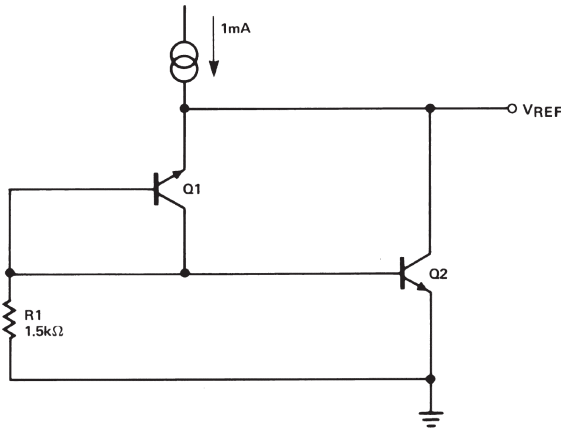
Typical Performance Characteristics—MAT01

APPLICATION NOTES

Application of reverse bias voltages to the emitter-base junctions in excess of ratings (5 V) may result in degradation of h_{FE} and h_{FE} matching characteristics. Circuit designs should be checked to ensure that reverse bias voltages above 5 V cannot be applied during such transient conditions as at circuit turn-on and turn-off.

Stray thermoelectric voltages generated by dissimilar metals at the contacts to the input terminals can prevent realization of the predicted drift performance. Both input terminals should be maintained at the same temperature, preferably close to the temperature of the device's package.

TYPICAL APPLICATIONS



$V_{REF} \approx 7.0V$
 $TCV_{REF} \approx 10ppm/^{\circ}C$
 $R_O \approx 40\Omega$
 R_1 MAY BE ADJUSTED TO MINIMIZE TCV_{REF} . INCREASING R_1 WILL CAUSE A POSITIVE CHANGE IN TCV_{REF} .
 NOTE: h_{FE} OF Q1 WILL BE REDUCED BY OPERATION OF BREAKDOWN MODE.

Figure 3. Precision Reference

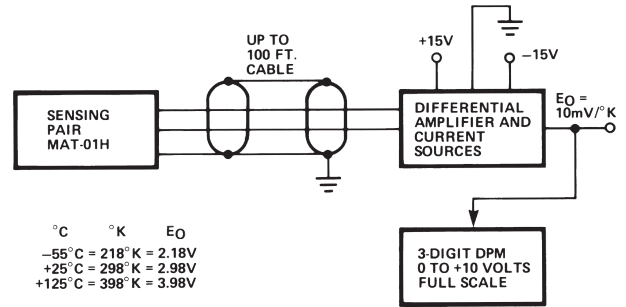


Figure 4. Basic Digital Thermometer Readout in Degrees Kelvin ($^{\circ}K$)

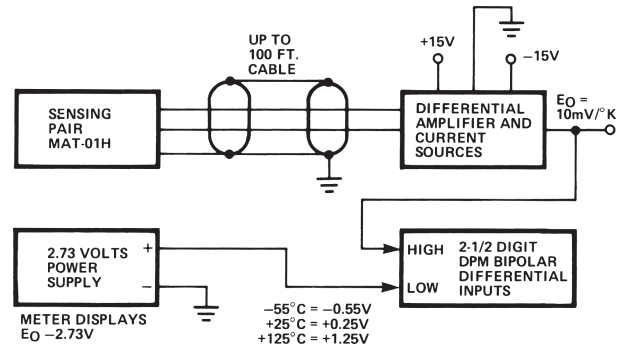


Figure 5. Digital Thermometer with Readout in $^{\circ}C$

