

T-1 3/4 (5mm)

HLMP-D150A

Red Diffused

HLMP-D155A

Red Clear with Standoff

T-100 (3mm)

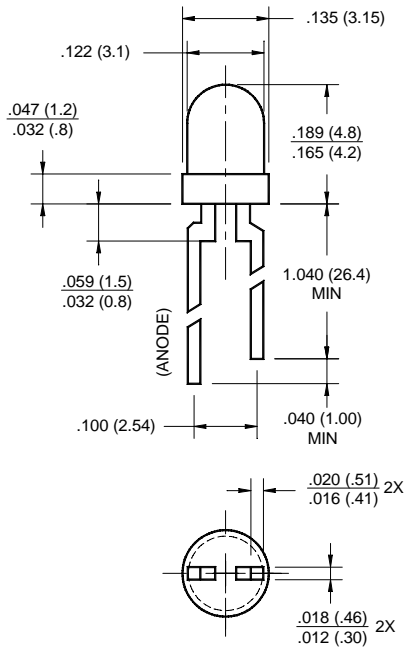
HLMP-K150

Red Diffused

HLMP-K155

Red Clear

## PACKAGE DIMENSIONS



**HLMP-K150/K155**

## FEATURES

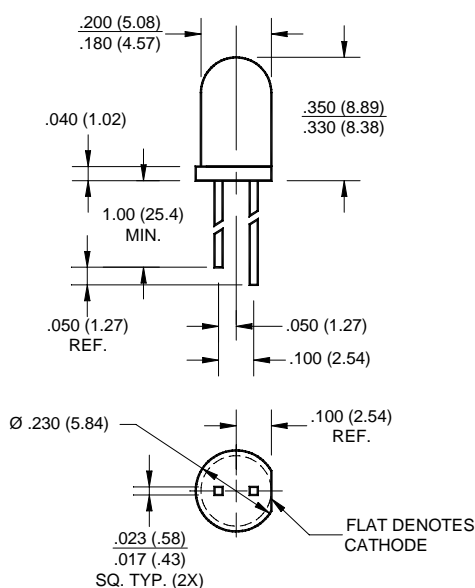
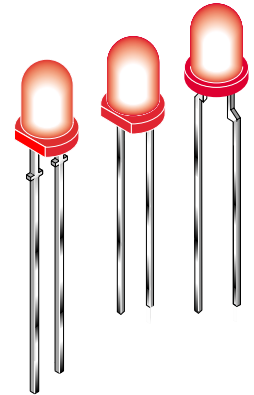
- Wide Viewing Angle
- Deep Red Color

## DESCRIPTION

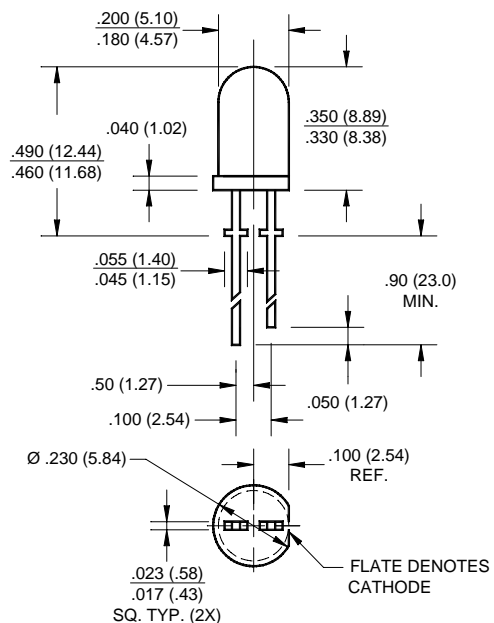
Exceptional light output typifies these devices and provides for their use over a broad range of drive currents. The LED material is based on double heterojunction (DH) AlGaAs/GaAs technology.

## NOTES:

1. ALL DIMENSIONS ARE IN INCHES (mm).
2. TOLERANCE ARE  $\pm .010$ " UNLESS OTHERWISE SPECIFIED.
3. AN EPOXY MENISCUS MAY EXTEND ABOUT .040" (1 mm) DOWN THE LEADS.



**HLMP-D150A**



**HLMP-D155A**

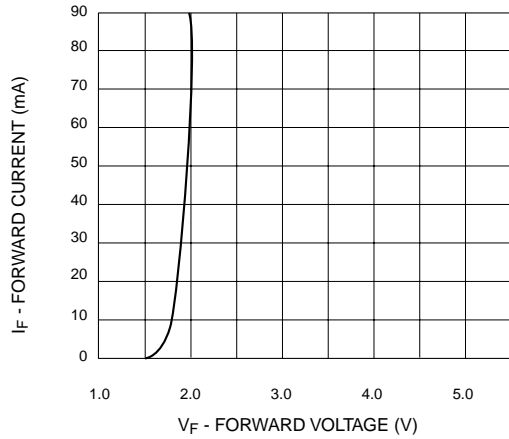
**ABSOLUTE MAXIMUM RATING** ( $T_A = 25^\circ\text{C}$ )

| Parameter                             | RED         | UNITS |
|---------------------------------------|-------------|-------|
| Power Dissipation                     | 87          | mW    |
| Peak Forward Current (f=1kHz, DF=10%) | 300         | mA    |
| Continuous DC Forward Current         | 30          | mA    |
| Lead Soldering Time at 260° C         | 5           | sec   |
| Operating Temperature                 | -20 to +100 | °C    |
| Storage Temperature                   | -55 to +100 | °C    |

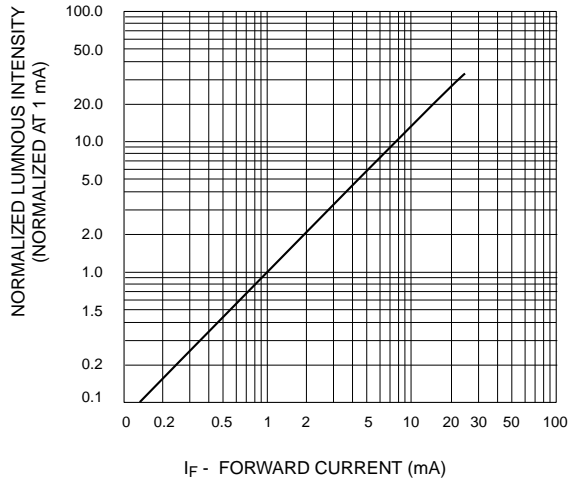
**ELECTRICAL / OPTICAL CHARACTERISTICS** ( $T_A = 25^\circ\text{C}$ )

| Parameter                | HLMP-K150 | HLMP-K155 | HLMP-D150A | HLMP-D155A | Condition              |
|--------------------------|-----------|-----------|------------|------------|------------------------|
| Luminous Intensity (mcd) |           |           |            |            | $I_F = 1\text{mA}$     |
| Minimum                  | 1.2       | 2.0       | 1.2        | 3.0        |                        |
| Typical                  | 2.0       | 3.0       | 3.0        | 10.0       |                        |
| Forward Voltage (V)      |           |           |            |            | $I_F = 1\text{mA}$     |
| Maximum                  | 1.8       | 1.8       | 1.8        | 1.8        |                        |
| Typical                  | 1.6       | 1.6       | 1.6        | 1.6        |                        |
| Peak Wavelength (nm)     | 660       | 660       | 660        | 660        | $I_F = 1\text{mA}$     |
| Spectral Line Half Width | 20        | 20        | 20         | 20         | $I_F = 1\text{mA}$     |
| Reverse Voltage (V)      | 5         | 5         | 5          | 5          | $I_R = 100\mu\text{A}$ |
| Viewing Angle (°)        | 60        | 45        | 65         | 24         | $I_F = 1\text{mA}$     |

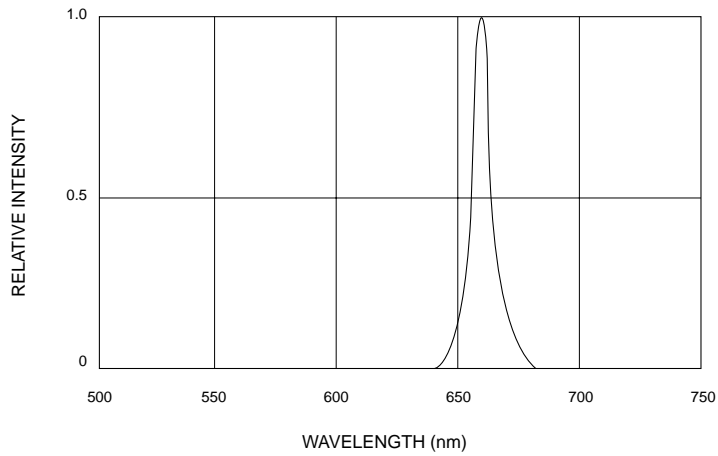
**TYPICAL PERFORMANCE CURVES ( $T_A = 25^\circ\text{C}$ )**



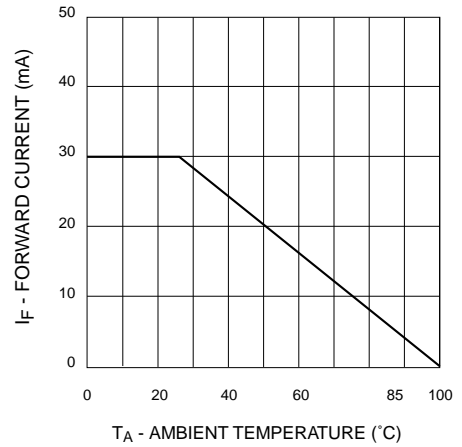
**Fig. 1 Forward Current vs. Forward Voltage**



**Fig. 2 Relative Luminous Intensity vs. DC Forward Current**

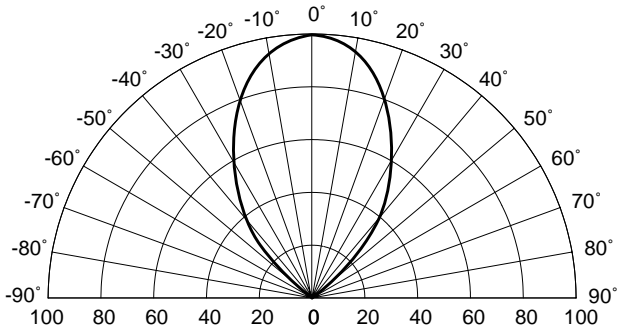


**Fig. 3 Relative Intensity vs. Peak Wavelength**



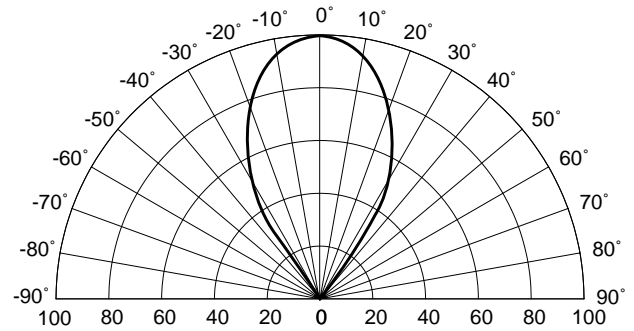
**Fig. 4 Current Derating Curve**

**TYPICAL PERFORMANCE CURVES** ( $T_A = 25^\circ\text{C}$ )



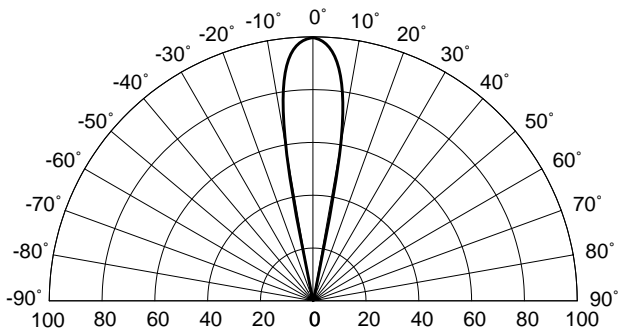
REL. LUMINOUS INTENSITY (%)

**Fig. 5A Radiation Diagram (HLMP-D150A)**



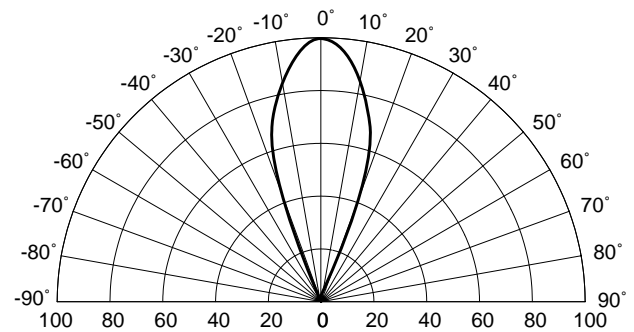
REL. LUMINOUS INTENSITY (%)

**Fig. 5B Radiation Diagram (HLMP-K150)**



REL. LUMINOUS INTENSITY (%)

**Fig. 5C Radiation Diagram (HLMP-D155A)**



REL. LUMINOUS INTENSITY (%)

**Fig. 5D Radiation Diagram (HLMP-K155)**

## **DISCLAIMER**

FAIRCHILD SEMICONDUCTOR RESERVES THE THE RIGHT TO MAKE CHANGES WITHOUT FURTHER NOTICE TO ANY PRODUCTS HEREIN TO IMPROVE RELIABILITY, FUNCTION OR DESIGN. FAIRCHILD DOES NOT ASSUME ANY LIABILITY ARISING OUT OF THE APPLICATION OR USE OF ANY PRODUCT OR CIRCUIT DESCRIBED HEREIN; NEITHER DOES IT CONVEY ANY LICENSE UNDER ITS PATENT RIGHTS, NOR THE RIGHTS OF OTHERS.

## **LIFE SUPPORT POLICY**

FAIRCHILD'S PRODUCTS ARE NOT AUTHORIZED FOR USE AS CRITICAL COMPONENTS IN LIFE SUPPORT DEVICES OR SYSTEMS WITHOUT THE EXPRESS WRITTEN APPROVAL OF THE PRESIDENT OF FAIRCHILD SEMICONDUCTOR CORPORATION. As used herein:

1. Life support devices or systems are devices or systems which, (a) are intended for surgical implant into the body, or (b) support or sustain life, and (c) whose failure to perform when properly used in accordance with instructions for use provided in labeling, can be reasonably expected to result in a significant injury of the user.
2. A critical component in any component of a life support device or system whose failure to perform can be reasonably expected to cause the failure of the life support device or system, or to affect its safety or effectiveness.