



# ST72311R, ST72511R, ST72532R

8-BIT MCU WITH NESTED INTERRUPTS, EEPROM, ADC,  
16-BIT TIMERS, 8-BIT PWM ART, SPI, SCI, CAN INTERFACES

## ■ Memories

- 16K to 60K bytes Program memory (ROM, OTP and EPROM) with read-out protection
- 256 bytes E<sup>2</sup>PROM Data memory (only on ST72532R4)
- 1024 to 2048 bytes RAM

## ■ Clock, Reset and Supply Management

- Enhanced reset system
- Low voltage supply supervisor
- Clock sources: crystal/ceramic resonator oscillator or external clock
- Beep and Clock-out capability
- 4 Power Saving Modes: Halt, Active-Halt, Wait and Slow

## ■ Interrupt Management

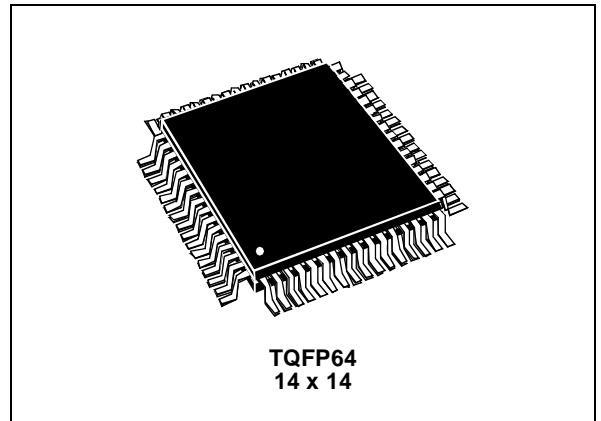
- Nested interrupt controller
- 13 interrupt vectors plus TRAP and RESET
- 15 external interrupt lines (on 4 vectors)
- TLI dedicated top level interrupt pin

## ■ 48 I/O Ports

- 48 multifunctional bidirectional I/O lines
- 32 alternate function lines
- 12 high sink outputs

## ■ 5 Timers

- Configurable watchdog timer
- Real time clock timer
- One 8-bit auto-reload timer with 4 independent PWM output channels, 2 output compares and external clock with event detector (except on ST725x2R4)



- Two 16-bit timers with: 2 input captures, 2 output compares, external clock input on one timer, PWM and Pulse generator modes

## ■ 3 Communications Interfaces

- SPI synchronous serial interface
- SCI asynchronous serial interface
- CAN interface (except on ST72311Rx)

## ■ 1 Analog peripheral

- 8-bit ADC with 8 input channels

## ■ Instruction Set

- 8-bit data manipulation
- 63 basic instructions
- 17 main addressing modes
- 8 x 8 unsigned multiply instruction
- True bit manipulation

## ■ Development Tools

- Full hardware/software development package

## Device Summary

Features	ST72T511R9	ST72T511R7	ST72T511R6	ST72T311R9	ST72T311R7	ST72T311R6	ST72T532R4
Program memory - bytes	60K	48K	32K	60K	48K	32K	16K
RAM (stack) - bytes	2048 (256)	1536 (256)	1024 (256)	2048 (256)	1536 (256)	1024 (256)	1024 (256)
EEPROM - bytes	-	-	-	-	-	-	256
Peripherals	Watchdog, two 16-bit timers, 8-bit PWM ART, SPI, SCI, CAN, ADC			Watchdog, two 16-bit timers, 8-bit PWM ART, SPI, SCI, ADC			Watchdog, two 16-bit timers, SPI, SCI, CAN, ADC
Operating Supply	3.0V to 5.5V						3.0 to 5.5V <sup>1)</sup>
CPU Frequency	2 to 8 MHz (with 4 to 16 MHz oscillator)						2 to 4 MHz <sup>1)</sup>
Operating Temperature	-40°C to +85°C (-40°C to +105/125°C optional)						
Packages	TQFP64						

**Note 1.** See [Section 12.3.1 on page 119](#) for more information on  $V_{DD}$  versus  $f_{OSC}$ .

Rev. 2.7

---

# Table of Contents

---

<b>1 GENERAL DESCRIPTION</b>	<b>6</b>
1.1 INTRODUCTION	6
1.2 PIN DESCRIPTION	7
1.3 REGISTER & MEMORY MAP	11
<b>2 EPROM PROGRAM MEMORY</b>	<b>15</b>
<b>3 DATA EEPROM</b>	<b>16</b>
3.1 INTRODUCTION	16
3.2 MAIN FEATURES	16
3.3 MEMORY ACCESS	17
3.4 POWER SAVING MODES	18
3.5 ACCESS ERROR HANDLING	18
3.6 REGISTER DESCRIPTION	19
<b>4 CENTRAL PROCESSING UNIT</b>	<b>20</b>
4.1 INTRODUCTION	20
4.2 MAIN FEATURES	20
4.3 CPU REGISTERS	20
<b>5 SUPPLY, RESET AND CLOCK MANAGEMENT</b>	<b>23</b>
5.1 LOW VOLTAGE DETECTOR (LVD)	24
5.2 RESET SEQUENCE MANAGER (RSM)	25
5.2.1 Introduction	25
5.2.2 Asynchronous External RESET pin	26
5.2.3 Internal Low Voltage Detection RESET	26
5.2.4 Internal Watchdog RESET	26
5.3 LOW CONSUMPTION OSCILLATOR	27
<b>6 INTERRUPTS</b>	<b>28</b>
6.1 INTRODUCTION	28
6.2 MASKING AND PROCESSING FLOW	28
6.3 INTERRUPTS AND LOW POWER MODES	30
6.4 CONCURRENT & NESTED MANAGEMENT	30
6.5 INTERRUPT REGISTER DESCRIPTION	31
<b>7 POWER SAVING MODES</b>	<b>34</b>
7.1 INTRODUCTION	34
7.2 SLOW MODE	34
7.3 WAIT MODE	35
7.4 ACTIVE-HALT AND HALT MODES	36
7.4.1 ACTIVE-HALT MODE	36
7.4.2 HALT MODE	37
<b>8 I/O PORTS</b>	<b>38</b>
8.1 INTRODUCTION	38
8.2 FUNCTIONAL DESCRIPTION	38
8.2.1 Input Modes	38
8.2.2 Output Modes	38
8.2.3 Alternate Functions	38

---

# Table of Contents

---

8.3	I/O PORT IMPLEMENTATION	41
8.4	LOW POWER MODES	42
8.5	INTERRUPTS	42
8.5.1	Register Description	43
<b>9</b>	<b>MISCELLANEOUS REGISTERS</b>	<b>45</b>
9.1	I/O PORT INTERRUPT SENSITIVITY	45
9.2	I/O PORT ALTERNATE FUNCTIONS	45
9.3	MISCELLANEOUS REGISTERS	46
<b>10</b>	<b>ON-CHIP PERIPHERALS</b>	<b>49</b>
10.1	WATCHDOG TIMER (WDG)	49
10.1.1	Introduction	49
10.1.2	Main Features	49
10.1.3	Functional Description	49
10.1.4	Hardware Watchdog Option	50
10.1.5	Low Power Modes	50
10.1.6	Interrupts	50
10.1.7	Register Description	50
10.2	MAIN CLOCK CONTROLLER WITH REAL TIME CLOCK TIMER (MCC/RTC)	52
10.2.1	Programmable CPU Clock Prescaler	52
10.2.2	Clock-out Capability	52
10.2.3	Real Time Clock Timer (RTC)	52
10.2.4	Register Description	53
10.2.5	Low Power Modes	53
10.2.6	Interrupts	53
10.3	PWM AUTO-RELOAD TIMER (ART)	54
10.3.1	Introduction	54
10.3.2	Functional Description	55
10.3.3	Register Description	58
10.4	16-BIT TIMER	61
10.4.1	Introduction	61
10.4.2	Main Features	61
10.4.3	Functional Description	61
10.4.4	Low Power Modes	73
10.4.5	Interrupts	73
10.4.6	Summary of Timer modes	73
10.4.7	Register Description	74
10.5	SERIAL PERIPHERAL INTERFACE (SPI)	79
10.5.1	Introduction	79
10.5.2	Main Features	79
10.5.3	General description	79
10.5.4	Functional Description	81
10.5.5	Low Power Modes	88
10.5.6	Interrupts	88
10.5.7	Register Description	89
10.6	SERIAL COMMUNICATIONS INTERFACE (SCI)	92
10.6.1	Introduction	92

---

# Table of Contents

---

10.6.2	Main Features	92
10.6.3	General Description	92
10.6.4	LIN Protocol support	92
10.6.5	Functional Description	94
10.6.6	Low Power Modes	99
10.6.7	Interrupts	99
10.6.8	Register Description	100
10.7	8-BIT A/D CONVERTER (ADC)	107
10.7.1	Introduction	107
10.7.2	Main Features	107
10.7.3	Functional Description	107
10.7.4	Low Power Modes	108
10.7.5	Interrupts	108
10.7.6	Register Description	109
<b>11</b>	<b>INSTRUCTION SET</b>	<b>111</b>
11.1	ST7 ADDRESSING MODES	111
11.1.1	Inherent	112
11.1.2	Immediate	112
11.1.3	Direct	112
11.1.4	Indexed (No Offset, Short, Long)	112
11.1.5	Indirect (Short, Long)	112
11.1.6	Indirect Indexed (Short, Long)	113
11.1.7	Relative mode (Direct, Indirect)	113
11.2	INSTRUCTION GROUPS	114
<b>12</b>	<b>ELECTRICAL CHARACTERISTICS</b>	<b>117</b>
12.1	PARAMETER CONDITIONS	117
12.1.1	Minimum and Maximum values	117
12.1.2	Typical values	117
12.1.3	Typical curves	117
12.1.4	Loading capacitor	117
12.1.5	Pin input voltage	117
12.2	ABSOLUTE MAXIMUM RATINGS	118
12.2.1	Voltage Characteristics	118
12.2.2	Current Characteristics	118
12.2.3	Thermal Characteristics	118
12.3	OPERATING CONDITIONS	119
12.3.1	General Operating Conditions	119
12.3.2	Operating Conditions with Low Voltage Detector (LVD)	120
12.4	SUPPLY CURRENT CHARACTERISTICS	121
12.4.1	RUN and SLOW Modes	121
12.4.2	WAIT and SLOW WAIT Modes	122
12.4.3	HALT and ACTIVE-HALT Modes	123
12.4.4	Supply and Clock Managers	123
12.4.5	On-Chip Peripheral	123
12.5	CLOCK AND TIMING CHARACTERISTICS	124
12.5.1	General Timings	124
12.5.2	External Clock Source	124

---

# Table of Contents

---

12.5.3 Crystal and Ceramic Resonator Oscillators .....	124
<b>12.6 MEMORY CHARACTERISTICS .....</b>	<b>125</b>
12.6.1 RAM and Hardware Registers .....	125
12.6.2 EEPROM Data Memory .....	125
12.6.3 EPROM Program Memory .....	125
<b>12.7 EMC CHARACTERISTICS .....</b>	<b>126</b>
12.7.1 Functional EMS .....	126
12.7.2 Absolute Electrical Sensitivity .....	127
12.7.3 ESD Pin Protection Strategy .....	129
<b>12.8 I/O PORT PIN CHARACTERISTICS .....</b>	<b>131</b>
12.8.1 General Characteristics .....	131
12.8.2 Output Driving Current .....	132
<b>12.9 CONTROL PIN CHARACTERISTICS .....</b>	<b>133</b>
12.9.1 Asynchronous RESET Pin .....	133
12.9.2 VPP Pin .....	133
<b>12.10 TIMER PERIPHERAL CHARACTERISTICS .....</b>	<b>134</b>
12.10.1 Watchdog Timer .....	134
12.10.28-Bit PWM-ART Auto-Reload Timer .....	134
12.10.316-Bit Timer .....	134
<b>12.11 COMMUNICATIONS INTERFACE CHARACTERISTICS .....</b>	<b>135</b>
12.11.1 SPI - Serial Peripheral Interface .....	135
12.11.2 SCI - Serial Communications Interface .....	137
12.11.3 CAN - Controller Area Network Interface .....	137
<b>12.12 8-BIT ADC CHARACTERISTICS .....</b>	<b>138</b>
<b>13 PACKAGE CHARACTERISTICS .....</b>	<b>140</b>
13.1 PACKAGE MECHANICAL DATA .....	140
13.2 THERMAL CHARACTERISTICS .....	142
13.3 SOLDERING AND GLUEABILITY INFORMATION .....	143
<b>14 DEVICE CONFIGURATION AND ORDERING INFORMATION .....</b>	<b>144</b>
14.1 OPTION BYTES .....	144
14.2 DEVICE ORDERING INFORMATION AND TRANSFER OF CUSTOMER CODE ....	145
14.3 DEVELOPMENT TOOLS .....	147
14.3.1 Package/socket Footprint Proposal .....	148
14.4 ST7 APPLICATION NOTES .....	149
<b>15 SUMMARY OF CHANGES .....</b>	<b>151</b>

# 1 GENERAL DESCRIPTION

## 1.1 INTRODUCTION

The ST72311R, ST72511R, and ST72532R devices are members of the ST7 microcontroller family. They can be grouped as follows:

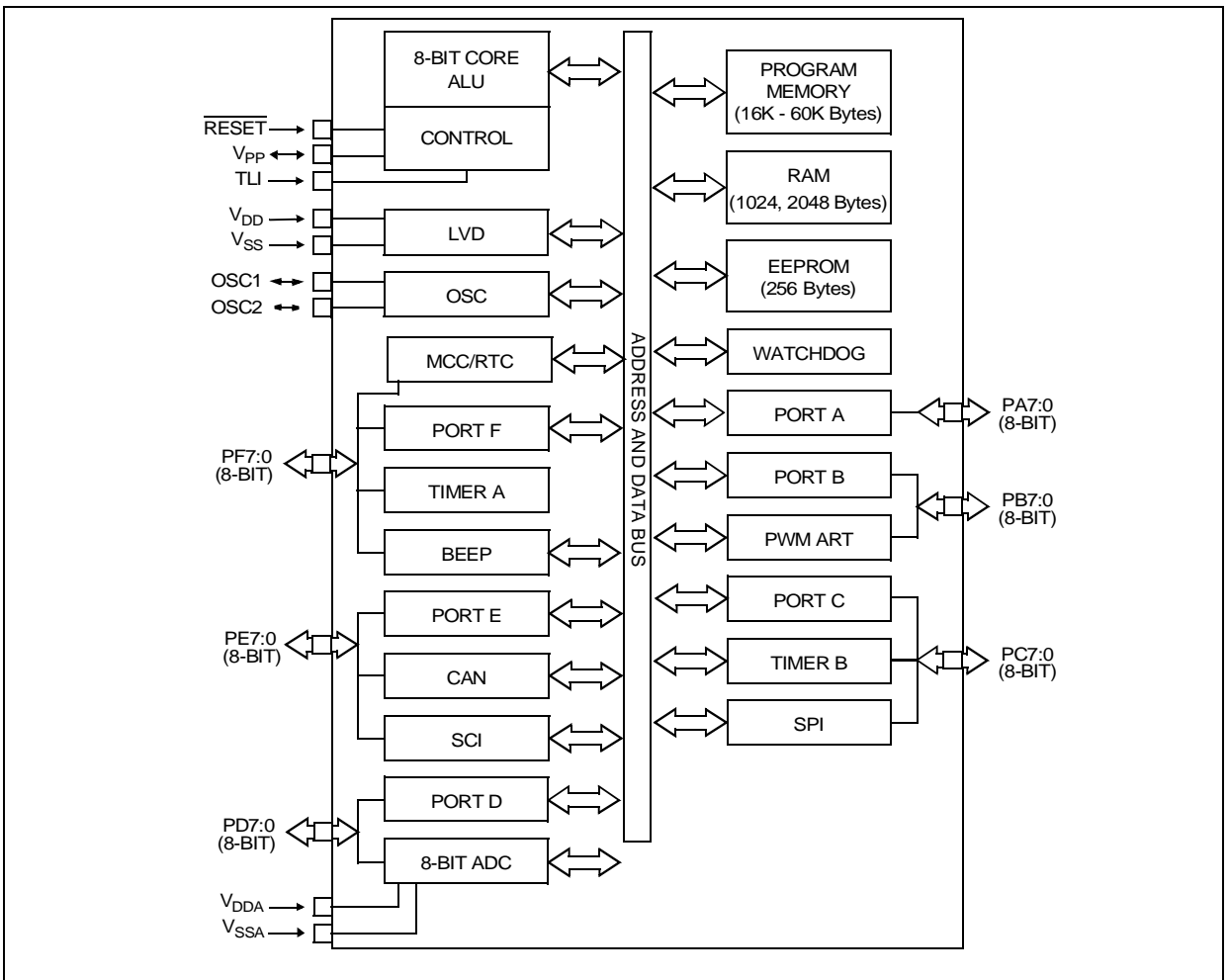
- ST725xxR devices are designed for mid-range applications with a CAN bus interface (Controller Area Network). These devices are available in OTP and EPROM versions only.
- ST72311R devices target the same range of applications but without the CAN interface. These devices are available in ROM, OTP and EPROM versions.

All devices are based on a common industry-standard 8-bit core, featuring an enhanced instruction set.

Under software control, all devices can be placed in WAIT, SLOW, ACTIVE-HALT or HALT mode, reducing power consumption when the application is in idle or standby state.

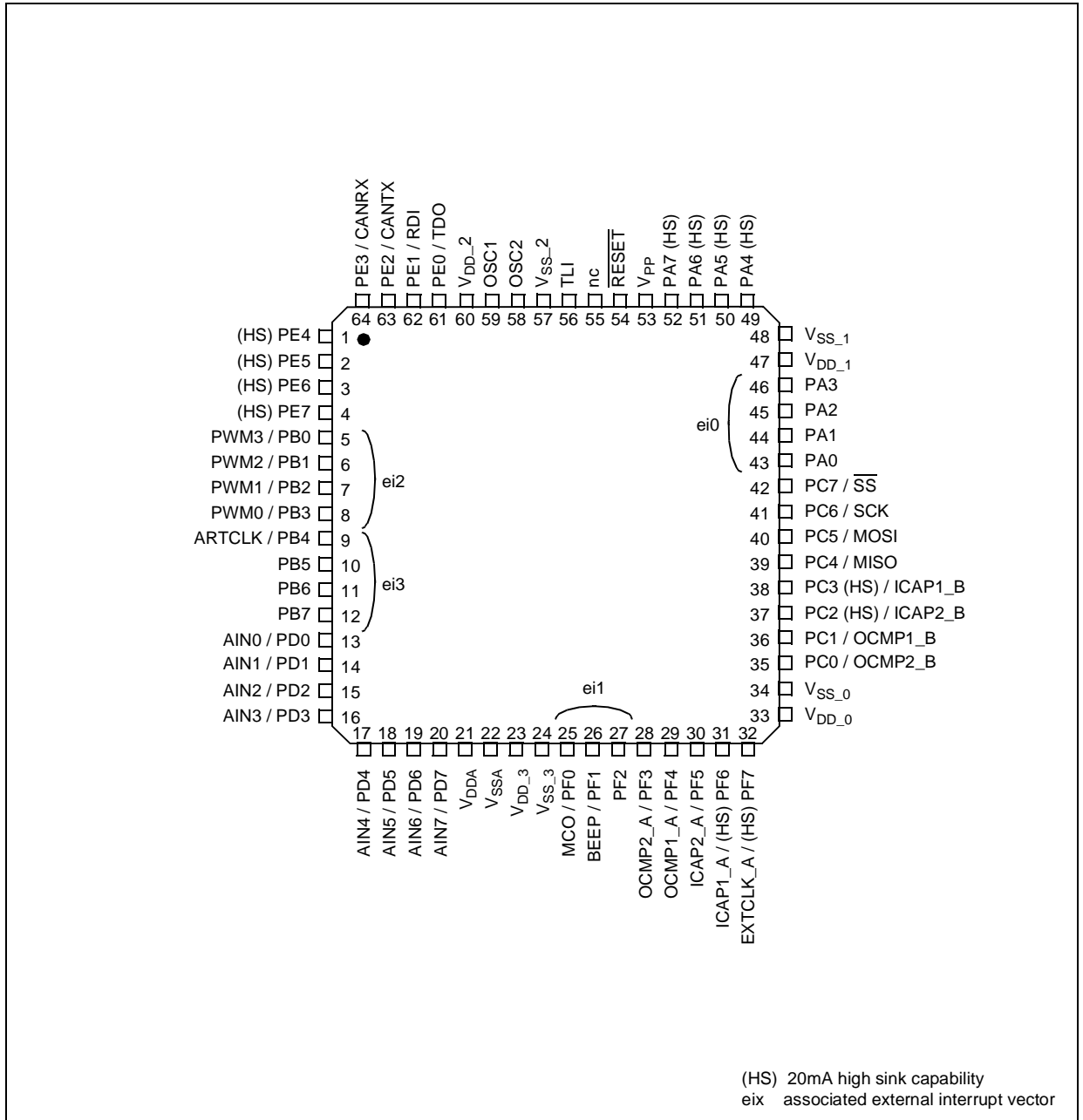
The enhanced instruction set and addressing modes of the ST7 offer both power and flexibility to software developers, enabling the design of highly efficient and compact application code. In addition to standard 8-bit data management, all ST7 microcontrollers feature true bit manipulation, 8x8 unsigned multiplication and indirect addressing modes.

Figure 1. Device Block Diagram



1.2 PIN DESCRIPTION

Figure 2. 64-Pin TQFP Package Pinout



**PIN DESCRIPTION** (Cont'd)

For external pin connection guidelines, refer to [Section 12 "ELECTRICAL CHARACTERISTICS"](#) on page 117.

**Legend / Abbreviations for Table 1:**

Type: I = input, O = output, S = supply

Input level: A = Dedicated analog input

In/Output level: C = CMOS 0.3V<sub>DD</sub>/0.7V<sub>DD</sub>,  
C<sub>T</sub> = CMOS 0.3V<sub>DD</sub>/0.7V<sub>DD</sub> with input trigger

Output level: HS = 20mA high sink (on N-buffer only)

Port and control configuration:

- Input: float = floating, wpu = weak pull-up, int = interrupt <sup>1)</sup>, ana = analog
- Output: OD = open drain <sup>2)</sup>, PP = push-pull

Refer to [Section 8 "I/O PORTS"](#) on page 38 for more details on the software configuration of the I/O ports.

The RESET configuration of each pin is shown in bold. This configuration is valid as long as the device is in reset state.

**Table 1. Device Pin Description**

Pin n°	Pin Name	Type	Level		Port						Main function (after reset)	Alternate function	
			Input	Output	Input				Output				
					float	wpu	int	ana	OD	PP			
1	PE4 (HS)	I/O	C <sub>T</sub>	HS	X	X				X	X	Port E4	
2	PE5 (HS)	I/O	C <sub>T</sub>	HS	X	X				X	X	Port E5	
3	PE6 (HS)	I/O	C <sub>T</sub>	HS	X	X				X	X	Port E6	
4	PE7 (HS)	I/O	C <sub>T</sub>	HS	X	X				X	X	Port E7	
5	PB0/PWM3	I/O	C <sub>T</sub>	X		ei2				X	X	Port B0	PWM Output 3
6	PB1/PWM2	I/O	C <sub>T</sub>	X		ei2				X	X	Port B1	PWM Output 2
7	PB2/PWM1	I/O	C <sub>T</sub>	X		ei2				X	X	Port B2	PWM Output 1
8	PB3/PWM0	I/O	C <sub>T</sub>	X			ei2			X	X	Port B3	PWM Output 0
9	PB4/ARTCLK	I/O	C <sub>T</sub>	X			ei3			X	X	Port B4	PWM-ART External Clock
10	PB5	I/O	C <sub>T</sub>	X			ei3			X	X	Port B5	
11	PB6	I/O	C <sub>T</sub>	X			ei3			X	X	Port B6	
12	PB7	I/O	C <sub>T</sub>	X			ei3			X	X	Port B7	
13	PD0/AIN0	I/O	C <sub>T</sub>	X	X			X	X	X	X	Port D0	ADC Analog Input 0
14	PD1/AIN1	I/O	C <sub>T</sub>	X	X			X	X	X	X	Port D1	ADC Analog Input 1
15	PD2/AIN2	I/O	C <sub>T</sub>	X	X			X	X	X	X	Port D2	ADC Analog Input 2
16	PD3/AIN3	I/O	C <sub>T</sub>	X	X			X	X	X	X	Port D3	ADC Analog Input 3
17	PD4/AIN4	I/O	C <sub>T</sub>	X	X			X	X	X	X	Port D4	ADC Analog Input 4
18	PD5/AIN5	I/O	C <sub>T</sub>	X	X			X	X	X	X	Port D5	ADC Analog Input 5
19	PD6/AIN6	I/O	C <sub>T</sub>	X	X			X	X	X	X	Port D6	ADC Analog Input 6
20	PD7/AIN7	I/O	C <sub>T</sub>	X	X			X	X	X	X	Port D7	ADC Analog Input 7
21	V <sub>DDA</sub>	S											Analog Power Supply Voltage
22	V <sub>SSA</sub>	S											Analog Ground Voltage
23	V <sub>DD_3</sub>	S											Digital Main Supply Voltage



Pin n°	Pin Name	Type	Level		Port						Main function (after reset)	Alternate function
			Input	Output	Input				Output			
					float	wpu	int	ana	OD	PP		
24	V <sub>SS_3</sub>	S										Digital Ground Voltage
25	PF0/MCO	I/O	C <sub>T</sub>	X	X	ei1			X	X	Port F0	Main clock output (f <sub>OSC</sub> /2)
26	PF1/BEEP	I/O	C <sub>T</sub>	X	X	ei1			X	X	Port F1	Beep signal output
27	PF2	I/O	C <sub>T</sub>	X		ei1			X	X	Port F2	
28	PF3/OCMP2_A	I/O	C <sub>T</sub>	X	X				X	X	Port F3	Timer A Output Compare 2
29	PF4/OCMP1_A	I/O	C <sub>T</sub>	X	X				X	X	Port F4	Timer A Output Compare 1
30	PF5/ICAP2_A	I/O	C <sub>T</sub>	X	X				X	X	Port F5	Timer A Input Capture 2
31	PF6 (HS)/ICAP1_A	I/O	C <sub>T</sub>	HS	X	X			X	X	Port F6	Timer A Input Capture 1
32	PF7 (HS)/EXTCLK_A	I/O	C <sub>T</sub>	HS	X	X			X	X	Port F7	Timer A External Clock Source
33	V <sub>DD_0</sub>	S										Digital Main Supply Voltage
34	V <sub>SS_0</sub>	S										Digital Ground Voltage
35	PC0/OCMP2_B	I/O	C <sub>T</sub>	X	X				X	X	Port C0	Timer B Output Compare 2
36	PC1/OCMP1_B	I/O	C <sub>T</sub>	X	X				X	X	Port C1	Timer B Output Compare 1
37	PC2 (HS)/ICAP2_B	I/O	C <sub>T</sub>	HS	X	X			X	X	Port C2	Timer B Input Capture 2
38	PC3 (HS)/ICAP1_B	I/O	C <sub>T</sub>	HS	X	X			X	X	Port C3	Timer B Input Capture 1
39	PC4/MISO	I/O	C <sub>T</sub>	X	X				X	X	Port C4	SPI Master In / Slave Out Data
40	PC5/MOSI	I/O	C <sub>T</sub>	X	X				X	X	Port C5	SPI Master Out / Slave In Data
41	PC6/SCK	I/O	C <sub>T</sub>	X	X				X	X	Port C6	SPI Serial Clock
42	PC7/ $\overline{SS}$	I/O	C <sub>T</sub>	X	X				X	X	Port C7	SPI Slave Select (active low)
43	PA0	I/O	C <sub>T</sub>	X	X	ei0			X	X	Port A0	
44	PA1	I/O	C <sub>T</sub>	X	X	ei0			X	X	Port A1	
45	PA2	I/O	C <sub>T</sub>	X	X	ei0			X	X	Port A2	
46	PA3	I/O	C <sub>T</sub>	X	X	ei0			X	X	Port A3	
47	V <sub>DD_1</sub>	S										Digital Main Supply Voltage
48	V <sub>SS_1</sub>	S										Digital Ground Voltage
49	PA4 (HS)	I/O	C <sub>T</sub>	HS	X	X			X	X	Port A4	
50	PA5 (HS)	I/O	C <sub>T</sub>	HS	X	X			X	X	Port A5	
51	PA6 (HS)	I/O	C <sub>T</sub>	HS	X				T		Port A6	
52	PA7 (HS)	I/O	C <sub>T</sub>	HS	X				T		Port A7	
53	V <sub>PP</sub>	I										Must be tied low in user mode. In programming mode when available, this pin acts as the programming voltage input V <sub>PP</sub> .
54	$\overline{RESET}$	I/O	C			X				X		Top priority non maskable interrupt (active low)
55	NC	Not Connected										
56	NMI	I	C <sub>T</sub>		X							Non maskable interrupt input pin
57	V <sub>SS_3</sub>	S										Digital Ground Voltage
58	OSC2 <sup>3)</sup>	I/O										External clock mode input pull-up or crystal/ceramic resonator oscillator inverter output
59	OSC1 <sup>3)</sup>	I										External clock input or crystal/ceramic resonator oscillator inverter input
60	V <sub>DD_3</sub>	S										Digital Main Supply Voltage

Pin n° TQFP64	Pin Name	Type	Level		Port						Main function (after reset)	Alternate function
			Input	Output	Input				Output			
					float	wpu	int	ana	OD	PP		
61	PE0/TDO	I/O	C <sub>T</sub>	X	X				X	X	Port E0	SCI Transmit Data Out
62	PE1/RDI	I/O	C <sub>T</sub>	X	X				X	X	Port E1	SCI Receive Data In
63	PE2/CANTX	I/O	C <sub>T</sub>		X						Port E2	CAN Transmit Data Output
64	PE3/CANRX	I/O	C <sub>T</sub>	X	X				X	X	Port E3	CAN Receive Data Input

**Notes:**

1. In the interrupt input column, “eiX” defines the associated external interrupt vector. If the weak pull-up column (wpu) is merged with the interrupt column (int), then the I/O configuration is pull-up interrupt input, else the configuration is floating interrupt input.
2. In the open drain output column, “T” defines a true open drain I/O (P-Buffer and protection diode to V<sub>DD</sub> are not implemented). See [Section 8 "I/O PORTS" on page 38](#) and [Section 12.8 "I/O PORT PIN CHARACTERISTICS" on page 131](#) for more details.
3. OSC1 and OSC2 pins connect a crystal/ceramic resonator or an external source to the on-chip oscillator see [Section 1.2 "PIN DESCRIPTION" on page 7](#) and [Section 12.5 "CLOCK AND TIMING CHARACTERISTICS" on page 124](#) for more details.

### 1.3 REGISTER & MEMORY MAP

As shown in the [Figure 3](#), the MCU is capable of addressing 64K bytes of memories and I/O registers.

The available memory locations consist of 128 bytes of register location, up to 2Kbytes of RAM, up to 256 bytes of data EEPROM and up to

60Kbytes of user program memory. The RAM space includes up to 256 bytes for the stack from 0100h to 01FFh.

The highest address bytes contain the user reset and interrupt vectors.

**Figure 3. Memory Map**

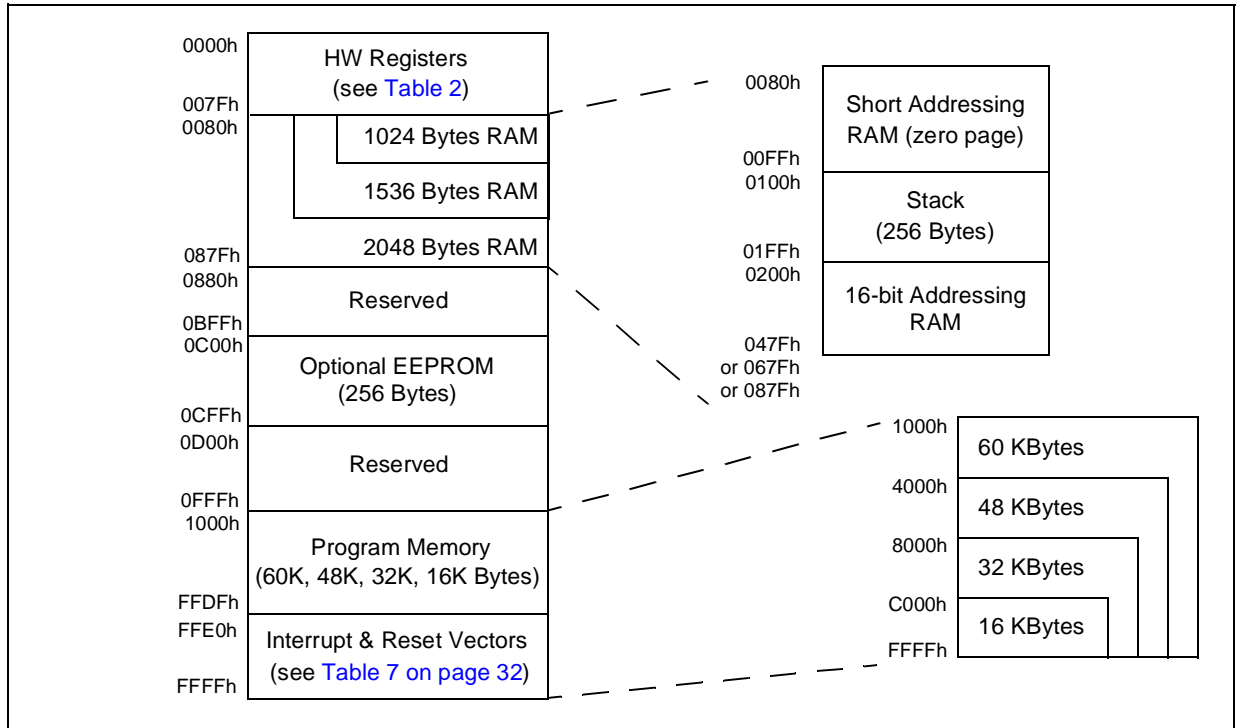


Table 2. Hardware Register Map

Address	Block	Register Label	Register Name	Reset Status	Remarks
0000h 0001h 0002h	Port A	PADR	Port A Data Register	00h <sup>1)</sup>	R/W
		PADDR	Port A Data Direction Register	00h	R/W
		PAOR	Port A Option Register	00h	R/W <sup>2)</sup>
0003h	Reserved Area (1 Byte)				
0004h 0005h 0006h	Port C	PCDR	Port C Data Register	00h <sup>1)</sup>	R/W
		PCDDR	Port C Data Direction Register	00h	R/W
		PCOR	Port C Option Register	00h	R/W
0007h	Reserved Area (1 Byte)				
0008h 0009h 000Ah	Port B	PBDR	Port B Data Register	00h <sup>1)</sup>	R/W
		PBDDR	Port B Data Direction Register	00h	R/W
		PBOR	Port B Option Register	00h	R/W
000Bh	Reserved Area (1 Byte)				
000Ch 000Dh 000Eh	Port E	PEDR	Port E Data Register	00h <sup>1)</sup>	R/W
		PEDDR	Port E Data Direction Register	00h	R/W <sup>2)</sup>
		PEOR	Port E Option Register	00h	R/W <sup>2)</sup>
000Fh	Reserved Area (1 Byte)				
0010h 0011h 0012h	Port D	PDDR	Port D Data Register	00h <sup>1)</sup>	R/W
		PDDDR	Port D Data Direction Register	00h	R/W
		PDOR	Port D Option Register	00h	R/W
0013h	Reserved Area (1 Byte)				
0014h 0015h 0016h	Port F	PFDR	Port F Data Register	00h <sup>1)</sup>	R/W
		PFDDR	Port F Data Direction Register	00h	R/W
		PFOR	Port F Option Register	00h	R/W
0017h to 001Fh	Reserved Area (9 Bytes)				
0020h		MISCR1	Miscellaneous Register 1	00h	R/W
0021h 0022h 0023h	SPI	SPIDR	SPI Data I/O Register	xxh <sup>1)</sup>	R/W
		SPICR	SPI Control Register	0xh	R/W
		SPISR	SPI Status Register	00h	Read Only
0024h 0025h 0026h 0027h	ITC	ISPR0	Interrupt Software Priority Register 0	FFh	R/W
		ISPR1	Interrupt Software Priority Register 1	FFh	R/W
		ISPR2	Interrupt Software Priority Register 2	FFh	R/W
		ISPR3	Interrupt Software Priority Register 3	FFh	R/W
0028h	Reserved Area (1 Byte)				
0029h	MCC	MCCSR	Main Clock Control / Status Register	01h	R/W

Address	Block	Register Label	Register Name	Reset Status	Remarks
002Ah 002Bh	WATCHDOG	WDGCR WDGSR	Watchdog Control Register Watchdog Status Register	7Fh 000x 000x	R/W R/W
002Ch	EEPROM	EECSR	Data EEPROM Control/Status Register	00h	R/W
002Dh to 0030h	Reserved Area (4 Bytes)				
0031h 0032h 0033h 0034h 0035h 0036h 0037h 0038h 0039h 003Ah 003Bh 003Ch 003Dh 003Eh 003Fh	TIMER A	TACR2 TACR1 TASR TAIC1HR TAIC1LR TAOC1HR TAOC1LR TACHR TACLR TAACHR TAACLR TAIC2HR TAIC2LR TAOC2HR TAOC2LR	Timer A Control Register 2 Timer A Control Register 1 Timer A Status Register Timer A Input Capture 1 High Register Timer A Input Capture 1 Low Register Timer A Output Compare 1 High Register Timer A Output Compare 1 Low Register Timer A Counter High Register Timer A Counter Low Register Timer A Alternate Counter High Register Timer A Alternate Counter Low Register Timer A Input Capture 2 High Register Timer A Input Capture 2 Low Register Timer A Output Compare 2 High Register Timer A Output Compare 2 Low Register	00h 00h xxh xxh xxh 80h 00h FFh FCh FFh FCh xxh xxh 80h 00h	R/W R/W Read Only Read Only Read Only R/W R/W Read Only Read Only Read Only Read Only Read Only R/W R/W
0040h		MISCR2	Miscellaneous Register 2	00h	R/W
0041h 0042h 0043h 0044h 0045h 0046h 0047h 0048h 0049h 004Ah 004Bh 004Ch 004Dh 004Eh 004Fh	TIMER B	TBCR2 TBCR1 TBSR TBIC1HR TBIC1LR TBOC1HR TBOC1LR TBCHR TBCLR TBACHR TBACLR TBIC2HR TBIC2LR TBOC2HR TBOC2LR	Timer B Control Register 2 Timer B Control Register 1 Timer B Status Register Timer B Input Capture 1 High Register Timer B Input Capture 1 Low Register Timer B Output Compare 1 High Register Timer B Output Compare 1 Low Register Timer B Counter High Register Timer B Counter Low Register Timer B Alternate Counter High Register Timer B Alternate Counter Low Register Timer B Input Capture 2 High Register Timer B Input Capture 2 Low Register Timer B Output Compare 2 High Register Timer B Output Compare 2 Low Register	00h 00h xxh xxh xxh 80h 00h FFh FCh FFh FCh xxh xxh 80h 00h	R/W R/W Read Only Read Only Read Only R/W R/W Read Only Read Only Read Only Read Only Read Only R/W R/W
0050h 0051h 0052h 0053h 0054h 0055h 0056h 0057h	SCI	SCISR SCIDR SCIBRR SCICR1 SCICR2 SCIERP SCIETPR	SCI Status Register SCI Data Register SCI Baud Rate Register SCI Control Register 1 SCI Control Register 2 SCI Extended Receive Prescaler Register Reserved area SCI Extended Transmit Prescaler Register	C0h xxh 00xx xxxx xxh 00h 00h 00h	Read Only R/W R/W R/W R/W R/W R/W

Address	Block	Register Label	Register Name	Reset Status	Remarks
0058h 0059h	Reserved Area (2 Bytes)				
005Ah 005Bh 005Ch 005Dh 005Eh 005Fh 0060h to 006Fh	CAN	CANISR CANICR CANCSSR CANBRPR CANBTR CANPSR	CAN Interrupt Status Register CAN Interrupt Control Register CAN Control / Status Register CAN Baud Rate Prescaler Register CAN Bit Timing Register CAN Page Selection Register First address to Last address of CAN page X	00h 00h 00h 00h 23h 00h	R/W R/W R/W R/W R/W R/W See CAN Description
0070h 0071h	ADC	ADCDR ADCCSR	Data Register Control/Status Register	xxh 00h	Read Only R/W
0072h 0073h 0074h 0075h 0076h 0077h 0078h 0079h	PWM ART	PWMDCR3 PWMDCR2 PWMDCR1 PWMDCR0 PWMCR ARTCSR ARTCAR ARTARR	PWM AR Timer Duty Cycle Register 3 PWM AR Timer Duty Cycle Register 2 PWM AR Timer Duty Cycle Register 1 PWM AR Timer Duty Cycle Register 0 PWM AR Timer Control Register Auto-Reload Timer Control/Status Register Auto-Reload Timer Counter Access Register Auto-Reload Timer Auto-Reload Register	00h 00h 00h 00h 00h 00h 00h 00h	R/W R/W R/W R/W R/W R/W R/W R/W
007Ah to 007Fh	Reserved Area (6 Bytes)				

**Legend:** x=undefined, R/W=read/write

**Notes:**

1. The contents of the I/O port DR registers are readable only in output configuration. In input configuration, the values of the I/O pins are returned instead of the DR register contents.
2. The bits associated with unavailable pins must always keep their reset value.

## 2 EPROM PROGRAM MEMORY

The program memory of the OTP and EPROM devices can be programmed with EPROM programming tools available from STMicroelectronics

### EPROM Erasure

EPROM devices are erased by exposure to high intensity UV light admitted through the transparent window. This exposure discharges the floating gate to its initial state through induced photo current.

It is recommended that the EPROM devices be kept out of direct sunlight, since the UV content of

sunlight can be sufficient to cause functional failure. Extended exposure to room level fluorescent lighting may also cause erasure.

An opaque coating (paint, tape, label, etc...) should be placed over the package window if the product is to be operated under these lighting conditions. Covering the window also reduces  $I_{DD}$  in power-saving modes due to photo-diode leakage currents.

### 3 DATA EEPROM

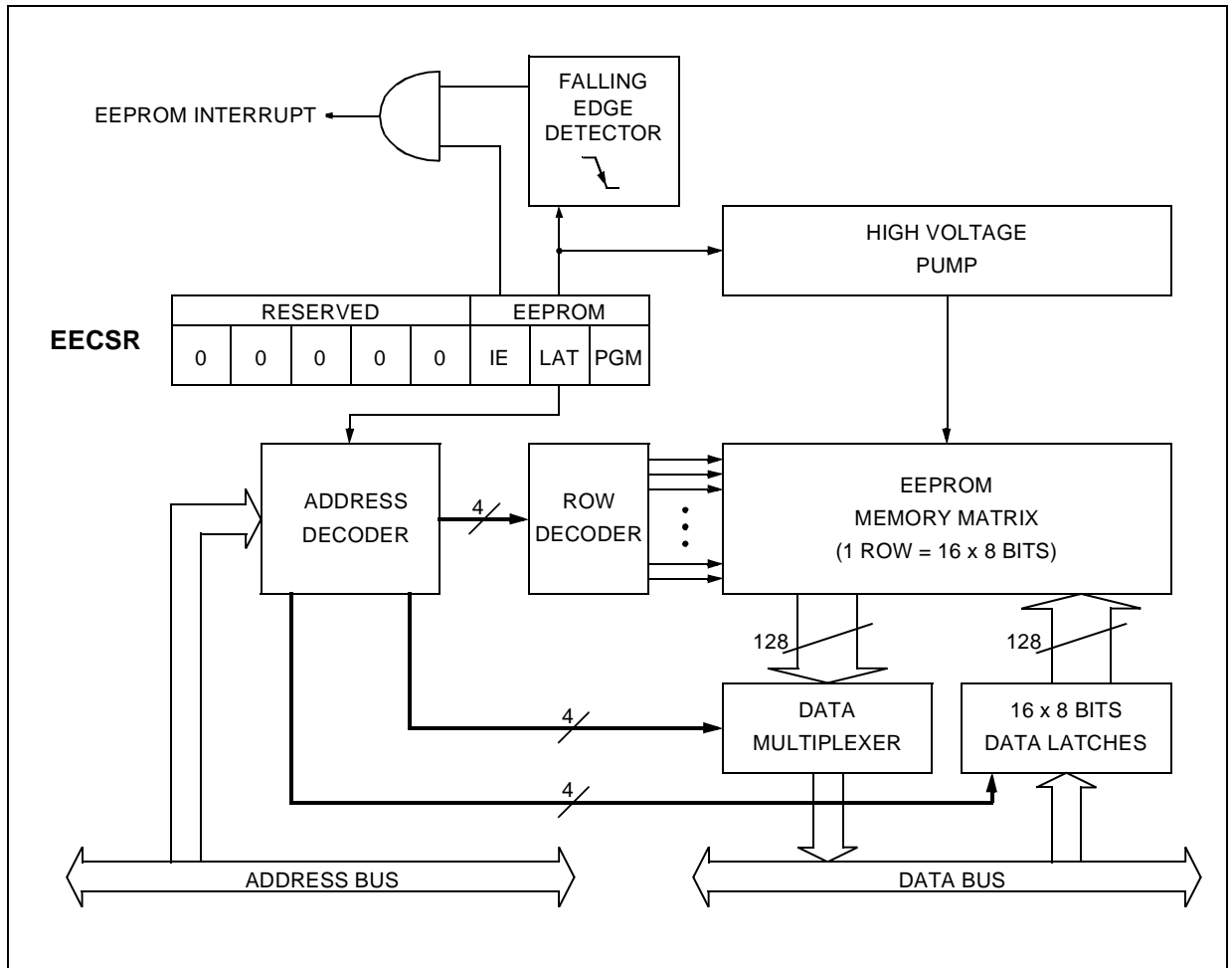
#### 3.1 INTRODUCTION

The Electrically Erasable Programmable Read Only Memory can be used as a non volatile back-up for storing data. Using the EEPROM requires a basic access protocol described in this chapter.

#### 3.2 MAIN FEATURES

- Up to 16 Bytes programmed in the same cycle
- EEPROM mono-voltage (charge pump)
- Chained erase and programming cycles
- Internal control of the global programming cycle duration
- End of programming cycle interrupt flag
- WAIT mode management

Figure 4. EEPROM Block Diagram





## DATA EEPROM (Cont'd)

### 3.3 MEMORY ACCESS

The Data EEPROM memory read/write access modes are controlled by the LAT bit of the EEPROM Control/Status register (EECSR). The flowchart in [Figure 5](#) describes these different memory access modes.

#### Read Operation (LAT=0)

The EEPROM can be read as a normal ROM location when the LAT bit of the EECSR register is cleared. In a read cycle, the byte to be accessed is put on the data bus in less than 1 CPU clock cycle. This means that reading data from EEPROM takes the same time as reading data from EPROM, but this memory cannot be used to execute machine code.

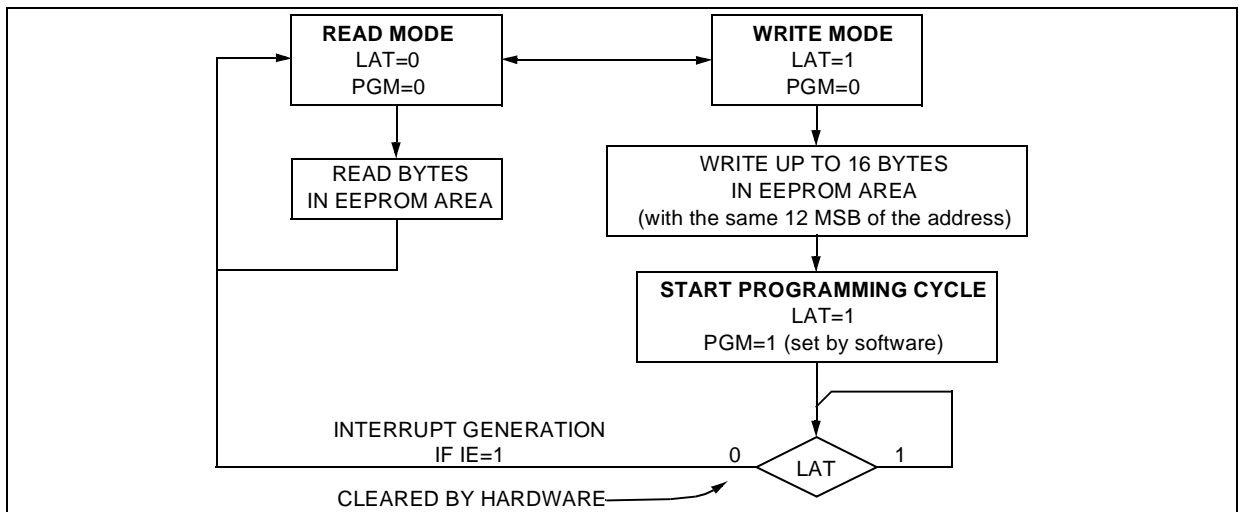
**Note:** In order to ensure the correct read out of the EEPROM over the entire temperature range, the cell whose contents will be read, must be read twice in compliance with the following conditions:

- a first reading must be immediately followed by a second reading
  - all interrupts must be disabled until the two readings are performed
  - no other instructions are allowed between the two reading instructions
- the data of the first reading has to be discarded

The described procedure corresponds to the following code sequence:

```
sim
ld A, eeprom_var
ld A, eeprom_var
```

**Figure 5. Data EEPROM Programming Flowchart**



rim

where eeprom\_var addresses the EEPROM cell to be read. Any of the ST7 addressing modes may be used.

#### Write Operation (LAT=1)

To access the write mode, the LAT bit has to be set by software (the PGM bit remains cleared). When a write access to the EEPROM area occurs, the value is latched inside the 16 data latches according to its address.

When PGM bit is set by the software, all the previous bytes written in the data latches (up to 16) are programmed in the EEPROM cells. The effective high address (row) is determined by the last EEPROM write sequence. To avoid wrong programming, the user must take care that all the bytes written between two programming sequences have the same high address: only the four Least Significant Bits of the address can change.

At the end of the programming cycle, the PGM and LAT bits are cleared simultaneously, and an interrupt is generated if the IE bit is set. The Data EEPROM interrupt request is cleared by hardware when the Data EEPROM interrupt vector is fetched.

**Note:** Care should be taken during the programming cycle. Writing to the same memory location will over-program the memory (logical AND between the two write access data result) because the data latches are only cleared at the end of the programming cycle and by the falling edge of LAT bit. It is not possible to read the latched data. This note is illustrated by the [Figure 6](#).

DATA EEPROM (Cont'd)

3.4 POWER SAVING MODES

Wait mode

The DATA EEPROM can enter WAIT mode on execution of the WFI instruction of the microcontroller. The DATA EEPROM will immediately enter this mode if there is no programming in progress, otherwise the DATA EEPROM will finish the cycle and then enter WAIT mode.

Halt mode

The DATA EEPROM immediately enters HALT mode if the microcontroller executes the HALT instruction. Therefore the EEPROM will stop the function in progress, and data may be corrupted.

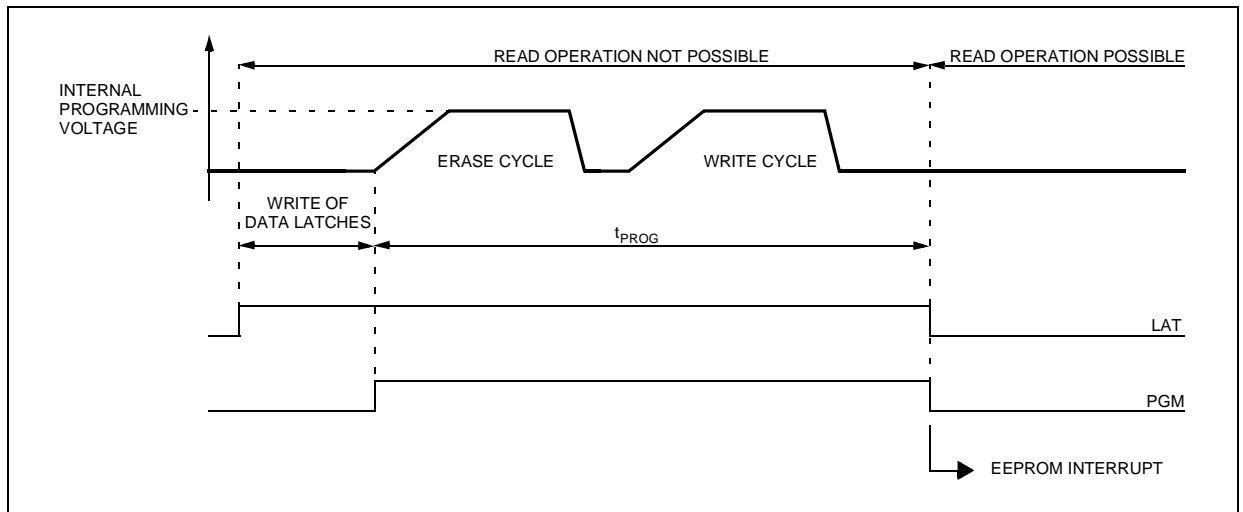
3.5 ACCESS ERROR HANDLING

If a read access occurs while LAT=1, then the data bus will not be driven.

If a write access occurs while LAT=0, then the data on the bus will not be latched.

If a programming cycle is interrupted (by software/RESET action), the memory data will not be guaranteed.

Figure 6. Data EEPROM Programming Cycle



**DATA EEPROM** (Cont'd)**3.6 REGISTER DESCRIPTION****CONTROL/STATUS REGISTER (CSR)**

Read/Write

Reset Value: 0000 0000 (00h)

7							0
0	0	0	0	0	IE	LAT	PGM

Bits 7:3 = Reserved, forced by hardware to 0.

**Bit 2 = IE** *Interrupt enable*

This bit is set and cleared by software. It enables the Data EEPROM interrupt capability when the PGM bit is cleared by hardware. The interrupt request is automatically cleared when the software enters the interrupt routine.

0: Interrupt disabled

1: Interrupt enabled

**Bit 1 = LAT** *Latch Access Transfer*

This bit is set by software. It is cleared by hardware at the end of the programming cycle. It can only be cleared by software if PGM bit is cleared.

0: Read mode

1: Write mode

**Bit 0 = PGM** *Programming control and status*

This bit is set by software to begin the programming cycle. At the end of the programming cycle, this bit is cleared by hardware and an interrupt is generated if the ITE bit is set.

0: Programming finished or not yet started

1: Programming cycle is in progress

**Note:** if the PGM bit is cleared during the programming cycle, the memory data is not guaranteed

**Table 3. DATA EEPROM Register Map and Reset Values**

Address (Hex.)	Register Label	7	6	5	4	3	2	1	0
002Ch	<b>EECSR</b> Reset Value	0	0	0	0	0	IE 0	RWM 0	PGM 0

## 4 CENTRAL PROCESSING UNIT

### 4.1 INTRODUCTION

This CPU has a full 8-bit architecture and contains six internal registers allowing efficient 8-bit data manipulation.

### 4.2 MAIN FEATURES

- Enable executing 63 basic instructions
- Fast 8-bit by 8-bit multiply
- 17 main addressing modes (with indirect addressing mode)
- Two 8-bit index registers
- 16-bit stack pointer
- Low power HALT and WAIT modes
- Priority maskable hardware interrupts
- Non-maskable software/hardware interrupts

### 4.3 CPU REGISTERS

The 6 CPU registers shown in Figure 7 are not present in the memory mapping and are accessed by specific instructions.

#### Accumulator (A)

The Accumulator is an 8-bit general purpose register used to hold operands and the results of the arithmetic and logic calculations and to manipulate data.

#### Index Registers (X and Y)

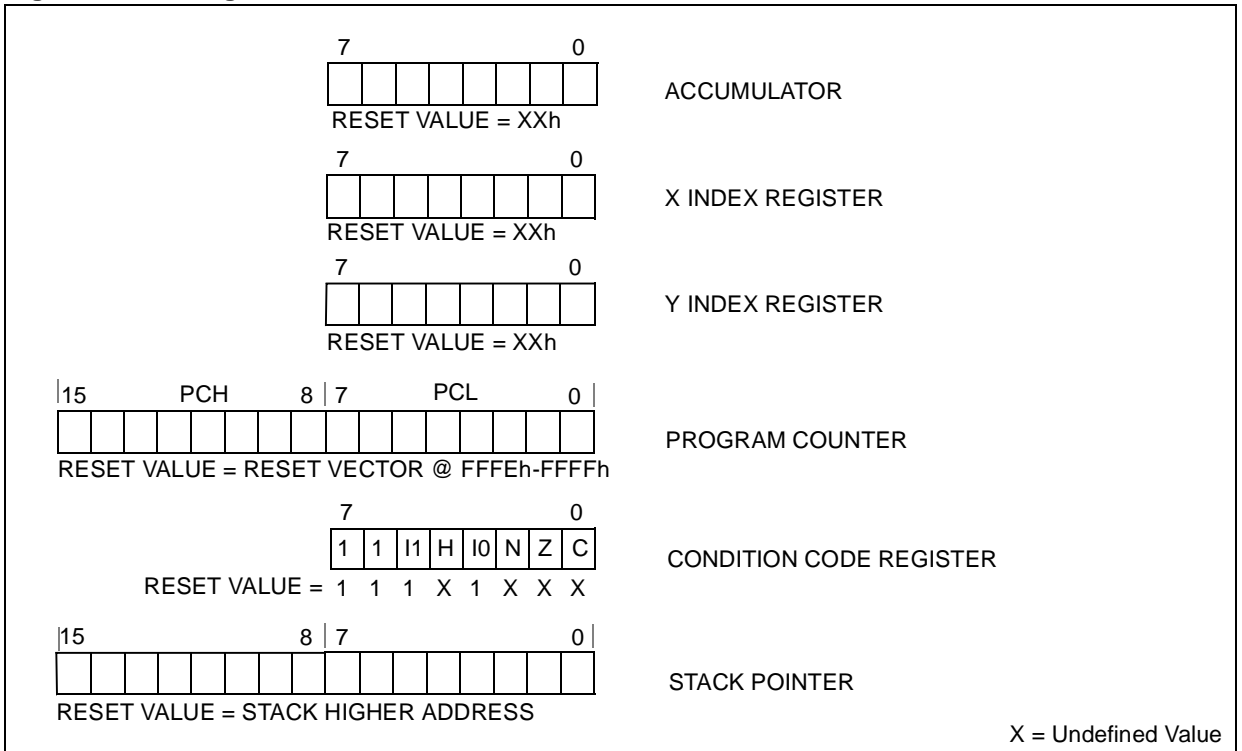
These 8-bit registers are used to create effective addresses or as temporary storage areas for data manipulation. (The Cross-Assembler generates a precede instruction (PRE) to indicate that the following instruction refers to the Y register.)

The Y register is not affected by the interrupt automatic procedures.

#### Program Counter (PC)

The program counter is a 16-bit register containing the address of the next instruction to be executed by the CPU. It is made of two 8-bit registers PCL (Program Counter Low which is the LSB) and PCH (Program Counter High which is the MSB).

Figure 7. CPU Registers



**CENTRAL PROCESSING UNIT (Cont'd)****Condition Code Register (CC)**

Read/Write

Reset Value: 111x1xxx

7							0
1	1	I1	H	I0	N	Z	C

The 8-bit Condition Code register contains the interrupt masks and four flags representative of the result of the instruction just executed. This register can also be handled by the PUSH and POP instructions.

These bits can be individually tested and/or controlled by specific instructions.

**Arithmetic Management Bits**Bit 4 = **H** *Half carry*.

This bit is set by hardware when a carry occurs between bits 3 and 4 of the ALU during an ADD or ADC instructions. It is reset by hardware during the same instructions.

0: No half carry has occurred.  
1: A half carry has occurred.

This bit is tested using the JRH or JRNH instruction. The H bit is useful in BCD arithmetic subroutines.

Bit 2 = **N** *Negative*.

This bit is set and cleared by hardware. It is representative of the result sign of the last arithmetic, logical or data manipulation. It's a copy of the result 7<sup>th</sup> bit.

0: The result of the last operation is positive or null.  
1: The result of the last operation is negative (i.e. the most significant bit is a logic 1).

This bit is accessed by the JRMI and JRPL instructions.

Bit 1 = **Z** *Zero*.

This bit is set and cleared by hardware. This bit indicates that the result of the last arithmetic, logical or data manipulation is zero.

0: The result of the last operation is different from zero.

1: The result of the last operation is zero.

This bit is accessed by the JREQ and JRNE test instructions.

Bit 0 = **C** *Carry/borrow*.

This bit is set and cleared by hardware and software. It indicates an overflow or an underflow has occurred during the last arithmetic operation.

0: No overflow or underflow has occurred.

1: An overflow or underflow has occurred.

This bit is driven by the SCF and RCF instructions and tested by the JRC and JRNC instructions. It is also affected by the "bit test and branch", shift and rotate instructions.

**Interrupt Management Bits**Bit 5,3 = **I1, I0** *Interrupt*

The combination of the I1 and I0 bits gives the current interrupt software priority.

Interrupt Software Priority	I1	I0
Level 0 (main)	1	0
Level 1	0	1
Level 2	0	0
Level 3 (= interrupt disable)	1	1

These two bits are set/cleared by hardware when entering in interrupt. The loaded value is given by the corresponding bits in the interrupt software priority registers (IxSPR). They can be also set/cleared by software with the RIM, SIM, IRET, HALT, WFI and PUSH/POP instructions.

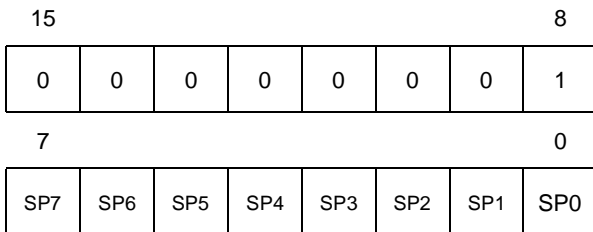
See the interrupt management chapter for more details.

**CENTRAL PROCESSING UNIT (Cont'd)**

**Stack Pointer (SP)**

Read/Write

Reset Value: 01 FFh



The Stack Pointer is a 16-bit register which is always pointing to the next free location in the stack. It is then decremented after data has been pushed onto the stack and incremented before data is popped from the stack (see Figure 8).

Since the stack is 256 bytes deep, the 8 most significant bits are forced by hardware. Following an MCU Reset, or after a Reset Stack Pointer instruction (RSP), the Stack Pointer contains its reset value (the SP7 to SP0 bits are set) which is the stack higher address.

The least significant byte of the Stack Pointer (called S) can be directly accessed by a LD instruction.

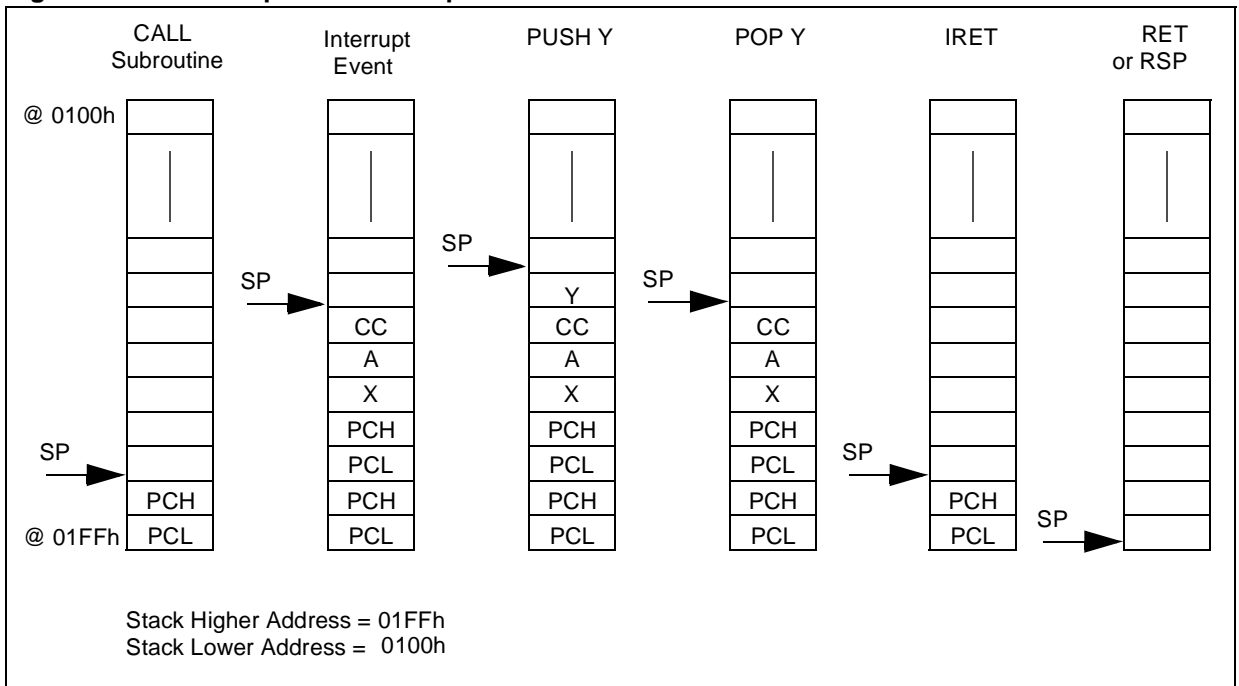
**Note:** When the lower limit is exceeded, the Stack Pointer wraps around to the stack upper limit, without indicating the stack overflow. The previously stored information is then overwritten and therefore lost. The stack also wraps in case of an underflow.

The stack is used to save the return address during a subroutine call and the CPU context during an interrupt. The user may also directly manipulate the stack by means of the PUSH and POP instructions. In the case of an interrupt, the PCL is stored at the first location pointed to by the SP. Then the other registers are stored in the next locations as shown in Figure 8.

- When an interrupt is received, the SP is decremented and the context is pushed on the stack.
- On return from interrupt, the SP is incremented and the context is popped from the stack.

A subroutine call occupies two locations and an interrupt five locations in the stack area.

**Figure 8. Stack Manipulation Example**



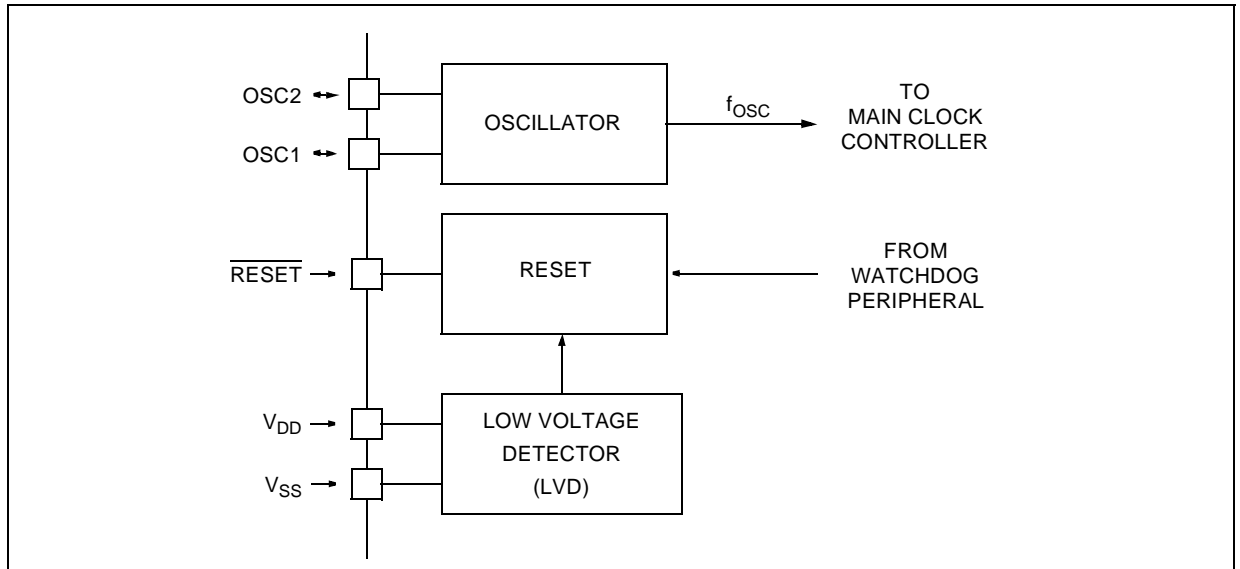
## 5 SUPPLY, RESET AND CLOCK MANAGEMENT

The ST72311R, ST72511R and ST72532R micro-controllers include a range of utility features for securing the application in critical situations (for example in case of a power brown-out), and reducing the number of external components. An overview is shown in [Figure 9](#).

### Main features

- Main supply low voltage detection (LVD)
- RESET Manager (RSM)
- Low consumption resonator oscillator

**Figure 9. Clock, RESET, Option and Supply Management Overview**



### 5.1 LOW VOLTAGE DETECTOR (LVD)

To allow the integration of power management features in the application, the Low Voltage Detector function (LVD) generates a static reset when the  $V_{DD}$  supply voltage is below a  $V_{IT-}$  reference value. This means that it secures the power-up as well as the power-down keeping the ST7 in reset.

The  $V_{IT-}$  reference value for a voltage drop is lower than the  $V_{IT+}$  reference value for power-on in order to avoid a parasitic reset when the MCU starts running and sinks current on the supply (hysteresis).

The LVD Reset circuitry generates a reset when  $V_{DD}$  is below:

- $V_{IT+}$  when  $V_{DD}$  is rising
- $V_{IT-}$  when  $V_{DD}$  is falling

The LVD function is illustrated in Figure 10.

Provided the minimum  $V_{DD}$  value (guaranteed for the oscillator frequency) is below  $V_{IT-}$ , the MCU can only be in two modes:

- under full software control
- in static safe reset

In these conditions, secure operation is always ensured for the application without the need for external reset hardware.

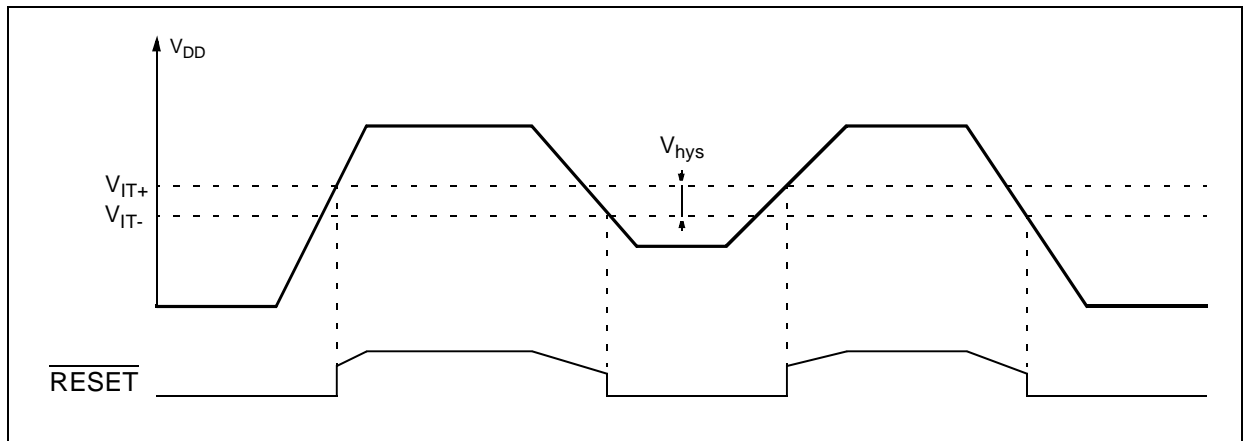
During a Low Voltage Detector Reset, the  $\overline{\text{RESET}}$  pin is held low, thus permitting the MCU to reset other devices.

**Notes:**

The LVD allows the device to be used without any external RESET circuitry.

The LVD is an optional function which can be selected when ordering the device (ordering information).

**Figure 10. Low Voltage Detector vs Reset**





## 5.2 RESET SEQUENCE MANAGER (RSM)

### 5.2.1 Introduction

The reset sequence manager includes three RESET sources as shown in Figure 12:

- External  $\overline{\text{RESET}}$  source pulse
- Internal LVD RESET (Low Voltage Detection)
- Internal WATCHDOG RESET

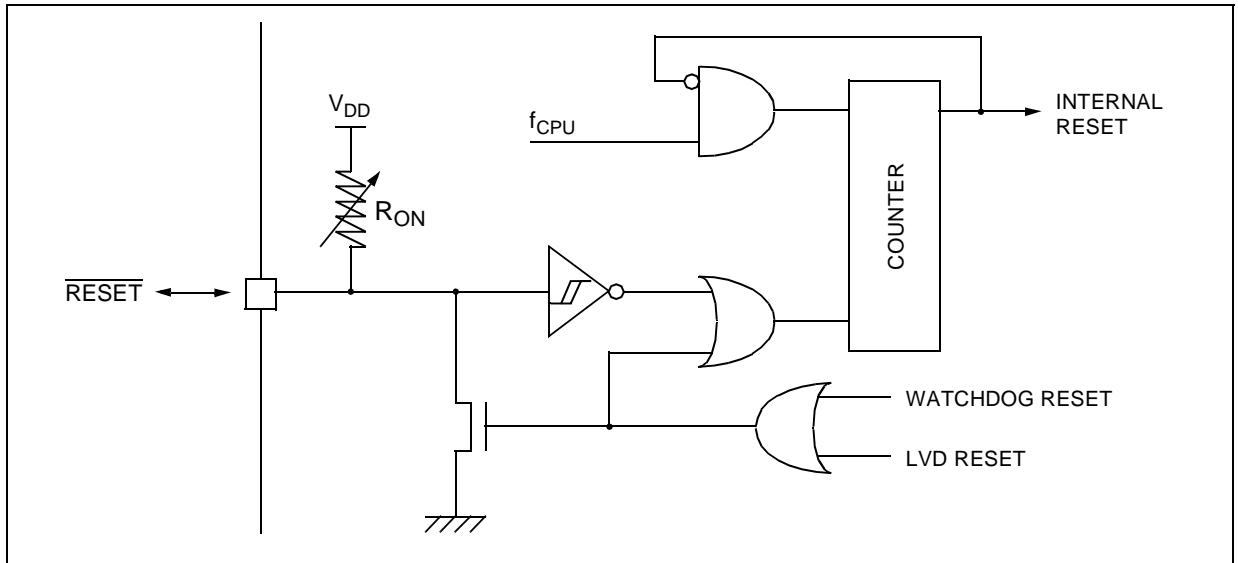
These sources act on the  $\overline{\text{RESET}}$  pin and it is always kept low during the delay phase.

The RESET service routine vector is fixed at addresses FFFEh-FFFFh in the ST7 memory map.

The basic RESET sequence consists of 3 phases as shown in Figure 11:

- Delay depending on the RESET source
- 4096 CPU clock cycle delay
- RESET vector fetch

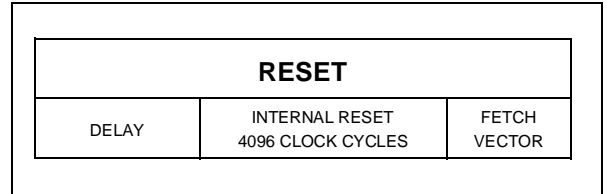
Figure 12. Reset Block Diagram



The 4096 CPU clock cycle delay allows the oscillator to stabilise and ensures that recovery has taken place from the Reset state.

The RESET vector fetch phase duration is 2 clock cycles.

Figure 11. RESET Sequence Phases



RESET SEQUENCE MANAGER (Cont'd)

5.2.2 Asynchronous External RESET pin

The RESET pin is both an input and an open-drain output with integrated R<sub>ON</sub> weak pull-up resistor. This pull-up has no fixed value but varies in accordance with the input voltage. It can be pulled low by external circuitry to reset the device. See electrical characteristics section for more details.

A RESET signal originating from an external source must have a duration of at least t<sub>h(RSTL)in</sub> in order to be recognized as shown in Figure 13. This detection is asynchronous and therefore the MCU can enter reset state even in HALT mode.

The RESET pin is an asynchronous signal which plays a major role in EMS performance. In a noisy environment, it is recommended to follow the guidelines mentioned in the electrical characteristics section.

5.2.3 Internal Low Voltage Detection RESET

Two different RESET sequences caused by the internal LVD circuitry can be distinguished:

- Power-On RESET
- Voltage Drop RESET

The device RESET pin acts as an output that is pulled low when V<sub>DD</sub> < V<sub>IT+</sub> (rising edge) or V<sub>DD</sub> < V<sub>IT-</sub> (falling edge) as shown in Figure 13.

The LVD filters spikes on V<sub>DD</sub> larger than t<sub>g(VDD)</sub> to avoid parasitic resets.

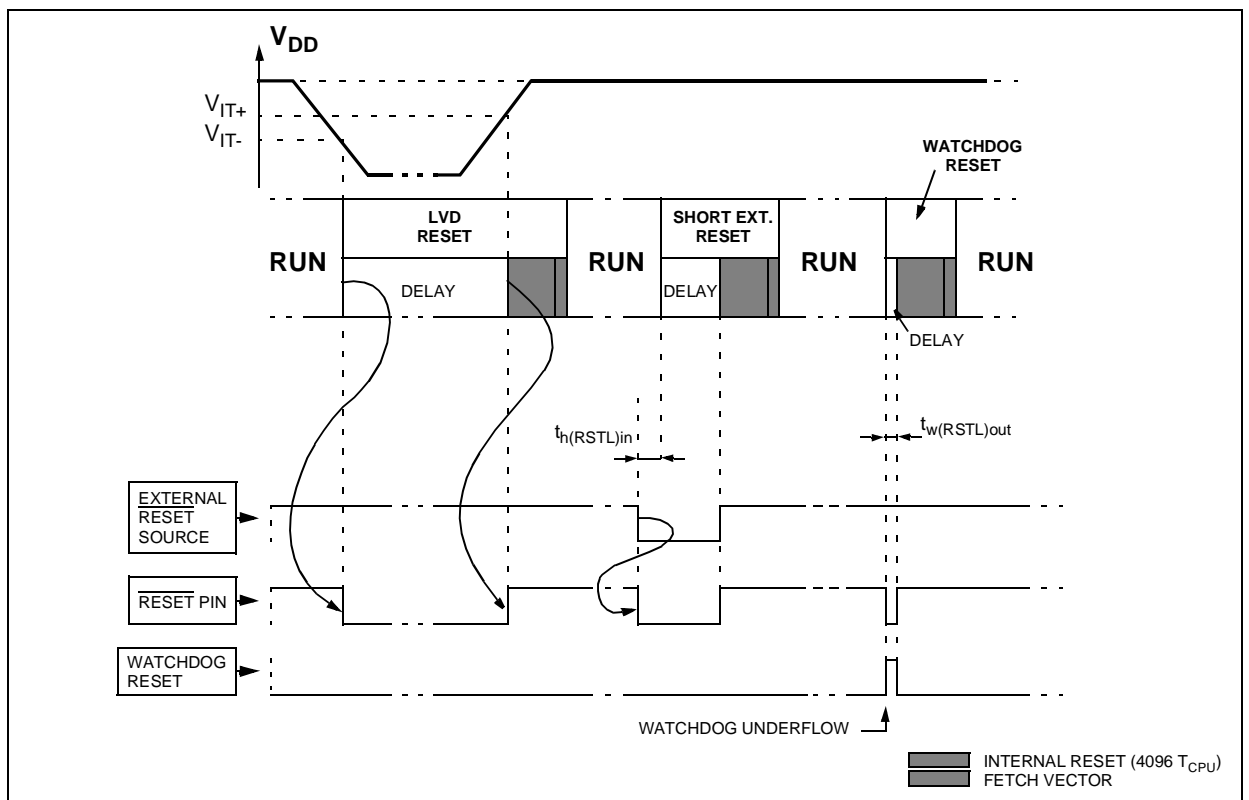
5.2.4 Internal Watchdog RESET

The RESET sequence generated by a internal Watchdog counter overflow is shown in Figure 13.

Starting from the Watchdog counter underflow, the device RESET pin acts as an output that is pulled low during t<sub>w(RSTL)out</sub>.

**CAUTION:** this output signal as not enough energy to be used to drive external devices.

Figure 13. RESET Sequences



### 5.3 LOW CONSUMPTION OSCILLATOR

The  $f_{OSC}$  main clock of the ST7 can be generated by two different source types:

- an external source
- a crystal or ceramic resonator oscillators

The associated hardware configuration are shown in [Table 4](#). Refer to the electrical characteristics section for more details.

#### External Clock Source

In this external clock mode, a clock signal (square, sinus or triangle) with ~50% duty cycle has to drive the OSC1 pin while the OSC2 pin is tied to ground.

#### Crystal/Ceramic Oscillator

This oscillator (based on constant current source) is optimized in terms of consumption and has the advantage of producing a very accurate rate on the main clock of the ST7.

When using this oscillator, the resonator and the load capacitances have to be connected as shown in [Table 4](#) and have to be mounted as close as possible to the oscillator pins in order to minimize output distortion and start-up stabilization time.

This oscillator is not stopped during the RESET phase to avoid losing time in the oscillator start-up phase.

These oscillators are not stopped during the RESET phase to avoid losing time in the oscillator start-up phase.

**Table 4. ST7 Clock Sources**

Hardware Configuration	
External Clock	
Crystal/Ceramic Resonators	

## 6 INTERRUPTS

### 6.1 INTRODUCTION

The CPU enhanced interrupt management provides the following features:

- Hardware interrupts
- Software interrupt (TRAP)
- Nested or concurrent interrupt management with flexible interrupt priority and level management:
  - Up to 4 software programmable nesting levels
  - Up to 16 interrupt vectors fixed by hardware
  - 2 non maskable events: RESET, TRAP
  - 1 maskable Top Level Event: TLI

This interrupt management is based on:

- Bit 5 and bit 3 of the CPU CC register (I1:0),
- Interrupt software priority registers (ISPRx),
- Fixed interrupt vector addresses located at the high addresses of the memory map (FFE0h to FFFFh) sorted by hardware priority order.

This enhanced interrupt controller guarantees full upward compatibility with the standard (not nested) CPU interrupt controller.

### 6.2 MASKING AND PROCESSING FLOW

The interrupt masking is managed by the I1 and I0 bits of the CC register and the ISPRx registers which give the interrupt software priority level of

each interrupt vector (see Table 1). The processing flow is shown in Figure 1.

When an interrupt request has to be serviced:

- Normal processing is suspended at the end of the current instruction execution.
- The PC, X, A and CC registers are saved onto the stack.
- I1 and I0 bits of CC register are set according to the corresponding values in the ISPRx registers of the serviced interrupt vector.
- The PC is then loaded with the interrupt vector of the interrupt to service and the first instruction of the interrupt service routine is fetched (refer to “Interrupt Mapping” table for vector addresses).

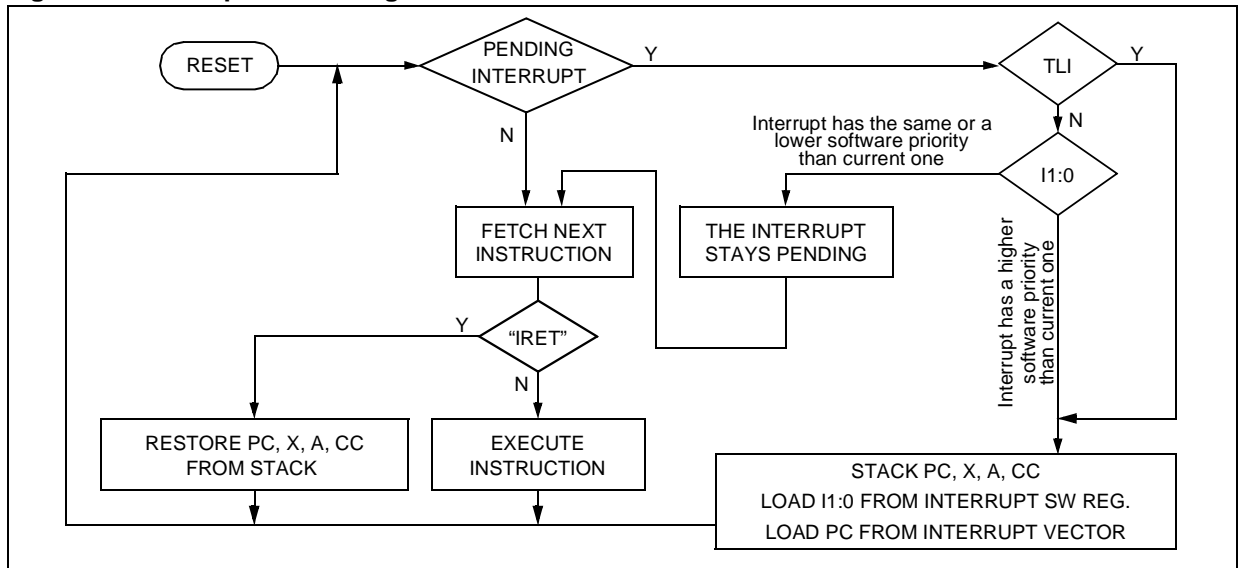
The interrupt service routine should end with the IRET instruction which causes the contents of the saved registers to be recovered from the stack.

**Note:** As a consequence of the IRET instruction, the I1 and I0 bits will be restored from the stack and the program in the previous level will resume.

**Table 5. Interrupt Software Priority Levels**

Interrupt software priority	Level	I1	I0
Level 0 (main)	Low ↓ ↓ High	1	0
Level 1		0	1
Level 2		0	0
Level 3 (= interrupt disable)		1	1

**Figure 14. Interrupt Processing Flowchart**



## INTERRUPTS (Cont'd)

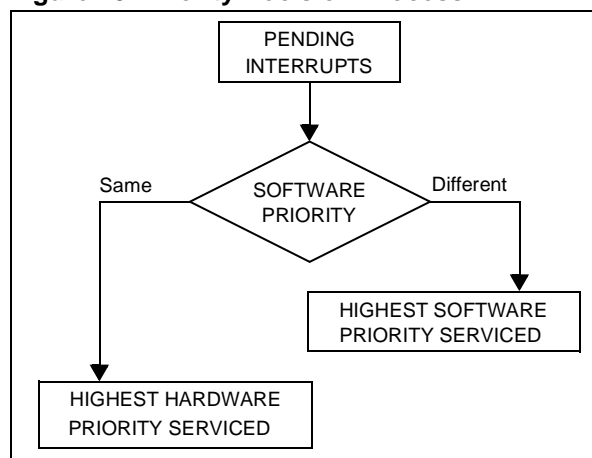
### Servicing Pending Interrupts

As several interrupts can be pending at the same time, the interrupt to be taken into account is determined by the following two-step process:

- the highest software priority interrupt is serviced,
- if several interrupts have the same software priority then the interrupt with the highest hardware priority is serviced first.

Figure 2 describes this decision process.

**Figure 15. Priority Decision Process**



When an interrupt request is not serviced immediately, it is latched and then processed when its software priority combined with the hardware priority becomes the highest one.

**Note 1:** The hardware priority is exclusive while the software one is not. This allows the previous process to succeed with only one interrupt.

**Note 2:** RESET, TRAP and TLI can be considered as having the highest software priority in the decision process.

### Different Interrupt Vector Sources

Two interrupt source types are managed by the CPU interrupt controller: the non-maskable type (RESET, TRAP) and the maskable type (external or from internal peripherals).

### Non-Maskable Sources

These sources are processed regardless of the state of the I1 and I0 bits of the CC register (see Figure 1). After stacking the PC, X, A and CC registers (except for RESET), the corresponding vector is loaded in the PC register and the I1 and I0 bits of the CC are set to disable interrupts (level 3). These sources allow the processor to exit HALT mode.

### ■ TRAP (Non Maskable Software Interrupt)

This software interrupt is serviced when the TRAP instruction is executed. It will be serviced according to the flowchart in Figure 1 as a TLI.

**Caution:** TRAP can be interrupted by a TLI.

### ■ RESET

The RESET source has the highest priority in the CPU. This means that the first current routine has the highest software priority (level 3) and the highest hardware priority.

See the RESET chapter for more details.

### Maskable Sources

Maskable interrupt vector sources can be serviced if the corresponding interrupt is enabled and if its own interrupt software priority (in ISPRx registers) is higher than the one currently being serviced (I1 and I0 in CC register). If any of these two conditions is false, the interrupt is latched and thus remains pending.

### ■ TLI (Top Level Hardware Interrupt)

This hardware interrupt occurs when a specific edge is detected on the dedicated TLI pin.

**Caution:** A TRAP instruction must not be used in a TLI service routine.

### ■ External Interrupts

External interrupts allow the processor to exit from HALT low power mode.

External interrupt sensitivity is software selectable through the External Interrupt Control register (EICR).

External interrupt triggered on edge will be latched and the interrupt request automatically cleared upon entering the interrupt service routine.

If several input pins of a group connected to the same interrupt line are selected simultaneously, these will be logically NANDed.

### ■ Peripheral Interrupts

Usually the peripheral interrupts cause the Device to exit from HALT mode except those mentioned in the "Interrupt Mapping" table.

A peripheral interrupt occurs when a specific flag is set in the peripheral status registers and if the corresponding enable bit is set in the peripheral control register.

The general sequence for clearing an interrupt is based on an access to the status register followed by a read or write to an associated register.

**Note:** The clearing sequence resets the internal latch. A pending interrupt (i.e. waiting for being serviced) will therefore be lost if the clear sequence is executed.

INTERRUPTS (Cont'd)

6.3 INTERRUPTS AND LOW POWER MODES

All interrupts allow the processor to exit the WAIT low power mode. On the contrary, only external and other specified interrupts allow the processor to exit from the HALT modes (see column "Exit from HALT" in "Interrupt Mapping" table). When several pending interrupts are present while exiting HALT mode, the first one serviced can only be an interrupt with exit from HALT mode capability and it is selected through the same decision process shown in Figure 2.

**Note:** If an interrupt, that is not able to Exit from HALT mode, is pending with the highest priority when exiting HALT mode, this interrupt is serviced after the first one serviced.

Figure 16. Concurrent Interrupt Management

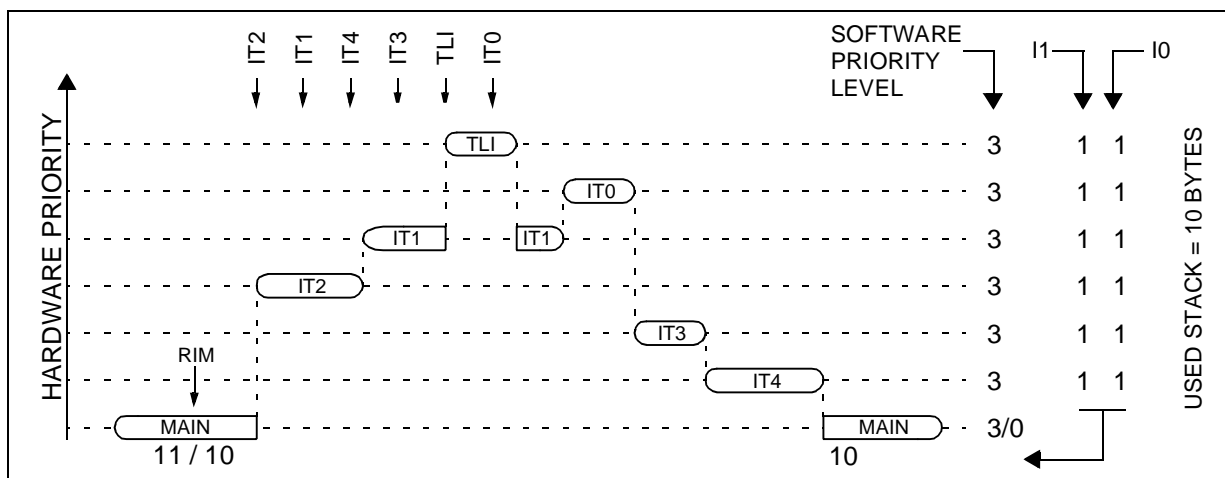
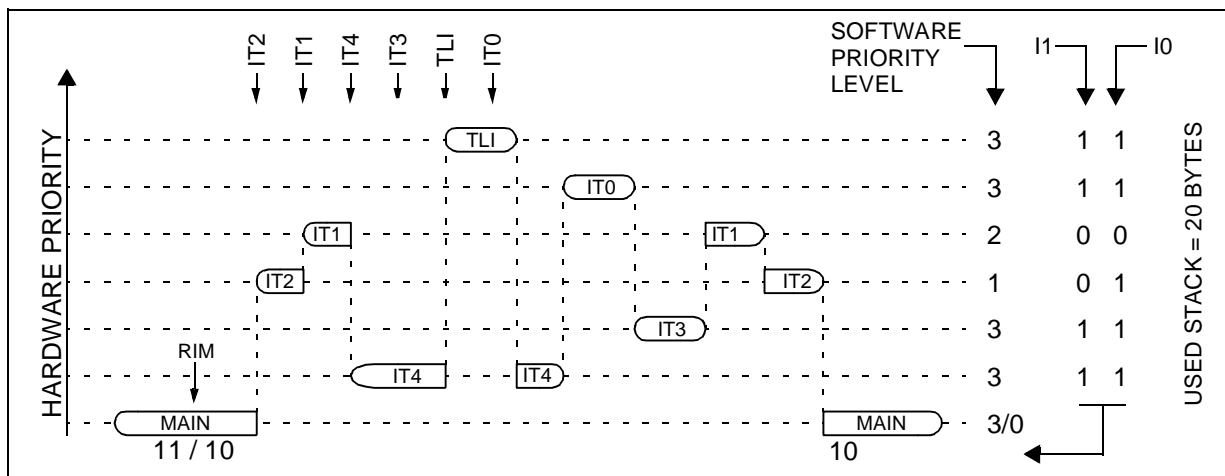


Figure 17. Nested Interrupt Management



## INTERRUPTS (Cont'd)

### 6.5 INTERRUPT REGISTER DESCRIPTION

#### CPU CC REGISTER INTERRUPT BITS

Read/Write

Reset Value: 111x 1010 (xAh)

7							0
1	1	I1	H	I0	N	Z	C

Bit 5, 3 = **I1, I0** *Software Interrupt Priority*

These two bits indicate the current interrupt software priority.

Interrupt Software Priority	Level	I1	I0
Level 0 (main)	Low	1	0
Level 1	↓	0	1
Level 2	↓	0	0
Level 3 (= interrupt disable*)	High	1	1

These two bits are set/cleared by hardware when entering in interrupt. The loaded value is given by the corresponding bits in the interrupt software priority registers (ISPRx).

They can be also set/cleared by software with the RIM, SIM, HALT, WFI, IRET and PUSH/POP instructions (see "Interrupt Dedicated Instruction Set" table).

**\*Note:** TLI, TRAP and RESET events can interrupt a level 3 program.

#### INTERRUPT SOFTWARE PRIORITY REGISTERS (ISPRX)

Read/Write (bit 7:4 of **ISPR3** are read only)

Reset Value: 1111 1111 (FFh)

	7						0
ISPR0	I1_3	I0_3	I1_2	I0_2	I1_1	I0_1	I1_0 I0_0
ISPR1	I1_7	I0_7	I1_6	I0_6	I1_5	I0_5	I1_4 I0_4
ISPR2	I1_11	I0_11	I1_10	I0_10	I1_9	I0_9	I1_8 I0_8
ISPR3	1	1	1	1	I1_13	I0_13	I1_12 I0_12

These four registers contain the interrupt software priority of each interrupt vector.

– Each interrupt vector (except RESET and TRAP) has corresponding bits in these registers where its own software priority is stored. This correspondence is shown in the following table.

Vector address	ISPRx bits
FFFBh-FFFAh	I1_0 and I0_0 bits*
FFF9h-FFF8h	I1_1 and I0_1 bits
...	...
FFE1h-FFE0h	I1_13 and I0_13 bits

- Each I1\_x and I0\_x bit value in the ISPRx registers has the same meaning as the I1 and I0 bits in the CC register.
- Level 0 can not be written (I1\_x=1, I0\_x=0). In this case, the previously stored value is kept. (example: previous=CFh, write=64h, result=44h)

The RESET, TRAP and TLI vectors have no software priorities. When one is serviced, the I1 and I0 bits of the CC register are both set.

**\*Note:** Bits in the ISPRx registers which correspond to the TLI can be read and written but they are not significant in the interrupt process management.

**Caution:** If the I1\_x and I0\_x bits are modified while the interrupt x is executed the following behaviour has to be considered: If the interrupt x is still pending (new interrupt or flag not cleared) and the new software priority is higher than the previous one, the interrupt x is re-entered. Otherwise, the software priority stays unchanged up to the next interrupt request (after the IRET of the interrupt x).

**INTERRUPTS** (Cont'd)

**Table 6. Dedicated Interrupt Instruction Set**

Instruction	New Description	Function/Example	I1	H	I0	N	Z	C
HALT	Entering Halt mode		1		0			
IRET	Interrupt routine return	Pop CC, A, X, PC	I1	H	I0	N	Z	C
JRM	Jump if I1:0=11	I1:0=11 ?						
JRNM	Jump if I1:0<>11	I1:0<>11 ?						
POP CC	Pop CC from the Stack	Mem => CC	I1	H	I0	N	Z	C
RIM	Enable interrupt (level 0 set)	Load 10 in I1:0 of CC	1		0			
SIM	Disable interrupt (level 3 set)	Load 11 in I1:0 of CC	1		1			
TRAP	Software trap	Software NMI	1		1			
WFI	Wait for interrupt		1		0			

**Note:** During the execution of an interrupt routine, the HALT, POPCC, RIM, SIM and WFI instructions change the current software priority up to the next IRET instruction or one of the previously mentioned instructions.

In order not to lose the current software priority level, the RIM, SIM, HALT, WFI and POP CC instructions should never be used in an interrupt routine.

**Table 7. Interrupt Mapping**

N°	Source Block	Description	Register Label	Priority Order	Exit from HALT <sup>1)</sup>	Address Vector
	RESET	Reset	N/A	Highest Priority	yes	FFFEh-FFFFh
	TRAP	Software Interrupt			no	FFFCh-FFFDh
0	TLI	External Top Level Interrupt	MISCR2		yes	FFFAh-FFFBh
1	MCC/RTC	Main Clock Controller Time Base Interrupt	MCCSR		no	FFF8h-FFF9h
2	ei0	External Interrupt Port A3..0	N/A		no	FFF6h-FFF7h
3	ei1	External Interrupt Port F2..0			no	FFF4h-FFF5h
4	ei2	External Interrupt Port B3..0			no	FFF2h-FFF3h
5	ei3	External Interrupt Port B7..4			no	FFF0h-FFF1h
6	CAN	CAN Peripheral Interrupts	CANISR		no	FFEEh-FFEFh
7	SPI	SPI Peripheral Interrupts	SPISR		no	FFEC h-FFEDh
8	TIMER A	TIMER A Peripheral Interrupts	TASR		no	FFEAh-FFEBh
9	TIMER B	TIMER B Peripheral Interrupts	TBSR		no	FFE8h-FFE9h
10	SCI	SCI Peripheral Interrupts	SCISR		no	FFE6h-FFE7h
11	EEPROM	EEPROM Interrupt	EECSR		no	FFE4h-FFE5h
12		Not Used			no	FFE2h-FFE3h
13	PWM ART	PWM ART Overflow Interrupt	ARTCSR	Lowest Priority	Yes	FFE0h-FFE1h

**Note 1:** Valid for HALT and ACTIVE-HALT modes except for the MCC/RTC interrupt source which exits from ACTIVE-HALT mode only.



## INTERRUPTS (Cont'd)

Table 8. Nested Interrupts Register Map and Reset Values

Address (Hex.)	Register Label	7	6	5	4	3	2	1	0
0024h	ISPR0 Reset Value	ei1		ei0		MCC/RTC		TLI	
		I1_3 1	I0_3 1	I1_2 1	I0_2 1	I1_1 1	I0_1 1	1	1
0025h	ISPR1 Reset Value	SPI		CAN		ei3		ei2	
		I1_7 1	I0_7 1	I1_6 1	I0_6 1	I1_5 1	I0_5 1	I1_4 1	I0_4 1
0026h	ISPR2 Reset Value	EEPROM		SCI		TIMER B		TIMER A	
		I1_11 1	I0_11 1	I1_10 1	I0_10 1	I1_9 1	I0_9 1	I1_8 1	I0_8 1
0027h	ISPR3 Reset Value	1	1	1	1	PWMART		Not Used	
						I1_13 1	I0_13 1	I1_12 1	I0_12 1

## 7 POWER SAVING MODES

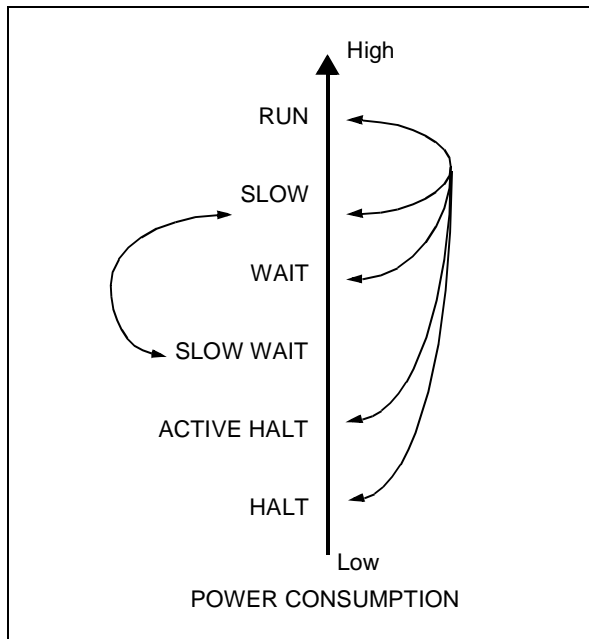
### 7.1 INTRODUCTION

To give a large measure of flexibility to the application in terms of power consumption, four main power saving modes are implemented in the ST7 (see Figure 18): SLOW, WAIT (SLOW WAIT), ACTIVE HALT and HALT.

After a RESET the normal operating mode is selected by default (RUN mode). This mode drives the device (CPU and embedded peripherals) by means of a master clock which is based on the main oscillator frequency divided by 2 ( $f_{CPU}$ ).

From RUN mode, the different power saving modes may be selected by setting the relevant register bits or by calling the specific ST7 software instruction whose action depends on the oscillator status.

Figure 18. Power Saving Mode Transitions



### 7.2 SLOW MODE

This mode has two targets:

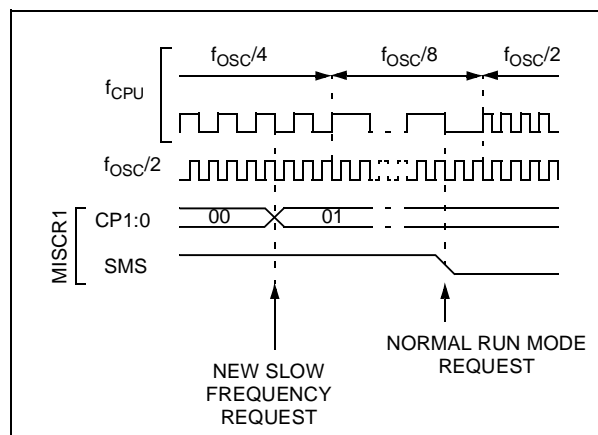
- To reduce power consumption by decreasing the internal clock in the device,
- To adapt the internal clock frequency ( $f_{CPU}$ ) to the available supply voltage.

SLOW mode is controlled by three bits in the MISCR1 register: the SMS bit which enables or disables Slow mode and two CPx bits which select the internal slow frequency ( $f_{CPU}$ ).

In this mode, the oscillator frequency can be divided by 4, 8, 16 or 32 instead of 2 in normal operating mode. The CPU and peripherals are clocked at this lower frequency.

**Note:** SLOW-WAIT mode is activated when entering the WAIT mode while the device is already in SLOW mode.

Figure 19. SLOW Mode Clock Transitions



## POWER SAVING MODES (Cont'd)

## 7.3 WAIT MODE

WAIT mode places the MCU in a low power consumption mode by stopping the CPU.

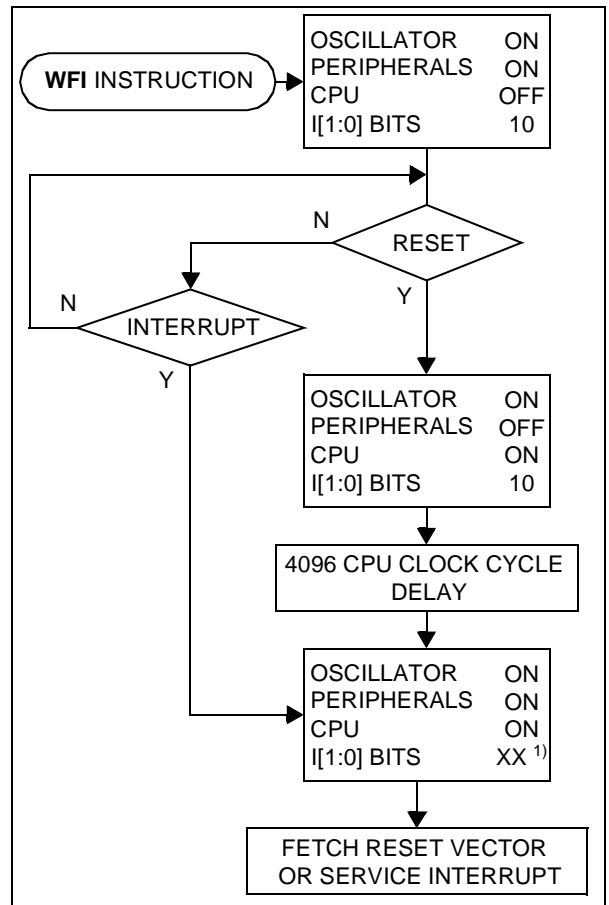
This power saving mode is selected by calling the 'WFI' instruction.

All peripherals remain active. During WAIT mode, the I[1:0] bits of the CC register are forced to '10', to enable all interrupts. All other registers and memory remain unchanged. The MCU remains in WAIT mode until an interrupt or RESET occurs, whereupon the Program Counter branches to the starting address of the interrupt or Reset service routine.

The MCU will remain in WAIT mode until a Reset or an Interrupt occurs, causing it to wake up.

Refer to [Figure 20](#).

Figure 20. WAIT Mode Flow-chart



**Note:**

1. Before servicing an interrupt, the CC register is pushed on the stack. The I[1:0] bits of the CC register are set to the current software priority level of the interrupt routine and recovered when the CC register is popped.

POWER SAVING MODES (Cont'd)

7.4 ACTIVE-HALT AND HALT MODES

ACTIVE-HALT and HALT modes are the two lowest power consumption modes of the MCU. They are both entered by executing the 'HALT' instruction. The decision to enter either in ACTIVE-HALT or HALT mode is given by the MCC/RTC interrupt enable flag (OIE bit in MCCR register).

MCCR OIE bit	Power Saving Mode entered when HALT instruction is executed
0	HALT mode
1	ACTIVE-HALT mode

7.4.1 ACTIVE-HALT MODE

ACTIVE-HALT mode is the lowest power consumption mode of the MCU with a real time clock available. It is entered by executing the 'HALT' instruction when the OIE bit of the Main Clock Controller Status register (MCCR) is set (see Section 10.2 on page 52 for more details on the MCCR register).

The MCU can exit ACTIVE-HALT mode on reception of either an MCC/RTC interrupt, a specific interrupt (see Table 7, "Interrupt Mapping," on page 32) or a RESET. When exiting ACTIVE-HALT mode by means of a RESET or an interrupt, a 4096 CPU cycle delay occurs. After the start up delay, the CPU resumes operation by servicing the interrupt or by fetching the reset vector which woke it up (see Figure 22).

When entering ACTIVE-HALT mode, the I[1:0] bits in the CC register are forced to '10' to enable interrupts. Therefore, if an interrupt is pending, the MCU wakes up immediately.

In ACTIVE-HALT mode, only the main oscillator and its associated counter (MCC/RTC) are running to keep a wake-up time base. All other peripherals are not clocked except those which get their clock supply from another clock generator (such as external or auxiliary oscillator).

The safeguard against staying locked in ACTIVE-HALT mode is provided by the oscillator interrupt.

**Note:** As soon as the interrupt capability of one of the oscillators is selected (MCCR.OIE bit set), entering ACTIVE-HALT mode while the Watchdog is active does not generate a RESET.

This means that the device cannot spend more than a defined delay in this power saving mode.

Figure 21. ACTIVE-HALT Timing Overview

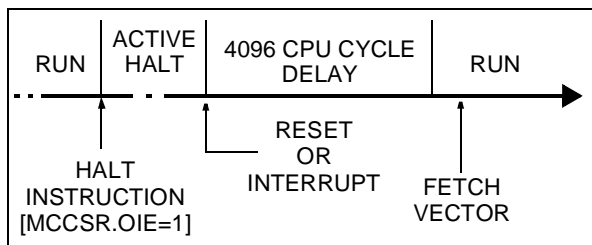
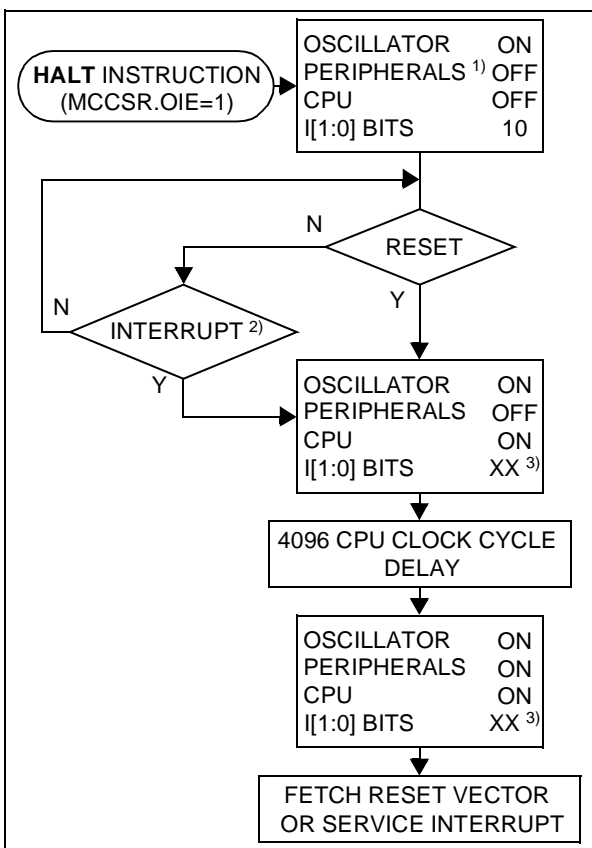


Figure 22. ACTIVE-HALT Mode Flow-chart



Notes:

1. Peripheral clocked with an external clock source can still be active.
2. Only the MCC/RTC interrupt and some specific interrupts can exit the MCU from ACTIVE-HALT mode (such as external interrupt). Refer to Table 7, "Interrupt Mapping," on page 32 for more details.
3. Before servicing an interrupt, the CC register is pushed on the stack. The I[1:0] bits of the CC register are set to the current software priority level of the interrupt routine and restored when the CC register is popped.

## POWER SAVING MODES (Cont'd)

### 7.4.2 HALT MODE

The HALT mode is the lowest power consumption mode of the MCU. It is entered by executing the 'HALT' instruction when the OIE bit of the Main Clock Controller Status register (MCCSR) is cleared (see [Section 10.2 on page 52](#) for more details on the MCCSR register).

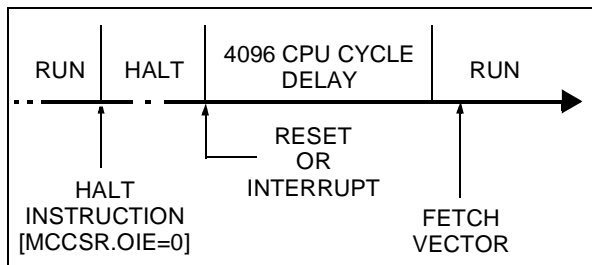
The MCU can exit HALT mode on reception of either a specific interrupt (see Table 7, "Interrupt Mapping," on page 32) or a RESET. When exiting HALT mode by means of a RESET or an interrupt, the oscillator is immediately turned on and the 4096 CPU cycle delay is used to stabilize the oscillator. After the start up delay, the CPU resumes operation by servicing the interrupt or by fetching the reset vector which woke it up (see [Figure 24](#)).

When entering HALT mode, the I bit in the CC register is forced to 0 to enable interrupts. Therefore, if an interrupt is pending, the MCU wakes immediately.

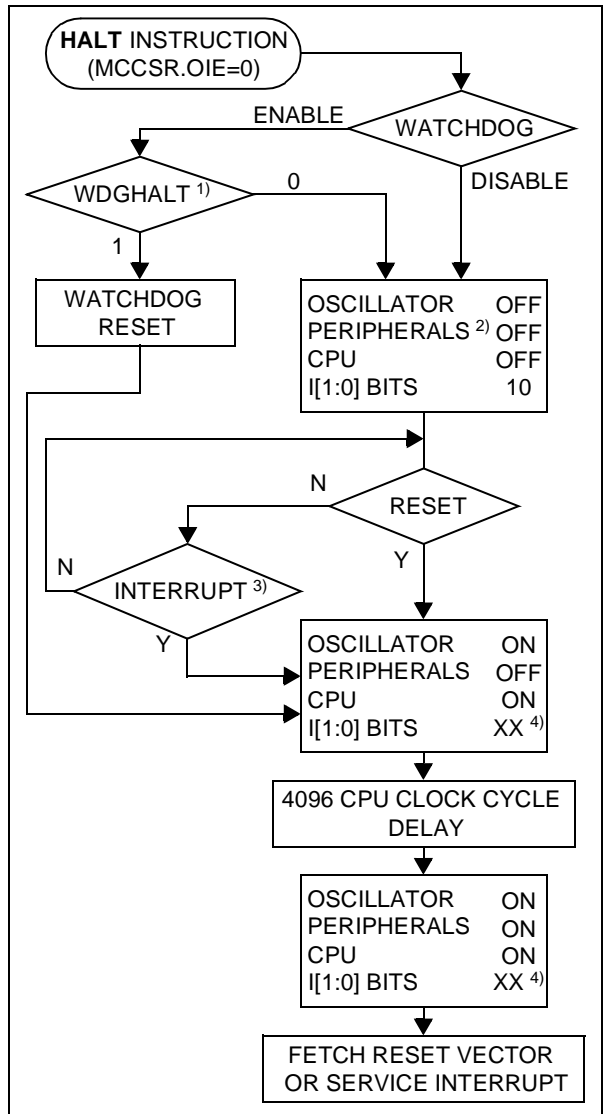
In HALT mode, the main oscillator is turned off causing all internal processing to be stopped, including the operation of the on-chip peripherals. All peripherals are not clocked except the ones which get their clock supply from another clock generator (such as an external or auxiliary oscillator).

The compatibility of Watchdog operation with HALT mode is configured by the "WDGHALT" option bit of the option byte. The HALT instruction when executed while the Watchdog system is enabled, can generate a Watchdog RESET (see [Section 14.1 on page 144](#) for more details).

**Figure 23. HALT Timing Overview**



**Figure 24. HALT Mode Flow-chart**



#### Notes:

1. WDGHALT is an option bit. See option byte section for more details.
2. Peripheral clocked with an external clock source can still be active.
3. Only some specific interrupts can exit the MCU from HALT mode (such as external interrupt). Refer to Table 7, "Interrupt Mapping," on page 32 for more details.
4. Before servicing an interrupt, the CC register is pushed on the stack. The I[1:0] bits of the CC register are set to the current software priority level of the interrupt routine and recovered when the CC register is popped.

## 8 I/O PORTS

### 8.1 INTRODUCTION

The I/O ports offer different functional modes:

- transfer of data through digital inputs and outputs and for specific pins:
- external interrupt generation
- alternate signal input/output for the on-chip peripherals.

An I/O port contains up to 8 pins. Each pin can be programmed independently as digital input (with or without interrupt generation) or digital output.

### 8.2 FUNCTIONAL DESCRIPTION

Each port has 2 main registers:

- Data Register (DR)
- Data Direction Register (DDR)

and one optional register:

- Option Register (OR)

Each I/O pin may be programmed using the corresponding register bits in the DDR and OR registers: bit X corresponding to pin X of the port. The same correspondence is used for the DR register.

The following description takes into account the OR register, (for specific ports which do not provide this register refer to the I/O Port Implementation section). The generic I/O block diagram is shown in [Figure 25](#)

#### 8.2.1 Input Modes

The input configuration is selected by clearing the corresponding DDR register bit.

In this case, reading the DR register returns the digital value applied to the external I/O pin.

Different input modes can be selected by software through the OR register.

#### Notes:

1. Writing the DR register modifies the latch value but does not affect the pin status.
2. When switching from input to output mode, the DR register has to be written first to drive the correct level on the pin as soon as the port is configured as an output.
3. Do not use read/modify/write instructions (BSET or BRES) to modify the DR register

#### External interrupt function

When an I/O is configured as Input with Interrupt, an event on this I/O can generate an external interrupt request to the CPU.

Each pin can independently generate an interrupt request. The interrupt sensitivity is independently

programmable using the sensitivity bits in the Miscellaneous register.

Each external interrupt vector is linked to a dedicated group of I/O port pins (see pinout description and interrupt section). If several input pins are selected simultaneously as interrupt source, these are logically NAnDED. For this reason if one of the interrupt pins is tied low, it masks the other ones.

In case of a floating input with interrupt configuration, special care must be taken when changing the configuration (see [Figure 26](#)).

The external interrupts are hardware interrupts, which means that the request latch (not accessible directly by the application) is automatically cleared when the corresponding interrupt vector is fetched. To clear an unwanted pending interrupt by software, the sensitivity bits in the Miscellaneous register must be modified.

#### 8.2.2 Output Modes

The output configuration is selected by setting the corresponding DDR register bit. In this case, writing the DR register applies this digital value to the I/O pin through the latch. Then reading the DR register returns the previously stored value.

Two different output modes can be selected by software through the OR register: Output push-pull and open-drain.

DR register value and output pin status:

DR	Push-pull	Open-drain
0	$V_{SS}$	$V_{SS}$
1	$V_{DD}$	Floating

#### 8.2.3 Alternate Functions

When an on-chip peripheral is configured to use a pin, the alternate function is automatically selected. This alternate function takes priority over the standard I/O programming.

When the signal is coming from an on-chip peripheral, the I/O pin is automatically configured in output mode (push-pull or open drain according to the peripheral).

When the signal is going to an on-chip peripheral, the I/O pin must be configured in input mode. In this case, the pin state is also digitally readable by addressing the DR register.

**Note:** Input pull-up configuration can cause unexpected value at the input of the alternate peripheral input. When an on-chip peripheral use a pin as input and output, this pin has to be configured in input floating mode.

I/O PORTS (Cont'd)

Figure 25. I/O Port General Block Diagram

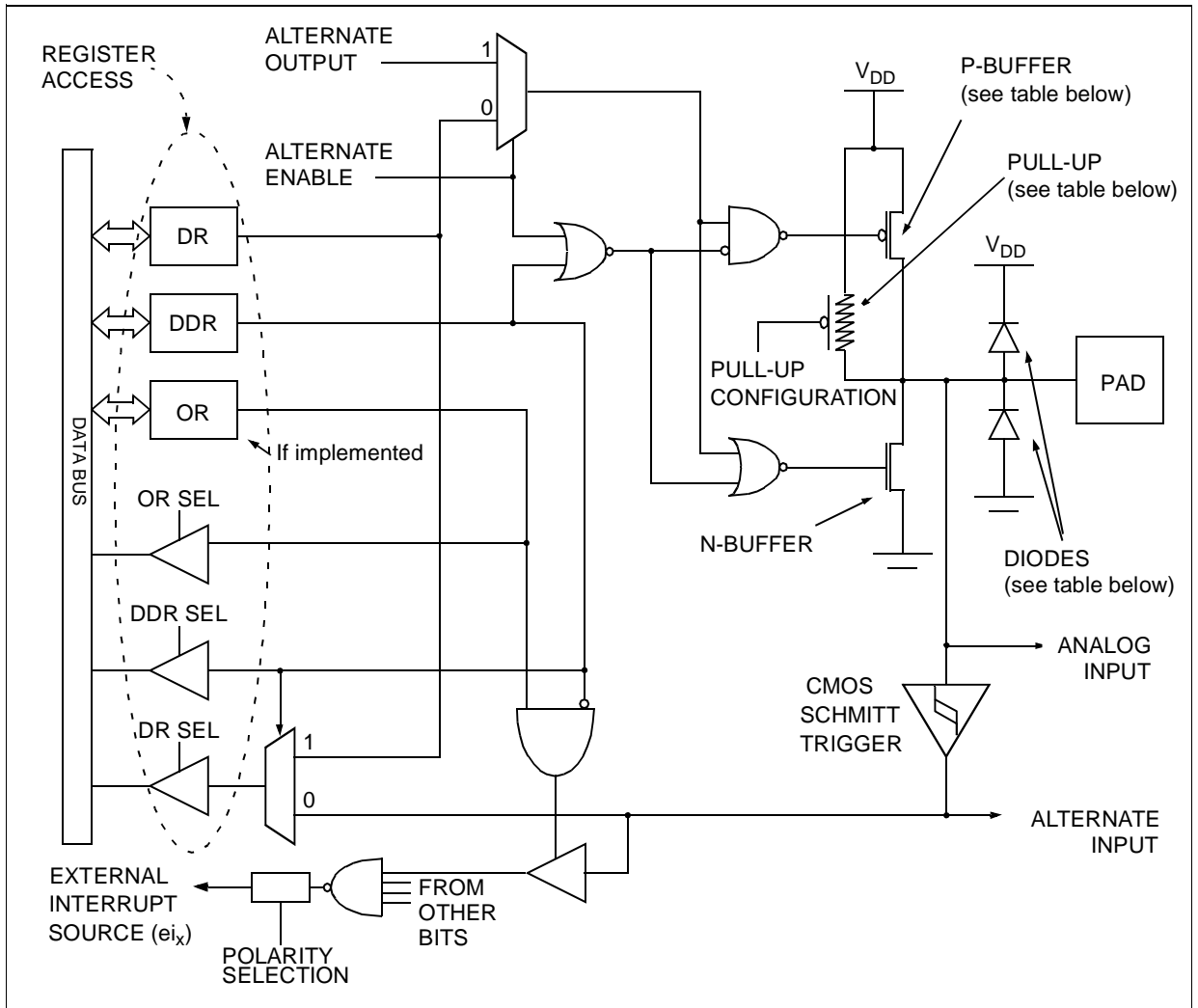


Table 9. I/O Port Mode Options

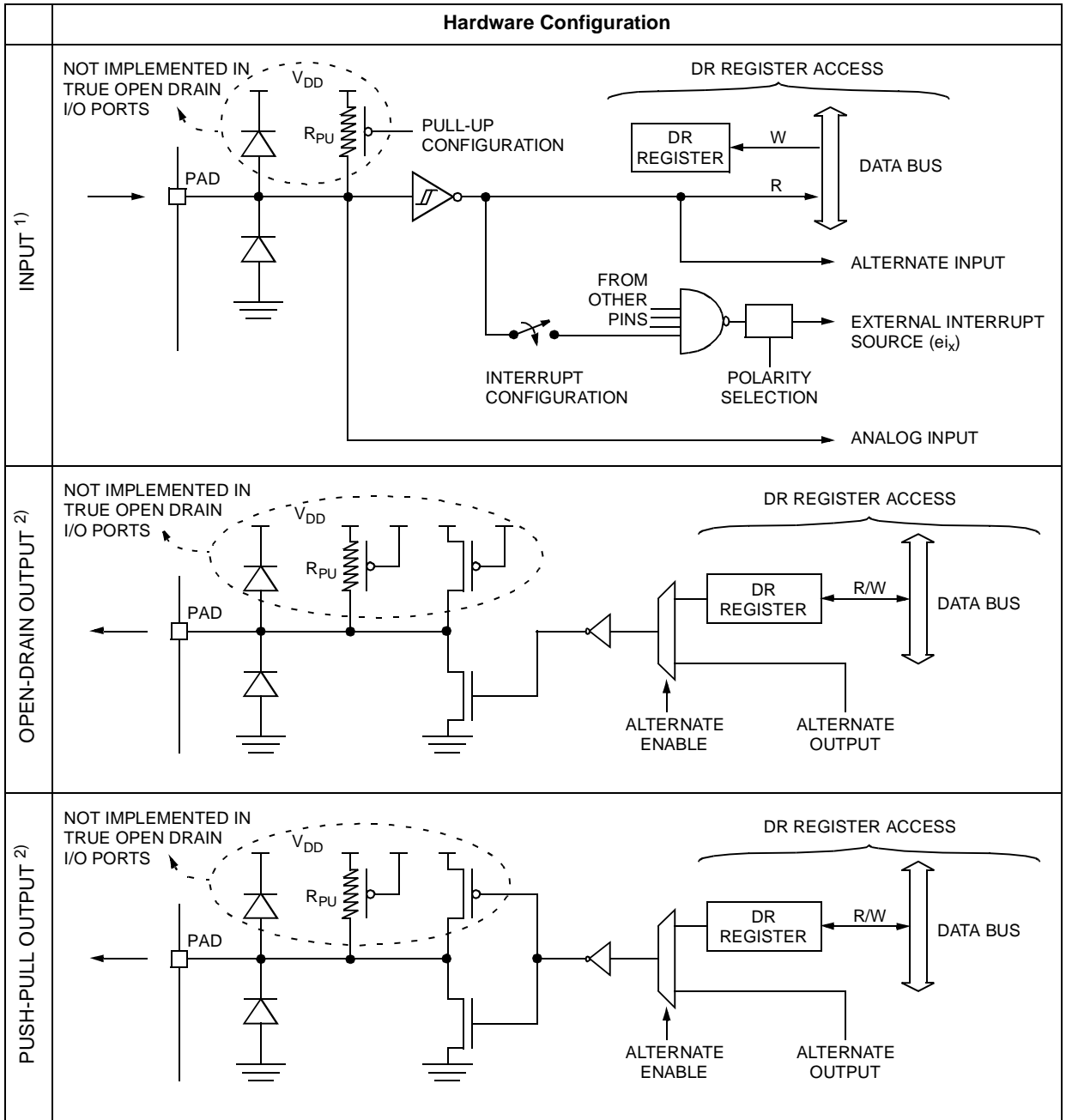
Configuration Mode		Pull-Up	P-Buffer	Diodes	
				to V <sub>DD</sub>	to V <sub>SS</sub>
Input	Floating with/without Interrupt	Off	Off	On	On
	Pull-up with/without Interrupt	On			
Output	Push-pull	Off	On	On	On
	Open Drain (logic level)		Off		
	True Open Drain	NI	NI	NI (see note)	

**Legend:** NI - not implemented  
 Off - implemented not activated  
 On - implemented and activated

**Note:** The diode to V<sub>DD</sub> is not implemented in the true open drain pads. A local protection between the pad and V<sub>SS</sub> is implemented to protect the device against positive stress.

I/O PORTS (Cont'd)

Table 10. I/O Port Configurations



Notes:

1. When the I/O port is in input configuration and the associated alternate function is enabled as an output, reading the DR register will read the alternate function output status.
2. When the I/O port is in output configuration and the associated alternate function is enabled as an input, the alternate function reads the pin status given by the DR register content.



## I/O PORTS (Cont'd)

**CAUTION:** The alternate function must not be activated as long as the pin is configured as input with interrupt, in order to avoid generating spurious interrupts.

### Analog alternate function

When the pin is used as an ADC input, the I/O must be configured as floating input. The analog multiplexer (controlled by the ADC registers) switches the analog voltage present on the selected pin to the common analog rail which is connected to the ADC input.

It is recommended not to change the voltage level or loading on any port pin while conversion is in progress. Furthermore it is recommended not to have clocking pins located close to a selected analog pin.

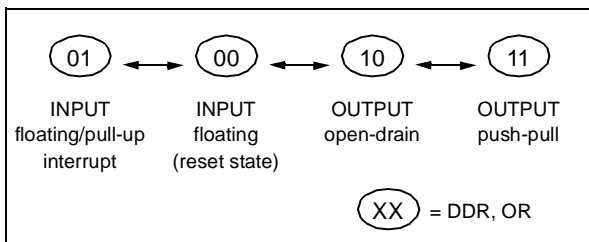
**WARNING:** The analog input voltage level must be within the limits stated in the absolute maximum ratings.

## 8.3 I/O PORT IMPLEMENTATION

The hardware implementation on each I/O port depends on the settings in the DDR and OR registers and specific feature of the I/O port such as ADC Input or true open drain.

Switching these I/O ports from one state to another should be done in a sequence that prevents unwanted side effects. Recommended safe transitions are illustrated in [Figure 26](#). Other transitions are potentially risky and should be avoided, since they are likely to present unwanted side-effects such as spurious interrupt generation.

**Figure 26. Interrupt I/O Port State Transitions**



The I/O port register configurations are summarized as follows.

### Standard Ports

**PA5:4, PC7:0, PD7:0, PE7:3, PE1:0, PF7:3**

MODE	DDR	OR
floating input	0	0
pull-up input	0	1
open drain output	1	0
push-pull output	1	1

### Interrupt Ports

**PA2:0, PB7:5, PB2:0, PF1:0 (with pull-up)**

MODE	DDR	OR
floating input	0	0
pull-up interrupt input	0	1
open drain output	1	0
push-pull output	1	1

**PA3, PB4, PB3, PF2 (without pull-up)**

MODE	DDR	OR
floating input	0	0
floating interrupt input	0	1
open drain output	1	0
push-pull output	1	1

### True Open Drain Ports

**PA7:6**

MODE	DDR
floating input	0
open drain (high sink ports)	1

### Pull-up Input Port (CANTX requirement)

**PE2**

MODE
pull-up input

I/O PORTS (Cont'd)

8.4 LOW POWER MODES

Mode	Description
WAIT	No effect on I/O ports. External interrupts cause the device to exit from WAIT mode.
HALT	No effect on I/O ports. External interrupts cause the device to exit from HALT mode.

8.5 INTERRUPTS

The external interrupt event generates an interrupt if the corresponding configuration is selected with DDR and OR registers and the interrupt mask in the CC register is not active (RIM instruction).

Interrupt Event	Event Flag	Enable Control Bit	Exit from Wait	Exit from Halt
External interrupt on selected external event	-	DDRx ORx	Yes	Yes

Table 11. Port Configuration

Port	Pin name	Input		Output		
		OR = 0	OR = 1	OR = 0	OR = 1	High-Sink
Port A	PA7:6	floating		true open-drain		Yes
	PA5:4	floating	pull-up	open drain	push-pull	
	PA3	floating	floating interrupt	open drain	push-pull	No
	PA2:0	floating	pull-up interrupt	open drain	push-pull	
Port B	PB4, PB3	floating	floating interrupt	open drain	push-pull	
	PB7:5, PB2:0	floating	pull-up interrupt	open drain	push-pull	
Port C	PC7:0	floating	pull-up	open drain	push-pull	PC3:2 only
Port D	PD7:0	floating	pull-up	open drain	push-pull	No
Port E	PE7:3, PE1:0	floating	pull-up	open drain	push-pull	PE7:4 only
	PE2	pull-up input only *				No
Port F	PF7:3	floating	pull-up	open drain	push-pull	PF7:6 only
	PF2	floating	floating interrupt	open drain	push-pull	No
	PF1:0	floating	pull-up interrupt	open drain	push-pull	

\* Note: when the CANTX alternate function is selected the IO port operates in output push-pull mode.

**I/O PORTS** (Cont'd)**8.5.1 Register Description****DATA REGISTER (DR)**

Port x Data Register

PxDR with x = A, B, C, D, E or F.

Read/Write

Reset Value: 0000 0000 (00h)

7							0
D7	D6	D5	D4	D3	D2	D1	D0

Bit 7:0 = **D[7:0]** *Data register 8 bits.*

The DR register has a specific behaviour according to the selected input/output configuration. Writing the DR register is always taken into account even if the pin is configured as an input; this allows to always have the expected level on the pin when toggling to output mode. Reading the DR register returns either the DR register latch content (pin configured as output) or the digital value applied to the I/O pin (pin configured as input).

**DATA DIRECTION REGISTER (DDR)**

Port x Data Direction Register

PxDDR with x = A, B, C, D, E or F.

Read/Write

Reset Value: 0000 0000 (00h)

7							0
DD7	DD6	DD5	DD4	DD3	DD2	DD1	DD0

Bit 7:0 = **DD[7:0]** *Data direction register 8 bits.*

The DDR register gives the input/output direction configuration of the pins. Each bits is set and cleared by software.

0: Input mode  
1: Output mode

**OPTION REGISTER (OR)**

Port x Option Register

PxOR with x = A, B, C, D, E or F.

Read/Write

Reset Value: 0000 0000 (00h)

7							0
O7	O6	O5	O4	O3	O2	O1	O0

Bit 7:0 = **O[7:0]** *Option register 8 bits.*

For specific I/O pins, this register is not implemented. In this case the DDR register is enough to select the I/O pin configuration.

The OR register allows to distinguish: in input mode if the pull-up with interrupt capability or the basic pull-up configuration is selected, in output mode if the push-pull or open drain configuration is selected.

Each bit is set and cleared by software.

Input mode:

0: floating input

1: pull-up input with or without interrupt

Output mode:

0: output open drain (with P-Buffer unactivated)

1: output push-pull

## I/O PORTS (Cont'd)

Table 12. I/O Port Register Map and Reset Values

Address (Hex.)	Register Label	7	6	5	4	3	2	1	0
Reset Value of all IO port registers		0	0	0	0	0	0	0	0
0000h	PADR	MSB							LSB
0001h	PADDR								
0002h	PAOR								
0004h	PCDR	MSB							LSB
0005h	PCDDR								
0006h	PCOR								
0008h	PBDR	MSB							LSB
0009h	PBDDR								
000Ah	PBOR								
000Ch	PEDR	MSB							LSB
000Dh	PEDDR								
000Eh	PEOR								
0010h	PDDR	MSB							LSB
0011h	PDDDR								
0012h	PDOR								
0014h	PFDR	MSB							LSB
0015h	PFDDR								
0016h	PFOR								

## 9 MISCELLANEOUS REGISTERS

The miscellaneous registers allow control over several features such as the external interrupts or the I/O alternate functions.

### 9.1 I/O PORT INTERRUPT SENSITIVITY

The external interrupt sensitivity is controlled by the IPA, IPB and ISxx bits of the Miscellaneous registers (Figure 27). This control allows to have up to 4 fully independent external interrupt source sensitivities.

Each external interrupt source can be generated on four (or five) different events on the pin:

- Falling edge
- Rising edge
- Falling and rising edge
- Falling edge and low level
- Rising edge and high level (only for ei0 and ei2)

To guarantee correct functionality, the sensitivity bits in the MISCR registers must be modified only when the I1 and I0 bits of the CC register are both set to 1 (level 3). See I/O port register and Miscellaneous register descriptions for more details on the programming.

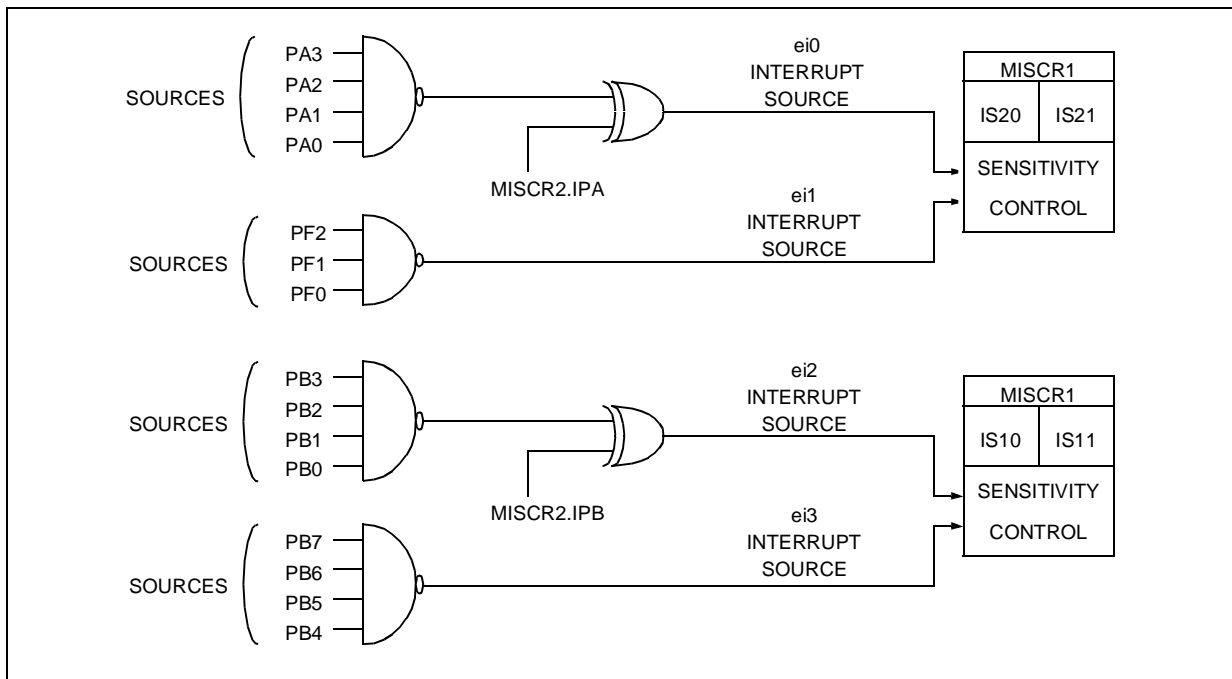
### 9.2 I/O PORT ALTERNATE FUNCTIONS

The MISCR registers allow to manage four I/O port miscellaneous alternate functions:

- Main clock signal ( $f_{OSC}/2$ ) output on PF0
- A Beep signal output on PF1 (with three selectable audio frequencies)
- A TLI management on a dedicated pin
- A SPI  $\overline{SS}$  pin internal control to use the PC7 I/O port function while the SPI is active.

These functions are described in details in the [Section 9.3 "MISCELLANEOUS REGISTERS" on page 46](#).

Figure 27. External Interrupt Sources vs MISCR



MISCELLANEOUS REGISTERS (Cont'd)

9.3 MISCELLANEOUS REGISTERS

MISCELLANEOUS REGISTER 1 (MISCR1)

Read/Write

Reset Value: 0000 0000 (00h)

7							0
IS11	IS10	MCO	IS21	IS20	CP1	CP0	SMS

Bit 7:6 = **IS1[1:0]** *ei2 and ei3 sensitivity*  
 The interrupt sensitivity, defined using the IS1[1:0] bits, is applied to the following external interrupts:  
 - ei2 (port B3..0)

IS11	IS10	External Interrupt Sensitivity	
		MISCR2.IPB=0	MISCR2.IPB=1
0	0	Falling edge & low level	Rising edge & high level
0	1	Rising edge only	Falling edge only
1	0	Falling edge only	Rising edge only
1	1	Rising and falling edge	

- ei3 (port B7..4)

IS11	IS10	External Interrupt Sensitivity
0	0	Falling edge & low level
0	1	Rising edge only
1	0	Falling edge only
1	1	Rising and falling edge

These 2 bits can be written only when I1 and I0 of the CC register are both set to 1 (level 3).

Bit 5 = **MCO** *Main clock out selection*  
 This bit enables the MCO alternate function on the PF0 I/O port. It is set and cleared by software.  
 0: MCO alternate function disabled (I/O pin free for general-purpose I/O)  
 1: MCO alternate function enabled ( $f_{OSC}/2$  on I/O port)

**Note:** To reduce power consumption, the MCO function is not active in ACTIVE-HALT mode.

Bit 4:3 = **IS2[1:0]** *ei0 and ei1 sensitivity*  
 The interrupt sensitivity, defined using the IS2[1:0] bits, is applied to the following external interrupts:

- ei0 (port A3..0)

IS21	IS20	External Interrupt Sensitivity	
		MISCR2.IPA=0	MISCR2.IPA=1
0	0	Falling edge & low level	Rising edge & high level
0	1	Rising edge only	Falling edge only
1	0	Falling edge only	Rising edge only
1	1	Rising and falling edge	

- ei1 (port F2..0)

IS21	IS20	External Interrupt Sensitivity
0	0	Falling edge & low level
0	1	Rising edge only
1	0	Falling edge only
1	1	Rising and falling edge

These 2 bits can be written only when I1 and I0 of the CC register are both set to 1 (level 3).

Bit 2:1 = **CP[1:0]** *CPU clock prescaler*  
 These bits select the CPU clock prescaler which is applied in the different slow modes. Their action is conditioned by the setting of the SMS bit. These two bits are set and cleared by software

$f_{CPU}$ in SLOW mode	CP1	CP0
$f_{OSC} / 4$	0	0
$f_{OSC} / 8$	1	0
$f_{OSC} / 16$	0	1
$f_{OSC} / 32$	1	1

Bit 0 = **SMS** *Slow mode select*  
 This bit is set and cleared by software.  
 0: Normal mode.  $f_{CPU} = f_{OSC} / 2$   
 1: Slow mode.  $f_{CPU}$  is given by CP1, CP0  
 See [Section 7.2 "SLOW MODE" on page 34](#) and [Section 10.2 "MAIN CLOCK CONTROLLER WITH REAL TIME CLOCK TIMER \(MCC/RTC\)" on page 52](#) for more details.

**MISCELLANEOUS REGISTERS** (Cont'd)**MISCELLANEOUS REGISTER 2 (MISCR2)**

Read/Write

Reset Value: 0000 0000 (00h)

7							0
IPA	IPB	BC1	BC0	TLIS	TLIE	SSM	SSI

**Bit 7 = IPA Interrupt polarity for port A**

This bit is used to invert the sensitivity of the port A [3:0] external interrupts. It is set and cleared by software.

0: No sensitivity inversion

1: Sensitivity inversion

See [Section 9.1 "I/O PORT INTERRUPT SENSITIVITY" on page 45](#) and the description of the IS2x bits of the MISCR1 register for more details.

**Bit 6 = IPB Interrupt polarity for port B**

This bit is used to invert the sensitivity of the port B [3:0] external interrupts. It is set and cleared by software.

0: No sensitivity inversion

1: Sensitivity inversion

See [Section 9.1 "I/O PORT INTERRUPT SENSITIVITY" on page 45](#) and the description of the IS1x bits of the MISCR1 register for more details.

**Bit 5:4 = BC[1:0] Beep control**

These 2 bits select the PF1 pin beep capability.

BC1	BC0	Beep mode with $f_{osc}=16MHz$	
0	0	Off	
0	1	~2-KHz	Output Beep signal ~50% duty cycle
1	0	~1-KHz	
1	1	~500-Hz	

The beep output signal is available in ACTIVE-HALT mode but has to be disabled to reduce the consumption.

**Bit 3 = TLIS TLI sensitivity**

This bit allows to toggle the TLI edge sensitivity. It can be set and cleared by software only when TLIE bit is cleared.

0: Falling edge

1: Rising edge

**Bit 2 = TLIE TLI enable**

This bit allows to enable or disable the TLI capability on the dedicated pin. It is set and cleared by software.

0: TLI disabled

1: TLI enabled

**Note:** a parasitic interrupt can be generated when clearing the TLIE bit.

**Bit 1 = SSM  $\overline{SS}$  mode selection**

This bit is set and cleared by software.

0: Normal mode - the level of the SPI  $\overline{SS}$  signal is input from the external  $\overline{SS}$  pin.1: I/O mode (PC7), the level of the SPI  $\overline{SS}$  signal is read from the SSI bit.**Bit 0 = SSI  $\overline{SS}$  internal mode**

This bit replaces pin  $\overline{SS}$  of the SPI when bit SSM is set to 1. (see SPI description). It is set and cleared by software.

## MISCELLANEOUS REGISTERS (Cont'd)

Table 13. Miscellaneous Register Map and Reset Values

Address (Hex.)	Register Label	7	6	5	4	3	2	1	0
0020h	<b>MISCR1</b> Reset Value	IS11 0	IS10 0	MCO 0	IS21 0	IS20 0	CP1 0	CP0 0	SMS 0
0040h	<b>MISCR2</b> Reset Value	IPA 0	IPB 0	BC1 0	BC0 0	TLIS 0	TLIE 0	SSM 0	SSI 0



## 10 ON-CHIP PERIPHERALS

### 10.1 WATCHDOG TIMER (WDG)

#### 10.1.1 Introduction

The Watchdog timer is used to detect the occurrence of a software fault, usually generated by external interference or by unforeseen logical conditions, which causes the application program to abandon its normal sequence. The Watchdog circuit generates an MCU reset on expiry of a programmed time period, unless the program refreshes the counter's contents before the T6 bit becomes cleared.

#### 10.1.2 Main Features

- Programmable timer (64 increments of 12288 CPU cycles)
- Programmable reset
- Reset (if watchdog activated) after a HALT instruction or when the T6 bit reaches zero

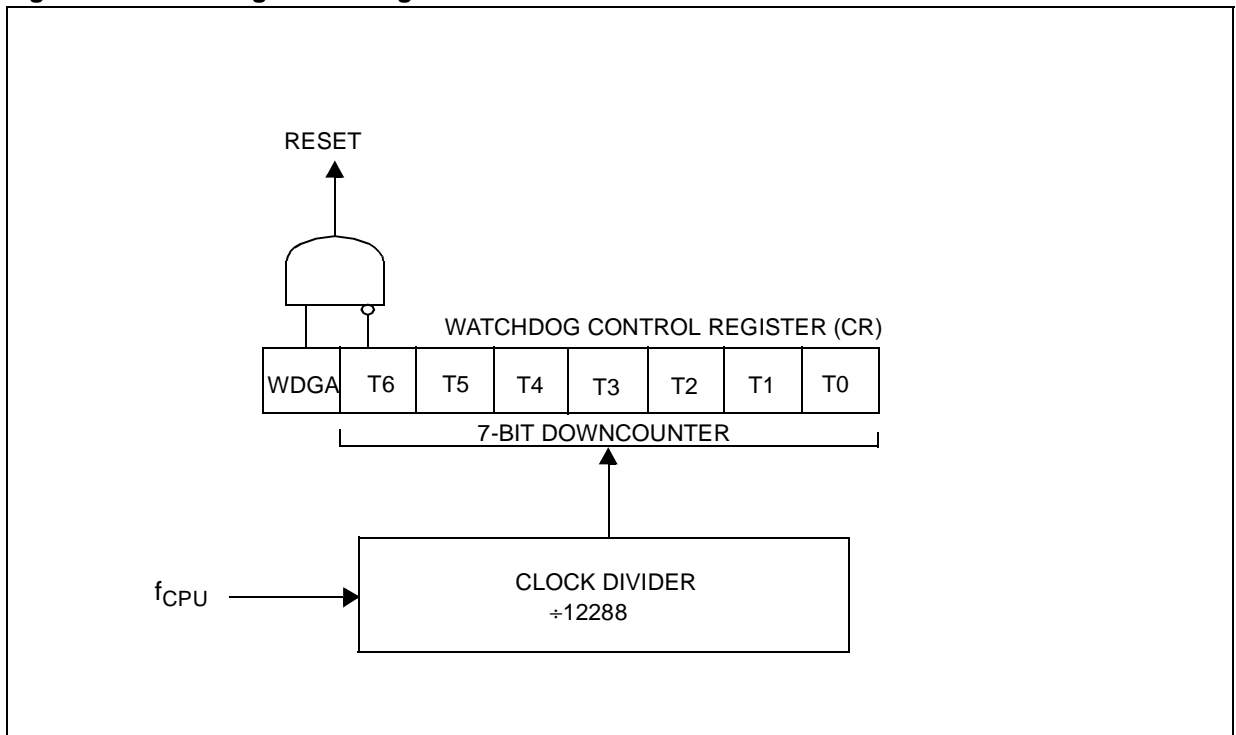
- Hardware Watchdog selectable by option byte
- Watchdog Reset indicated by status flag (in versions with Safe Reset option only)

#### 10.1.3 Functional Description

The counter value stored in the CR register (bits T[6:0]), is decremented every 12,288 machine cycles, and the length of the timeout period can be programmed by the user in 64 increments.

If the watchdog is activated (the WDGA bit is set) and when the 7-bit timer (bits T[6:0]) rolls over from 40h to 3Fh (T6 becomes cleared), it initiates a reset cycle pulling low the reset pin for typically 500ns.

**Figure 28. Watchdog Block Diagram**



**WATCHDOG TIMER (Cont'd)**

The application program must write in the CR register at regular intervals during normal operation to prevent an MCU reset. The value to be stored in the CR register must be between FFh and C0h (see Table 14 .Watchdog Timing (fCPU = 8 MHz)):

- The WDGA bit is set (watchdog enabled)
- The T6 bit is set to prevent generating an immediate reset
- The T[5:0] bits contain the number of increments which represents the time delay before the watchdog produces a reset.

**Table 14. Watchdog Timing (fCPU = 8 MHz)**

	CR Register initial value	WDG timeout period (ms)
Max	FFh	98.304
Min	C0h	1.536

**Notes:** Following a reset, the watchdog is disabled. Once activated it cannot be disabled, except by a reset.

The T6 bit can be used to generate a software reset (the WDGA bit is set and the T6 bit is cleared).

If the watchdog is activated, the HALT instruction will generate a Reset.

**10.1.4 Hardware Watchdog Option**

If Hardware Watchdog is selected by option byte, the watchdog is always active and the WDGA bit in the CR is not used.

Refer to the device-specific Option Byte description.

**10.1.5 Low Power Modes**

Mode	Description
WAIT	No effect on Watchdog.
HALT	Immediate reset generation as soon as the HALT instruction is executed if the Watchdog is activated (WDGA bit is set).

**10.1.6 Interrupts**

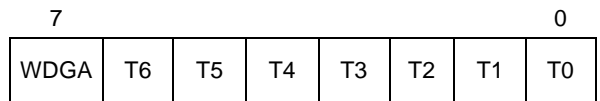
None.

**10.1.7 Register Description**

**CONTROL REGISTER (CR)**

Read/Write

Reset Value: 0111 1111 (7Fh)



Bit 7 = **WDGA** Activation bit.

This bit is set by software and only cleared by hardware after a reset. When WDGA = 1, the watchdog can generate a reset.

0: Watchdog disabled

1: Watchdog enabled

**Note:** This bit is not used if the hardware watchdog option is enabled by option byte.

Bit 6:0 = **T[6:0]** 7-bit timer (MSB to LSB).

These bits contain the decremented value. A reset is produced when it rolls over from 40h to 3Fh (T6 becomes cleared).

**STATUS REGISTER (SR)**

Read/Write

Reset Value\*: 0000 0000 (00h)



Bit 0 = **WDOGF** Watchdog flag.

This bit is set by a watchdog reset and cleared by software or a power on/off reset. This bit is useful for distinguishing power/on off or external reset and watchdog reset.

0: No Watchdog reset occurred

1: Watchdog reset occurred

\* Only by software and power on/off reset

**Note:** This register is not used in versions without LVD Reset.

**WATCHDOG TIMER** (Cond't)**Table 15. Watchdog Timer Register Map and Reset Values**

Address (Hex.)	Register Label	7	6	5	4	3	2	1	0
002Ah	<b>WDGCR</b> Reset Value	WDGA 0	T6 1	T5 1	T4 1	T3 1	T2 1	T1 1	T0 1
002Bh	<b>WDGSR</b> Reset Value	- 0	- 0	- 0	- 0	- 0	- 0	- 0	WDOGF 0

### 10.2 MAIN CLOCK CONTROLLER WITH REAL TIME CLOCK TIMER (MCC/RTC)

The Main Clock Controller consists of three different functions:

- a programmable CPU clock prescaler
- a clock-out signal to supply external devices
- a real time clock timer with interrupt capability

Each function can be used independently and simultaneously.

#### 10.2.1 Programmable CPU Clock Prescaler

The programmable CPU clock prescaler supplies the clock for the ST7 CPU and its internal peripherals. It manages SLOW power saving mode (See Section 7.2 "SLOW MODE" on page 34 for more details).

The prescaler selects the  $f_{CPU}$  main clock frequency and is controlled by three bits in the MISCR1 register: CP[1:0] and SMS.

**CAUTION:** The prescaler does not act on the CAN peripheral clock source. This peripheral is always supplied by the  $f_{OSC}/2$  clock source.

#### 10.2.2 Clock-out Capability

The clock-out capability is an alternate function of an I/O port pin that outputs a  $f_{OSC}/2$  clock to drive external devices. It is controlled by the MCO bit in the MISCR1 register.

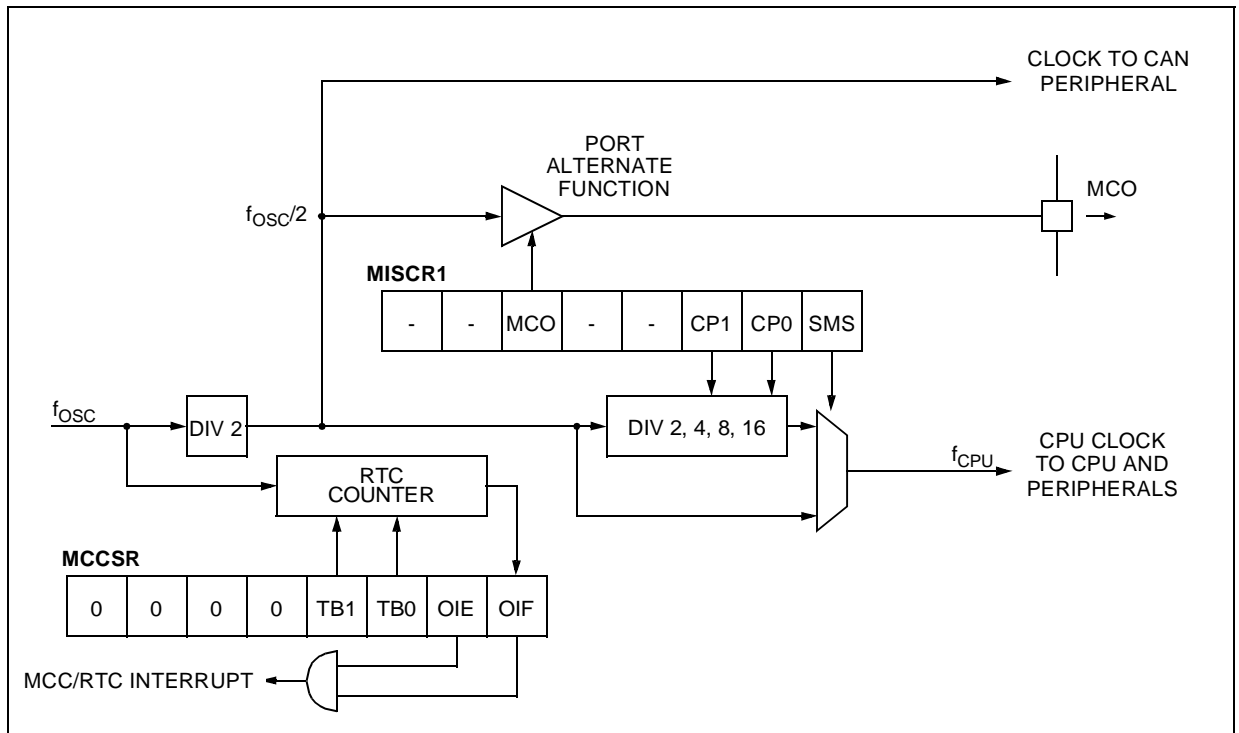
**CAUTION:** When selected, the clock out pin suspends the clock during ACTIVE-HALT mode.

#### 10.2.3 Real Time Clock Timer (RTC)

The counter of the real time clock timer allows an interrupt to be generated based on an accurate real time clock. Four different time bases depending directly on  $f_{OSC}$  are available. The whole functionality is controlled by four bits of the MCCR register: TB[1:0], OIE and OIF.

When the RTC interrupt is enabled (OIE bit set), the ST7 enters ACTIVE-HALT mode when the HALT instruction is executed. See Section 7.4 "ACTIVE-HALT AND HALT MODES" on page 36 for more details.

Figure 29. Main Clock Controller (MCC/RTC) Block Diagram



**MAIN CLOCK CONTROLLER WITH REAL TIME CLOCK TIMER (Cont'd)**

**10.2.4 Register Description**

**MISCELLANEOUS REGISTER 1 (MISCR1)**

See "MISCELLANEOUS REGISTERS" Section.

**MAIN CLOCK CONTROL/STATUS REGISTER (MCCSR)**

Read/Write

Reset Value: 0000 0001 (01h)

7							0
0	0	0	0	TB1	TB0	OIE	OIF

Bit 7:4 = Reserved, always read as 0.

Bit 3:2 = **TB[1:0]** *Time base control*

These bits select the programmable divider time base. They are set and cleared by software.

Counter Prescaler	Time Base		TB1	TB0
	f <sub>osc</sub> =8MHz	f <sub>osc</sub> =16MHz		
32000	4ms	2ms	0	0
64000	8ms	4ms	0	1
160000	20ms	10ms	1	0
400000	50ms	25ms	1	1

A modification of the time base is taken into account at the end of the current period (previously set) to avoid an unwanted time shift. This allows to use this time base as a real time clock.

Bit 1 = **OIE** *Oscillator interrupt enable*

This bit set and cleared by software.

0: Oscillator interrupt disabled

1: Oscillator interrupt enabled

This interrupt can be used to exit from ACTIVE-HALT mode.

When this bit is set, calling the ST7 software HALT instruction enters the ACTIVE-HALT power saving mode.

**Table 16. MCC/RTC Register Map and Reset Values**

Address (Hex.)	Register Label	7	6	5	4	3	2	1	0
0029h	MCCSR Reset Value	0	0	0	0	TB1 0	TB0 0	OIE 0	OIF 1

Bit 0 = **OIF** *Oscillator interrupt flag*

This bit is set by hardware and cleared by software reading the CSR register. It indicates when set that the main oscillator has reached the selected elapsed time (TB1:0).

0: Timeout not reached

1: Timeout reached

**CAUTION:** The BRES and BSET instructions must not be used on the MCCSR register to avoid unintentionally clearing the OIF bit.

**10.2.5 Low Power Modes**

Mode	Description
WAIT	No effect on MCC/RTC peripheral. MCC/RTC interrupt cause the device to exit from WAIT mode.
ACTIVE-HALT	No effect on MCC/RTC counter (OIE bit is set), the registers are frozen. MCC/RTC interrupt cause the device to exit from ACTIVE-HALT mode.
HALT	MCC/RTC counter and registers are frozen. MCC/RTC operation resumes when the MCU is woken up by an interrupt with "exit from HALT" capability.

**10.2.6 Interrupts**

The MCC/RTC interrupt event generates an interrupt if the OIE bit of the MCCSR register is set and the interrupt mask in the CC register is not active (RIM instruction).

Interrupt Event	Event Flag	Enable Control Bit	Exit from Wait	Exit from Halt
Time base overflow event	OIF	OIE	Yes	No <sup>1)</sup>

**Note:**

1. The MCC/RTC interrupt allows to exit from ACTIVE-HALT mode, not from HALT mode.

### 10.3 PWM AUTO-RELOAD TIMER (ART)

#### 10.3.1 Introduction

The Pulse Width Modulated Auto-Reload Timer on-chip peripheral consists of an 8-bit auto reload counter with compare capabilities and of a 7-bit prescaler clock source.

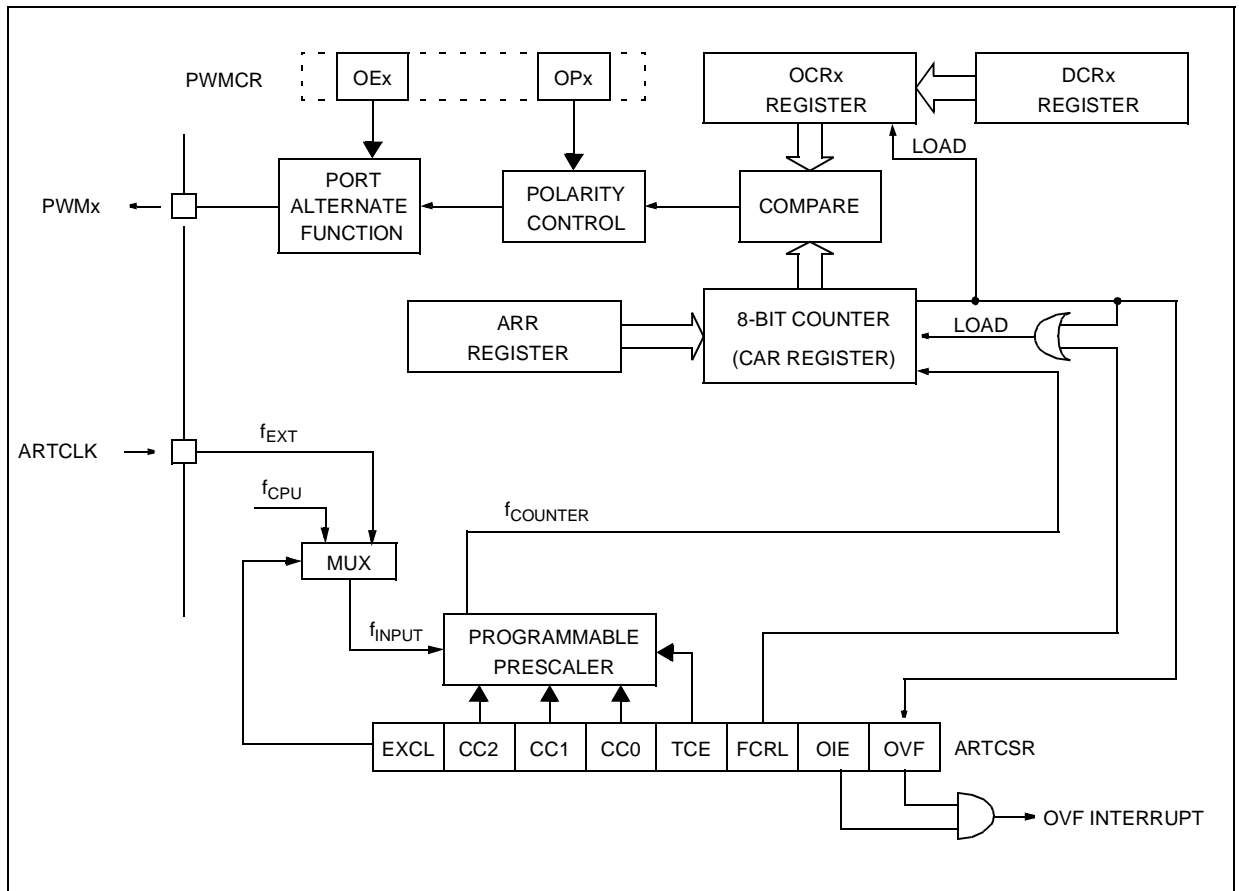
These resources allow three possible operating modes:

- Generation of up to 4 independent PWM signals
- Output compare and Time base interrupt
- External event detector

The two first modes can be used together with a single counter frequency.

The timer can be used to wake up the MCU from WAIT and HALT modes.

Figure 30. PWM Auto-Reload Timer Block Diagram



## PWM AUTO-RELOAD TIMER (Cont'd)

### 10.3.2 Functional Description

#### Counter

The free running 8-bit counter is fed by the output of the prescaler, and is incremented on every rising edge of the clock signal.

It is possible to read or write the contents of the counter on the fly by reading or writing the Counter Access register (ARTCAR).

When a counter overflow occurs, the counter is automatically reloaded with the contents of the ARTARR register (the prescaler is not affected).

#### Counter clock and prescaler

The counter clock frequency is given by:

$$f_{\text{COUNTER}} = f_{\text{INPUT}} / 2^{\text{CC}[2:0]}$$

The timer counter's input clock ( $f_{\text{INPUT}}$ ) feeds the 7-bit programmable prescaler, which selects one of the 8 available taps of the prescaler, as defined by CC[2:0] bits in the Control/Status Register (ARTCSR). Thus the division factor of the prescaler can be set to  $2^n$  (where  $n = 0, 1, \dots, 7$ ).

This  $f_{\text{INPUT}}$  frequency source is selected through the EXCL bit of the ARTCSR register and can be either the  $f_{\text{CPU}}$  or an external input frequency  $f_{\text{EXT}}$ . The clock input to the counter is enabled by the TCE (Timer Counter Enable) bit in the ARTCSR register. When TCE is reset, the counter is stopped and the prescaler and counter contents are frozen. When TCE is set, the counter runs at the rate of the selected clock source.

#### Counter and Prescaler Initialization

After RESET, the counter and the prescaler are cleared and  $f_{\text{INPUT}} = f_{\text{CPU}}$ .

The counter can be initialized by:

- Writing to the ARTARR register and then setting the FCRL (Force Counter Re-Load) and the TCE (Timer Counter Enable) bits in the ARTCSR register.

- Writing to the ARTCAR counter access register, In both cases the 7-bit prescaler is also cleared, whereupon counting will start from a known value.

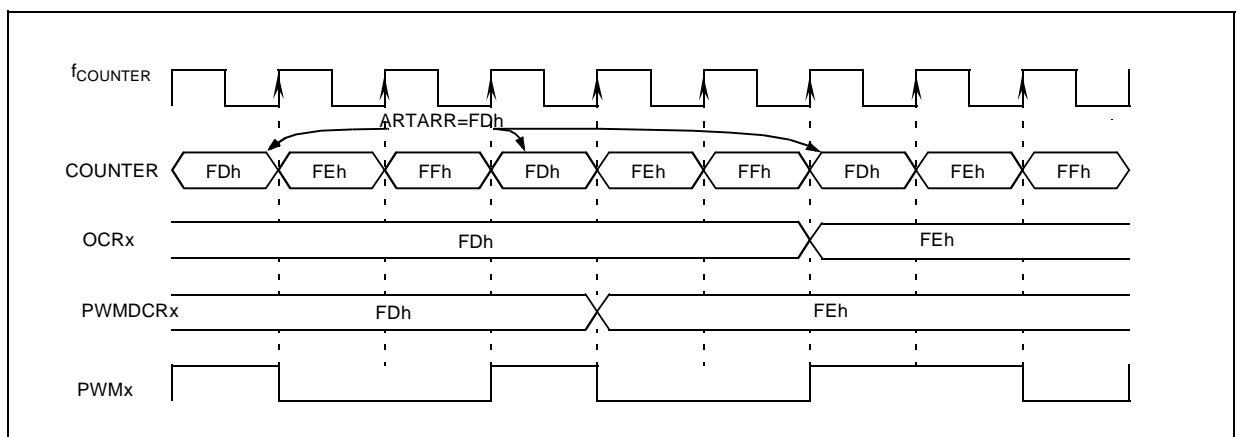
Direct access to the prescaler is not possible.

#### Output compare control

The timer compare function is based on four different comparisons with the counter (one for each PWMx output). Each comparison is made between the counter value and an output compare register (OCRx) value. This OCRx register can not be accessed directly, it is loaded from the duty cycle register (PWMDCRx) at each overflow of the counter.

This double buffering method avoids glitch generation when changing the duty cycle on the fly.

Figure 31. Output compare control



**PWM AUTO-RELOAD TIMER (Cont'd)**

**Independent PWM signal generation**

This mode allows up to four Pulse Width Modulated signals to be generated on the PWMx output pins with minimum core processing overhead. This function is stopped during HALT mode.

Each PWMx output signal can be selected independently using the corresponding OEx bit in the PWM Control register (PWMCR). When this bit is set, the corresponding I/O pin is configured as output push-pull alternate function.

The PWM signals all have the same frequency which is controlled by the counter period and the ARTARR register value.

$$f_{PWM} = f_{COUNTER} / (256 - ARTARR)$$

When a counter overflow occurs, the PWMx pin level is changed depending on the corresponding OPx (output polarity) bit in the PWMCR register.

When the counter reaches the value contained in one of the output compare register (OCRx) the corresponding PWMx pin level is restored.

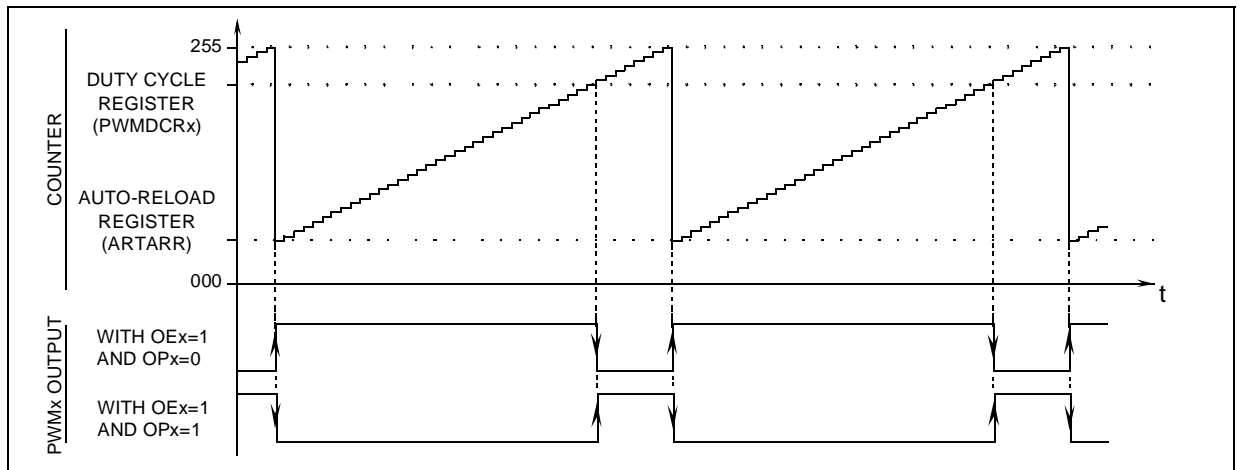
It should be noted that the reload values will also affect the value and the resolution of the duty cycle of the PWM output signal. To obtain a signal on a PWMx pin, the contents of the OCRx register must be greater than the contents of the ARTARR register.

The maximum available resolution for the PWMx duty cycle is:

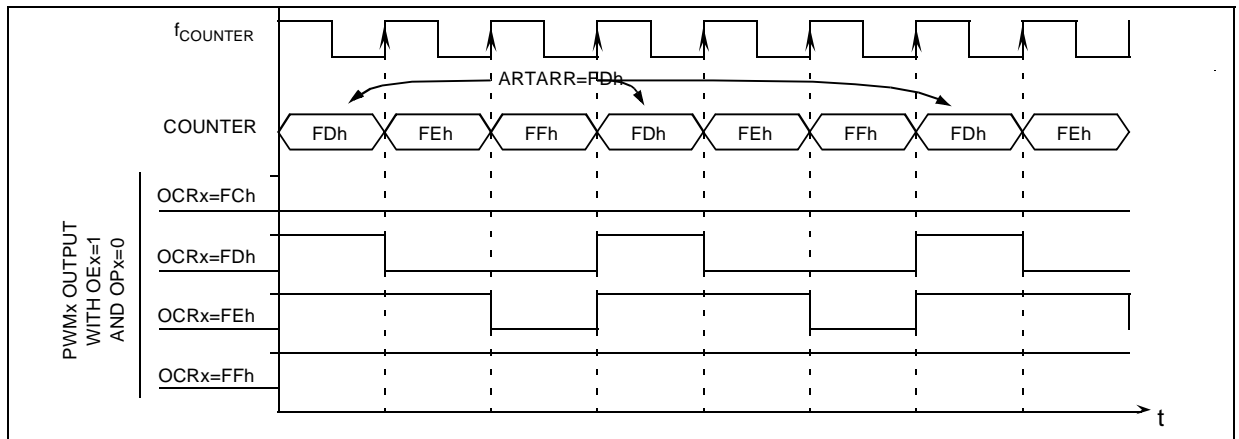
$$\text{Resolution} = 1 / (256 - ARTARR)$$

**Note:** To get the maximum resolution (1/256), the ARTARR register must be 0. With this maximum resolution, 0% and 100% can be obtained by changing the polarity.

**Figure 32. PWM Auto-reload Timer Function**



**Figure 33. PWM Signal from 0% to 100% Duty Cycle**





**PWM AUTO-RELOAD TIMER (Cont'd)****Output compare and Time base interrupt**

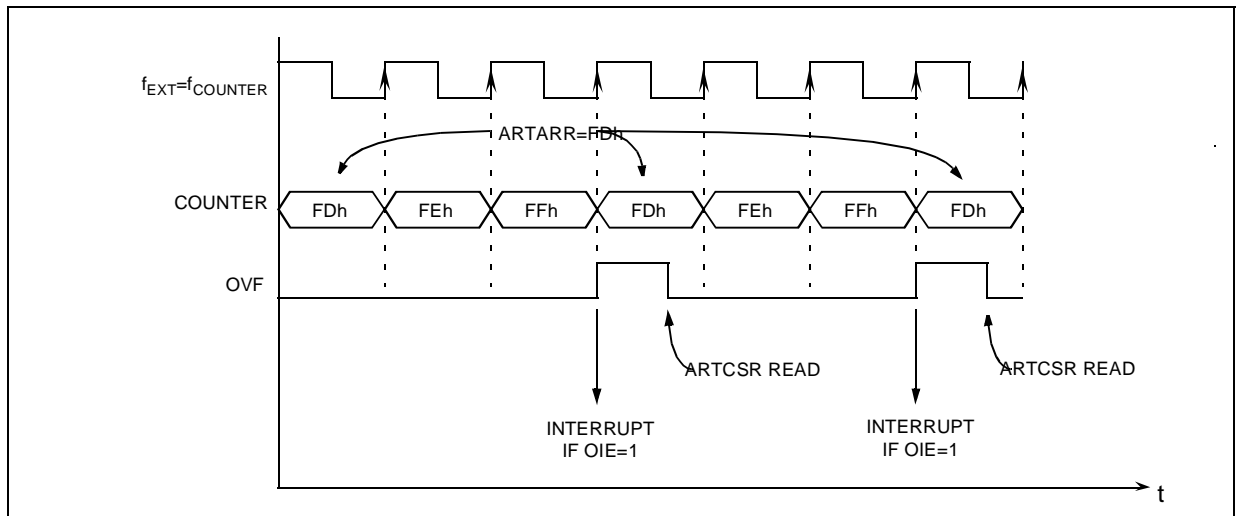
On overflow, the OVF flag of the ARTCSR register is set and an overflow interrupt request is generated if the overflow interrupt enable bit, OIE, in the ARTCSR register, is set. The OVF flag must be reset by the user software. This interrupt can be used as a time base in the application.

**External clock and event detector mode**

Using the  $f_{EXT}$  external prescaler input clock, the auto-reload timer can be used as an external clock event detector. In this mode, the ARTARR register is used to select the  $n_{EVENT}$  number of events to be counted before setting the OVF flag.

$$n_{EVENT} = 256 - ARTARR$$

When entering HALT mode while  $f_{EXT}$  is selected, all the timer control registers are frozen but the counter continues to increment. If the OIE bit is set, the next overflow of the counter will generate an interrupt which wakes up the MCU.

**Figure 34. External Event Detector Example (3 counts)**

**PWM AUTO-RELOAD TIMER (Cont'd)**

**10.3.3 Register Description**

**CONTROL / STATUS REGISTER (ARTCSR)**

Read/Write

Reset Value: 0000 0000 (00h)

7							0
EXCL	CC2	CC1	CC0	TCE	FCRL	OIE	OVF

Bit 7 = **EXCL** *External Clock*  
 This bit is set and cleared by software. It selects the input clock for the 7-bit prescaler.  
 0: CPU clock.  
 1: External clock.

Bit 6:4 = **CC[2:0]** *Counter Clock Control*  
 These bits are set and cleared by software. They determine the prescaler division ratio from  $f_{INPUT}$ .

$f_{COUNTER}$	With $f_{INPUT}=8$ MHz	CC2	CC1	CC0
$f_{INPUT}$	8 MHz	0	0	0
$f_{INPUT} / 2$	4 MHz	0	0	1
$f_{INPUT} / 4$	2 MHz	0	1	0
$f_{INPUT} / 8$	1 MHz	0	1	1
$f_{INPUT} / 16$	500 KHz	1	0	0
$f_{INPUT} / 32$	250 KHz	1	0	1
$f_{INPUT} / 64$	125 KHz	1	1	0
$f_{INPUT} / 128$	62.5 KHz	1	1	1

Bit 3 = **TCE** *Timer Counter Enable*  
 This bit is set and cleared by software. It puts the timer in the lowest power consumption mode.  
 0: Counter stopped (prescaler and counter frozen).  
 1: Counter running.

Bit 2 = **FCRL** *Force Counter Re-Load*  
 This bit is write-only and any attempt to read it will yield a logical zero. When set, it causes the contents of ARTARR register to be loaded into the counter, and the content of the prescaler register to be cleared in order to initialize the timer before starting to count.

Bit 1 = **OIE** *Overflow Interrupt Enable*  
 This bit is set and cleared by software. It allows to enable/disable the interrupt which is generated when the OVF bit is set.  
 0: Overflow Interrupt disable.  
 1: Overflow Interrupt enable.

Bit 0 = **OVF** *Overflow Flag*  
 This bit is set by hardware and cleared by software reading the ARTCSR register. It indicates the transition of the counter from FFh to the ARTARR value.

0: New transition not yet reached  
 1: Transition reached

**COUNTER ACCESS REGISTER (ARTCAR)**

Read/Write

Reset Value: 0000 0000 (00h)

7							0
CA7	CA6	CA5	CA4	CA3	CA2	CA1	CA0

Bit 7:0 = **CA[7:0]** *Counter Access Data*  
 These bits can be set and cleared either by hardware or by software. The ARTCAR register is used to read or write the auto-reload counter “on the fly” (while it is counting).

**AUTO-RELOAD REGISTER (ARTARR)**

Read/Write

Reset Value: 0000 0000 (00h)

7							0
AR7	AR6	AR5	AR4	AR3	AR2	AR1	AR0

Bit 7:0 = **AR[7:0]** *Counter Auto-Reload Data*  
 These bits are set and cleared by software. They are used to hold the auto-reload value which is automatically loaded in the counter when an overflow occurs. At the same time, the PWM output levels are changed according to the corresponding OPx bit in the PWMCR register.

This register has two PWM management functions:

- Adjusting the PWM frequency
- Setting the PWM duty cycle resolution

PWM Frequency vs. Resolution:

ARTARR value	Resolution	$f_{PWM}$	
		Min	Max
0	8-bit	~0.244-KHz	31.25-KHz
[ 0..127 ]	> 7-bit	~0.244-KHz	62.5-KHz
[ 128..191 ]	> 6-bit	~0.488-KHz	125-KHz
[ 192..223 ]	> 5-bit	~0.977-KHz	250-KHz
[ 224..239 ]	> 4-bit	~1.953-KHz	500-KHz

**PWM AUTO-RELOAD TIMER (Cont'd)****PWM CONTROL REGISTER (PWMCR)**

Read/Write

Reset Value: 0000 0000 (00h)

7							0
OE3	OE2	OE1	OE0	OP3	OP2	OP1	OP0

**Bit 7:4 = OE[3:0] PWM Output Enable**

These bits are set and cleared by software. They enable or disable the PWM output channels independently acting on the corresponding I/O pin.

0: PWM output disabled.

1: PWM output enabled.

**Bit 3:0 = OP[3:0] PWM Output Polarity**

These bits are set and cleared by software. They independently select the polarity of the four PWM output signals.

PWMx output level		OPx
Counter ≤ OCRx	Counter > OCRx	
1	0	0
0	1	1

**Note:** When an OPx bit is modified, the PWMx output signal polarity is immediately reversed.

**DUTY CYCLE REGISTERS (PWMDCRx)**

Read/Write

Reset Value: 0000 0000 (00h)

7							0
DC7	DC6	DC5	DC4	DC3	DC2	DC1	DC0

**Bit 7:0 = DC[7:0] Duty Cycle Data**

These bits are set and cleared by software.

A PWMDCRx register is associated with the OCRx register of each PWM channel to determine the second edge location of the PWM signal (the first edge location is common to all channels and given by the ARTARR register). These PWMDCR registers allow the duty cycle to be set independently for each PWM channel.

## PWM AUTO-RELOAD TIMER (Cont'd)

Table 17. PWM Auto-Reload Timer Register Map and Reset Values

Address (Hex.)	Register Label	7	6	5	4	3	2	1	0
0072h	<b>PWMDCR3</b> Reset Value	DC7 0	DC6 0	DC5 0	DC4 0	DC3 0	DC2 0	DC1 0	DC0 0
0073h	<b>PWMDCR2</b> Reset Value	DC7 0	DC6 0	DC5 0	DC4 0	DC3 0	DC2 0	DC1 0	DC0 0
0074h	<b>PWMDCR1</b> Reset Value	DC7 0	DC6 0	DC5 0	DC4 0	DC3 0	DC2 0	DC1 0	DC0 0
0075h	<b>PWMDCR0</b> Reset Value	DC7 0	DC6 0	DC5 0	DC4 0	DC3 0	DC2 0	DC1 0	DC0 0
0076h	<b>PWMCR</b> Reset Value	OE3 0	OE2 0	OE1 0	OE0 0	OP3 0	OP2 0	OP1 0	OP0 0
0077h	<b>ARTCSR</b> Reset Value	EXCL 0	CC2 0	CC1 0	CC0 0	TCE 0	FCRL 0	OIE 0	OVF 0
0078h	<b>ARTCAR</b> Reset Value	CA7 0	CA6 0	CA5 0	CA4 0	CA3 0	CA2 0	CA1 0	CA0 0
0079h	<b>ARTARR</b> Reset Value	AR7 0	AR6 0	AR5 0	AR4 0	AR3 0	AR2 0	AR1 0	AR0 0

## 10.4 16-BIT TIMER

### 10.4.1 Introduction

The timer consists of a 16-bit free-running counter driven by a programmable prescaler.

It may be used for a variety of purposes, including measuring the pulse lengths of up to two input signals (*input capture*) or generating up to two output waveforms (*output compare* and *PWM*).

Pulse lengths and waveform periods can be modulated from a few microseconds to several milliseconds using the timer prescaler and the CPU clock prescaler.

Some ST7 devices have two on-chip 16-bit timers. They are completely independent, and do not share any resources. They are synchronized after a MCU reset as long as the timer clock frequencies are not modified.

This description covers one or two 16-bit timers. In ST7 devices with two timers, register names are prefixed with TA (Timer A) or TB (Timer B).

### 10.4.2 Main Features

- Programmable prescaler:  $f_{CPU}$  divided by 2, 4 or 8.
- Overflow status flag and maskable interrupt
- External clock input (must be at least 4 times slower than the CPU clock speed) with the choice of active edge
- Output compare functions with:
  - 2 dedicated 16-bit registers
  - 2 dedicated programmable signals
  - 2 dedicated status flags
  - 1 dedicated maskable interrupt
- Input capture functions with:
  - 2 dedicated 16-bit registers
  - 2 dedicated active edge selection signals
  - 2 dedicated status flags
  - 1 dedicated maskable interrupt
- Pulse Width Modulation mode (PWM)
- One Pulse mode
- 5 alternate functions on I/O ports (ICAP1, ICAP2, OCMP1, OCMP2, EXTCLK)\*

The Block Diagram is shown in [Figure 35](#).

**\*Note:** Some timer pins may not be available (not bonded) in some ST7 devices. Refer to the device pin out description.

When reading an input signal on a non-bonded pin, the value will always be '1'.

### 10.4.3 Functional Description

#### 10.4.3.1 Counter

The main block of the Programmable Timer is a 16-bit free running upcounter and its associated 16-bit registers. The 16-bit registers are made up of two 8-bit registers called high & low.

Counter Register (CR):

- Counter High Register (CHR) is the most significant byte (MS Byte).
- Counter Low Register (CLR) is the least significant byte (LS Byte).

Alternate Counter Register (ACR)

- Alternate Counter High Register (ACHR) is the most significant byte (MS Byte).
- Alternate Counter Low Register (ACLR) is the least significant byte (LS Byte).

These two read-only 16-bit registers contain the same value but with the difference that reading the ACLR register does not clear the TOF bit (Timer overflow flag), located in the Status register (SR). (See note at the end of paragraph titled 16-bit read sequence).

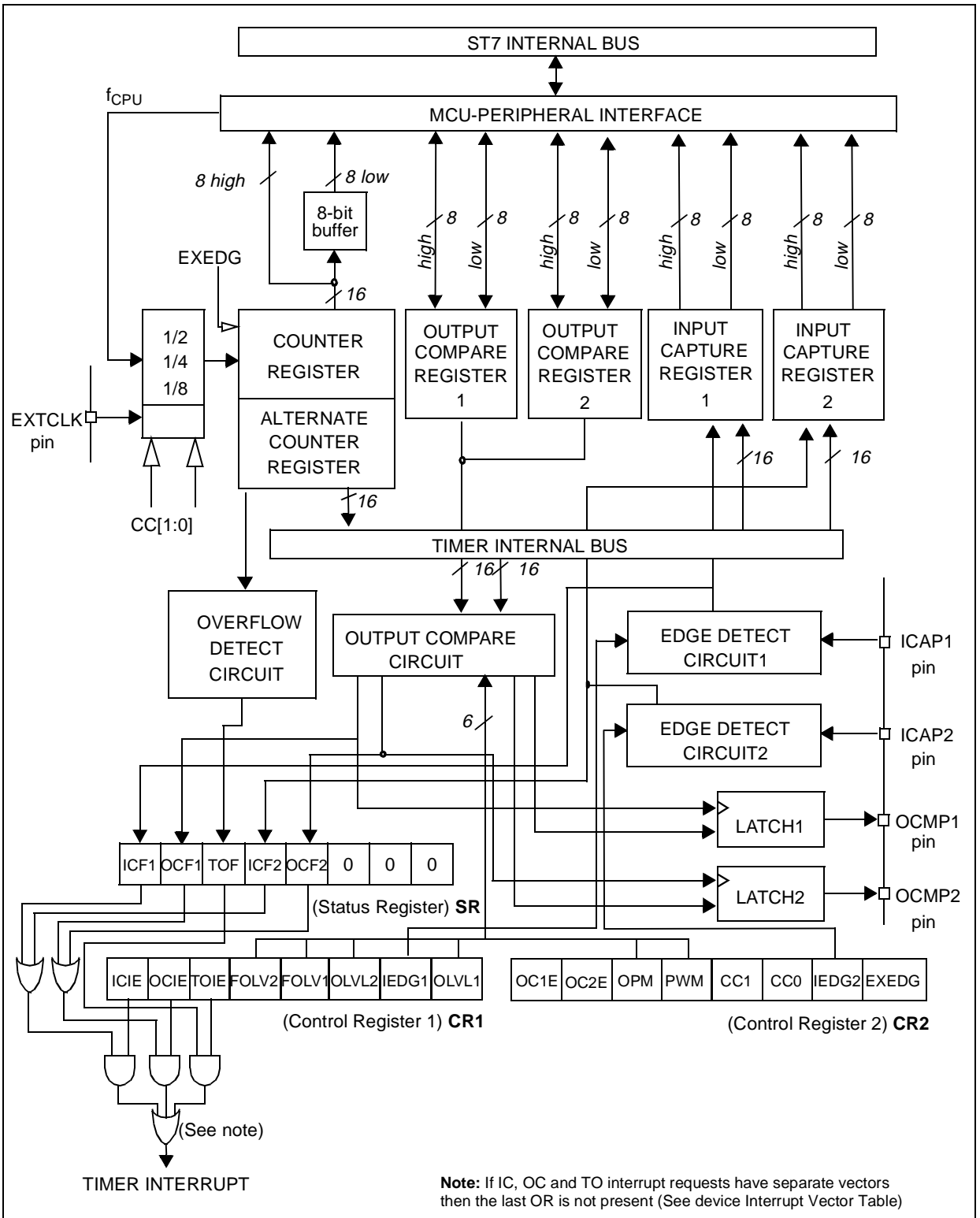
Writing in the CLR register or ACLR register resets the free running counter to the FFFCh value. Both counters have a reset value of FFFCh (this is the only value which is reloaded in the 16-bit timer). The reset value of both counters is also FFFCh in One Pulse mode and PWM mode.

The timer clock depends on the clock control bits of the CR2 register, as illustrated in [Table 18 Clock Control Bits](#). The value in the counter register repeats every 131072, 262144 or 524288 CPU clock cycles depending on the CC[1:0] bits.

The timer frequency can be  $f_{CPU}/2$ ,  $f_{CPU}/4$ ,  $f_{CPU}/8$  or an external frequency.

16-BIT TIMER (Cont'd)

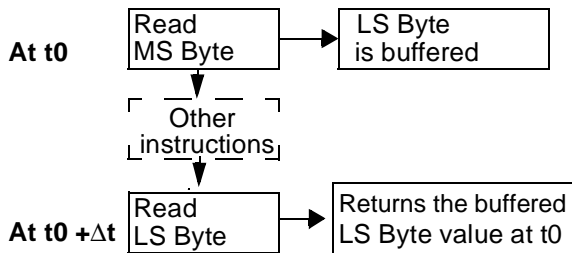
Figure 35. Timer Block Diagram



**16-BIT TIMER** (Cont'd)

**16-bit Read Sequence:** (from either the Counter Register or the Alternate Counter Register).

*Beginning of the sequence*



*Sequence completed*

The user must read the MS Byte first, then the LS Byte value is buffered automatically.

This buffered value remains unchanged until the 16-bit read sequence is completed, even if the user reads the MS Byte several times.

After a complete reading sequence, if only the CLR register or ACLR register are read, they return the LS Byte of the count value at the time of the read.

Whatever the timer mode used (input capture, output compare, One Pulse mode or PWM mode) an overflow occurs when the counter rolls over from FFFFh to 0000h then:

- The TOF bit of the SR register is set.
- A timer interrupt is generated if:
  - TOIE bit of the CR1 register is set and
  - I bit of the CC register is cleared.

If one of these conditions is false, the interrupt remains pending to be issued as soon as they are both true.

Clearing the overflow interrupt request is done in two steps:

1. Reading the SR register while the TOF bit is set.
2. An access (read or write) to the CLR register.

**Note:** The TOF bit is not cleared by accessing the ACLR register. The advantage of accessing the ACLR register rather than the CLR register is that it allows simultaneous use of the overflow function and reading the free running counter at random times (for example, to measure elapsed time) without the risk of clearing the TOF bit erroneously.

The timer is not affected by WAIT mode.

In HALT mode, the counter stops counting until the mode is exited. Counting then resumes from the previous count (MCU awakened by an interrupt) or from the reset count (MCU awakened by a Reset).

**10.4.3.2 External Clock**

The external clock (where available) is selected if CC0=1 and CC1=1 in the CR2 register.

The status of the EXEDG bit in the CR2 register determines the type of level transition on the external clock pin EXTCLK that will trigger the free running counter.

The counter is synchronised with the falling edge of the internal CPU clock.

A minimum of four falling edges of the CPU clock must occur between two consecutive active edges of the external clock; thus the external clock frequency must be less than a quarter of the CPU clock frequency.

16-BIT TIMER (Cont'd)

Figure 36. Counter Timing Diagram, internal clock divided by 2

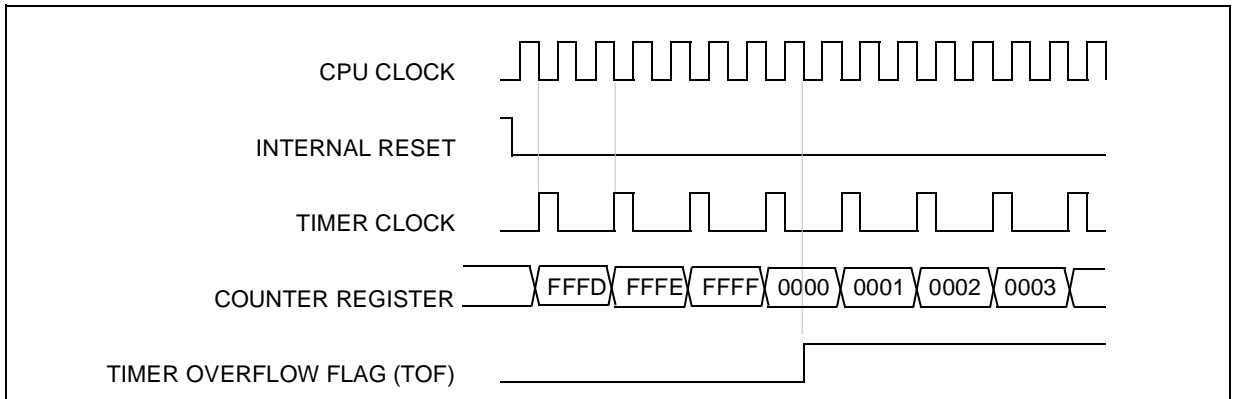


Figure 37. Counter Timing Diagram, internal clock divided by 4

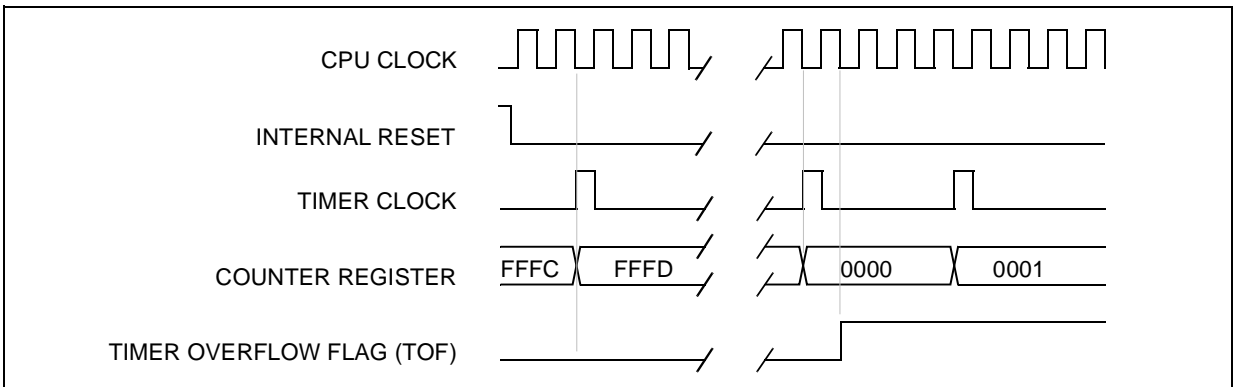
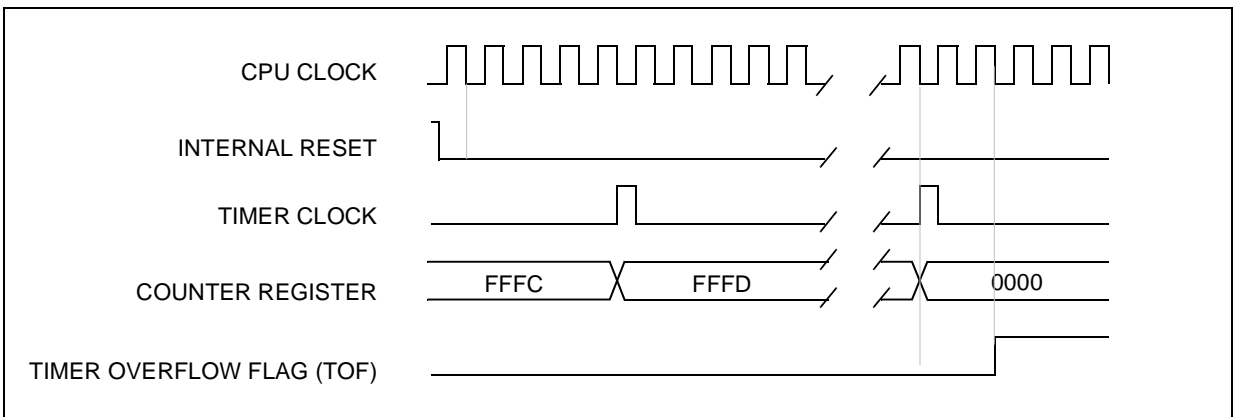


Figure 38. Counter Timing Diagram, internal clock divided by 8



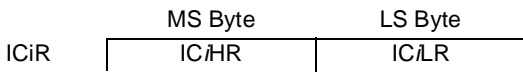
**Note:** The MCU is in reset state when the internal reset signal is high. When it is low, the MCU is running.



**16-BIT TIMER** (Cont'd)**10.4.3.3 Input Capture**

In this section, the index,  $i$ , may be 1 or 2 because there are 2 input capture functions in the 16-bit timer.

The two input capture 16-bit registers (IC1R and IC2R) are used to latch the value of the free running counter after a transition is detected by the ICAP $i$  pin (see figure 5).



The IC $i$ R register is a read-only register.

The active transition is software programmable through the IEDG $i$  bit of Control Registers (CR $i$ ).

Timing resolution is one count of the free running counter: ( $f_{CPU}/CC[1:0]$ ).

**Procedure:**

To use the input capture function, select the following in the CR2 register:

- Select the timer clock (CC[1:0]) (see [Table 18 Clock Control Bits](#)).
- Select the edge of the active transition on the ICAP2 pin with the IEDG2 bit (the ICAP2 pin must be configured as a floating input or input with pull-up without interrupt if this configuration is available).

And select the following in the CR1 register:

- Set the ICIE bit to generate an interrupt after an input capture coming from either the ICAP1 pin or the ICAP2 pin
- Select the edge of the active transition on the ICAP1 pin with the IEDG1 bit (the ICAP1 pin must be configured as a floating input or input with pull-up without interrupt if this configuration is available).

When an input capture occurs:

- The ICF $i$  bit is set.
- The IC $i$ R register contains the value of the free running counter on the active transition on the ICAP $i$  pin (see [Figure 40](#)).
- A timer interrupt is generated if the ICIE bit is set and the I bit is cleared in the CC register. Otherwise, the interrupt remains pending until both conditions become true.

Clearing the Input Capture interrupt request (i.e. clearing the ICF $i$  bit) is done in two steps:

1. Reading the SR register while the ICF $i$  bit is set.
2. An access (read or write) to the IC $i$ LR register.

**Notes:**

1. After reading the IC $i$ HR register, the transfer of input capture data is inhibited and ICF $i$  will never be set until the IC $i$ LR register is also read.
2. The IC $i$ R register contains the free running counter value which corresponds to the most recent input capture.
3. The 2 input capture functions can be used together even if the timer also uses the 2 output compare functions.
4. In One Pulse mode and PWM mode only the input capture 2 function can be used.
5. The alternate inputs (ICAP1 & ICAP2) are always directly connected to the timer. So any transitions on these pins activate the input capture function.  
Moreover if one of the ICAP $i$  pin is configured as an input and the second one as an output, an interrupt can be generated if the user toggles the output pin and if the ICIE bit is set. This can be avoided if the input capture function  $i$  is disabled by reading the IC $i$ HR (see note 1).
6. The TOF bit can be used with an interrupt in order to measure events that exceed the timer range (FFFFh).

16-BIT TIMER (Cont'd)

Figure 39. Input Capture Block Diagram

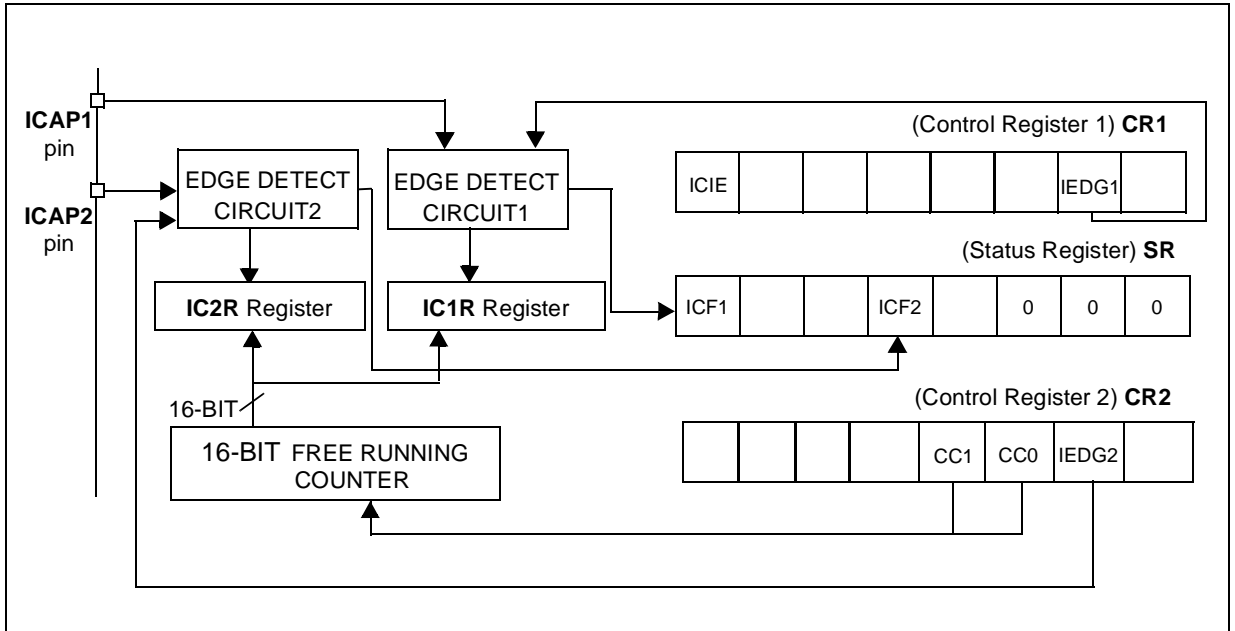
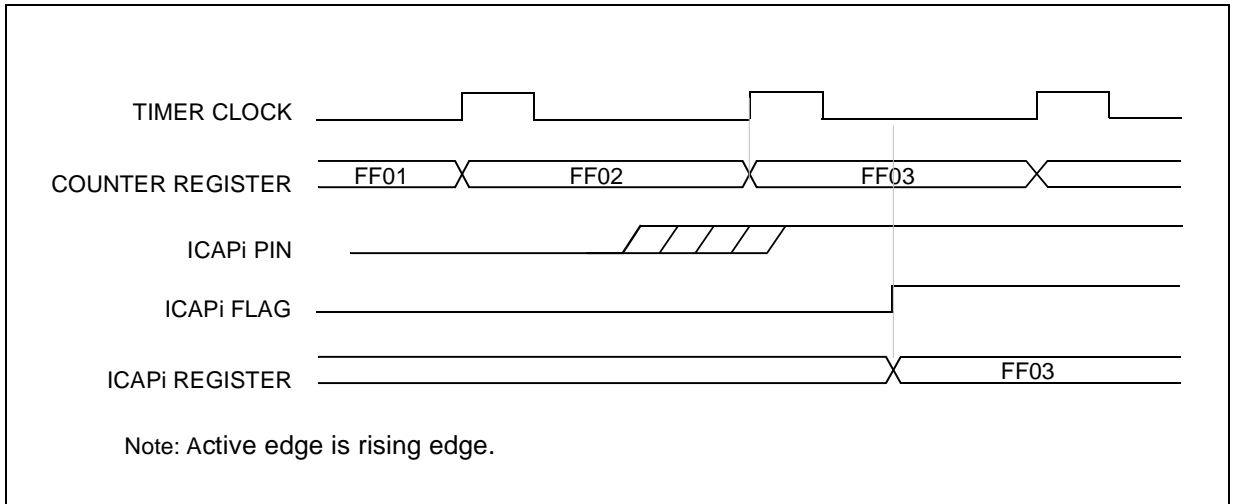


Figure 40. Input Capture Timing Diagram



**16-BIT TIMER** (Cont'd)**10.4.3.4 Output Compare**

In this section, the index,  $i$ , may be 1 or 2 because there are 2 output compare functions in the 16-bit timer.

This function can be used to control an output waveform or indicate when a period of time has elapsed.

When a match is found between the Output Compare register and the free running counter, the output compare function:

- Assigns pins with a programmable value if the  $OC\bar{E}$  bit is set
- Sets a flag in the status register
- Generates an interrupt if enabled

Two 16-bit registers Output Compare Register 1 (OC1R) and Output Compare Register 2 (OC2R) contain the value to be compared to the counter register each timer clock cycle.

	MS Byte	LS Byte
OC <i>R</i>	OC <i>HR</i>	OC <i>LR</i>

These registers are readable and writable and are not affected by the timer hardware. A reset event changes the OC*R* value to 8000h.

Timing resolution is one count of the free running counter: ( $f_{CPU}/CC[1:0]$ ).

**Procedure:**

To use the output compare function, select the following in the CR2 register:

- Set the  $OC\bar{E}$  bit if an output is needed then the OCMP*i* pin is dedicated to the output compare  $i$  signal.
- Select the timer clock (CC[1:0]) (see [Table 18 Clock Control Bits](#)).

And select the following in the CR1 register:

- Select the OLVL*i* bit to applied to the OCMP*i* pins after the match occurs.
- Set the OCIE bit to generate an interrupt if it is needed.

When a match is found between OCR*i* register and CR register:

- OCF*i* bit is set.

- The OCMP*i* pin takes OLVL*i* bit value (OCMP*i* pin latch is forced low during reset).
- A timer interrupt is generated if the OCIE bit is set in the CR1 register and the I bit is cleared in the CC register (CC).

The OC*R* register value required for a specific timing application can be calculated using the following formula:

$$\Delta OC\bar{R} = \frac{\Delta t * f_{CPU}}{PRESC}$$

Where:

- $\Delta t$  = Output compare period (in seconds)
- $f_{CPU}$  = CPU clock frequency (in hertz)
- PRESC = Timer prescaler factor (2, 4 or 8 depending on CC[1:0] bits, see [Table 18 Clock Control Bits](#))

If the timer clock is an external clock, the formula is:

$$\Delta OC\bar{R} = \Delta t * f_{EXT}$$

Where:

- $\Delta t$  = Output compare period (in seconds)
- $f_{EXT}$  = External timer clock frequency (in hertz)

Clearing the output compare interrupt request (i.e. clearing the OCF*i* bit) is done by:

1. Reading the SR register while the OCF*i* bit is set.
2. An access (read or write) to the OC*LR* register.

The following procedure is recommended to prevent the OCF*i* bit from being set between the time it is read and the write to the OC*R* register:

- Write to the OC*HR* register (further compares are inhibited).
- Read the SR register (first step of the clearance of the OCF*i* bit, which may be already set).
- Write to the OC*LR* register (enables the output compare function and clears the OCF*i* bit).

**16-BIT TIMER (Cont'd)**

**Notes:**

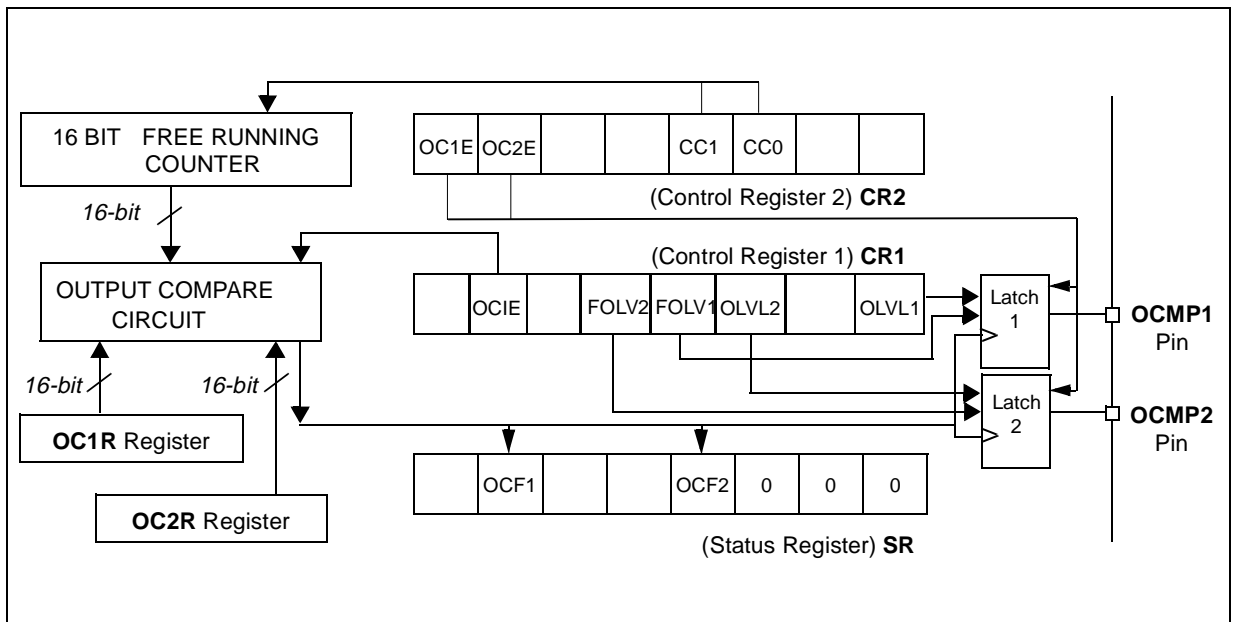
1. After a processor write cycle to the OC<sub>i</sub>HR register, the output compare function is inhibited until the OC<sub>i</sub>LR register is also written.
2. If the OC<sub>i</sub>E bit is not set, the OCMP<sub>i</sub> pin is a general I/O port and the OLV<sub>L*i*</sub> bit will not appear when a match is found but an interrupt could be generated if the OC<sub>i</sub>E bit is set.
3. When the timer clock is  $f_{CPU}/2$ , OCF<sub>i</sub> and OCMP<sub>i</sub> are set while the counter value equals the OC<sub>i</sub>R register value (see Figure 42 on page 69). This behaviour is the same in OPM or PWM mode.  
When the timer clock is  $f_{CPU}/4$ ,  $f_{CPU}/8$  or in external clock mode, OCF<sub>i</sub> and OCMP<sub>i</sub> are set while the counter value equals the OC<sub>i</sub>R register value plus 1 (see Figure 43 on page 69).
4. The output compare functions can be used both for generating external events on the OCMP<sub>i</sub> pins even if the input capture mode is also used.
5. The value in the 16-bit OC<sub>i</sub>R register and the OLV<sub>i</sub> bit should be changed after each successful comparison in order to control an output waveform or establish a new elapsed timeout.

**Forced Compare Output capability**

When the FOLV<sub>i</sub> bit is set by software, the OLV<sub>L*i*</sub> bit is copied to the OCMP<sub>i</sub> pin. The OLV<sub>i</sub> bit has to be toggled in order to toggle the OCMP<sub>i</sub> pin when it is enabled (OC<sub>i</sub>E bit=1). The OCF<sub>i</sub> bit is then not set by hardware, and thus no interrupt request is generated.

FOLV<sub>L*i*</sub> bits have no effect in either One-Pulse mode or PWM mode.

**Figure 41. Output Compare Block Diagram**



16-BIT TIMER (Cont'd)

Figure 42. Output Compare Timing Diagram,  $f_{\text{TIMER}} = f_{\text{CPU}}/2$

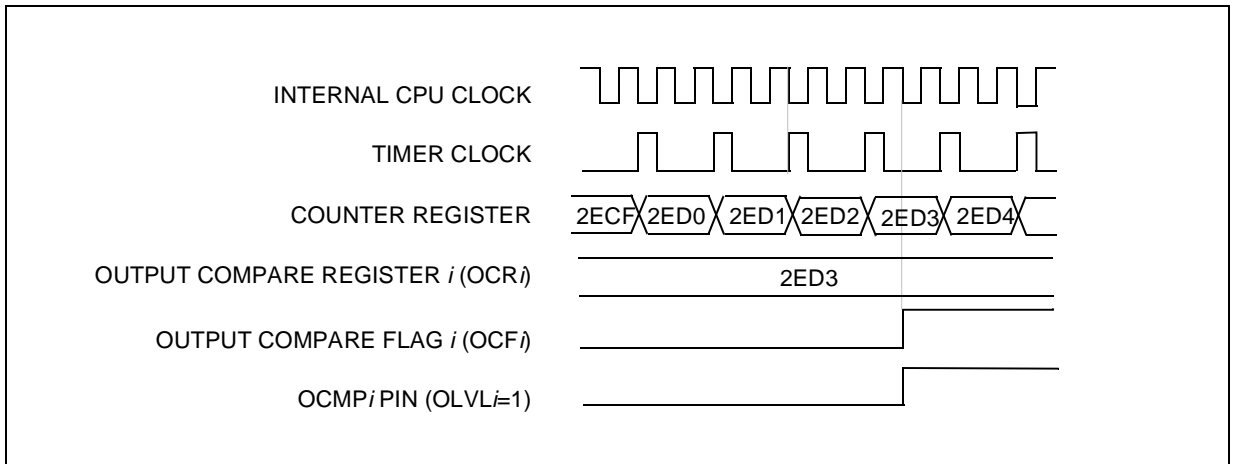
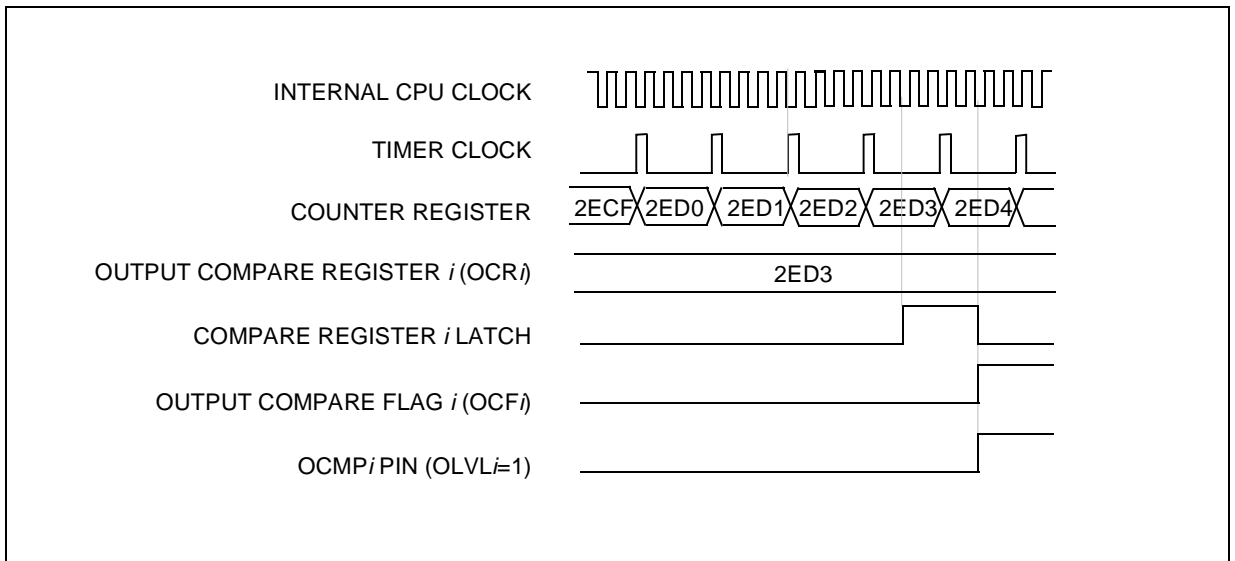


Figure 43. Output Compare Timing Diagram,  $f_{\text{TIMER}} = f_{\text{CPU}}/4$



**16-BIT TIMER (Cont'd)**

**10.4.3.5 One Pulse Mode**

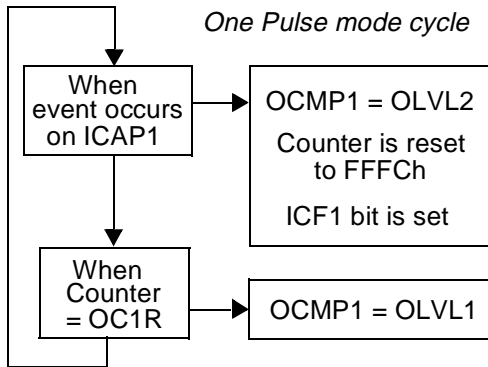
One Pulse mode enables the generation of a pulse when an external event occurs. This mode is selected via the OPM bit in the CR2 register.

The One Pulse mode uses the Input Capture1 function and the Output Compare1 function.

**Procedure:**

To use One Pulse mode:

1. Load the OC1R register with the value corresponding to the length of the pulse (see the formula in the opposite column).
2. Select the following in the CR1 register:
  - Using the OLVL1 bit, select the level to be applied to the OCMP1 pin after the pulse.
  - Using the OLVL2 bit, select the level to be applied to the OCMP1 pin during the pulse.
  - Select the edge of the active transition on the ICAP1 pin with the IEDG1 bit (the ICAP1 pin must be configured as floating input).
3. Select the following in the CR2 register:
  - Set the OC1E bit, the OCMP1 pin is then dedicated to the Output Compare 1 function.
  - Set the OPM bit.
  - Select the timer clock CC[1:0] (see [Table 18 Clock Control Bits](#)).



Then, on a valid event on the ICAP1 pin, the counter is initialized to FFFCh and the OLVL2 bit is loaded on the OCMP1 pin, the ICF1 bit is set and the value FFFDh is loaded in the IC1R register.

Because the ICF1 bit is set when an active edge occurs, an interrupt can be generated if the ICIE bit is set.

Clearing the Input Capture interrupt request (i.e. clearing the ICFi bit) is done in two steps:

1. Reading the SR register while the ICFi bit is set.
2. An access (read or write) to the ICiLR register.

The OC1R register value required for a specific timing application can be calculated using the following formula:

$$OC1R \text{ Value} = \frac{t * f_{CPU}}{PRESC} - 5$$

Where:

t = Pulse period (in seconds)

f<sub>CPU</sub> = CPU clock frequency (in hertz)

PRESC = Timer prescaler factor (2, 4 or 8 depending on the CC[1:0] bits, see [Table 18 Clock Control Bits](#))

If the timer clock is an external clock the formula is:

$$OC1R = t * f_{EXT} - 5$$

Where:

t = Pulse period (in seconds)

f<sub>EXT</sub> = External timer clock frequency (in hertz)

When the value of the counter is equal to the value of the contents of the OC1R register, the OLVL1 bit is output on the OCMP1 pin (see [Figure 44](#)).

**Notes:**

1. The OCF1 bit cannot be set by hardware in One Pulse mode but the OCF2 bit can generate an Output Compare interrupt.
2. When the Pulse Width Modulation (PWM) and One Pulse mode (OPM) bits are both set, the PWM mode is the only active one.
3. If OLVL1=OLVL2 a continuous signal will be seen on the OCMP1 pin.
4. The ICAP1 pin can not be used to perform input capture. The ICAP2 pin can be used to perform input capture (ICF2 can be set and IC2R can be loaded) but the user must take care that the counter is reset each time a valid edge occurs on the ICAP1 pin and ICF1 can also generates interrupt if ICIE is set.
5. When One Pulse mode is used OC1R is dedicated to this mode. Nevertheless OC2R and OCF2 can be used to indicate that a period of time has elapsed but cannot generate an output waveform because the OLVL2 level is dedicated to One Pulse mode.

16-BIT TIMER (Cont'd)

Figure 44. One Pulse Mode Timing Example

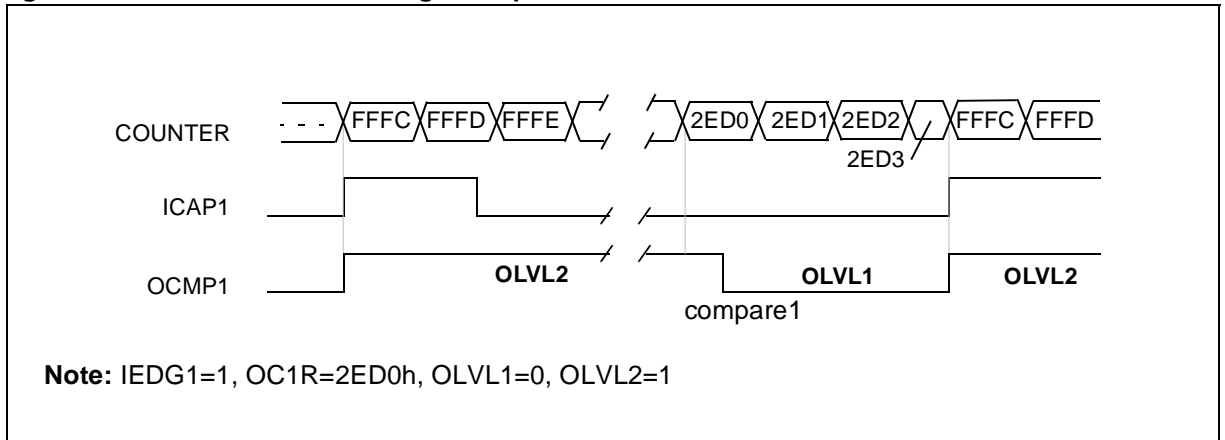
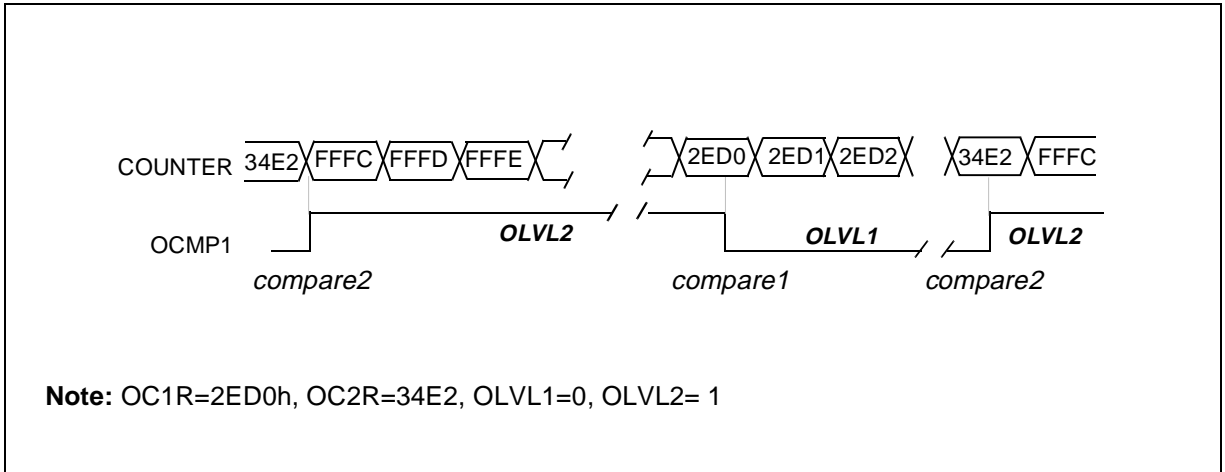


Figure 45. Pulse Width Modulation Mode Timing Example



16-BIT TIMER (Cont'd)

10.4.3.6 Pulse Width Modulation Mode

Pulse Width Modulation (PWM) mode enables the generation of a signal with a frequency and pulse length determined by the value of the OC1R and OC2R registers.

The Pulse Width Modulation mode uses the complete Output Compare 1 function plus the OC2R register, and so these functions cannot be used when the PWM mode is activated.

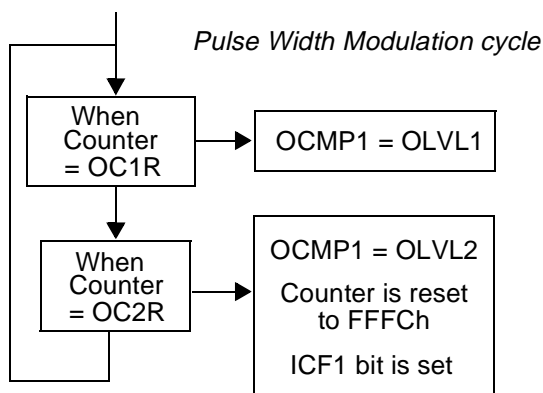
Procedure

To use Pulse Width Modulation mode:

1. Load the OC2R register with the value corresponding to the period of the signal using the formula in the opposite column.
2. Load the OC1R register with the value corresponding to the period of the pulse if OLVL1=0 and OLVL2=1, using the formula in the opposite column.
3. Select the following in the CR1 register:
  - Using the OLVL1 bit, select the level to be applied to the OCMP1 pin after a successful comparison with OC1R register.
  - Using the OLVL2 bit, select the level to be applied to the OCMP1 pin after a successful comparison with OC2R register.
4. Select the following in the CR2 register:
  - Set OC1E bit: the OCMP1 pin is then dedicated to the output compare 1 function.
  - Set the PWM bit.
  - Select the timer clock (CC[1:0]) (see [Table 18 Clock Control Bits](#)).

If OLVL1=1 and OLVL2=0, the length of the positive pulse is the difference between the OC2R and OC1R registers.

If OLVL1=OLVL2 a continuous signal will be seen on the OCMP1 pin.



The OC/R register value required for a specific timing application can be calculated using the following formula:

$$OC/R \text{ Value} = \frac{t * f_{CPU}}{PRESC} - 5$$

Where:

- t = Signal or pulse period (in seconds)
- f<sub>CPU</sub> = CPU clock frequency (in hertz)
- PRESC = Timer prescaler factor (2, 4 or 8 depending on CC[1:0] bits, see [Table 18 Clock Control Bits](#))

If the timer clock is an external clock the formula is:

$$OC/R = t * f_{EXT} - 5$$

Where:

- t = Signal or pulse period (in seconds)
- f<sub>EXT</sub> = External timer clock frequency (in hertz)

The Output Compare 2 event causes the counter to be initialized to FFFCh (See [Figure 45](#))

Notes:

1. After a write instruction to the OC/R register, the output compare function is inhibited until the OC/LR register is also written.
2. The OCF1 and OCF2 bits cannot be set by hardware in PWM mode, therefore the Output Compare interrupt is inhibited.
3. The ICF1 bit is set by hardware when the counter reaches the OC2R value and can produce a timer interrupt if the ICIE bit is set and the I bit is cleared.
4. In PWM mode the ICAP1 pin can not be used to perform input capture because it is disconnected from the timer. The ICAP2 pin can be used to perform input capture (ICF2 can be set and IC2R can be loaded) but the user must take care that the counter is reset after each period and ICF1 can also generate an interrupt if ICIE is set.
5. When the Pulse Width Modulation (PWM) and One Pulse mode (OPM) bits are both set, the PWM mode is the only active one.



**16-BIT TIMER** (Cont'd)**10.4.4 Low Power Modes**

Mode	Description
WAIT	No effect on 16-bit Timer. Timer interrupts cause the device to exit from WAIT mode.
HALT	16-bit Timer registers are frozen. In HALT mode, the counter stops counting until Halt mode is exited. Counting resumes from the previous count when the MCU is woken up by an interrupt with "exit from HALT mode" capability or from the counter reset value when the MCU is woken up by a RESET. If an input capture event occurs on the ICAP <i>i</i> pin, the input capture detection circuitry is armed. Consequently, when the MCU is woken up by an interrupt with "exit from HALT mode" capability, the ICF <i>i</i> bit is set, and the counter value present when exiting from HALT mode is captured into the IC <i>R</i> register.

**10.4.5 Interrupts**

Interrupt Event	Event Flag	Enable Control Bit	Exit from Wait	Exit from Halt
Input Capture 1 event/Counter reset in PWM mode	ICF1	ICIE	Yes	No
Input Capture 2 event	ICF2		Yes	No
Output Compare 1 event (not available in PWM mode)	OCF1	OCIE	Yes	No
Output Compare 2 event (not available in PWM mode)	OCF2		Yes	No
Timer Overflow event	TOF	TOIE	Yes	No

**Note:** The 16-bit Timer interrupt events are connected to the same interrupt vector (see Interrupts chapter). These events generate an interrupt if the corresponding Enable Control Bit is set and the interrupt mask in the CC register is reset (RIM instruction).

**10.4.6 Summary of Timer modes**

MODES	AVAILABLE RESOURCES			
	Input Capture 1	Input Capture 2	Output Compare 1	Output Compare 2
Input Capture (1 and/or 2)	Yes	Yes	Yes	Yes
Output Compare (1 and/or 2)	Yes	Yes	Yes	Yes
One Pulse mode	No	Not Recommended <sup>1)</sup>	No	Partially <sup>2)</sup>
PWM Mode	No	Not Recommended <sup>3)</sup>	No	No

<sup>1)</sup> See note 4 in [Section 10.4.3.5 "One Pulse Mode" on page 70](#)

<sup>2)</sup> See note 5 in [Section 10.4.3.5 "One Pulse Mode" on page 70](#)

<sup>3)</sup> See note 4 in [Section 10.4.3.6 "Pulse Width Modulation Mode" on page 72](#)

**16-BIT TIMER** (Cont'd)

**10.4.7 Register Description**

Each Timer is associated with three control and status registers, and with six pairs of data registers (16-bit values) relating to the two input captures, the two output compares, the counter and the alternate counter.

**CONTROL REGISTER 1 (CR1)**

Read/Write

Reset Value: 0000 0000 (00h)

7							0
ICIE	OCIE	TOIE	FOLV2	FOLV1	OLVL2	IEDG1	OLVL1

Bit 7 = **ICIE** *Input Capture Interrupt Enable*.  
 0: Interrupt is inhibited.  
 1: A timer interrupt is generated whenever the ICF1 or ICF2 bit of the SR register is set.

Bit 6 = **OCIE** *Output Compare Interrupt Enable*.  
 0: Interrupt is inhibited.  
 1: A timer interrupt is generated whenever the OCF1 or OCF2 bit of the SR register is set.

Bit 5 = **TOIE** *Timer Overflow Interrupt Enable*.  
 0: Interrupt is inhibited.  
 1: A timer interrupt is enabled whenever the TOF bit of the SR register is set.

Bit 4 = **FOLV2** *Forced Output Compare 2*.  
 This bit is set and cleared by software.  
 0: No effect on the OCMP2 pin.  
 1: Forces the OLVL2 bit to be copied to the OCMP2 pin, if the OC2E bit is set and even if there is no successful comparison.

Bit 3 = **FOLV1** *Forced Output Compare 1*.  
 This bit is set and cleared by software.  
 0: No effect on the OCMP1 pin.  
 1: Forces OLVL1 to be copied to the OCMP1 pin, if the OC1E bit is set and even if there is no successful comparison.

Bit 2 = **OLVL2** *Output Level 2*.  
 This bit is copied to the OCMP2 pin whenever a successful comparison occurs with the OC2R register and OCxE is set in the CR2 register. This value is copied to the OCMP1 pin in One Pulse mode and Pulse Width Modulation mode.

Bit 1 = **IEDG1** *Input Edge 1*.  
 This bit determines which type of level transition on the ICAP1 pin will trigger the capture.  
 0: A falling edge triggers the capture.  
 1: A rising edge triggers the capture.

Bit 0 = **OLVL1** *Output Level 1*.  
 The OLVL1 bit is copied to the OCMP1 pin whenever a successful comparison occurs with the OC1R register and the OC1E bit is set in the CR2 register.

**16-BIT TIMER** (Cont'd)**CONTROL REGISTER 2 (CR2)**

Read/Write

Reset Value: 0000 0000 (00h)

7							0
OC1E	OC2E	OPM	PWM	CC1	CC0	IEDG2	EXEDG

Bit 7 = **OC1E** *Output Compare 1 Pin Enable*.

This bit is used only to output the signal from the timer on the OCMP1 pin (OLV1 in Output Compare mode, both OLV1 and OLV2 in PWM and one-pulse mode). Whatever the value of the OC1E bit, the internal Output Compare 1 function of the timer remains active.

0: OCMP1 pin alternate function disabled (I/O pin free for general-purpose I/O).

1: OCMP1 pin alternate function enabled.

Bit 6 = **OC2E** *Output Compare 2 Pin Enable*.

This bit is used only to output the signal from the timer on the OCMP2 pin (OLV2 in Output Compare mode). Whatever the value of the OC2E bit, the internal Output Compare 2 function of the timer remains active.

0: OCMP2 pin alternate function disabled (I/O pin free for general-purpose I/O).

1: OCMP2 pin alternate function enabled.

Bit 5 = **OPM** *One Pulse mode*.

0: One Pulse mode is not active.

1: One Pulse mode is active, the ICAP1 pin can be used to trigger one pulse on the OCMP1 pin; the active transition is given by the IEDG1 bit. The length of the generated pulse depends on the contents of the OC1R register.

Bit 4 = **PWM** *Pulse Width Modulation*.

0: PWM mode is not active.

1: PWM mode is active, the OCMP1 pin outputs a programmable cyclic signal; the length of the pulse depends on the value of OC1R register; the period depends on the value of OC2R register.

Bits 3:2 = **CC[1:0]** *Clock Control*.

The timer clock mode depends on these bits:

**Table 18. Clock Control Bits**

Timer Clock	CC1	CC0
$f_{\text{CPU}} / 4$	0	0
$f_{\text{CPU}} / 2$	0	1
$f_{\text{CPU}} / 8$	1	0
External Clock (where available)	1	1

**Note:** If the external clock pin is not available, programming the external clock configuration stops the counter.

Bit 1 = **IEDG2** *Input Edge 2*.

This bit determines which type of level transition on the ICAP2 pin will trigger the capture.

0: A falling edge triggers the capture.

1: A rising edge triggers the capture.

Bit 0 = **EXEDG** *External Clock Edge*.

This bit determines which type of level transition on the external clock pin (EXTCLK) will trigger the counter register.

0: A falling edge triggers the counter register.

1: A rising edge triggers the counter register.

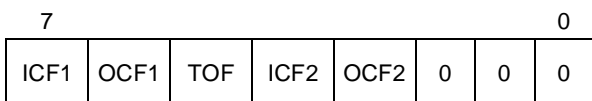
**16-BIT TIMER (Cont'd)**

**STATUS REGISTER (SR)**

Read Only

Reset Value: 0000 0000 (00h)

The three least significant bits are not used.



Bit 7 = **ICF1** *Input Capture Flag 1.*

0: No input capture (reset value).

1: An input capture has occurred on the ICAP1 pin or the counter has reached the OC2R value in PWM mode. To clear this bit, first read the SR register, then read or write the low byte of the IC1R (IC1LR) register.

Bit 6 = **OCF1** *Output Compare Flag 1.*

0: No match (reset value).

1: The content of the free running counter matches the content of the OC1R register. To clear this bit, first read the SR register, then read or write the low byte of the OC1R (OC1LR) register.

Bit 5 = **TOF** *Timer Overflow Flag.*

0: No timer overflow (reset value).

1: The free running counter has rolled over from FFFFh to 0000h. To clear this bit, first read the SR register, then read or write the low byte of the CR (CLR) register.

**Note:** Reading or writing the ACLR register does not clear TOF.

Bit 4 = **ICF2** *Input Capture Flag 2.*

0: No input capture (reset value).

1: An input capture has occurred on the ICAP2 pin. To clear this bit, first read the SR register, then read or write the low byte of the IC2R (IC2LR) register.

Bit 3 = **OCF2** *Output Compare Flag 2.*

0: No match (reset value).

1: The content of the free running counter matches the content of the OC2R register. To clear this bit, first read the SR register, then read or write the low byte of the OC2R (OC2LR) register.

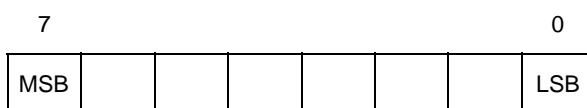
Bit 2-0 = Reserved, forced by hardware to 0.

**INPUT CAPTURE 1 HIGH REGISTER (IC1HR)**

Read Only

Reset Value: Undefined

This is an 8-bit read only register that contains the high part of the counter value (transferred by the input capture 1 event).

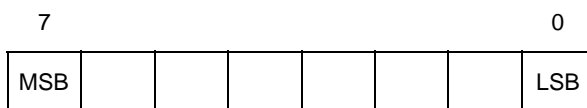


**INPUT CAPTURE 1 LOW REGISTER (IC1LR)**

Read Only

Reset Value: Undefined

This is an 8-bit read only register that contains the low part of the counter value (transferred by the input capture 1 event).



**OUTPUT COMPARE 1 HIGH REGISTER (OC1HR)**

Read/Write

Reset Value: 1000 0000 (80h)

This is an 8-bit register that contains the high part of the value to be compared to the CHR register.

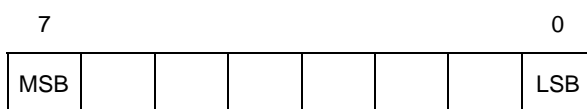


**OUTPUT COMPARE 1 LOW REGISTER (OC1LR)**

Read/Write

Reset Value: 0000 0000 (00h)

This is an 8-bit register that contains the low part of the value to be compared to the CLR register.



**16-BIT TIMER (Cont'd)****OUTPUT COMPARE 2 HIGH REGISTER (OC2HR)**

Read/Write

Reset Value: 1000 0000 (80h)

This is an 8-bit register that contains the high part of the value to be compared to the CHR register.

**OUTPUT COMPARE 2 LOW REGISTER (OC2LR)**

Read/Write

Reset Value: 0000 0000 (00h)

This is an 8-bit register that contains the low part of the value to be compared to the CLR register.

**COUNTER HIGH REGISTER (CHR)**

Read Only

Reset Value: 1111 1111 (FFh)

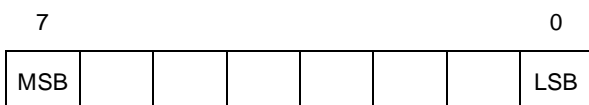
This is an 8-bit register that contains the high part of the counter value.

**COUNTER LOW REGISTER (CLR)**

Read Only

Reset Value: 1111 1100 (FCh)

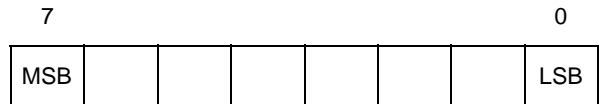
This is an 8-bit register that contains the low part of the counter value. A write to this register resets the counter. An access to this register after accessing the SR register clears the TOF bit.

**ALTERNATE COUNTER HIGH REGISTER (ACHR)**

Read Only

Reset Value: 1111 1111 (FFh)

This is an 8-bit register that contains the high part of the counter value.

**ALTERNATE COUNTER LOW REGISTER (ACLRL)**

Read Only

Reset Value: 1111 1100 (FCh)

This is an 8-bit register that contains the low part of the counter value. A write to this register resets the counter. An access to this register after an access to SR register does not clear the TOF bit in SR register.

**INPUT CAPTURE 2 HIGH REGISTER (IC2HR)**

Read Only

Reset Value: Undefined

This is an 8-bit read only register that contains the high part of the counter value (transferred by the Input Capture 2 event).

**INPUT CAPTURE 2 LOW REGISTER (IC2LR)**

Read Only

Reset Value: Undefined

This is an 8-bit read only register that contains the low part of the counter value (transferred by the Input Capture 2 event).



16-BIT TIMER (Cont'd)

Table 19. 16-Bit Timer Register Map and Reset Values

Address (Hex.)	Register Label	7	6	5	4	3	2	1	0
Timer A: 32 Timer B: 42	<b>CR1</b> Reset Value	ICIE 0	OCIE 0	TOIE 0	FOLV2 0	FOLV1 0	OLVL2 0	IEDG1 0	OLVL1 0
Timer A: 31 Timer B: 41	<b>CR2</b> Reset Value	OC1E 0	OC2E 0	OPM 0	PWM 0	CC1 0	CC0 0	IEDG2 0	EXEDG 0
Timer A: 33 Timer B: 43	<b>SR</b> Reset Value	ICF1 0	OCF1 0	TOF 0	ICF2 0	OCF2 0	- 0	- 0	- 0
Timer A: 34 Timer B: 44	<b>ICHR1</b> Reset Value	MSB -	-	-	-	-	-	-	LSB -
Timer A: 35 Timer B: 45	<b>ICLR1</b> Reset Value	MSB -	-	-	-	-	-	-	LSB -
Timer A: 36 Timer B: 46	<b>OCHR1</b> Reset Value	MSB -	-	-	-	-	-	-	LSB -
Timer A: 37 Timer B: 47	<b>OCLR1</b> Reset Value	MSB -	-	-	-	-	-	-	LSB -
Timer A: 3E Timer B: 4E	<b>OCHR2</b> Reset Value	MSB -	-	-	-	-	-	-	LSB -
Timer A: 3F Timer B: 4F	<b>OCLR2</b> Reset Value	MSB -	-	-	-	-	-	-	LSB -
Timer A: 38 Timer B: 48	<b>CHR</b> Reset Value	MSB 1	1	1	1	1	1	1	LSB 1
Timer A: 39 Timer B: 49	<b>CLR</b> Reset Value	MSB 1	1	1	1	1	1	0	LSB 0
Timer A: 3A Timer B: 4A	<b>ACHR</b> Reset Value	MSB 1	1	1	1	1	1	1	LSB 1
Timer A: 3B Timer B: 4B	<b>ACLR</b> Reset Value	MSB 1	1	1	1	1	1	0	LSB 0
Timer A: 3C Timer B: 4C	<b>ICHR2</b> Reset Value	MSB -	-	-	-	-	-	-	LSB -
Timer A: 3D Timer B: 4D	<b>ICLR2</b> Reset Value	MSB -	-	-	-	-	-	-	LSB -

## 10.5 SERIAL PERIPHERAL INTERFACE (SPI)

### 10.5.1 Introduction

The Serial Peripheral Interface (SPI) allows full-duplex, synchronous, serial communication with external devices. An SPI system may consist of a master and one or more slaves or a system in which devices may be either masters or slaves.

The SPI is normally used for communication between the microcontroller and external peripherals or another microcontroller.

Refer to the Pin Description chapter for the device-specific pin-out.

### 10.5.2 Main Features

- Full duplex, three-wire synchronous transfers
- Master or slave operation
- Four master mode frequencies
- Maximum slave mode frequency =  $f_{CPU}/4$ .
- Four programmable master bit rates
- Programmable clock polarity and phase
- End of transfer interrupt flag
- Write collision flag protection
- Master mode fault protection capability.

### 10.5.3 General description

The SPI is connected to external devices through 4 alternate pins:

- MISO: Master In Slave Out pin
- MOSI: Master Out Slave In pin
- SCK: Serial Clock pin
- $\overline{SS}$ : Slave select pin

A basic example of interconnections between a single master and a single slave is illustrated on [Figure 46](#).

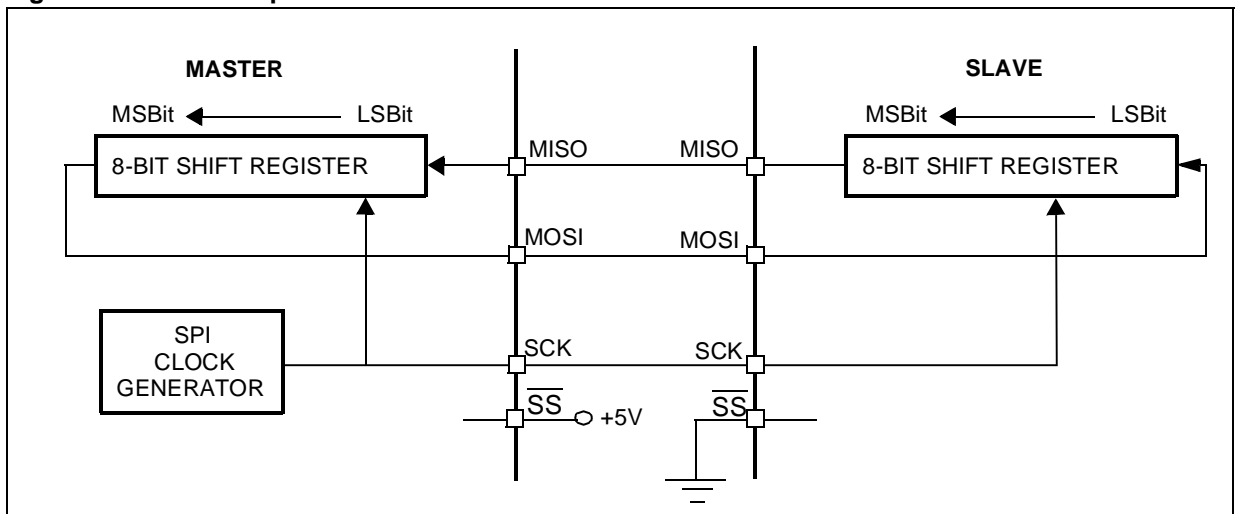
The MOSI pins are connected together as are MISO pins. In this way data is transferred serially between master and slave (most significant bit first).

When the master device transmits data to a slave device via MOSI pin, the slave device responds by sending data to the master device via the MISO pin. This implies full duplex transmission with both data out and data in synchronized with the same clock signal (which is provided by the master device via the SCK pin).

Thus, the byte transmitted is replaced by the byte received and eliminates the need for separate transmit-empty and receiver-full bits. A status flag is used to indicate that the I/O operation is complete.

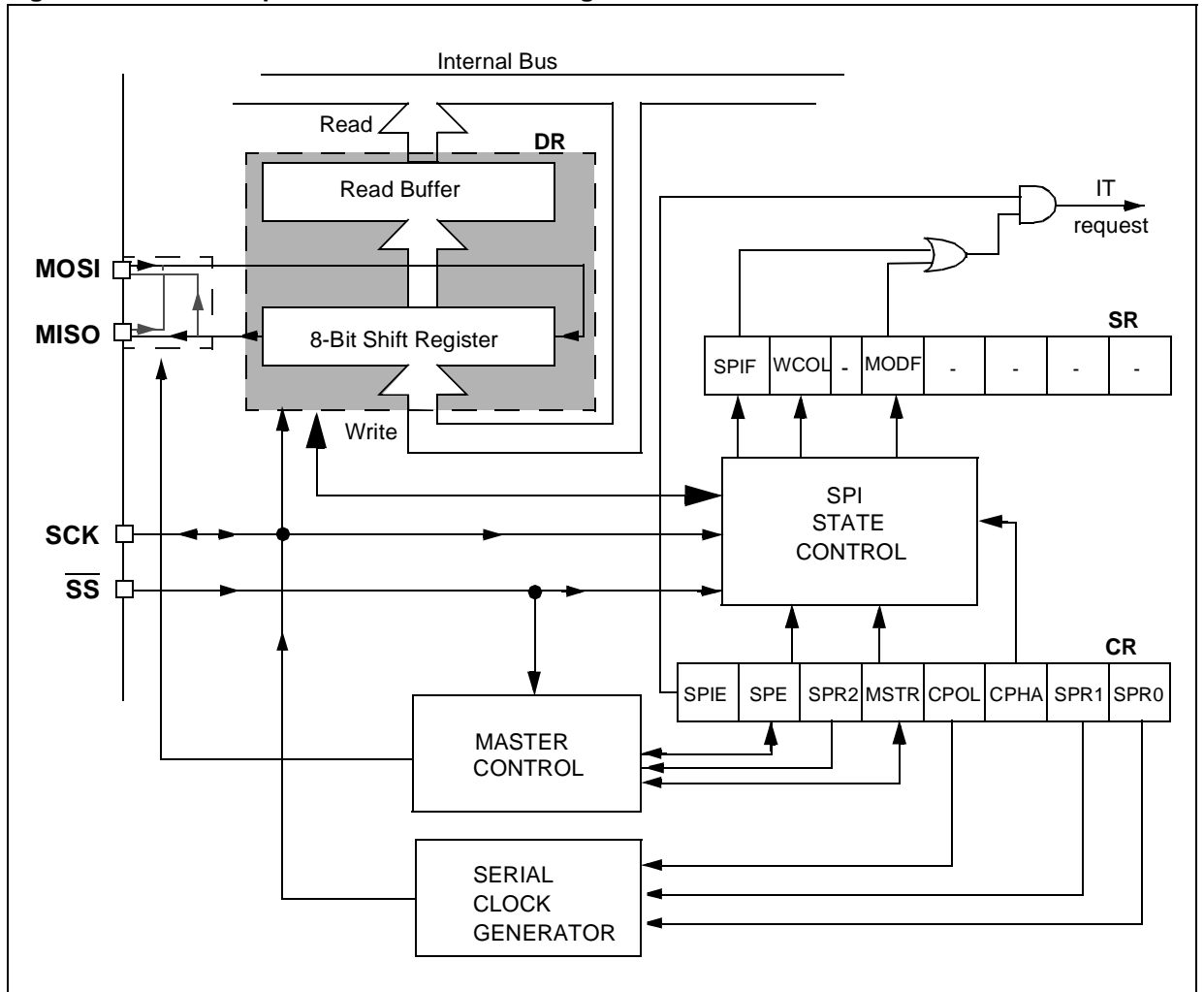
Four possible data/clock timing relationships may be chosen (see [Figure 49](#)) but master and slave must be programmed with the same timing mode.

**Figure 46. Serial Peripheral Interface Master/Slave**



SERIAL PERIPHERAL INTERFACE (Cont'd)

Figure 47. Serial Peripheral Interface Block Diagram





## SERIAL PERIPHERAL INTERFACE (Cont'd)

### 10.5.4 Functional Description

Figure 46 shows the serial peripheral interface (SPI) block diagram.

This interface contains 3 dedicated registers:

- A Control Register (CR)
- A Status Register (SR)
- A Data Register (DR)

Refer to the CR, SR and DR registers in [Section 10.5.7](#) for the bit definitions.

#### 10.5.4.1 Master Configuration

In a master configuration, the serial clock is generated on the SCK pin.

##### Procedure

- Select the SPR0 & SPR1 bits to define the serial clock baud rate (see CR register).
- Select the CPOL and CPHA bits to define one of the four relationships between the data transfer and the serial clock (see [Figure 49](#)).
- The  $\overline{SS}$  pin must be connected to a high level signal during the complete byte transmit sequence.
- The MSTR and SPE bits must be set (they remain set only if the SS pin is connected to a high level signal).

In this configuration the MOSI pin is a data output and to the MISO pin is a data input.

#### Transmit sequence

The transmit sequence begins when a byte is written the DR register.

The data byte is parallel loaded into the 8-bit shift register (from the internal bus) during a write cycle and then shifted out serially to the MOSI pin most significant bit first.

When data transfer is complete:

- The SPIF bit is set by hardware
- An interrupt is generated if the SPIE bit is set and the I bit in the CCR register is cleared.

During the last clock cycle the SPIF bit is set, a copy of the data byte received in the shift register is moved to a buffer. When the DR register is read, the SPI peripheral returns this buffered value.

Clearing the SPIF bit is performed by the following software sequence:

1. An access to the SR register while the SPIF bit is set
2. A read to the DR register.

**Note:** While the SPIF bit is set, all writes to the DR register are inhibited until the SR register is read.

**SERIAL PERIPHERAL INTERFACE (Cont'd)****10.5.4.2 Slave Configuration**

In slave configuration, the serial clock is received on the SCK pin from the master device.

The value of the SPR0 & SPR1 bits is not used for the data transfer.

**Procedure**

- For correct data transfer, the slave device must be in the same timing mode as the master device (CPOL and CPHA bits). See [Figure 49](#).
- The  $\overline{SS}$  pin must be connected to a low level signal during the complete byte transmit sequence.
- Clear the MSTR bit and set the SPE bit to assign the pins to alternate function.

In this configuration the MOSI pin is a data input and the MISO pin is a data output.

**Transmit Sequence**

The data byte is parallel loaded into the 8-bit shift register (from the internal bus) during a write cycle and then shifted out serially to the MISO pin most significant bit first.

The transmit sequence begins when the slave device receives the clock signal and the most significant bit of the data on its MOSI pin.

When data transfer is complete:

- The SPIF bit is set by hardware
- An interrupt is generated if SPIE bit is set and I bit in CCR register is cleared.

During the last clock cycle the SPIF bit is set, a copy of the data byte received in the shift register is moved to a buffer. When the DR register is read, the SPI peripheral returns this buffered value.

Clearing the SPIF bit is performed by the following software sequence:

1. An access to the SR register while the SPIF bit is set.
2. A read to the DR register.

**Notes:** While the SPIF bit is set, all writes to the DR register are inhibited until the SR register is read.

The SPIF bit can be cleared during a second transmission; however, it must be cleared before the second SPIF bit in order to prevent an overrun condition (see [Section 10.5.4.6](#)).

Depending on the CPHA bit, the  $\overline{SS}$  pin has to be set to write to the DR register between each data byte transfer to avoid a write collision (see [Section 10.5.4.4](#)).

## SERIAL PERIPHERAL INTERFACE (Cont'd)

### 10.5.4.3 Data Transfer Format

During an SPI transfer, data is simultaneously transmitted (shifted out serially) and received (shifted in serially). The serial clock is used to synchronize the data transfer during a sequence of eight clock pulses.

The  $\overline{SS}$  pin allows individual selection of a slave device; the other slave devices that are not selected do not interfere with the SPI transfer.

#### Clock Phase and Clock Polarity

Four possible timing relationships may be chosen by software, using the CPOL and CPHA bits.

The CPOL (clock polarity) bit controls the steady state value of the clock when no data is being transferred. This bit affects both master and slave modes.

The combination between the CPOL and CPHA (clock phase) bits selects the data capture clock edge.

Figure 49, shows an SPI transfer with the four combinations of the CPHA and CPOL bits. The diagram may be interpreted as a master or slave timing diagram where the SCK pin, the MISO pin, the MOSI pin are directly connected between the master and the slave device.

The  $\overline{SS}$  pin is the slave device select input and can be driven by the master device.

The master device applies data to its MOSI pin-clock edge before the capture clock edge.

#### CPHA bit is set

The second edge on the SCK pin (falling edge if the CPOL bit is reset, rising edge if the CPOL bit is set) is the MSBit capture strobe. Data is latched on the occurrence of the second clock transition.

No write collision should occur even if the  $\overline{SS}$  pin stays low during a transfer of several bytes (see Figure 48).

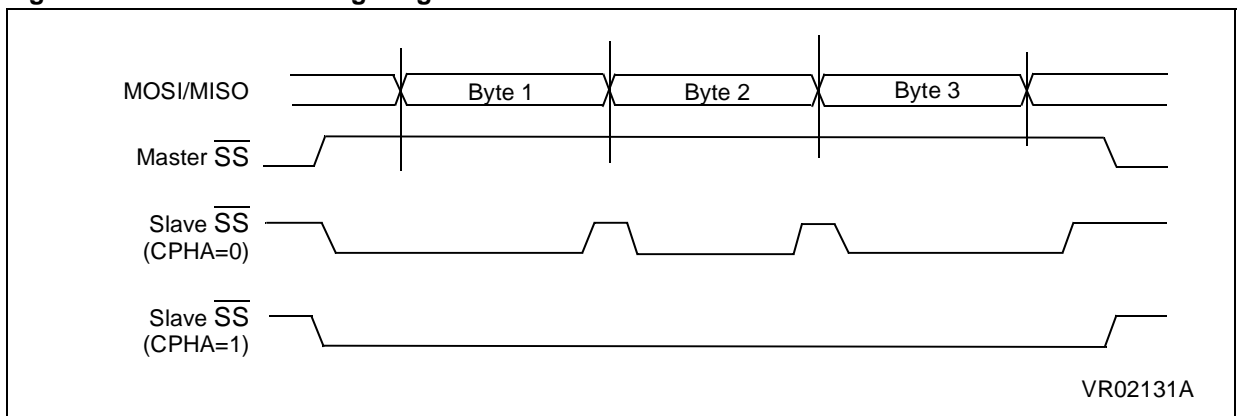
#### CPHA bit is reset

The first edge on the SCK pin (falling edge if CPOL bit is set, rising edge if CPOL bit is reset) is the MSBit capture strobe. Data is latched on the occurrence of the first clock transition.

The  $\overline{SS}$  pin must be toggled high and low between each byte transmitted (see Figure 48).

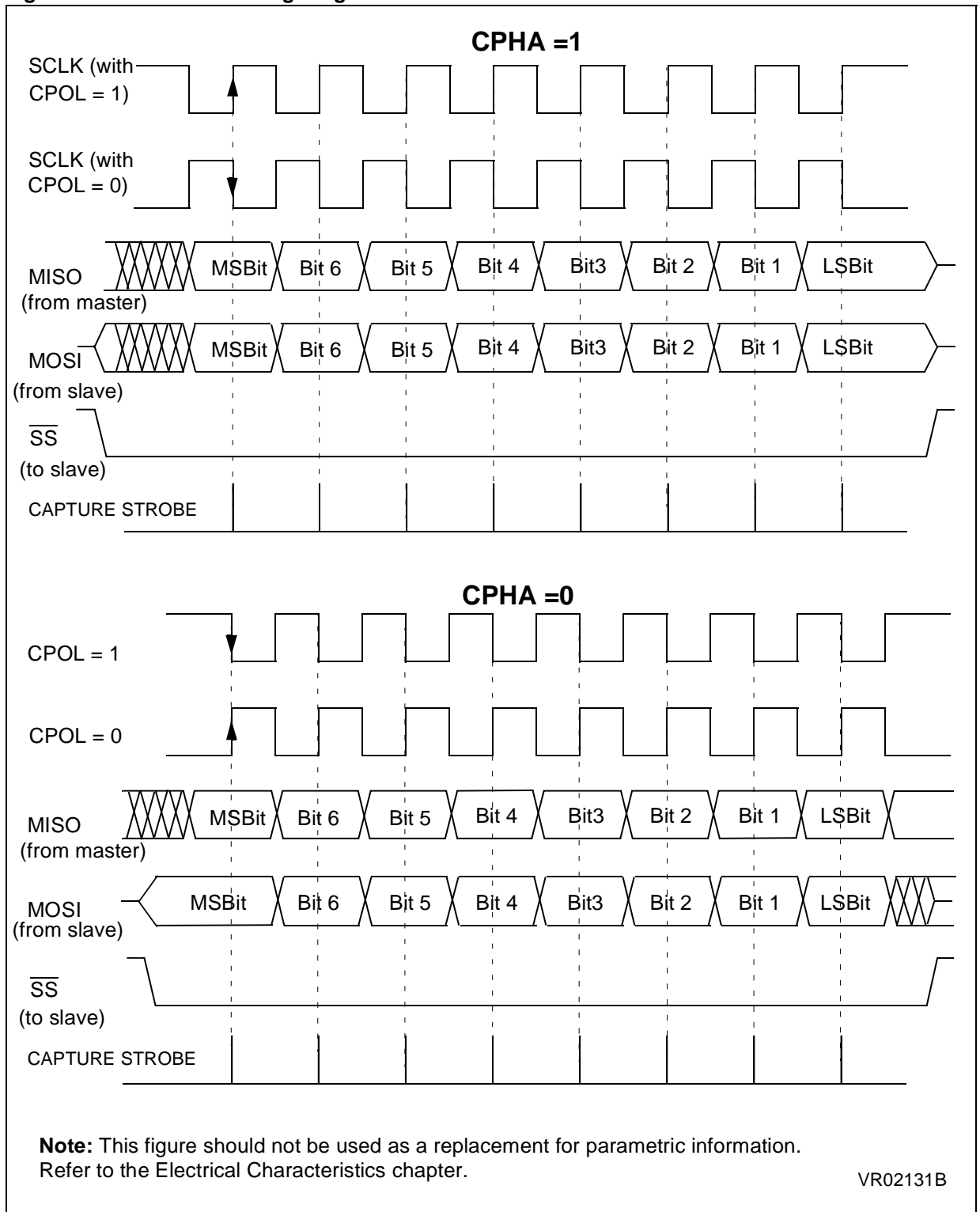
To protect the transmission from a write collision a low value on the  $\overline{SS}$  pin of a slave device freezes the data in its DR register and does not allow it to be altered. Therefore the  $\overline{SS}$  pin must be high to write a new data byte in the DR without producing a write collision.

Figure 48. CPHA /  $\overline{SS}$  Timing Diagram



SERIAL PERIPHERAL INTERFACE (Cont'd)

Figure 49. Data Clock Timing Diagram



## SERIAL PERIPHERAL INTERFACE (Cont'd)

### 10.5.4.4 Write Collision Error

A write collision occurs when the software tries to write to the DR register while a data transfer is taking place with an external device. When this happens, the transfer continues uninterrupted; and the software write will be unsuccessful.

Write collisions can occur both in master and slave mode.

**Note:** a "read collision" will never occur since the received data byte is placed in a buffer in which access is always synchronous with the MCU operation.

#### In Slave mode

When the CPHA bit is set:

The slave device will receive a clock (SCK) edge prior to the latch of the first data transfer. This first clock edge will freeze the data in the slave device DR register and output the MSBit on to the external MISO pin of the slave device.

The  $\overline{SS}$  pin low state enables the slave device but the output of the MSBit onto the MISO pin does not take place until the first data transfer clock edge.

When the CPHA bit is reset:

Data is latched on the occurrence of the first clock transition. The slave device does not have any way of knowing when that transition will occur; therefore, the slave device collision occurs when software attempts to write the DR register after its  $\overline{SS}$  pin has been pulled low.

For this reason, the  $\overline{SS}$  pin must be high, between each data byte transfer, to allow the CPU to write in the DR register without generating a write collision.

#### In Master mode

Collision in the master device is defined as a write of the DR register while the internal serial clock (SCK) is in the process of transfer.

The  $\overline{SS}$  pin signal must be always high on the master device.

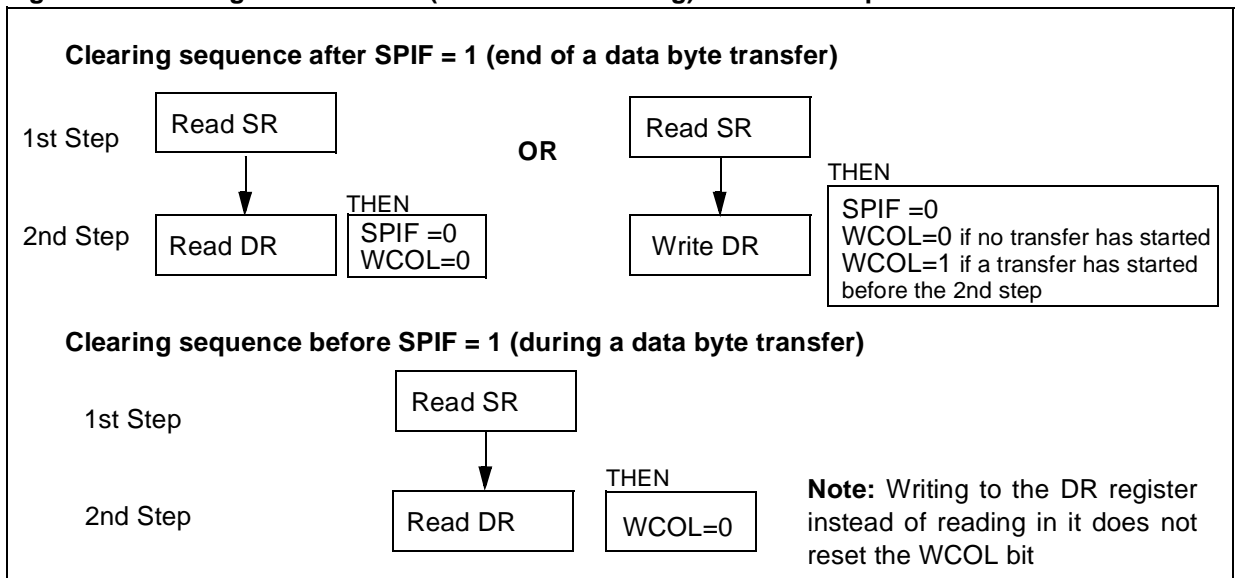
#### WCOL bit

The WCOL bit in the SR register is set if a write collision occurs.

No SPI interrupt is generated when the WCOL bit is set (the WCOL bit is a status flag only).

Clearing the WCOL bit is done through a software sequence (see [Figure 50](#)).

**Figure 50. Clearing the WCOL bit (Write Collision Flag) Software Sequence**



**SERIAL PERIPHERAL INTERFACE (Cont'd)****10.5.4.5 Master Mode Fault**

Master mode fault occurs when the master device has its SS pin pulled low, then the MODF bit is set.

Master mode fault affects the SPI peripheral in the following ways:

- The MODF bit is set and an SPI interrupt is generated if the SPIE bit is set.
- The SPE bit is reset. This blocks all output from the device and disables the SPI peripheral.
- The MSTR bit is reset, thus forcing the device into slave mode.

Clearing the MODF bit is done through a software sequence:

1. A read or write access to the SR register while the MODF bit is set.
2. A write to the CR register.

**Notes:** To avoid any multiple slave conflicts in the case of a system comprising several MCUs, the SS pin must be pulled high during the clearing sequence of the MODF bit. The SPE and MSTR bits

may be restored to their original state during or after this clearing sequence.

Hardware does not allow the user to set the SPE and MSTR bits while the MODF bit is set except in the MODF bit clearing sequence.

In a slave device the MODF bit can not be set, but in a multi master configuration the device can be in slave mode with this MODF bit set.

The MODF bit indicates that there might have been a multi-master conflict for system control and allows a proper exit from system operation to a reset or default system state using an interrupt routine.

**10.5.4.6 Overrun Condition**

An overrun condition occurs when the master device has sent several data bytes and the slave device has not cleared the SPIF bit issuing from the previous data byte transmitted.

In this case, the receiver buffer contains the byte sent after the SPIF bit was last cleared. A read to the DR register returns this byte. All other bytes are lost.

This condition is not detected by the SPI peripheral.

## SERIAL PERIPHERAL INTERFACE (Cont'd)

### 10.5.4.7 Single Master and Multimaster Configurations

There are two types of SPI systems:

- Single Master System
- Multimaster System

#### Single Master System

A typical single master system may be configured, using an MCU as the master and four MCUs as slaves (see [Figure 51](#)).

The master device selects the individual slave devices by using four pins of a parallel port to control the four  $\overline{SS}$  pins of the slave devices.

The  $\overline{SS}$  pins are pulled high during reset since the master device ports will be forced to be inputs at that time, thus disabling the slave devices.

**Note:** To prevent a bus conflict on the MISO line the master allows only one active slave device during a transmission.

For more security, the slave device may respond to the master with the received data byte. Then the master will receive the previous byte back from the slave device if all MISO and MOSI pins are connected and the slave has not written its DR register.

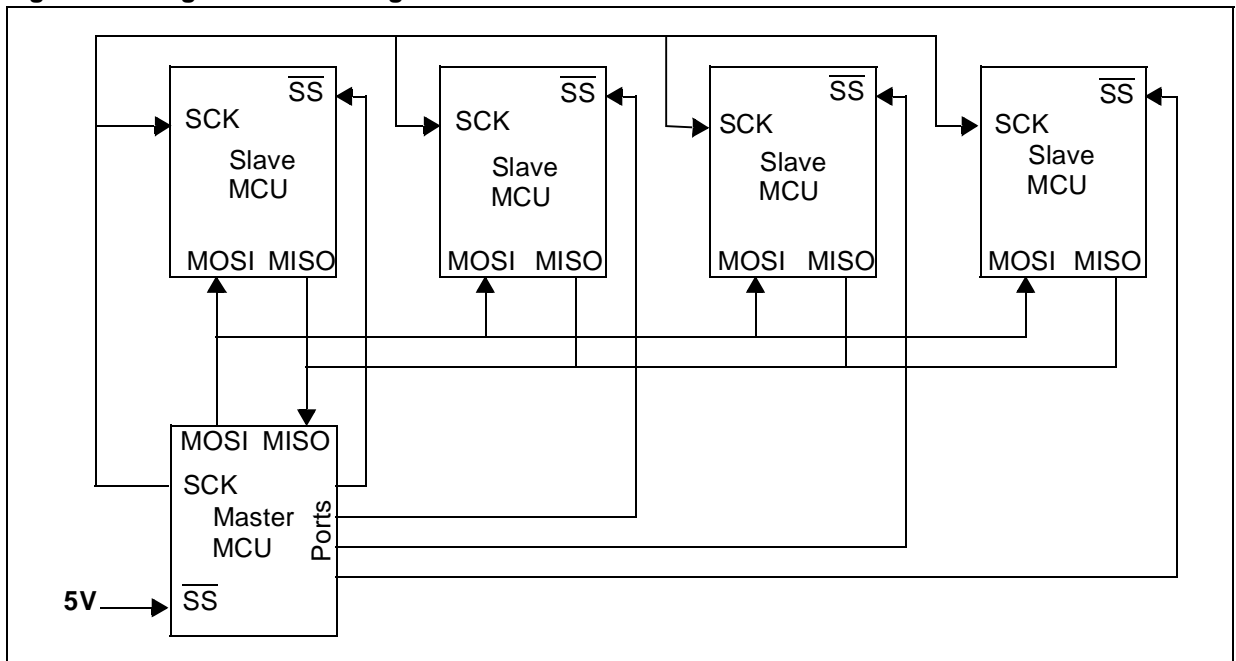
Other transmission security methods can use ports for handshake lines or data bytes with command fields.

#### Multi-master System

A multi-master system may also be configured by the user. Transfer of master control could be implemented using a handshake method through the I/O ports or by an exchange of code messages through the serial peripheral interface system.

The multi-master system is principally handled by the MSTR bit in the CR register and the MODF bit in the SR register.

**Figure 51. Single Master Configuration**



**SERIAL PERIPHERAL INTERFACE (Cont'd)****10.5.5 Low Power Modes**

Mode	Description
WAIT	No effect on SPI. SPI interrupt events cause the device to exit from WAIT mode.
HALT	SPI registers are frozen. In HALT mode, the SPI is inactive. SPI operation resumes when the MCU is woken up by an interrupt with "exit from HALT mode" capability.

**10.5.6 Interrupts**

Interrupt Event	Event Flag	Enable Control Bit	Exit from Wait	Exit from Halt
SPI End of Transfer Event	SPIF	SPIE	Yes	No
Master Mode Fault Event	MODF		Yes	No

**Note:** The SPI interrupt events are connected to the same interrupt vector (see Interrupts chapter). They generate an interrupt if the corresponding Enable Control Bit is set and the interrupt mask in the CC register is reset (RIM instruction).



**SERIAL PERIPHERAL INTERFACE (Cont'd)****10.5.7 Register Description****CONTROL REGISTER (CR)**

Read/Write

Reset Value: 0000xxxx (0xh)

7							0
SPIE	SPE	SPR2	MSTR	CPOL	CPHA	SPR1	SPR0

Bit 7 = **SPIE** *Serial peripheral interrupt enable.*

This bit is set and cleared by software.

0: Interrupt is inhibited

1: An SPI interrupt is generated whenever SPIF=1 or MODF=1 in the SR register

Bit 6 = **SPE** *Serial peripheral output enable.*

This bit is set and cleared by software. It is also cleared by hardware when, in master mode, SS=0 (see [Section 10.5.4.5 "Master Mode Fault" on page 86](#)).

0: I/O port connected to pins

1: SPI alternate functions connected to pins

The SPE bit is cleared by reset, so the SPI peripheral is not initially connected to the external pins.

Bit 5 = **SPR2** *Divider Enable.*

this bit is set and cleared by software and it is cleared by reset. It is used with the SPR[1:0] bits to set the baud rate. Refer to [Table 20](#).

0: Divider by 2 enabled

1: Divider by 2 disabled

Bit 4 = **MSTR** *Master.*

This bit is set and cleared by software. It is also cleared by hardware when, in master mode, SS=0 (see [Section 10.5.4.5 "Master Mode Fault" on page 86](#)).

0: Slave mode is selected

1: Master mode is selected, the function of the SCK pin changes from an input to an output and the functions of the MISO and MOSI pins are reversed.

Bit 3 = **CPOL** *Clock polarity.*

This bit is set and cleared by software. This bit determines the steady state of the serial Clock. The CPOL bit affects both the master and slave modes.

0: The steady state is a low value at the SCK pin.

1: The steady state is a high value at the SCK pin.

Bit 2 = **CPHA** *Clock phase.*

This bit is set and cleared by software.

0: The first clock transition is the first data capture edge.

1: The second clock transition is the first capture edge.

Bit 1:0 = **SPR[1:0]** *Serial peripheral rate.*

These bits are set and cleared by software. Used with the SPR2 bit, they select one of six baud rates to be used as the serial clock when the device is a master.

These 2 bits have no effect in slave mode.

**Table 20. Serial Peripheral Baud Rate**

Serial Clock	SPR2	SPR1	SPR0
$f_{CPU}/4$	1	0	0
$f_{CPU}/8$	0	0	0
$f_{CPU}/16$	0	0	1
$f_{CPU}/32$	1	1	0
$f_{CPU}/64$	0	1	0
$f_{CPU}/128$	0	1	1

**SERIAL PERIPHERAL INTERFACE (Cont'd)**

**STATUS REGISTER (SR)**

Read Only

Reset Value: 0000 0000 (00h)

7							0
SPIF	WCOL	-	MODF	-	-	-	-

Bit 7 = **SPIF** *Serial Peripheral data transfer flag*.  
 This bit is set by hardware when a transfer has been completed. An interrupt is generated if SPIE=1 in the CR register. It is cleared by a software sequence (an access to the SR register followed by a read or write to the DR register).

0: Data transfer is in progress or has been approved by a clearing sequence.

1: Data transfer between the device and an external device has been completed.

**Note:** While the SPIF bit is set, all writes to the DR register are inhibited.

Bit 6 = **WCOL** *Write Collision status*.

This bit is set by hardware when a write to the DR register is done during a transmit sequence. It is cleared by a software sequence (see [Figure 50](#)).

0: No write collision occurred

1: A write collision has been detected

Bit 5 = Unused.

Bit 4 = **MODF** *Mode Fault flag*.

This bit is set by hardware when the  $\overline{SS}$  pin is pulled low in master mode (see [Section 10.5.4.5 "Master Mode Fault" on page 86](#)). An SPI interrupt can be generated if SPIE=1 in the CR register. This bit is cleared by a software sequence (An access to the SR register while MODF=1 followed by a write to the CR register).

0: No master mode fault detected

1: A fault in master mode has been detected

Bits 3-0 = Unused.

**DATA I/O REGISTER (DR)**

Read/Write

Reset Value: Undefined

7							0
D7	D6	D5	D4	D3	D2	D1	D0

The DR register is used to transmit and receive data on the serial bus. In the master device only a write to this register will initiate transmission/reception of another byte.

**Notes:** During the last clock cycle the SPIF bit is set, a copy of the received data byte in the shift register is moved to a buffer. When the user reads the serial peripheral data I/O register, the buffer is actually being read.

**Warning:**

A write to the DR register places data directly into the shift register for transmission.

A read to the the DR register returns the value located in the buffer and not the contents of the shift register (See [Figure 47](#) ).

## SERIAL PERIPHERAL INTERFACE (Cont'd)

Table 21. SPI Register Map and Reset Values

Address (Hex.)	Register Label	7	6	5	4	3	2	1	0
0021h	<b>SPIDR</b> Reset Value	MSB x	x	x	x	x	x	x	LSB x
0022h	<b>SPICR</b> Reset Value	SPIE 0	SPE 0	SPR2 0	MSTR 0	CPOL x	CPHA x	SPR1 x	SPR0 x
0023h	<b>SPISR</b> Reset Value	SPIF 0	WCOL 0	0	MODF 0	0	0	0	0

## 10.6 SERIAL COMMUNICATIONS INTERFACE (SCI)

### 10.6.1 Introduction

The Serial Communications Interface (SCI) offers a flexible means of full-duplex data exchange with external equipment requiring an industry standard NRZ asynchronous

serial data format. The SCI offers a very wide range of baud rates using two baud rate generator systems.

### 10.6.2 Main Features

- Full duplex, asynchronous communications
- NRZ standard format (Mark/Space)
- Dual baud rate generator systems
- Independently programmable transmit and receive baud rates up to 250K baud using conventional baud rate generator and up to 500K baud using the extended baud rate generator.
- Programmable data word length (8 or 9 bits)
- Receive buffer full, Transmit buffer empty and End of Transmission flags
- Two receiver wake-up modes:
  - Address bit (MSB)
  - Idle line
- Muting function for multiprocessor configurations
- LIN compatible (if MCU clock frequency tolerance  $\leq 2\%$ )
- Separate enable bits for Transmitter and Receiver
- Three error detection flags:
  - Overrun error
  - Noise error
  - Frame error
- Five interrupt sources with flags:
  - Transmit data register empty
  - Transmission complete
  - Receive data register full
  - Idle line received
  - Overrun error detected

### 10.6.3 General Description

The interface is externally connected to another device by two pins (see Figure 2.):

- TDO: Transmit Data Output. When the transmitter is disabled, the output pin returns to its I/O port configuration. When the transmitter is enabled and nothing is to be transmitted, the TDO pin is at high level.
- RDI: Receive Data Input is the serial data input. Oversampling techniques are used for data recovery by discriminating between valid incoming data and noise.

Through this pins, serial data is transmitted and received as frames comprising:

- An Idle Line prior to transmission or reception
- A start bit
- A data word (8 or 9 bits) least significant bit first
- A Stop bit indicating that the frame is complete.

This interface uses two types of baud rate generator:

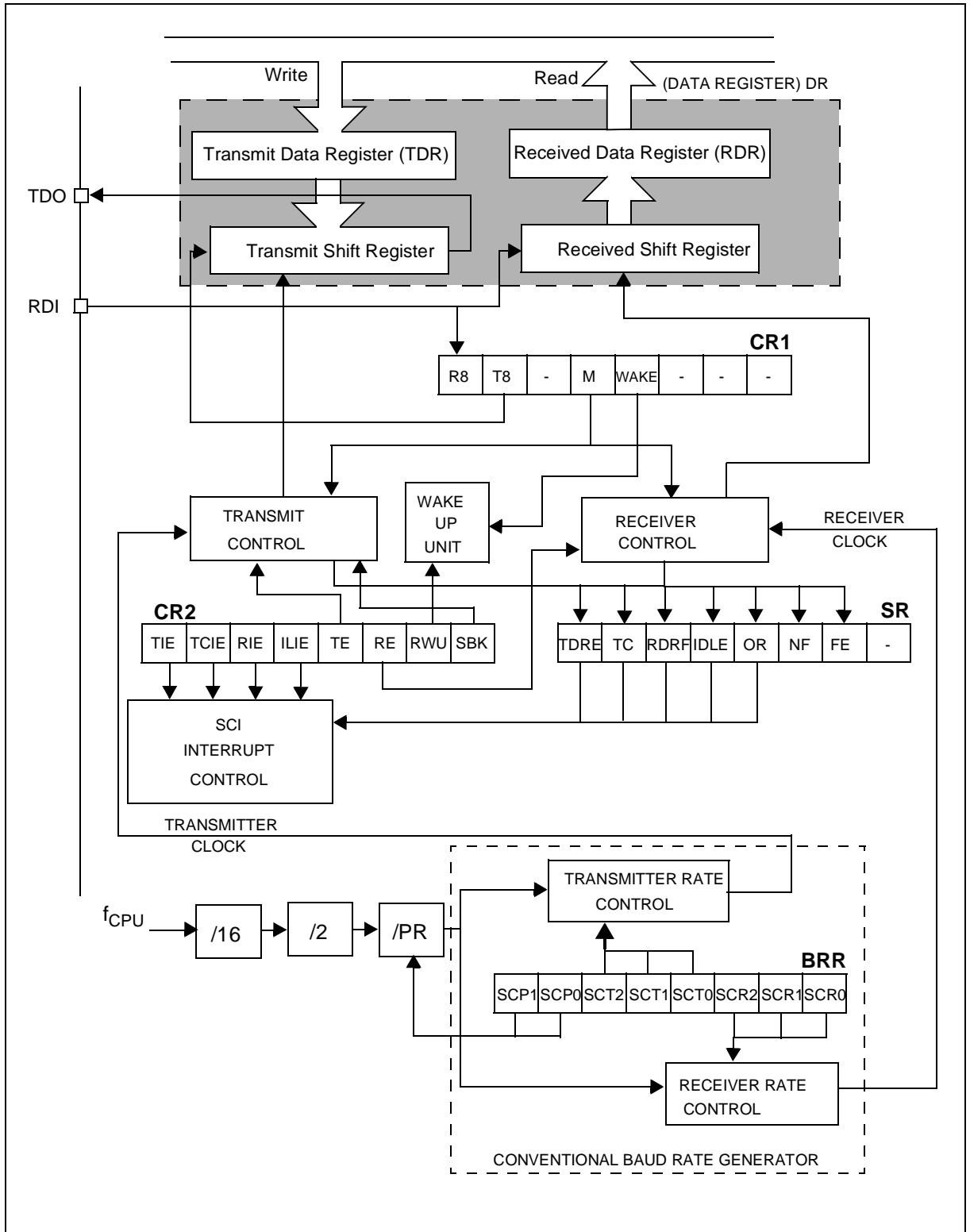
- A conventional type for commonly-used baud rates,
- An extended type with a prescaler offering a very wide range of baud rates even with non-standard oscillator frequencies.

### 10.6.4 LIN Protocol support

For LIN applications where resynchronization is not required (application clock tolerance less than or equal to 2%) the LIN protocol can be efficiently implemented with this standard SCI.

SERIAL COMMUNICATIONS INTERFACE (Cont'd)

Figure 52. SCI Block Diagram



**SERIAL COMMUNICATIONS INTERFACE (Cont'd)**

**10.6.5 Functional Description**

The block diagram of the Serial Control Interface, is shown in Figure 1.. It contains 6 dedicated registers:

- Two control registers (CR1 & CR2)
- A status register (SR)
- A baud rate register (BRR)
- An extended prescaler receiver register (ERPR)
- An extended prescaler transmitter register (ETPR)

Refer to the register descriptions in [Section 0.1.8](#) for the definitions of each bit.

**10.6.5.1 Serial Data Format**

Word length may be selected as being either 8 or 9 bits by programming the M bit in the CR1 register (see Figure 1.).

The TDO pin is in low state during the start bit.

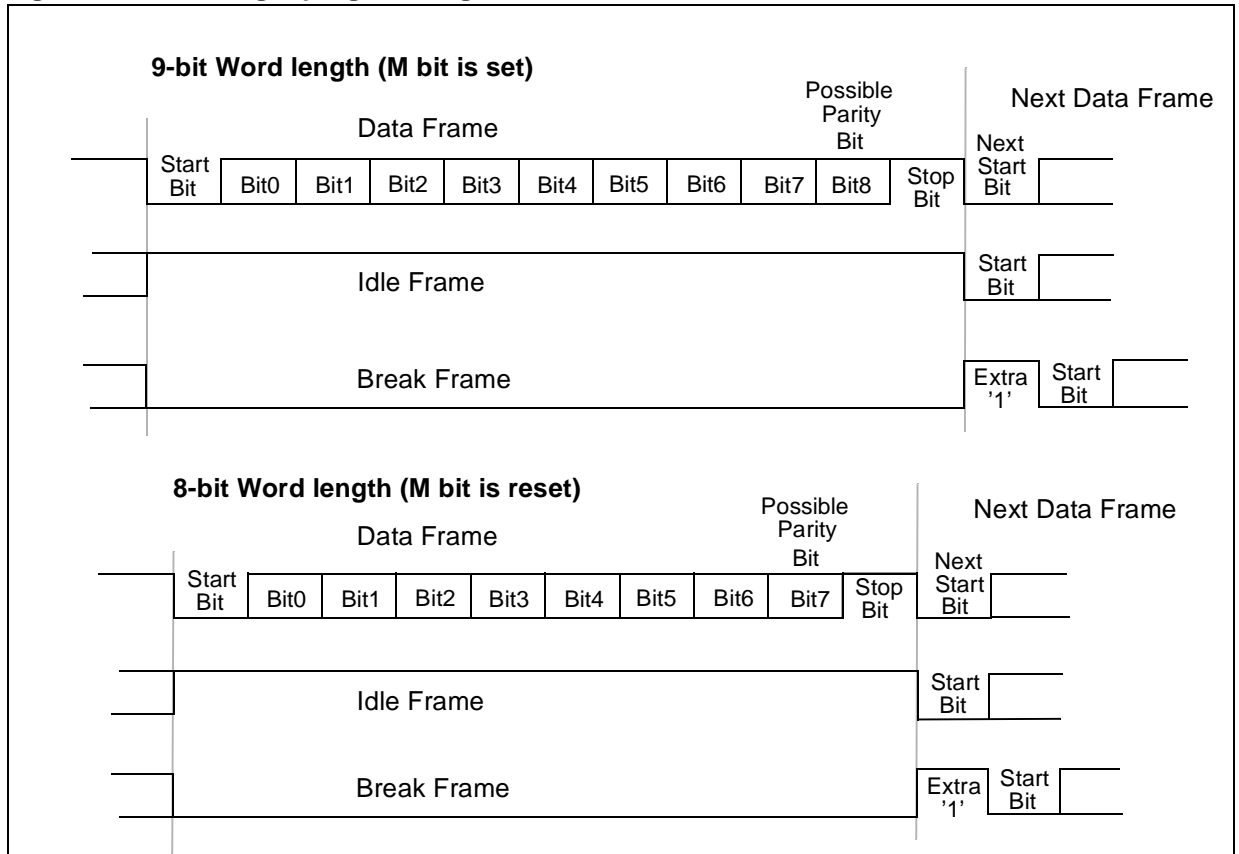
The TDO pin is in high state during the stop bit.

An Idle character is interpreted as an entire frame of "1"s followed by the start bit of the next frame which contains data.

A Break character is interpreted on receiving "0"s for some multiple of the frame period. At the end of the last break frame the transmitter inserts an extra "1" bit to acknowledge the start bit.

Transmission and reception are driven by their own baud rate generator.

**Figure 53. Word length programming**



**SERIAL COMMUNICATIONS INTERFACE (Cont'd)****10.6.5.2 Transmitter**

The transmitter can send data words of either 8 or 9 bits depending on the M bit status. When the M bit is set, word length is 9 bits and the 9th bit (the MSB) has to be stored in the T8 bit in the CR1 register.

**Character Transmission**

During an SCI transmission, data shifts out least significant bit first on the TDO pin. In this mode, the DR register consists of a buffer (TDR) between the internal bus and the transmit shift register (see Figure 1.).

**Procedure**

- Select the M bit to define the word length.
- Select the desired baud rate using the BRR and the ETPR registers.
- Set the TE bit to assign the TDO pin to the alternate function and to send a idle frame as first transmission.
- Access the SR register and write the data to send in the DR register (this sequence clears the TDRE bit). Repeat this sequence for each data to be transmitted.

Clearing the TDRE bit is always performed by the following software sequence:

1. An access to the SR register
2. A write to the DR register

The TDRE bit is set by hardware and it indicates:

- The TDR register is empty.
- The data transfer is beginning.
- The next data can be written in the DR register without overwriting the previous data.

This flag generates an interrupt if the TIE bit is set and the I bit is cleared in the CCR register.

When a transmission is taking place, a write instruction to the DR register stores the data in the TDR register and which is copied in the shift register at the end of the current transmission.

When no transmission is taking place, a write instruction to the DR register places the data directly in the shift register, the data transmission starts, and the TDRE bit is immediately set.

When a frame transmission is complete (after the stop bit or after the break frame) the TC bit is set and an interrupt is generated if the TCIE is set and the I bit is cleared in the CCR register.

Clearing the TC bit is performed by the following software sequence:

1. An access to the SR register
2. A write to the DR register

**Note:** The TDRE and TC bits are cleared by the same software sequence.

**Break Characters**

Setting the SBK bit loads the shift register with a break character. The break frame length depends on the M bit (see Figure 2.).

As long as the SBK bit is set, the SCI send break frames to the TDO pin. After clearing this bit by software the SCI insert a logic 1 bit at the end of the last break frame to guarantee the recognition of the start bit of the next frame.

**Idle Characters**

Setting the TE bit drives the SCI to send an idle frame before the first data frame.

Clearing and then setting the TE bit during a transmission sends an idle frame after the current word.

**Note:** Resetting and setting the TE bit causes the data in the TDR register to be lost. Therefore the best time to toggle the TE bit is when the TDRE bit is set i.e. before writing the next byte in the DR.

**SERIAL COMMUNICATIONS INTERFACE (Cont'd)****10.6.5.3 Receiver**

The SCI can receive data words of either 8 or 9 bits. When the M bit is set, word length is 9 bits and the MSB is stored in the R8 bit in the CR1 register.

**Character reception**

During a SCI reception, data shifts in least significant bit first through the RDI pin. In this mode, DR register consists in a buffer (RDR) between the internal bus and the received shift register (see Figure 1.).

**Procedure**

- Select the M bit to define the word length.
- Select the desired baud rate using the BRR and the ERPR registers.
- Set the RE bit, this enables the receiver which begins searching for a start bit.

When a character is received:

- The RDRF bit is set. It indicates that the content of the shift register is transferred to the RDR.
- An interrupt is generated if the RIE bit is set and the I bit is cleared in the CCR register.
- The error flags can be set if a frame error, noise or an overrun error has been detected during reception.

Clearing the RDRF bit is performed by the following software sequence done by:

1. An access to the SR register
2. A read to the DR register.

The RDRF bit must be cleared before the end of the reception of the next character to avoid an overrun error.

**Break Character**

When a break character is received, the SCI handles it as a framing error.

**Idle Character**

When an idle frame is detected, there is the same procedure as a data received character plus an interrupt if the ILIE bit is set and the I bit is cleared in the CCR register.

**Overrun Error**

An overrun error occurs when a character is received when RDRF has not been reset. Data can not be transferred from the shift register to the TDR register as long as the RDRF bit is not cleared.

When an overrun error occurs:

- The OR bit is set.
- The RDR content will not be lost.
- The shift register will be overwritten.
- An interrupt is generated if the RIE bit is set and the I bit is cleared in the CCR register.

The OR bit is reset by an access to the SR register followed by a DR register read operation.

**Noise Error**

Oversampling techniques are used for data recovery by discriminating between valid incoming data and noise.

When noise is detected in a frame:

- The NF is set at the rising edge of the RDRF bit.
- Data is transferred from the Shift register to the DR register.
- No interrupt is generated. However this bit rises at the same time as the RDRF bit which itself generates an interrupt.

The NF bit is reset by a SR register read operation followed by a DR register read operation.

**Framing Error**

A framing error is detected when:

- The stop bit is not recognized on reception at the expected time, following either a de-synchronization or excessive noise.
- A break is received.

When the framing error is detected:

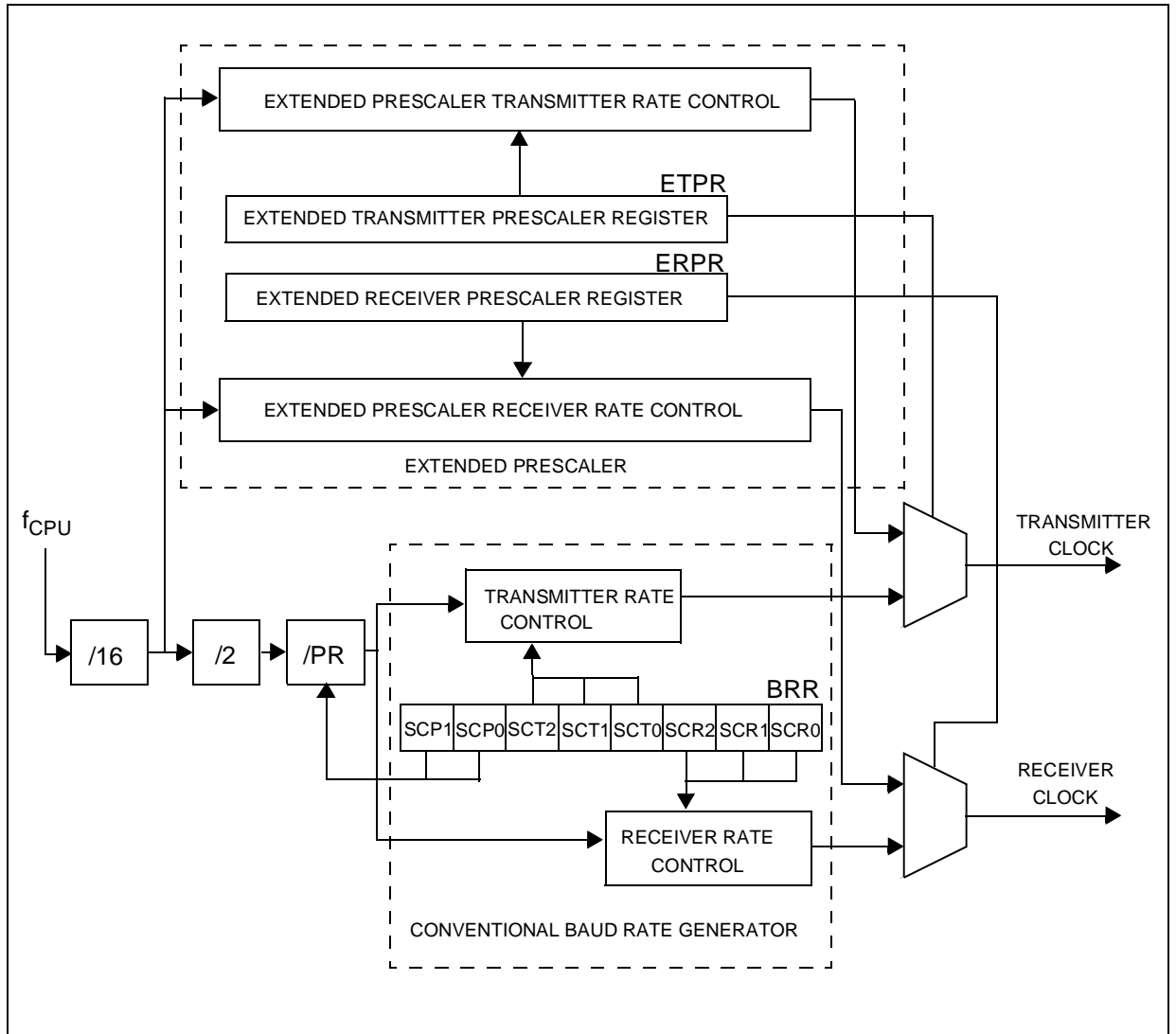
- the FE bit is set by hardware
- Data is transferred from the Shift register to the DR register.
- No interrupt is generated. However this bit rises at the same time as the RDRF bit which itself generates an interrupt.

The FE bit is reset by a SR register read operation followed by a DR register read operation.



## SERIAL COMMUNICATIONS INTERFACE (Cont'd)

Figure 54. SCI Baud Rate and Extended Prescaler Block Diagram



**SERIAL COMMUNICATIONS INTERFACE (Cont'd)****10.6.5.4 Conventional Baud Rate Generation**

The baud rate for the receiver and transmitter (Rx and Tx) are set independently and calculated as follows:

$$Tx = \frac{f_{CPU}}{(32 \cdot PR) \cdot TR} \quad Rx = \frac{f_{CPU}}{(32 \cdot PR) \cdot RR}$$

with:

PR = 1, 3, 4 or 13 (see SCP0 & SCP1 bits)

TR = 1, 2, 4, 8, 16, 32, 64, 128

(see SCT0, SCT1 & SCT2 bits)

RR = 1, 2, 4, 8, 16, 32, 64, 128

(see SCR0, SCR1 & SCR2 bits)

All this bits are in the BRR register.

**Example:** If  $f_{CPU}$  is 8 MHz (normal mode) and if PR=13 and TR=RR=1, the transmit and receive baud rates are 19200 baud.

**Caution:** The baud rate registers MUST NOT be written to (changed or refreshed) while the transmitter or the receiver is enabled.

**10.6.5.5 Extended Baud Rate Generation**

The extended prescaler option gives a very fine tuning on the baud rate, using a 255 value prescaler, whereas the conventional Baud Rate Generator retains industry standard software compatibility.

The extended baud rate generator block diagram is described in the Figure 3..

The output clock rate sent to the transmitter or to the receiver will be the output from the 16 divider divided by a factor ranging from 1 to 255 set in the ERPR or the ETPR register.

**Note:** the extended prescaler is activated by setting the ETPR or ERPR register to a value other

than zero. The baud rates are calculated as follows:

$$Tx = \frac{f_{CPU}}{16 \cdot ETPR} \quad Rx = \frac{f_{CPU}}{16 \cdot ERPR}$$

with:

ETPR = 1,...,255 (see ETPR register)

ERPR = 1,.. 255 (see ERPR register)

**10.6.5.6 Receiver Muting and Wake-up Feature**

In multiprocessor configurations it is often desirable that only the intended message recipient should actively receive the full message contents, thus reducing redundant SCI service overhead for all non addressed receivers.

The non addressed devices may be placed in sleep mode by means of the muting function.

Setting the RWU bit by software puts the SCI in sleep mode:

All the reception status bits can not be set.

All the receive interrupt are inhibited.

A muted receiver may be awakened by one of the following two ways:

- by Idle Line detection if the WAKE bit is reset,
- by Address Mark detection if the WAKE bit is set.

Receiver wakes-up by Idle Line detection when the Receive line has recognised an Idle Frame. Then the RWU bit is reset by hardware but the IDLE bit is not set.

Receiver wakes-up by Address Mark detection when it received a "1" as the most significant bit of a word, thus indicating that the message is an address. The reception of this particular word wakes up the receiver, resets the RWU bit and sets the RDRF bit, which allows the receiver to receive this word normally and to use it as an address word.

**SERIAL COMMUNICATIONS INTERFACE (Cont'd)****10.6.6 Low Power Modes**

Mode	Description
WAIT	No effect on SCI. SCI interrupts cause the device to exit from Wait mode.
HALT	SCI registers are frozen. In Halt mode, the SCI stops transmitting/receiving until Halt mode is exited.

**10.6.7 Interrupts**

Interrupt Event	Event Flag	Enable Control Bit	Exit from Wait	Exit from Halt
Transmit Data Register Empty	TDRE	TIE	Yes	No
Transmission Complete	TC	TCIE	Yes	No
Received Data Ready to be Read	RDRF	RIE	Yes	No
Overrun Error Detected	OR		Yes	No
Idle Line Detected	IDLE	ILIE	Yes	No

The SCI interrupt events are connected to the same interrupt vector (see Interrupts chapter).

These events generate an interrupt if the corresponding Enable Control Bit is set and the interrupt mask in the CC register is reset (RIM instruction).

**SERIAL COMMUNICATIONS INTERFACE (Cont'd)**

**10.6.8 Register Description**

**STATUS REGISTER (SR)**

Read Only

Reset Value: 1100 0000 (C0h)

7							0
TDRE	TC	RDRF	IDLE	OR	NF	FE	-

**Bit 7 = TDRE** *Transmit data register empty.*  
 This bit is set by hardware when the content of the TDR register has been transferred into the shift register. An interrupt is generated if the TIE =1 in the CR2 register. It is cleared by a software sequence (an access to the SR register followed by a write to the DR register).

0: Data is not transferred to the shift register  
 1: Data is transferred to the shift register

**Note:** data will not be transferred to the shift register as long as the TDRE bit is not reset.

**Bit 6 = TC** *Transmission complete.*  
 This bit is set by hardware when transmission of a frame containing Data, a Preamble or a Break is complete. An interrupt is generated if TCIE=1 in the CR2 register. It is cleared by a software sequence (an access to the SR register followed by a write to the DR register).

0: Transmission is not complete  
 1: Transmission is complete

**Bit 5 = RDRF** *Received data ready flag.*  
 This bit is set by hardware when the content of the RDR register has been transferred into the DR register. An interrupt is generated if RIE=1 in the CR2 register. It is cleared by a software sequence (an access to the SR register followed by a read to the DR register).

0: Data is not received  
 1: Received data is ready to be read

**Bit 4 = IDLE** *Idle line detect.*  
 This bit is set by hardware when a Idle Line is detected. An interrupt is generated if the ILIE=1 in the CR2 register. It is cleared by a software sequence (an access to the SR register followed by a read to the DR register).

0: No Idle Line is detected  
 1: Idle Line is detected

**Note:** The IDLE bit will not be set again until the RDRF bit has been set itself (i.e. a new idle line occurs). This bit is not set by an idle line when the receiver wakes up from wake-up mode.

**Bit 3 = OR** *Overrun error.*  
 This bit is set by hardware when the word currently being received in the shift register is ready to be transferred into the RDR register while RDRF=1. An interrupt is generated if RIE=1 in the CR2 register. It is cleared by a software sequence (an access to the SR register followed by a read to the DR register).

0: No Overrun error  
 1: Overrun error is detected

**Note:** When this bit is set RDR register content will not be lost but the shift register will be overwritten.

**Bit 2 = NF** *Noise flag.*  
 This bit is set by hardware when noise is detected on a received frame. It is cleared by a software sequence (an access to the SR register followed by a read to the DR register).

0: No noise is detected  
 1: Noise is detected

**Note:** This bit does not generate interrupt as it appears at the same time as the RDRF bit which itself generates an interrupt.

**Bit 1 = FE** *Framing error.*  
 This bit is set by hardware when a de-synchronization, excessive noise or a break character is detected. It is cleared by a software sequence (an access to the SR register followed by a read to the DR register).

0: No Framing error is detected  
 1: Framing error or break character is detected

**Note:** This bit does not generate interrupt as it appears at the same time as the RDRF bit which itself generates an interrupt. If the word currently being transferred causes both frame error and overrun error, it will be transferred and only the OR bit will be set.

Bit 0 = Unused.

**SERIAL COMMUNICATIONS INTERFACE (Cont'd)****CONTROL REGISTER 1 (CR1)**

Read/Write

Reset Value: Undefined

7							0
R8	T8	-	M	WAKE	-	-	-

Bit 7 = **R8** *Receive data bit 8.*

This bit is used to store the 9th bit of the received word when M=1.

Bit 6 = **T8** *Transmit data bit 8.*

This bit is used to store the 9th bit of the transmitted word when M=1.

Bit 4 = **M** *Word length.*

This bit determines the word length. It is set or cleared by software.

0: 1 Start bit, 8 Data bits, 1 Stop bit

1: 1 Start bit, 9 Data bits, 1 Stop bit

Bit 3 = **WAKE** *Wake-Up method.*

This bit determines the SCI Wake-Up method, it is set or cleared by software.

0: Idle Line

1: Address Mark

**CONTROL REGISTER 2 (CR2)**

Read/Write

Reset Value: 0000 0000 (00h)

7							0
TIE	TCIE	RIE	ILIE	TE	RE	RWU	SBK

Bit 7 = **TIE** *Transmitter interrupt enable.*

This bit is set and cleared by software.

0: interrupt is inhibited

1: An SCI interrupt is generated whenever TDRE=1 in the SR register.

Bit 6 = **TCIE** *Transmission complete interrupt enable*

This bit is set and cleared by software.

0: interrupt is inhibited

1: An SCI interrupt is generated whenever TC=1 in the SR register

Bit 5 = **RIE** *Receiver interrupt enable.*

This bit is set and cleared by software.

0: interrupt is inhibited

1: An SCI interrupt is generated whenever OR=1 or RDRF=1 in the SR register

Bit 4 = **ILIE** *Idle line interrupt enable.*

This bit is set and cleared by software.

0: interrupt is inhibited

1: An SCI interrupt is generated whenever IDLE=1 in the SR register.

Bit 3 = **TE** *Transmitter enable.*

This bit enables the transmitter and assigns the TDO pin to the alternate function. It is set and cleared by software.

0: Transmitter is disabled, the TDO pin is back to the I/O port configuration.

1: Transmitter is enabled

**Note:** during transmission, a "0" pulse on the TE bit ("0" followed by "1") sends a preamble after the current word.Bit 2 = **RE** *Receiver enable.*

This bit enables the receiver. It is set and cleared by software.

0: Receiver is disabled.

1: Receiver is enabled and begins searching for a start bit.

Bit 1 = **RWU** *Receiver wake-up.*

This bit determines if the SCI is in mute mode or not. It is set and cleared by software and can be cleared by hardware when a wake-up sequence is recognized.

0: Receiver in active mode

1: Receiver in mute mode

Bit 0 = **SBK** *Send break.*

This bit set is used to send break characters. It is set and cleared by software.

0: No break character is transmitted

1: Break characters are transmitted

**Note:** If the SBK bit is set to "1" and then to "0", the transmitter will send a BREAK word at the end of the current word.

**SERIAL COMMUNICATIONS INTERFACE (Cont'd)**

**DATA REGISTER (DR)**

Read/Write

Reset Value: Undefined

Contains the Received or Transmitted data character, depending on whether it is read from or written to.

7							0
DR7	DR6	DR5	DR4	DR3	DR2	DR1	DR0

The Data register performs a double function (read and write) since it is composed of two registers, one for transmission (TDR) and one for reception (RDR).

The TDR register provides the parallel interface between the internal bus and the output shift register (see Figure 1.).

The RDR register provides the parallel interface between the input shift register and the internal bus (see Figure 1.).

**BAUD RATE REGISTER (BRR)**

Read/Write

Reset Value: 00xx xxxx (XXh)

7							0
SCP1	SCP0	SCT2	SCT1	SCT0	SCR2	SCR1	SCR0

Bit 7:6= **SCP[1:0]** First SCI Prescaler

These 2 prescaling bits allow several standard clock division ranges:

PR Prescaling factor	SCP1	SCP0
1	0	0
3	0	1
4	1	0
13	1	1

Bit 5:3 = **SCT[2:0]** SCI Transmitter rate divisor

These 3 bits, in conjunction with the SCP1 & SCP0 bits define the total division applied to the bus clock to yield the transmit rate clock in conventional Baud Rate Generator mode.

TR dividing factor	SCT2	SCT1	SCT0
1	0	0	0
2	0	0	1
4	0	1	0
8	0	1	1
16	1	0	0
32	1	0	1
64	1	1	0
128	1	1	1

**Note:** this TR factor is used only when the ETPR fine tuning factor is equal to 00h; otherwise, TR is replaced by the ETPR dividing factor.

Bit 2:0 = **SCR[2:0]** SCI Receiver rate divisor.

These 3 bits, in conjunction with the SCP1 & SCP0 bits define the total division applied to the bus clock to yield the receive rate clock in conventional Baud Rate Generator mode.

RR dividing factor	SCR2	SCR1	SCR0
1	0	0	0
2	0	0	1
4	0	1	0
8	0	1	1
16	1	0	0
32	1	0	1
64	1	1	0
128	1	1	1

**Note:** this RR factor is used only when the ERPR fine tuning factor is equal to 00h; otherwise, RR is replaced by the ERPR dividing factor.

**SERIAL COMMUNICATIONS INTERFACE (Cont'd)**

**EXTENDED RECEIVE PRESCALER DIVISION REGISTER (ERPR)**

Read/Write

Reset Value: 0000 0000 (00h)

Allows setting of the Extended Prescaler rate division factor for the receive circuit.

7							0
ERPR 7	ERPR 6	ERPR 5	ERPR 4	ERPR 3	ERPR 2	ERPR 1	ERPR 0

Bit 7:1 = **ERPR[7:0]** 8-bit Extended Receive Prescaler Register.

The extended Baud Rate Generator is activated when a value different from 00h is stored in this register. Therefore the clock frequency issued from the 16 divider (see Figure 3.) is divided by the binary factor set in the ERPR register (in the range 1 to 255).

The extended baud rate generator is not used after a reset.

**EXTENDED TRANSMIT PRESCALER DIVISION REGISTER (ETPR)**

Read/Write

Reset Value:0000 0000 (00h)

Allows setting of the External Prescaler rate division factor for the transmit circuit.

7							0
ETPR 7	ETPR 6	ETPR 5	ETPR 4	ETPR 3	ETPR 2	ETPR 1	ETPR 0

Bit 7:1 = **ETPR[7:0]** 8-bit Extended Transmit Prescaler Register.

The extended Baud Rate Generator is activated when a value different from 00h is stored in this register. Therefore the clock frequency issued from the 16 divider (see Figure 3.) is divided by the binary factor set in the ETPR register (in the range 1 to 255).

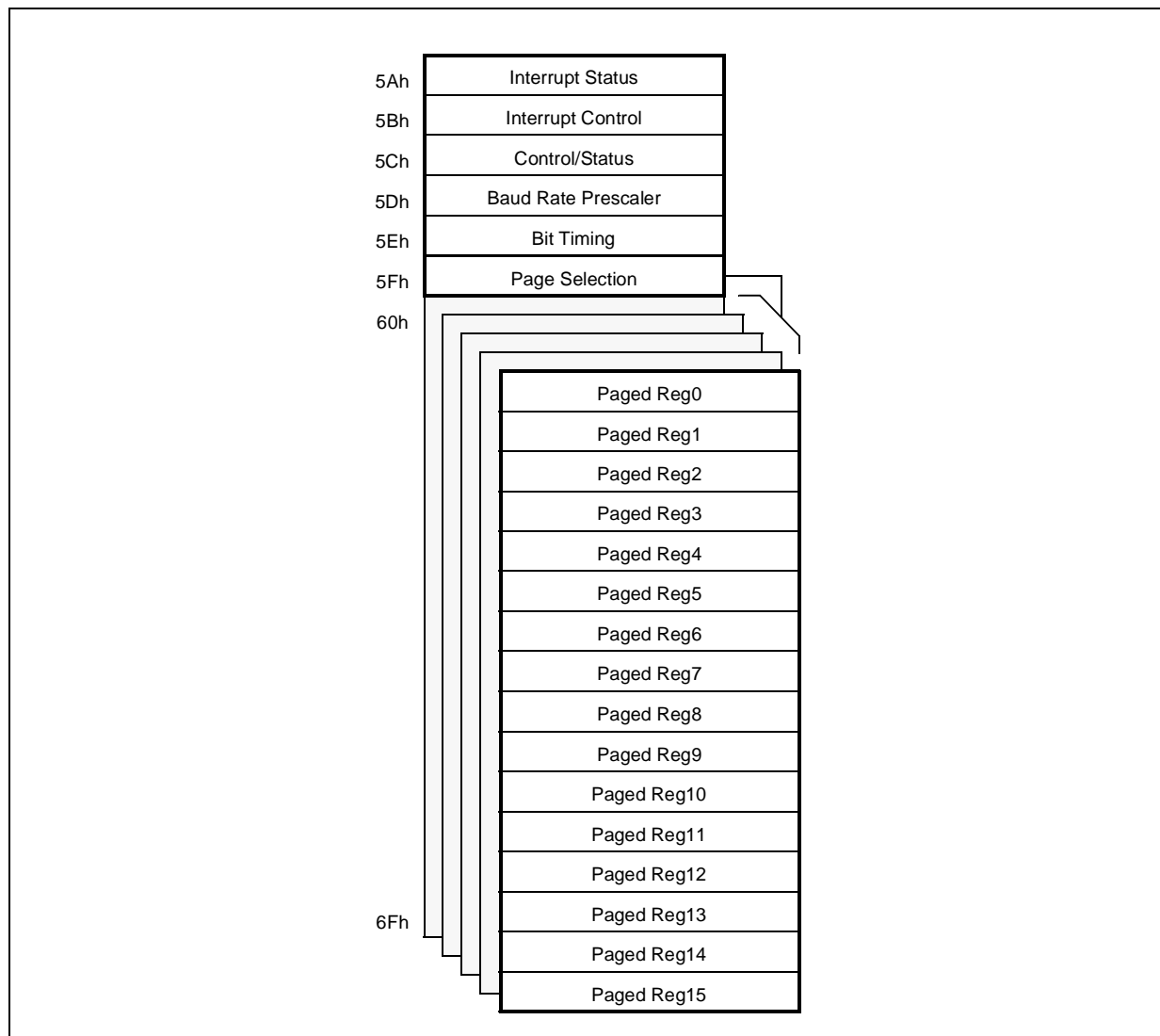
The extended baud rate generator is not used after a reset.

**Table 22. SCI Register Map and Reset Values**

Address (Hex.)	Register Label	7	6	5	4	3	2	1	0
0050h	<b>SCISR</b> Reset Value	TDRE 1	TC 1	RDRF 0	IDLE 0	OR 0	NF 0	FE 0	0
0051h	<b>SCIDR</b> Reset Value	MSB x	x	x	x	x	x	x	LSB x
0052h	<b>SCIBRR</b> Reset Value	SCP1 0	SCP0 0	SCT2 0	SCT1 0	SCT0 0	SCR2 0	SCR1 0	SCR0 0
0053h	<b>SCICR1</b> Reset Value	R8 x	T8 x	0	M x	WAKE x	0	0	0
0054h	<b>SCICR2</b> Reset Value	TIE 0	TCIE 0	RIE 0	ILIE 0	TE 0	RE 0	RWU 0	SBK 0
0055h	<b>SCIERPR</b> Reset Value	MSB 0	0	0	0	0	0	0	LSB 0
0057h	<b>SCIETPR</b> Reset Value	MSB 0	0	0	0	0	0	0	LSB 0

## CONTROLLER AREA NETWORK (Cont'd)

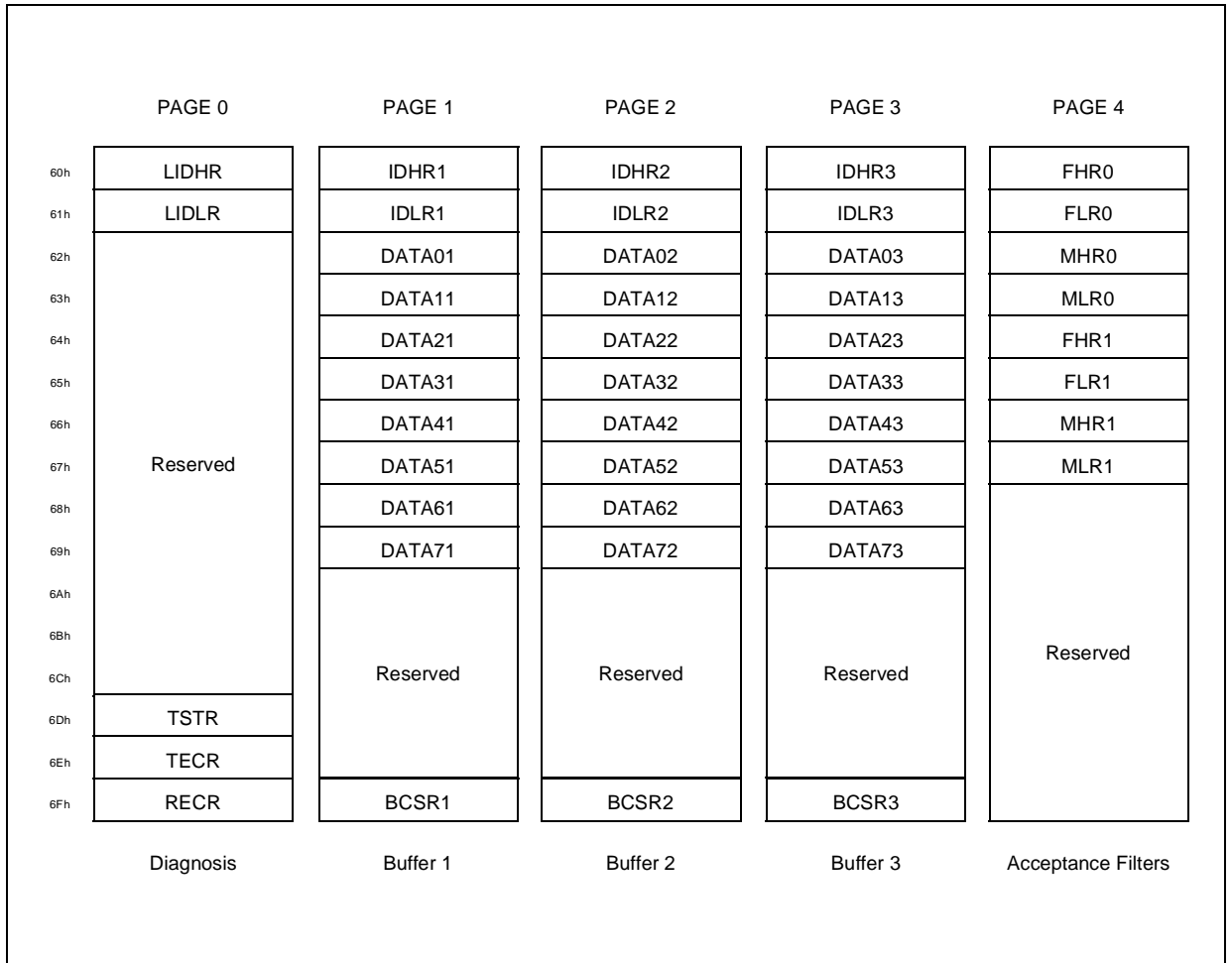
Figure 55. CAN Register Map





CONTROLLER AREA NETWORK (Cont'd)

Figure 56. Page Maps



CONTROLLER AREA NETWORK (Cont'd)

Table 23. CAN Register Map and Reset Values

Address (Hex.)	Page	Register Label	7	6	5	4	3	2	1	0
5A	X	<b>CANISR</b> Reset Value	RXIF3 0	RXIF2 0	RXIF1 0	TXIF 0	SCIF 0	ORIF 0	TEIF 0	EPND 0
5B		<b>CANICR</b> Reset Value	0	ESCI 0	RXIE 0	TXIE 0	SCIE 0	ORIE 0	TEIE 0	ETX 0
5C		<b>CANCSR</b> Reset Value	0	BOFF 0	EPSV 0	SRTE 0	NRTX 0	FSYN 0	WKPS 0	RUN 0
5D		<b>CANBRPR</b> Reset Value	RJW1 0	RJW0 0	BRP5 0	BRP4 0	BRP3 0	BRP2 0	BRP1 0	BRP0 0
5E		<b>CANBTR</b> Reset Value	0	BS22 0	BS21 1	BS20 0	BS13 0	BS12 0	BS11 1	BS10 1
5F		<b>CANPSR</b> Reset Value	0	0	0	0	0	PAGE2 0	PAGE1 0	PAGE0 0
60	0	<b>CANLIDHR</b> Reset Value	LID10 x	LID9 x	LID8 x	LID7 x	LID6 x	LID5 x	LID4 x	LID3 x
	1 to 3	<b>CANIDHRx</b> Reset Value	ID10 x	ID9 x	ID8 x	ID7 x	ID6 x	ID5 x	ID4 x	ID3 x
60, 64	4	<b>CANFHRx</b> Reset Value	FIL11 x	FIL10 x	FIL9 x	FIL8 x	FIL7 x	FIL6 x	FIL5 x	FIL4 x
61	0	<b>CANLIDLR</b> Reset Value	LID2 x	LID1 x	LID0 x	LRTR x	LDLC3 x	LDLC2 x	LDLC1 x	LDLC0 x
	1 to 3	<b>CANIDLRx</b> Reset Value	ID2 x	ID1 x	ID0 x	RTR x	DLC3 x	DLC2 x	DLC1 x	DLC0 x
61, 65	4	<b>CANFLRx</b> Reset Value	FIL3 x	FIL2 x	FIL1 x	FIL0 x	0	0	0	0
62 to 69	1 to 3	<b>CANDRx</b> Reset Value	MSB x	x	x	x	x	x	x	LSB x
62, 66	4	<b>CANMHRx</b> Reset Value	MSK11 x	MSK10 x	MSK9 x	MSK8 x	MSK7 x	MSK6 x	MSK5 x	MSK4 x
63, 67	4	<b>CANMLRx</b> Reset Value	MSK3 x	MSK2 x	MSK1 x	MSK0 x	0	0	0	0
6E	0	<b>CANTECR</b> Reset Value	MSB 0	0	0	0	0	0	0	LSB 0
6F		<b>CANRECR</b> Reset Value	MSB 0	0	0	0	0	0	0	LSB 0
	1 to 3	<b>CANBCSRx</b> Reset Value	0	0	0	0	ACC 0	RDY 0	BUSY 0	LOCK 0

## 10.7 8-BIT A/D CONVERTER (ADC)

### 10.7.1 Introduction

The on-chip Analog to Digital Converter (ADC) peripheral is a 8-bit, successive approximation converter with internal sample and hold circuitry. This peripheral has up to 16 multiplexed analog input channels (refer to device pin out description) that allow the peripheral to convert the analog voltage levels from up to 16 different sources.

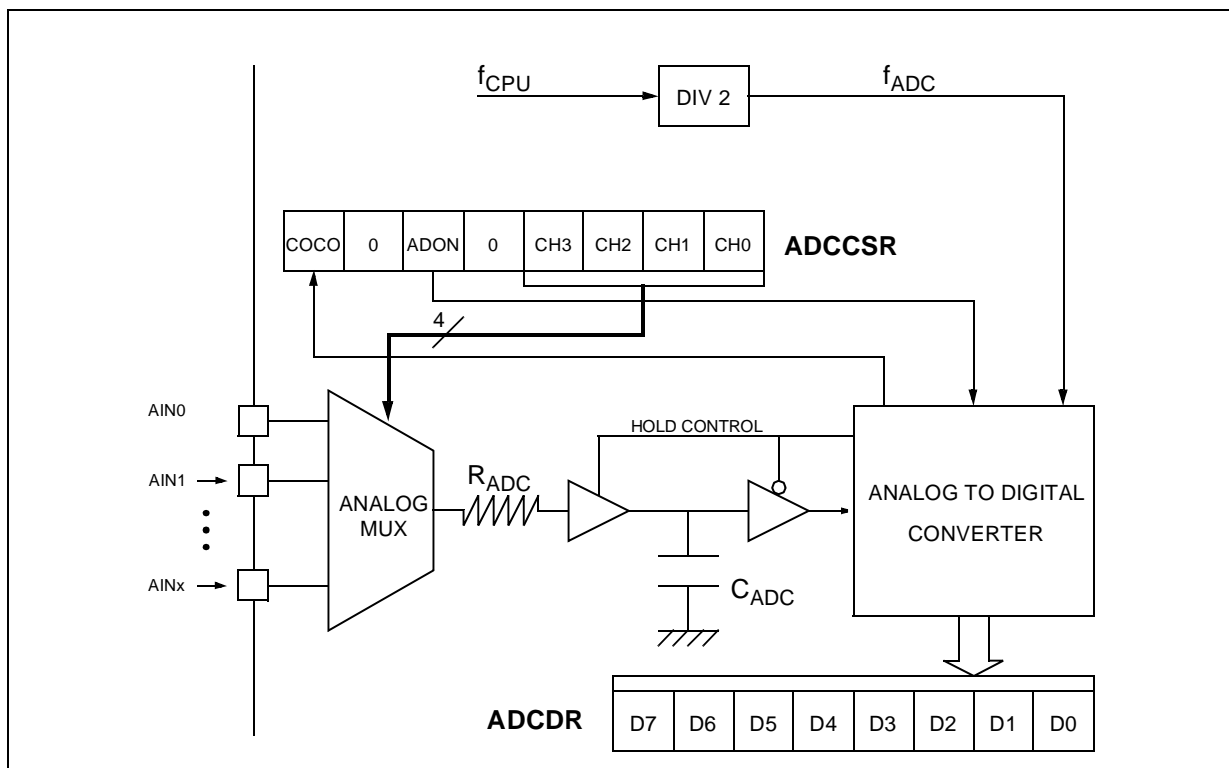
The result of the conversion is stored in a 8-bit Data Register. The A/D converter is controlled through a Control/Status Register.

### 10.7.2 Main Features

- 8-bit conversion
- Up to 16 channels with multiplexed input
- Linear successive approximation
- Data register (DR) which contains the results
- Conversion complete status flag
- On/off bit (to reduce consumption)

The block diagram is shown in [Figure 57](#).

**Figure 57. ADC Block Diagram**



### 10.7.3 Functional Description

#### 10.7.3.1 Analog Power Supply

$V_{DDA}$  and  $V_{SSA}$  are the high and low level reference voltage pins. In some devices (refer to device pin out description) they are internally connected to the  $V_{DD}$  and  $V_{SS}$  pins.

Conversion accuracy may therefore be impacted by voltage drops and noise in the event of heavily loaded or badly decoupled power supply lines.

See electrical characteristics section for more details.

## 8-BIT A/D CONVERTER (ADC) (Cont'd)

### 10.7.3.2 Digital A/D Conversion Result

The conversion is monotonic, meaning that the result never decreases if the analog input does not and never increases if the analog input does not.

If the input voltage ( $V_{AIN}$ ) is greater than or equal to  $V_{DDA}$  (high-level voltage reference) then the conversion result in the DR register is FFh (full scale) without overflow indication.

If input voltage ( $V_{AIN}$ ) is lower than or equal to  $V_{SSA}$  (low-level voltage reference) then the conversion result in the DR register is 00h.

The A/D converter is linear and the digital result of the conversion is stored in the ADCDR register. The accuracy of the conversion is described in the parametric section.

$R_{AIN}$  is the maximum recommended impedance for an analog input signal. If the impedance is too high, this will result in a loss of accuracy due to leakage and sampling not being completed in the allotted time.

### 10.7.3.3 A/D Conversion Phases

The A/D conversion is based on two conversion phases as shown in Figure 58:

- Sample capacitor loading [duration:  $t_{LOAD}$ ]  
During this phase, the  $V_{AIN}$  input voltage to be measured is loaded into the  $C_{ADC}$  sample capacitor.
- A/D conversion [duration:  $t_{CONV}$ ]  
During this phase, the A/D conversion is computed (8 successive approximations cycles) and the  $C_{ADC}$  sample capacitor is disconnected from the analog input pin to get the optimum analog to digital conversion accuracy.

While the ADC is on, these two phases are continuously repeated.

At the end of each conversion, the sample capacitor is kept loaded with the previous measurement load. The advantage of this behaviour is that it minimizes the current consumption on the analog pin in case of single input channel measurement.

### 10.7.3.4 Software Procedure

Refer to the control/status register (CSR) and data register (DR) in Section 10.7.6 for the bit definitions and to Figure 58 for the timings.

### ADC Configuration

The total duration of the A/D conversion is 12 ADC clock periods ( $1/f_{ADC}=2/f_{CPU}$ ).

The analog input ports must be configured as input, no pull-up, no interrupt. Refer to the «I/O ports» chapter. Using these pins as analog inputs does not affect the ability of the port to be read as a logic input.

In the CSR register:

- Select the CH[3:0] bits to assign the analog channel to be converted.

### ADC Conversion

In the CSR register:

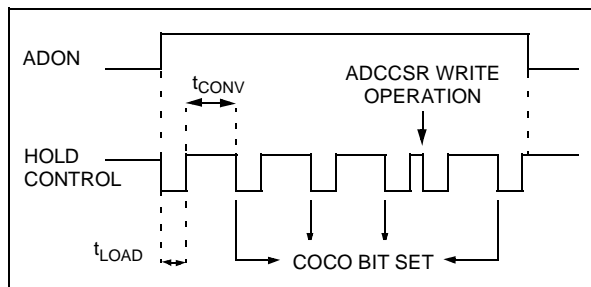
- Set the ADON bit to enable the A/D converter and to start the first conversion. From this time on, the ADC performs a continuous conversion of the selected channel.

When a conversion is complete

- The COCO bit is set by hardware.
- No interrupt is generated.
- The result is in the DR register and remains valid until the next conversion has ended.

A write to the CSR register (with ADON set) aborts the current conversion, resets the COCO bit and starts a new conversion.

Figure 58. ADC Conversion Timings



### 10.7.4 Low Power Modes

Mode	Description
WAIT	No effect on A/D Converter
HALT	A/D Converter disabled. After wakeup from Halt mode, the A/D Converter requires a stabilisation time before accurate conversions can be performed.

**Note:** The A/D converter may be disabled by resetting the ADON bit. This feature allows reduced power consumption when no conversion is needed and between single shot conversions.

### 10.7.5 Interrupts

None

**8-BIT A/D CONVERTER (ADC)** (Cont'd)**10.7.6 Register Description****CONTROL/STATUS REGISTER (CSR)**

Read/Write

Reset Value: 0000 0000 (00h)

7							0
COCO	0	ADON	0	CH3	CH2	CH1	CH0

Bit 7 = **COCO** *Conversion Complete*

This bit is set by hardware. It is cleared by software reading the result in the DR register or writing to the CSR register.

0: Conversion is not complete

1: Conversion can be read from the DR register

Bit 6 = **Reserved**. *must always be cleared.*Bit 5 = **ADON** *A/D Converter On*

This bit is set and cleared by software.

0: A/D converter is switched off

1: A/D converter is switched on

Bit 4 = **Reserved**. *must always be cleared.*Bits 3:0 = **CH[3:0]** *Channel Selection*

These bits are set and cleared by software. They select the analog input to convert.

Channel Pin*	CH3	CH2	CH1	CH0
AIN0	0	0	0	0
AIN1	0	0	0	1
AIN2	0	0	1	0
AIN3	0	0	1	1
AIN4	0	1	0	0
AIN5	0	1	0	1
AIN6	0	1	1	0
AIN7	0	1	1	1
AIN8	1	0	0	0
AIN9	1	0	0	1
AIN10	1	0	1	0
AIN11	1	0	1	1
AIN12	1	1	0	0
AIN13	1	1	0	1
AIN14	1	1	1	0
AIN15	1	1	1	1

**\*Note:** The number of pins AND the channel selection varies according to the device. Refer to the device pinout.

**DATA REGISTER (DR)**

Read Only

Reset Value: 0000 0000 (00h)

7							0
D7	D6	D5	D4	D3	D2	D1	D0

Bits 7:0 = **D[7:0]** *Analog Converted Value*

This register contains the converted analog value in the range 00h to FFh.

**Note:** Reading this register reset the COCO flag.

## 8-BIT A/D CONVERTOR (ADC) (Cont'd)

Table 24. ADC Register Map and Reset Values

Address (Hex.)	Register Label	7	6	5	4	3	2	1	0
0070h	<b>ADCDR</b> Reset Value	D7 0	D6 0	D5 0	D4 0	D3 0	D2 0	D1 0	D0 0
0071h	<b>ADCCSR</b> <b>Standard</b> Reset Value	COCO	0	ADON	0	0	CH2	CH1	CH0
		0		0			0	0	0

## 11 INSTRUCTION SET

### 11.1 CPU ADDRESSING MODES

The CPU features 17 different addressing modes which can be classified in 7 main groups:

Addressing Mode	Example
Inherent	nop
Immediate	ld A,#\$55
Direct	ld A,\$55
Indexed	ld A,(\$55,X)
Indirect	ld A,([\$55],X)
Relative	jrne loop
Bit operation	bset byte,#5

The CPU Instruction set is designed to minimize the number of bytes required per instruction: To do

so, most of the addressing modes may be subdivided in two sub-modes called long and short:

- Long addressing mode is more powerful because it can use the full 64 Kbyte address space, however it uses more bytes and more CPU cycles.
- Short addressing mode is less powerful because it can generally only access page zero (0000h - 00FFh range), but the instruction size is more compact, and faster. All memory to memory instructions use short addressing modes only (CLR, CPL, NEG, BSET, BRES, BTJT, BTJF, INC, DEC, RLC, RRC, SLL, SRL, SRA, SWAP)

The ST7 Assembler optimizes the use of long and short addressing modes.

**Table 25. CPU Addressing Mode Overview**

Mode		Syntax	Destination	Pointer Address (Hex.)	Pointer Size (Hex.)	Length (Bytes)	
Inherent		nop				+ 0	
Immediate		ld A,#\$55				+ 1	
Short	Direct	ld A,\$10	00..FF			+ 1	
Long	Direct	ld A,\$1000	0000..FFFF			+ 2	
No Offset	Direct	Indexed	ld A,(X)	00..FF		+ 0	
Short	Direct	Indexed	ld A,(\$10,X)	00..1FE		+ 1	
Long	Direct	Indexed	ld A,(\$1000,X)	0000..FFFF		+ 2	
Short	Indirect		ld A,[\$10]	00..FF	00..FF	byte	+ 2
Long	Indirect		ld A,[\$10.w]	0000..FFFF	00..FF	word	+ 2
Short	Indirect	Indexed	ld A,([\$10],X)	00..1FE	00..FF	byte	+ 2
Long	Indirect	Indexed	ld A,([\$10.w],X)	0000..FFFF	00..FF	word	+ 2
Relative	Direct		jrne loop	PC+/-127		+ 1	
Relative	Indirect		jrne [\$10]	PC+/-127	00..FF	byte	+ 2
Bit	Direct		bset \$10,#7	00..FF		+ 1	
Bit	Indirect		bset [\$10],#7	00..FF	00..FF	byte	+ 2
Bit	Direct	Relative	btjt \$10,#7,skip	00..FF		+ 2	
Bit	Indirect	Relative	btjt [\$10],#7,skip	00..FF	00..FF	byte	+ 3

**INSTRUCTION SET OVERVIEW (Cont'd)****11.1.1 Inherent**

All Inherent instructions consist of a single byte. The opcode fully specifies all the required information for the CPU to process the operation.

Inherent Instruction	Function
NOP	No operation
TRAP	S/W Interrupt
WFI	Wait For Interrupt (Low Power Mode)
HALT	Halt Oscillator (Lowest Power Mode)
RET	Sub-routine Return
IRET	Interrupt Sub-routine Return
SIM	Set Interrupt Mask (level 3)
RIM	Reset Interrupt Mask (level 0)
SCF	Set Carry Flag
RCF	Reset Carry Flag
RSP	Reset Stack Pointer
LD	Load
CLR	Clear
PUSH/POP	Push/Pop to/from the stack
INC/DEC	Increment/Decrement
TNZ	Test Negative or Zero
CPL, NEG	1 or 2 Complement
MUL	Byte Multiplication
SLL, SRL, SRA, RLC, RRC	Shift and Rotate Operations
SWAP	Swap Nibbles

**11.1.2 Immediate**

Immediate instructions have two bytes, the first byte contains the opcode, the second byte contains the operand value.

Immediate Instruction	Function
LD	Load
CP	Compare
BCP	Bit Compare
AND, OR, XOR	Logical Operations
ADC, ADD, SUB, SBC	Arithmetic Operations

**11.1.3 Direct**

In Direct instructions, the operands are referenced by their memory address.

The direct addressing mode consists of two sub-modes:

**Direct (short)**

The address is a byte, thus requires only one byte after the opcode, but only allows 00 - FF addressing space.

**Direct (long)**

The address is a word, thus allowing 64 Kbyte addressing space, but requires 2 bytes after the opcode.

**11.1.4 Indexed (No Offset, Short, Long)**

In this mode, the operand is referenced by its memory address, which is defined by the unsigned addition of an index register (X or Y) with an offset.

The indirect addressing mode consists of three sub-modes:

**Indexed (No Offset)**

There is no offset, (no extra byte after the opcode), and allows 00 - FF addressing space.

**Indexed (Short)**

The offset is a byte, thus requires only one byte after the opcode and allows 00 - 1FE addressing space.

**Indexed (long)**

The offset is a word, thus allowing 64 Kbyte addressing space and requires 2 bytes after the opcode.

**11.1.5 Indirect (Short, Long)**

The required data byte to do the operation is found by its memory address, located in memory (pointer).

The pointer address follows the opcode. The indirect addressing mode consists of two sub-modes:

**Indirect (short)**

The pointer address is a byte, the pointer size is a byte, thus allowing 00 - FF addressing space, and requires 1 byte after the opcode.

**Indirect (long)**

The pointer address is a byte, the pointer size is a word, thus allowing 64 Kbyte addressing space, and requires 1 byte after the opcode.



**INSTRUCTION SET OVERVIEW (Cont'd)****11.1.6 Indirect Indexed (Short, Long)**

This is a combination of indirect and short indexed addressing modes. The operand is referenced by its memory address, which is defined by the unsigned addition of an index register value (X or Y) with a pointer value located in memory. The pointer address follows the opcode.

The indirect indexed addressing mode consists of two sub-modes:

**Indirect Indexed (Short)**

The pointer address is a byte, the pointer size is a byte, thus allowing 00 - 1FE addressing space, and requires 1 byte after the opcode.

**Indirect Indexed (Long)**

The pointer address is a byte, the pointer size is a word, thus allowing 64 Kbyte addressing space, and requires 1 byte after the opcode.

**Table 26. Instructions Supporting Direct, Indexed, Indirect and Indirect Indexed Addressing Modes**

Long and Short Instructions	Function
LD	Load
CP	Compare
AND, OR, XOR	Logical Operations
ADC, ADD, SUB, SBC	Arithmetic Additions/Subtractions operations
BCP	Bit Compare

Short Instructions Only	Function
CLR	Clear
INC, DEC	Increment/Decrement
TNZ	Test Negative or Zero
CPL, NEG	1 or 2 Complement
BSET, BRES	Bit Operations
BTJT, BTJF	Bit Test and Jump Operations
SLL, SRL, SRA, RLC, RRC	Shift and Rotate Operations
SWAP	Swap Nibbles
CALL, JP	Call or Jump subroutine

**11.1.7 Relative mode (Direct, Indirect)**

This addressing mode is used to modify the PC register value, by adding an 8-bit signed offset to it.

Available Relative Direct/Indirect Instructions	Function
JRxx	Conditional Jump
CALLR	Call Relative

The relative addressing mode consists of two sub-modes:

**Relative (Direct)**

The offset is following the opcode.

**Relative (Indirect)**

The offset is defined in memory, which address follows the opcode.

**INSTRUCTION SET OVERVIEW (Cont'd)**

**11.2 INSTRUCTION GROUPS**

The ST7 family devices use an Instruction Set consisting of 63 instructions. The instructions may

be subdivided into 13 main groups as illustrated in the following table:

Load and Transfer	LD	CLR						
Stack operation	PUSH	POP	RSP					
Increment/Decrement	INC	DEC						
Compare and Tests	CP	TNZ	BCP					
Logical operations	AND	OR	XOR	CPL	NEG			
Bit Operation	BSET	BRES						
Conditional Bit Test and Branch	BTJT	BTJF						
Arithmetic operations	ADC	ADD	SUB	SBC	MUL			
Shift and Rotates	SLL	SRL	SRA	RLC	RRC	SWAP	SLA	
Unconditional Jump or Call	JRA	JRT	JRF	JP	CALL	CALLR	NOP	RET
Conditional Branch	JRxx							
Interrupt management	TRAP	WFI	HALT	IRET				
Condition Code Flag modification	SIM	RIM	SCF	RCF				

**Using a pre-byte**

The instructions are described with one to four opcodes.

In order to extend the number of available opcodes for an 8-bit CPU (256 opcodes), three different prebyte opcodes are defined. These prebytes modify the meaning of the instruction they precede.

The whole instruction becomes:

- PC-2            End of previous instruction
- PC-1           Prebyte
- PC              opcode
- PC+1           Additional word (0 to 2) according to the number of bytes required to compute the effective address

These prebytes enable instruction in Y as well as indirect addressing modes to be implemented. They precede the opcode of the instruction in X or the instruction using direct addressing mode. The prebytes are:

**PDY 90**        Replace an X based instruction using immediate, direct, indexed, or inherent addressing mode by a Y one.

**PIX 92**        Replace an instruction using direct, direct bit, or direct relative addressing mode to an instruction using the corresponding indirect addressing mode.

It also changes an instruction using X indexed addressing mode to an instruction using indirect X indexed addressing mode.

**PIY 91**        Replace an instruction using X indirect indexed addressing mode by a Y one.



## INSTRUCTION SET OVERVIEW (Cont'd)

Mnemo	Description	Function/Example	Dst	Src	I1	H	I0	N	Z	C
JRULE	Jump if (C + Z = 1)	Unsigned <=								
LD	Load	dst <= src	reg, M	M, reg				N	Z	
MUL	Multiply	X,A = X * A	A, X, Y	X, Y, A		0				0
NEG	Negate (2's compl)	neg \$10	reg, M					N	Z	C
NOP	No Operation									
OR	OR operation	A = A + M	A	M				N	Z	
POP	Pop from the Stack	pop reg	reg	M						
		pop CC	CC	M	I1	H	I0	N	Z	C
PUSH	Push onto the Stack	push Y	M	reg, CC						
RCF	Reset carry flag	C = 0								0
RET	Subroutine Return									
RIM	Enable Interrupts	I1:0 = 10 (level 0)			1		0			
RLC	Rotate left true C	C <= A <= C	reg, M					N	Z	C
RRC	Rotate right true C	C => A => C	reg, M					N	Z	C
RSP	Reset Stack Pointer	S = Max allowed								
SBC	Substract with Carry	A = A - M - C	A	M				N	Z	C
SCF	Set carry flag	C = 1								1
SIM	Disable Interrupts	I1:0 = 11 (level 3)			1		1			
SLA	Shift left Arithmetic	C <= A <= 0	reg, M					N	Z	C
SLL	Shift left Logic	C <= A <= 0	reg, M					N	Z	C
SRL	Shift right Logic	0 => A => C	reg, M					0	Z	C
SRA	Shift right Arithmetic	A7 => A => C	reg, M					N	Z	C
SUB	Substraction	A = A - M	A	M				N	Z	C
SWAP	SWAP nibbles	A7-A4 <=> A3-A0	reg, M					N	Z	
TNZ	Test for Neg & Zero	tnz  b1						N	Z	
TRAP	S/W trap	S/W interrupt			1		1			
WFI	Wait for Interrupt				1		0			
XOR	Exclusive OR	A = A XOR M	A	M				N	Z	

## 12 ELECTRICAL CHARACTERISTICS

### 12.1 PARAMETER CONDITIONS

Unless otherwise specified, all voltages are referred to  $V_{SS}$ .

#### 12.1.1 Minimum and Maximum values

Unless otherwise specified the minimum and maximum values are guaranteed in the worst conditions of ambient temperature, supply voltage and frequencies by tests in production on 100% of the devices with an ambient temperature at  $T_A=25^\circ\text{C}$  and  $T_A=T_{A\text{max}}$  (given by the selected temperature range).

Data based on characterization results, design simulation and/or technology characteristics are indicated in the table footnotes and are not tested in production. Based on characterization, the minimum and maximum values refer to sample tests and represent the mean value plus or minus three times the standard deviation ( $\text{mean} \pm 3\Sigma$ ).

#### 12.1.2 Typical values

Unless otherwise specified, typical data are based on  $T_A=25^\circ\text{C}$ ,  $V_{DD}=5\text{V}$  (for the  $4.5\text{V} \leq V_{DD} \leq 5.5\text{V}$  voltage range) and  $V_{DD}=3.3\text{V}$  (for the  $3\text{V} \leq V_{DD} \leq 4\text{V}$  voltage range). They are given only as design guidelines and are not tested.

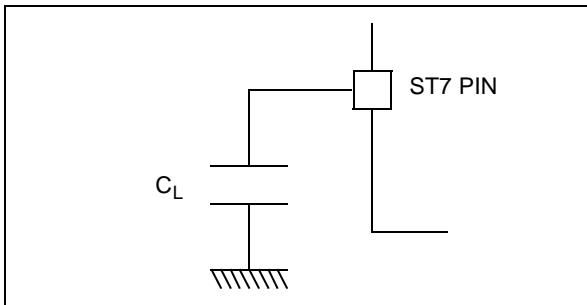
#### 12.1.3 Typical curves

Unless otherwise specified, all typical curves are given only as design guidelines and are not tested.

#### 12.1.4 Loading capacitor

The loading conditions used for pin parameter measurement are shown in [Figure 59](#).

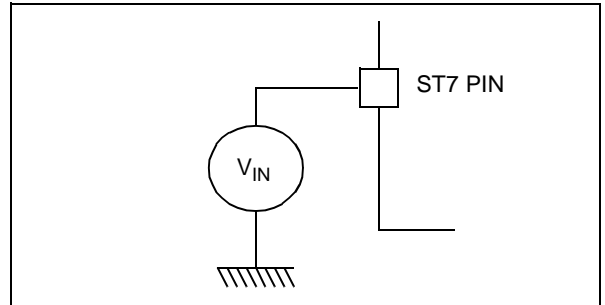
**Figure 59. Pin loading conditions**



#### 12.1.5 Pin input voltage

The input voltage measurement on a pin of the device is described in [Figure 60](#).

**Figure 60. Pin input voltage**



## 12.2 ABSOLUTE MAXIMUM RATINGS

Stresses above those listed as “absolute maximum ratings” may cause permanent damage to the device. This is a stress rating only and functional operation of the device under these conditions is not implied. Exposure to maximum rating conditions for extended periods may affect device reliability.

### 12.2.1 Voltage Characteristics

Symbol	Ratings	Maximum value	Unit
$V_{DD} - V_{SS}$	Supply voltage	6.5	V
$V_{DDA} - V_{SSA}$	Analog reference voltage ( $V_{DD} \geq V_{DDA}$ )	6.5	
$ \Delta V_{DDx} $ and $ \Delta V_{SSx} $	Variations between different digital power pins	50	mV
$V_{DDx} - V_{DDA}$ $ V_{SSA} - V_{SSx} $	Variations between digital and analog power pins	50	
$V_{IN}^{1) \& 2)}$	Input voltage on true open drain pin	$V_{SS}-0.3$ to 6.5	V
	Input voltage on any other pin	$V_{SS}-0.3$ to $V_{DD}+0.3$	
$V_{ESD}(HBM)$	Electro-static discharge voltage (Human Body Model)	see <a href="#">Section 12.7.2 "Absolute Electrical Sensitivity"</a> on page 127	
$V_{ESD}(MM)$	Electro-static discharge voltage (Machine Model)		

### 12.2.2 Current Characteristics

Symbol	Ratings	Maximum value	Unit
$I_{VDD}$	Total current into $V_{DD}$ power lines (source) <sup>3)</sup>	150	mA
$I_{VSS}$	Total current out of $V_{SS}$ ground lines (sink) <sup>3)</sup>	150	
$I_{IO}$	Output current sunk by any standard I/O and control pin	25	
	Output current sunk by any high sink I/O pin	50	
	Output current source by any I/Os and control pin	- 25	
$I_{INJ}(PIN)^{2) \& 4)}$	Injected current on $V_{PP}$ pin	$\pm 5$	
	Injected current on RESET pin	$\pm 5$	
	Injected current on OSC1 and OSC2 pins	$\pm 5$	
	Injected current on any other pin <sup>5) \&amp; 6)</sup>	$\pm 5$	
$\Sigma I_{INJ}(PIN)^{2)}$	Total injected current (sum of all I/O and control pins) <sup>5)</sup>	$\pm 20$	

### 12.2.3 Thermal Characteristics

Symbol	Ratings	Value	Unit
$T_{STG}$	Storage temperature range	-65 to +150	°C
$T_J$	Maximum junction temperature (see <a href="#">Section 13.2 "THERMAL CHARACTERISTICS"</a> on page 142)		

#### Notes:

- Directly connecting the  $\overline{RESET}$  and I/O pins to  $V_{DD}$  or  $V_{SS}$  could damage the device if an unintentional internal reset is generated or an unexpected change of the I/O configuration occurs (for example, due to a corrupted program counter). To guarantee safe operation, this connection has to be done through a pull-up or pull-down resistor (typical: 4.7k $\Omega$  for RESET, 10k $\Omega$  for I/Os). Unused I/O pins must be tied in the same way to  $V_{DD}$  or  $V_{SS}$  according to their reset configuration.
- When the current limitation is not possible, the  $V_{IN}$  absolute maximum rating must be respected, otherwise refer to  $I_{INJ}(PIN)$  specification. A positive injection is induced by  $V_{IN} > V_{DD}$  while a negative injection is induced by  $V_{IN} < V_{SS}$ .
- All power ( $V_{DD}$ ) and ground ( $V_{SS}$ ) lines must always be connected to the external supply.
- Negative injection disturbs the analog performance of the device. In particular, it induces leakage currents throughout the device including the analog inputs. To avoid undesirable effect on analog part, care must be taken:
  - Analog input pins must have a negative injection less than 0.8 mA (assuming that the impedance of the analog voltage is lower than the specified limits)
  - Pure digital pins must have a negative injection less than 1.6mA. In addition, it is recommended to inject the current as far as possible from the analog input pins.
- When several inputs are submitted to a current injection, the maximum  $\Sigma I_{INJ}(PIN)$  is the absolute sum of the positive and negative injected currents (instantaneous values). These results are based on characterisation with  $\Sigma I_{INJ}(PIN)$  maximum current injection on four I/O port pins of the device.
- True open drain I/O port pins do not accept positive injection.

12.3 OPERATING CONDITIONS

12.3.1 General Operating Conditions

Symbol	Parameter	Conditions	Min	Max	Unit
V <sub>DD</sub>	Supply voltage	see Figure 61 and Figure 62	3.0	5.5	V
f <sub>OSC</sub>	External clock frequency	V <sub>DD</sub> ≥ 3.5V (without EEPROM) V <sub>DD</sub> ≥ 4.5V (with EEPROM)	0 <sup>1)</sup>	16	MHz
		V <sub>DD</sub> ≥ 3.0V	0 <sup>1)</sup>	8	
T <sub>A</sub>	Ambient temperature range	1 Suffix Version	0	70	°C
		6 Suffix Version	-40	85	
		7 Suffix Version	-40	105	
		3 Suffix Version	-40	125	

Figure 61. f<sub>OSC</sub> Maximum Operating Frequency Versus V<sub>DD</sub> Supply for devices without EEPROM<sup>2)</sup>

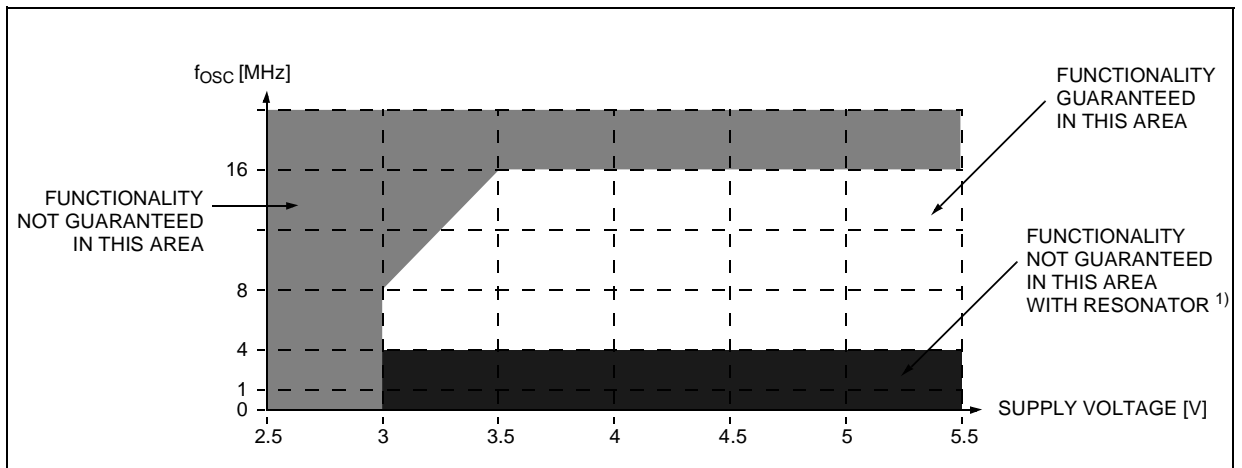
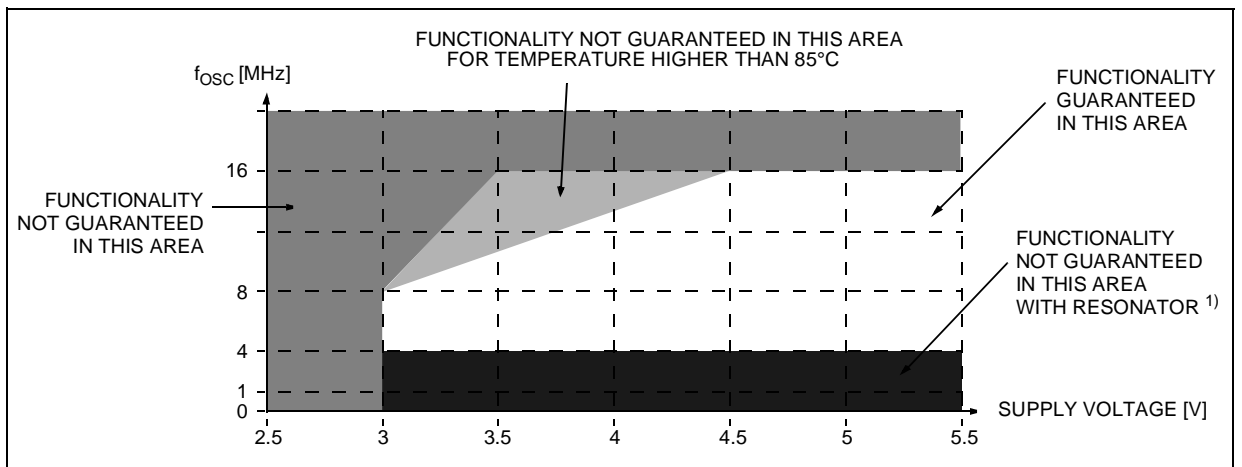


Figure 62. f<sub>OSC</sub> Maximum Operating Frequency Versus V<sub>DD</sub> Supply for device with EEPROM<sup>2)</sup>



Notes:

1. Guaranteed by construction. A/D operation is not guaranteed below 1MHz.
2. Operating conditions with T<sub>A</sub>=-40 to +125°C.

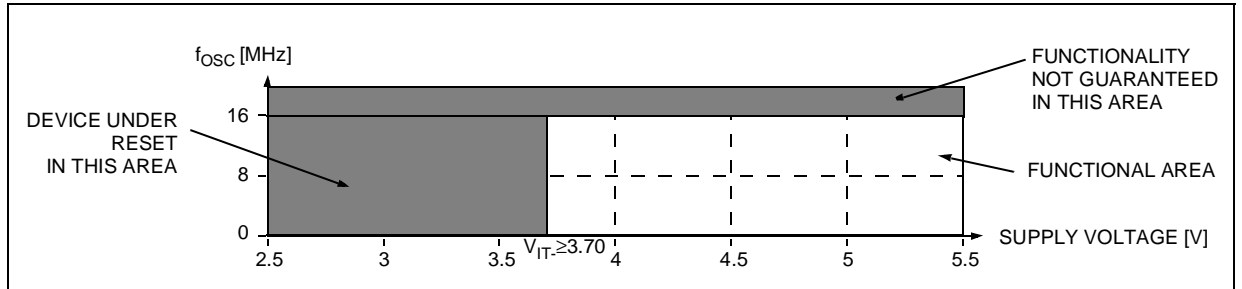
**OPERATING CONDITIONS** (Cont'd)

**12.3.2 Operating Conditions with Low Voltage Detector (LVD)**

Subject to general operating condition for  $V_{DD}$ ,  $f_{OSC}$ , and  $T_A$ .

Symbol	Parameter	Conditions	Min	Typ <sup>1)</sup>	Max	Unit
$V_{IT+}$	Reset release threshold ( $V_{DD}$ rise)		3.95	4.15	4.35	V
$V_{IT-}$	Reset generation threshold ( $V_{DD}$ fall)		3.70	3.90	4.10	
$V_{hyst}$	LVD voltage threshold hysteresis	$V_{IT+}-V_{IT-}$		250		mV
$V_{tPOR}$	$V_{DD}$ rise time rate <sup>2)</sup>		0.02			V/ms
$t_{g(VDD)}$	Filtered glitch delay on $V_{DD}$	Not detected by the LVD			40	ns

**Figure 63. LVD Threshold Versus  $V_{DD}$  and  $f_{OSC}$  for ROM devices<sup>2)</sup>**



**Notes:**

1. LVD typical data are based on  $T_A=25^\circ\text{C}$ . They are given only as design guidelines and are not tested.
2. The minimum  $V_{DD}$  rise time rate is needed to insure a correct device power-on and LVD reset. Not tested in production.



## 12.4 SUPPLY CURRENT CHARACTERISTICS

The following current consumption specified for the ST7 functional operating modes over temperature range does not take into account the clock source current consumption. To get the total de-

vice consumption, the two current values must be added (except for HALT mode for which the clock is stopped).

Symbol	Parameter	Conditions	Max	Unit
$\Delta I_{DD}(\Delta T_a)$	Supply current variation vs. temperature	Constant $V_{DD}$ and $f_{CPU}$	10	%

### 12.4.1 RUN and SLOW Modes

Symbol	Parameter	Conditions	Typ <sup>1)</sup>	Max <sup>2)</sup>	Unit	
$I_{DD}$	Supply current in RUN mode <sup>3)</sup> (see Figure 64)	$4.5V \leq V_{DD} \leq 5.5V$	$f_{OSC}=1MHz, f_{CPU}=500kHz$	2.5	4	mA
	$f_{OSC}=4MHz, f_{CPU}=2MHz$		6.5	9		
	$f_{OSC}=16MHz, f_{CPU}=8MHz$	14.5	20			
	Supply current in SLOW mode <sup>4)</sup> (see Figure 65)	$4.5V \leq V_{DD} \leq 5.5V$	$f_{OSC}=1MHz, f_{CPU}=31.25kHz$	0.3	0.5	
$f_{OSC}=4MHz, f_{CPU}=125kHz$	0.8		2.0			
$f_{OSC}=16MHz, f_{CPU}=500kHz$	1.8	3.0				
$I_{DD}$	Supply current in RUN mode <sup>3)</sup> (see Figure 64)	$3V \leq V_{DD} \leq 3.6V$	$f_{OSC}=1MHz, f_{CPU}=500kHz$	1.6	2.4	mA
	$f_{OSC}=4MHz, f_{CPU}=2MHz$		3.6	5.4		
	$f_{OSC}=16MHz, f_{CPU}=8MHz$	8	12			
	Supply current in SLOW mode <sup>4)</sup> (see Figure 65)	$3V \leq V_{DD} \leq 3.6V$	$f_{OSC}=1MHz, f_{CPU}=31.25kHz$	0.15	0.3	
$f_{OSC}=4MHz, f_{CPU}=125kHz$	0.45		0.9			
$f_{OSC}=16MHz, f_{CPU}=500kHz$	1	1.5				

Figure 64. Typical  $I_{DD}$  in RUN vs.  $f_{CPU}$

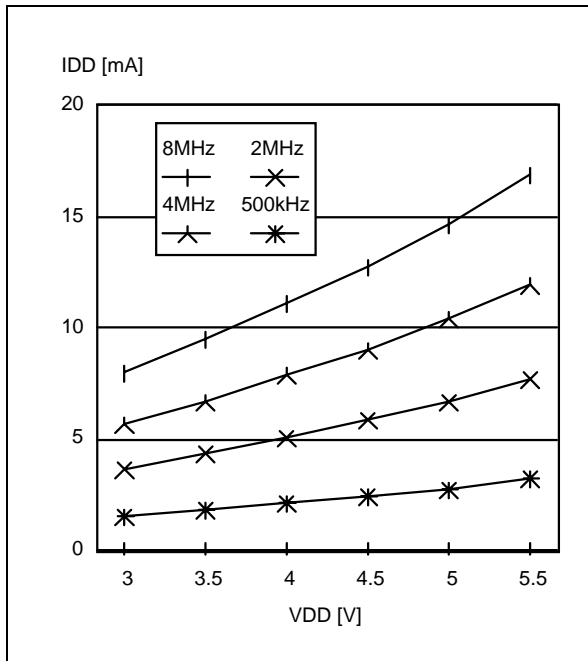
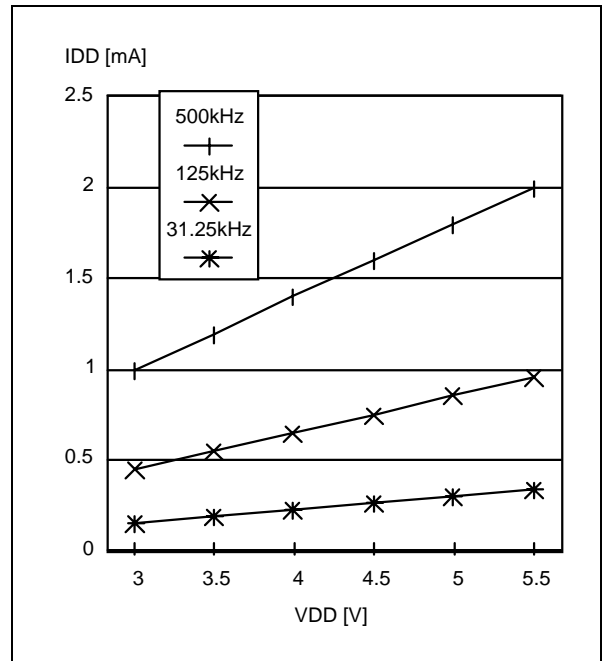


Figure 65. Typical  $I_{DD}$  in SLOW vs.  $f_{CPU}$



#### Notes:

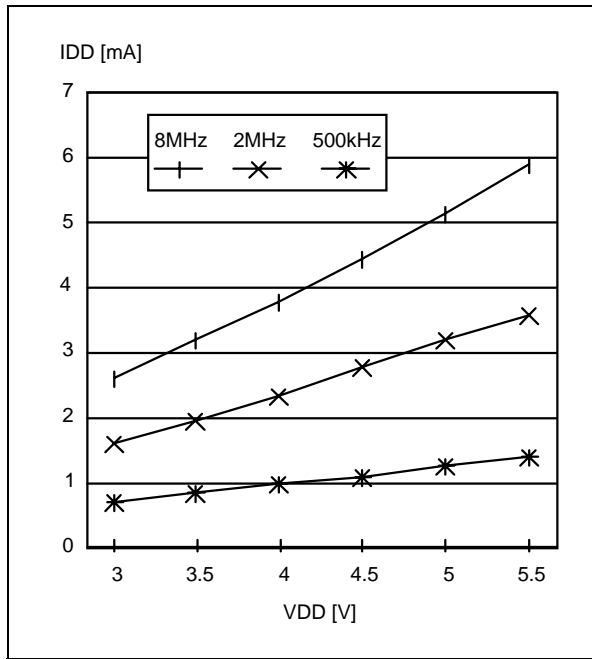
1. Typical data are based on  $T_A=25^\circ C$ ,  $V_{DD}=5V$  ( $4.5V \leq V_{DD} \leq 5.5V$  range) and  $V_{DD}=3.3V$  ( $3V \leq V_{DD} \leq 3.6V$  range).
2. Data based on characterization results, tested in production at  $V_{DD}$  max. and  $f_{CPU}$  max.
3. CPU running with memory access, all I/O pins in input mode with a static value at  $V_{DD}$  or  $V_{SS}$  (no load), all peripherals switched off; clock input (OSC1) driven by external square wave, LVD disabled.
4. SLOW mode selected with  $f_{CPU}$  based on  $f_{OSC}$  divided by 32. All I/O pins in input mode with a static value at  $V_{DD}$  or  $V_{SS}$  (no load), all peripherals switched off; clock input (OSC1) driven by external square wave, LVD disabled.

**SUPPLY CURRENT CHARACTERISTICS (Cont'd)**

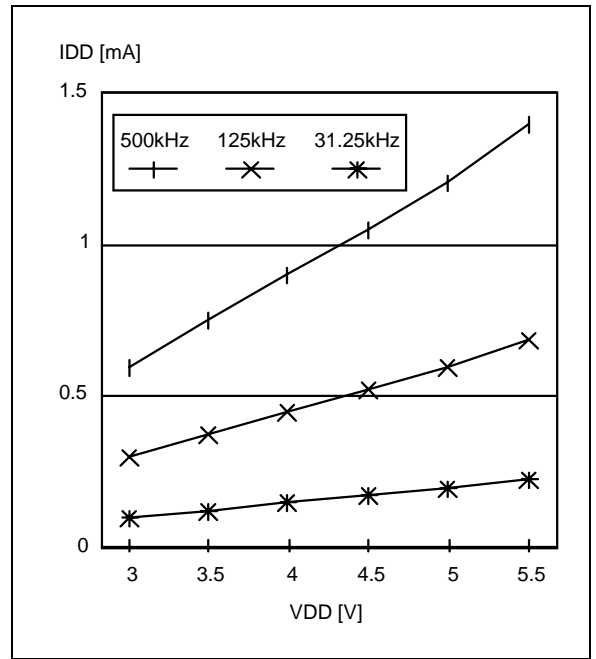
**12.4.2 WAIT and SLOW WAIT Modes**

Symbol	Parameter	Conditions	Typ <sup>1)</sup>	Max <sup>2)</sup>	Unit	
I <sub>DD</sub>	Supply current in WAIT mode <sup>3)</sup> (see Figure 66)	4.5V ≤ V <sub>DD</sub> ≤ 5.5V	f <sub>OSC</sub> =1MHz, f <sub>CPU</sub> =500kHz	1.25	2	mA
			f <sub>OSC</sub> =4MHz, f <sub>CPU</sub> =2MHz	3.2	5	
	f <sub>OSC</sub> =16MHz, f <sub>CPU</sub> =8MHz	5.2	9			
	Supply current in SLOW WAIT mode <sup>4)</sup> (see Figure 67)	4.5V ≤ V <sub>DD</sub> ≤ 5.5V	f <sub>OSC</sub> =1MHz, f <sub>CPU</sub> =31.25kHz	0.2	0.35	
f <sub>OSC</sub> =4MHz, f <sub>CPU</sub> =125kHz			0.6	1		
Supply current in WAIT mode <sup>3)</sup> (see Figure 66)	3V ≤ V <sub>DD</sub> ≤ 3.6V	f <sub>OSC</sub> =1MHz, f <sub>CPU</sub> =500kHz	0.7	1		
		f <sub>OSC</sub> =4MHz, f <sub>CPU</sub> =2MHz	1.6	2.6		
Supply current in SLOW WAIT mode <sup>4)</sup> (see Figure 67)	3V ≤ V <sub>DD</sub> ≤ 3.6V	f <sub>OSC</sub> =16MHz, f <sub>CPU</sub> =8MHz	2.7	4.5		
		f <sub>OSC</sub> =1MHz, f <sub>CPU</sub> =31.25kHz	0.1	0.15		
		f <sub>OSC</sub> =4MHz, f <sub>CPU</sub> =125kHz	0.3	0.5		
		f <sub>OSC</sub> =16MHz, f <sub>CPU</sub> =500kHz	0.6	1		

**Figure 66. Typical I<sub>DD</sub> in WAIT vs. f<sub>CPU</sub>**



**Figure 67. Typical I<sub>DD</sub> in SLOW-WAIT vs. f<sub>CPU</sub>**



**Notes:**

1. Typical data are based on T<sub>A</sub>=25°C, V<sub>DD</sub>=5V (4.5V ≤ V<sub>DD</sub> ≤ 5.5V range) and V<sub>DD</sub>=3.3V (3V ≤ V<sub>DD</sub> ≤ 3.6V range).
2. Data based on characterization results, tested in production at V<sub>DD</sub> max. and f<sub>CPU</sub> max.
3. All I/O pins in input mode with a static value at V<sub>DD</sub> or V<sub>SS</sub> (no load), all peripherals switched off; clock input (OSC1) driven by external square wave, LVD disabled.
4. SLOW-WAIT mode selected with f<sub>CPU</sub> based on f<sub>OSC</sub> divided by 32. All I/O pins in input mode with a static value at V<sub>DD</sub> or V<sub>SS</sub> (no load), all peripherals switched off; clock input (OSC1) driven by external square wave, LVD disabled.

**SUPPLY CURRENT CHARACTERISTICS (Cont'd)****12.4.3 HALT and ACTIVE-HALT Modes**

Symbol	Parameter	Conditions	Typ <sup>1)</sup>	Max	Unit	
I <sub>DD</sub>	Supply current in HALT mode <sup>2)</sup>	3.0V ≤ V <sub>DD</sub> V <sub>DD</sub> ≤ 5.5V	-40°C ≤ T <sub>A</sub> ≤ +105°C	0	10	μA
			40°C ≤ T <sub>A</sub> ≤ +125°C		50	
	Supply current in ACTIVE-HALT mode <sup>3)</sup>		50	150		

**12.4.4 Supply and Clock Managers**

The previous current consumption specified for the ST7 functional operating modes over temperature range does not take into account the clock

source current consumption. To get the total device consumption, the two current values must be added (except for HALT mode).

Symbol	Parameter	Conditions	Typ <sup>4)</sup>	Max <sup>5)</sup>	Unit
I <sub>DD(CK)</sub>	Supply current of resonator oscillator <sup>6) &amp; 7)</sup>		600	850	μA
I <sub>DD(LVD)</sub>	LVD supply current	HALT mode	100	150	

**12.4.5 On-Chip Peripheral**

Symbol	Parameter	Conditions	Typ	Unit	
I <sub>DD(TIM)</sub>	16-bit Timer supply current <sup>8)</sup>	f <sub>CPU</sub> =8MHz	V <sub>DD</sub> =3.3V	50	μA
			V <sub>DD</sub> =5.0V	150	
I <sub>DD(SPI)</sub>	SPI supply current <sup>9)</sup>	f <sub>CPU</sub> =8MHz	V <sub>DD</sub> =3.3V	250	
			V <sub>DD</sub> =5.0V	350	
I <sub>DD(ADC)</sub>	ADC supply current when converting <sup>10)</sup>	f <sub>ADC</sub> =4MHz	V <sub>DD</sub> =3.3V	800	
			V <sub>DD</sub> =5.0V	1100	

**Notes:**

- Typical data are based on T<sub>A</sub>=25°C.
- All I/O pins in input mode with a static value at V<sub>DD</sub> or V<sub>SS</sub> (no load), LVD disabled.
- Data based on design simulation and/or technology characteristics, not tested in production. All I/O pins in input mode with a static value at V<sub>DD</sub> or V<sub>SS</sub> (no load); clock input (OSC1) driven by external square wave, LVD disabled.
- Typical data are based on T<sub>A</sub>=25°C, V<sub>DD</sub>=5V.
- Data based on characterization results, not tested in production.
- Data based on characterization results done with the typical external components, not tested in production.
- As the oscillator is based on a current source, the consumption does not depend on the voltage.
- Data based on a differential I<sub>DD</sub> measurement between reset configuration (timer counter running at f<sub>CPU</sub>/4) and timer counter stopped (selecting external clock capability). Data valid for one timer.
- Data based on a differential I<sub>DD</sub> measurement between reset configuration and a permanent SPI master communication (data sent equal to 55h).
- Data based on a differential I<sub>DD</sub> measurement between reset configuration and continuous A/D conversions.

### 12.5 CLOCK AND TIMING CHARACTERISTICS

Subject to general operating condition for  $V_{DD}$ ,  $f_{OSC}$ , and  $T_A$ .

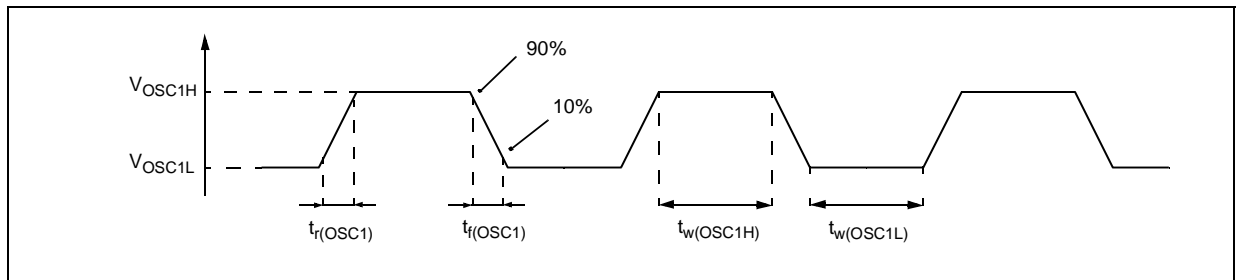
#### 12.5.1 General Timings

Symbol	Parameter	Conditions	Min	Typ <sup>1)</sup>	Max	Unit
$t_{c(INST)}$	Instruction cycle time		2	4	12	$t_{CPU}$
		$f_{CPU}=8MHz$	250	500	1500	ns
$t_{v(IT)}$	Interrupt reaction time <sup>2)</sup> $t_{v(IT)} = \Delta t_{c(INST)} + 10$		10		22	$t_{CPU}$
		$f_{CPU}=8MHz$	1.25		2.75	$\mu s$

#### 12.5.2 External Clock Source

Symbol	Parameter	Conditions	Min	Typ	Max	Unit
$V_{OSC1H}$	OSC1 input pin high level voltage	see Figure 68	$0.7 \times V_{DD}$		$V_{DD}$	V
$V_{OSC1L}$	OSC1 input pin low level voltage		$V_{SS}$		$0.3 \times V_{DD}$	
$t_w(OSC1H)$ $t_w(OSC1L)$	OSC1 high or low time <sup>3)</sup>		15			ns
$t_r(OSC1)$ $t_f(OSC1)$	OSC1 rise or fall time <sup>3)</sup>				15	
$R_{OBP}$	Oscillator bypass external resistor			1		k $\Omega$

Figure 68. Typical Application with an External Clock Source



#### 12.5.3 Crystal and Ceramic Resonator Oscillators

Symbol	Parameter	Conditions	Min	Max	Unit
$f_{OSC}$	Oscillator Frequency		4	16	MHz
$C_{L1}, C_{L2}$	Load capacitance <sup>4)</sup>	$R_S=100\Omega$ <sup>5)</sup>	12	21	pF
$t_{START}$	Oscillator start-up time	Depends on resonator quality. A typical value is 10ms			

**Notes:**

1. Data based on typical application software.
2. Time measured between interrupt event and interrupt vector fetch.  $\Delta t_{c(INST)}$  is the number of  $t_{CPU}$  cycles needed to finish the current instruction execution.
3. Data based on design simulation and/or technology characteristics, not tested in production.
4.  $C_{L1}$  (resp.  $C_{L2}$ ) is load capacitance on OSC1 (resp. OSC2) pin.
5.  $R_S$  is the equivalent serial resistance of the crystal or ceramic resonator.

## 12.6 MEMORY CHARACTERISTICS

Subject to general operating condition for  $V_{DD}$ ,  $f_{OSC}$ , and  $T_A$  unless otherwise specified.

### 12.6.1 RAM and Hardware Registers

Symbol	Parameter	Conditions	Min	Typ	Max	Unit
$V_{RM}$	Data retention mode <sup>1)</sup>	HALT mode (or RESET)	1.6			V

### 12.6.2 EEPROM Data Memory

Symbol	Parameter	Conditions	Min	Typ	Max	Unit
$t_{prog}$	Programming time (for 1 up to 16 bytes at a time)	$-40^{\circ}\text{C} \leq T_A \leq +85^{\circ}\text{C}$			10	ms
		$-40^{\circ}\text{C} \leq T_A \leq +125^{\circ}\text{C}$			15	
$t_{ret}$	Data retention <sup>3)</sup>	$T_A = +55^{\circ}\text{C}$ <sup>2)</sup>	20			Years
$N_{RW}$	Write erase cycles <sup>3)</sup>	$T_A = +25^{\circ}\text{C}$	300 000			Cycles

### 12.6.3 EPROM Program Memory

Symbol	Parameter	Conditions	Min	Typ	Max	Unit
$W_{ERASE}$	UV lamp	Lamp wavelength 2537Å		15		Watt.sec /cm <sup>2</sup>
$t_{erase}$	Erase Time <sup>4)</sup>	UV lamp is placed 1 inch from the device window without any interposed filters	15		20	min
$t_{ret}$	Data retention <sup>3)</sup>	$T_A = +55^{\circ}\text{C}$ <sup>2)</sup>	20			years

#### Notes:

1. Minimum  $V_{DD}$  supply voltage without losing data stored into RAM in HALT mode or under RESET) or into hardware registers (only in HALT mode). Guaranteed by construction, not tested in production.
2. The data retention time increase when the  $T_A$  decreases.
3. Data based on reliability test results and monitored in production.
4. Data given only as guidelines.

**12.7 EMC CHARACTERISTICS**

Susceptibility tests are performed on a sample basis during product characterization.

**12.7.1 Functional EMS**

(Electro Magnetic Susceptibility)

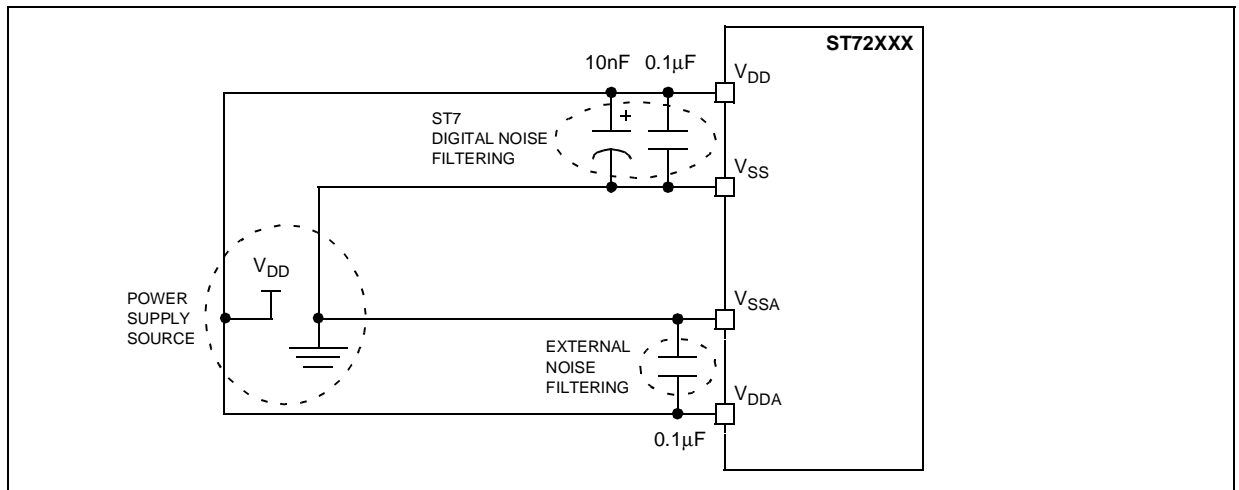
Based on a simple running application on the product (toggling 2 LEDs through I/O ports), the product is stressed by two electro magnetic events until a failure occurs (indicated by the LEDs).

- **ESD:** Electro-Static Discharge (positive and negative) is applied on all pins of the device until a functional disturbance occurs. This test conforms with the IEC 1000-4-2 standard.
- **FTB:** A Burst of Fast Transient voltage (positive and negative) is applied to  $V_{DD}$  and  $V_{SS}$  through a 100pF capacitor, until a functional disturbance occurs. This test conforms with the IEC 1000-4-4 standard.

A device reset allows normal operations to be resumed.

Symbol	Parameter	Conditions	Neg <sup>1)</sup>	Pos <sup>1)</sup>	Unit
$V_{FESD}$	Voltage limits to be applied on any I/O pin to induce a functional disturbance	$V_{DD}=5V, T_A=+25^{\circ}C, f_{OSC}=8MHz$ conforms to IEC 1000-4-2	-1	1	kV
$V_{FFTB}$	Fast transient voltage burst limits to be applied through 100pF on $V_{DD}$ and $V_{DD}$ pins to induce a functional disturbance	$V_{DD}=5V, T_A=+25^{\circ}C, f_{OSC}=8MHz$ conforms to IEC 1000-4-4	-4	4	

**Figure 69. EMC Recommended star network power supply connection <sup>2)</sup>**



**Notes:**

1. Data based on characterization results, not tested in production.
2. The suggested 10nF and 0.1µF decoupling capacitors on the power supply lines are proposed as a good price vs. EMC performance tradeoff. They have to be put as close as possible to the device power supply pins. Other EMC recommendations are given in other sections (I/Os, RESET, OSCx pin characteristics).

## EMC CHARACTERISTICS (Cont'd)

### 12.7.2 Absolute Electrical Sensitivity

Based on three different tests (ESD, LU and DLU) using specific measurement methods, the product is stressed in order to determine its performance in terms of electrical sensitivity. For more details, refer to the AN1181 ST7 application note.

#### 12.7.2.1 Electro-Static Discharge (ESD)

Electro-Static Discharges (3 positive then 3 negative pulses separated by 1 second) are applied to the pins of each sample according to each pin combination. The sample size depends of the number of supply pins of the device (3 parts\*(n+1) supply pin). Two models are usually simulated: Human Body Model and Machine Model. This test conforms to the JESD22-A114A/A115A standard. See [Figure 70](#) and the following test sequences.

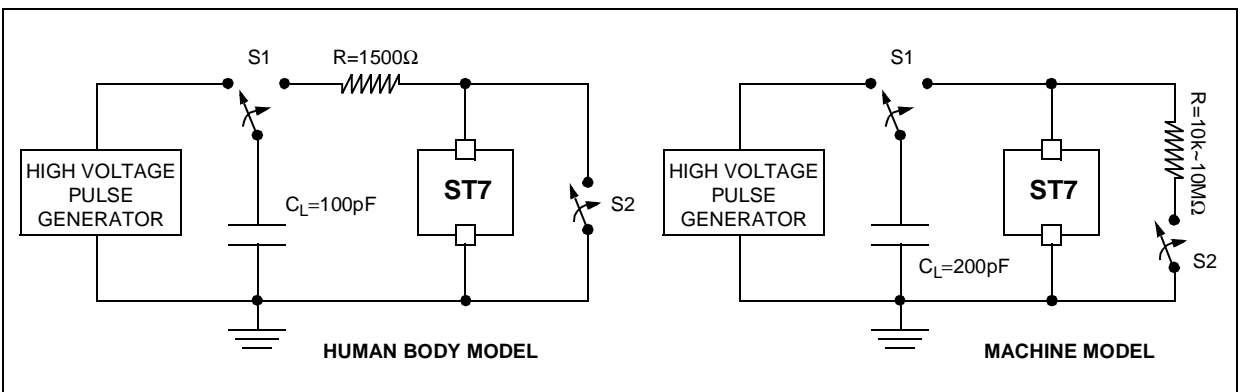
#### Human Body Model Test Sequence

- $C_L$  is loaded through S1 by the HV pulse generator.
- S1 switches position from generator to R.
- A discharge from  $C_L$  through R (body resistance) to the ST7 occurs.
- S2 must be closed 10 to 100ms after the pulse delivery period to ensure the ST7 is not left in charge state. S2 must be opened at least 10ms prior to the delivery of the next pulse.

#### Absolute Maximum Ratings

Symbol	Ratings	Conditions	Maximum value <sup>1)</sup>	Unit
$V_{ESD(HBM)}$	Electro-static discharge voltage (Human Body Model)	$T_A=+25^\circ\text{C}$	2500	V
$V_{ESD(MM)}$	Electro-static discharge voltage (Machine Model)	$T_A=+25^\circ\text{C}$	TBD	

Figure 70. Typical Equivalent ESD Circuits



#### Notes:

1. Data based on characterization results, not tested in production.

#### Machine Model Test Sequence

- $C_L$  is loaded through S1 by the HV pulse generator.
- S1 switches position from generator to ST7.
- A discharge from  $C_L$  to the ST7 occurs.
- S2 must be closed 10 to 100ms after the pulse delivery period to ensure the ST7 is not left in charge state. S2 must be opened at least 10ms prior to the delivery of the next pulse.
- R (machine resistance), in series with S2, ensures a slow discharge of the ST7.

**EMC CHARACTERISTICS** (Cont'd)

**12.7.2.2 Static and Dynamic Latch-Up**

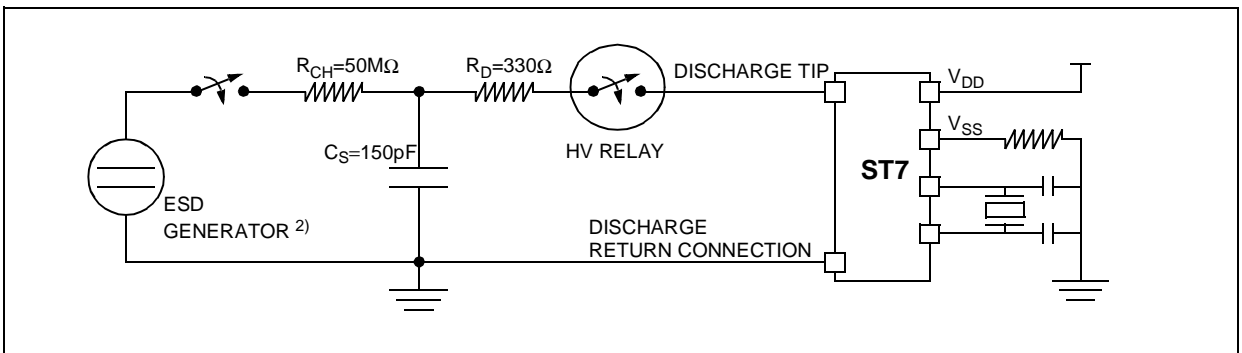
■ **LU:** 3 complementary static tests are required on 10 parts to assess the latch-up performance. A supply overvoltage (applied to each power supply pin), a current injection (applied to each input, output and configurable I/O pin) and a power supply switch sequence are performed on each sample. This test conforms to the EIA/JESD 78 IC latch-up standard. For more details, refer to the AN1181 ST7 application note.

■ **DLU:** Electro-Static Discharges (one positive then one negative test) are applied to each pin of 3 samples when the micro is running to assess the latch-up performance in dynamic mode. Power supplies are set to the typical values, the oscillator is connected as near as possible to the pins of the micro and the component is put in reset mode. This test conforms to the IEC1000-4-2 and SAEJ1752/3 standards and is described in Figure 71. For more details, refer to the AN1181 ST7 application note.

**Electrical Sensitivities**

Symbol	Parameter	Conditions	Class <sup>1)</sup>
LU	Static latch-up class	T <sub>A</sub> =+25°C T <sub>A</sub> =+85°C	A A
DLU	Dynamic latch-up class	V <sub>DD</sub> =5.5V, f <sub>OSC</sub> =4MHz, T <sub>A</sub> =+25°C	TBD

**Figure 71. Simplified Diagram of the ESD Generator for DLU**



**Notes:**

1. Class description: A Class is an STMicroelectronics internal specification. All its limits are higher than the JEDEC specifications, that means when a device belongs to Class A it exceeds the JEDEC standard. B Class strictly covers all the JEDEC criteria (international standard).
2. Schaffner NSG435 with a pointed test finger.



## EMC CHARACTERISTICS (Cont'd)

## 12.7.3 ESD Pin Protection Strategy

To protect an integrated circuit against Electro-Static Discharge the stress must be controlled to prevent degradation or destruction of the circuit elements. The stress generally affects the circuit elements which are connected to the pads but can also affect the internal devices when the supply pads receive the stress. The elements to be protected must not receive excessive current, voltage or heating within their structure.

An ESD network combines the different input and output ESD protections. This network works, by allowing safe discharge paths for the pins subjected to ESD stress. Two critical ESD stress cases are presented in [Figure 72](#) and [Figure 73](#) for standard pins and in [Figure 74](#) and [Figure 75](#) for true open drain pins.

## Standard Pin Protection

To protect the output structure the following elements are added:

- A diode to  $V_{DD}$  (3a) and a diode from  $V_{SS}$  (3b)
- A protection device between  $V_{DD}$  and  $V_{SS}$  (4)

To protect the input structure the following elements are added:

- A resistor in series with the pad (1)
- A diode to  $V_{DD}$  (2a) and a diode from  $V_{SS}$  (2b)
- A protection device between  $V_{DD}$  and  $V_{SS}$  (4)

Figure 72. Positive Stress on a Standard Pad vs.  $V_{SS}$

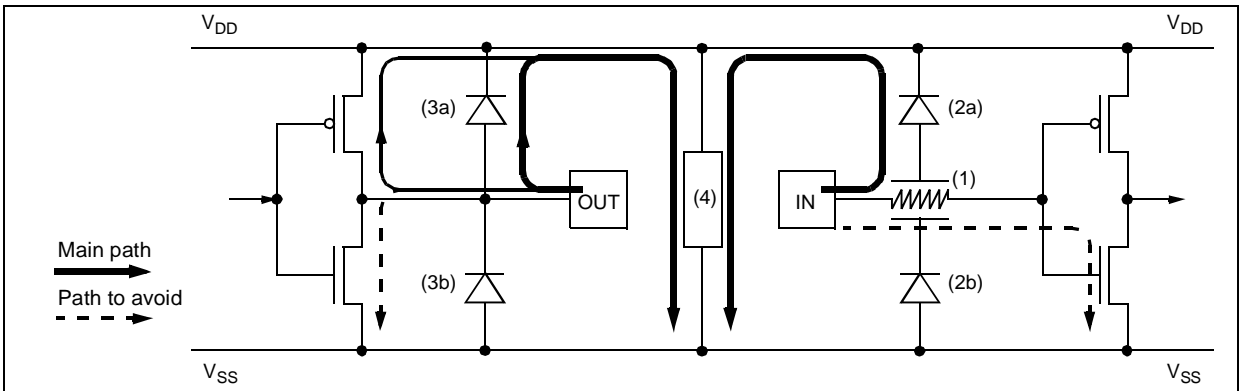
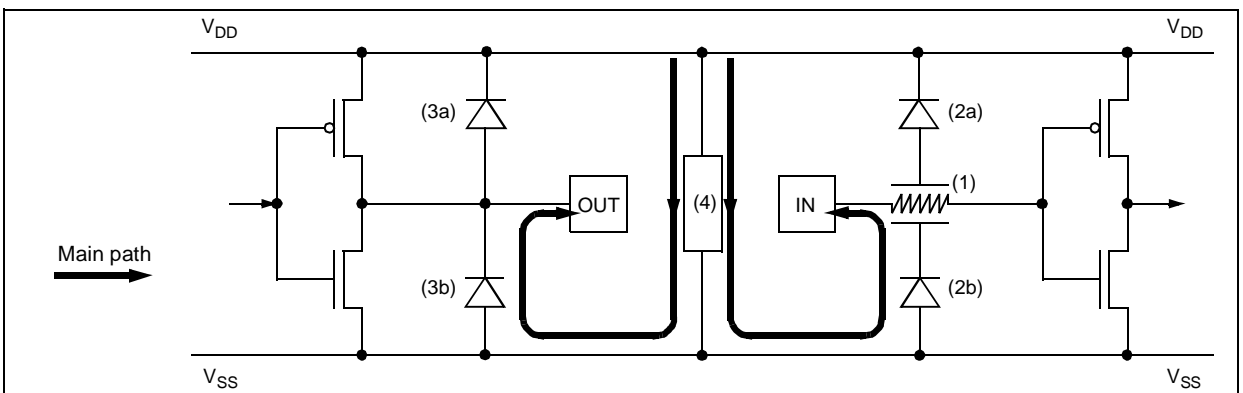


Figure 73. Negative Stress on a Standard Pad vs.  $V_{DD}$



**EMC CHARACTERISTICS (Cont'd)**

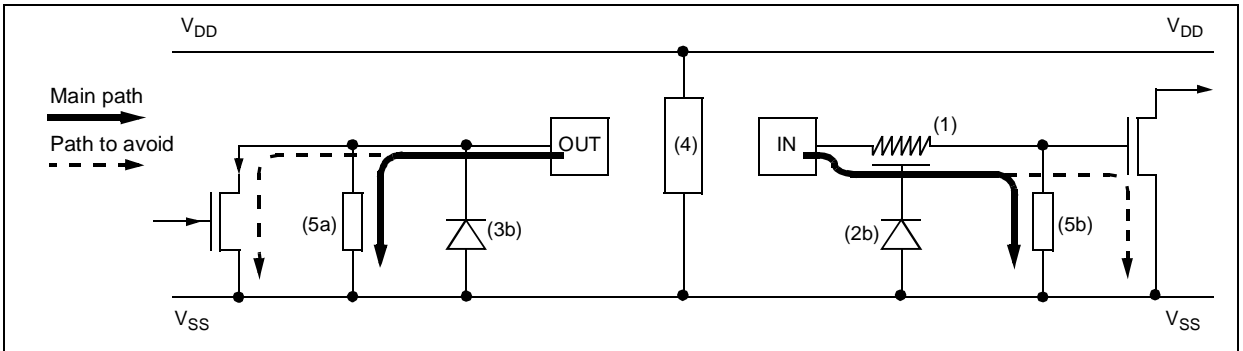
**True Open Drain Pin Protection**

The centralized protection (4) is not involved in the discharge of the ESD stresses applied to true open drain pads due to the fact that a P-Buffer and diode to  $V_{DD}$  are not implemented. An additional local protection between the pad and  $V_{SS}$  (5a & 5b) is implemented to completely absorb the positive ESD discharge.

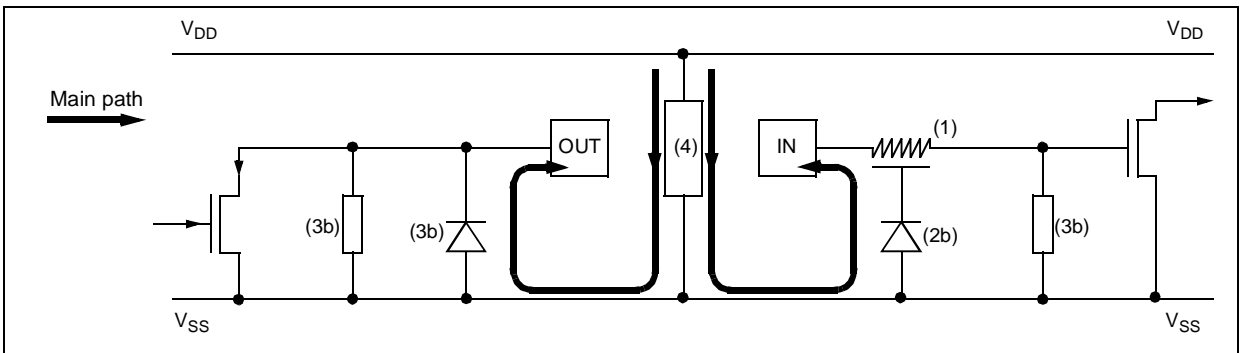
**Multisupply Configuration**

When several types of ground ( $V_{SS}$ ,  $V_{SSA}$ ,...) and power supply ( $V_{DD}$ ,  $V_{DDA}$ ,...) are available for any reason (better noise immunity...), the structure shown in Figure 76 is implemented to protect the device against ESD.

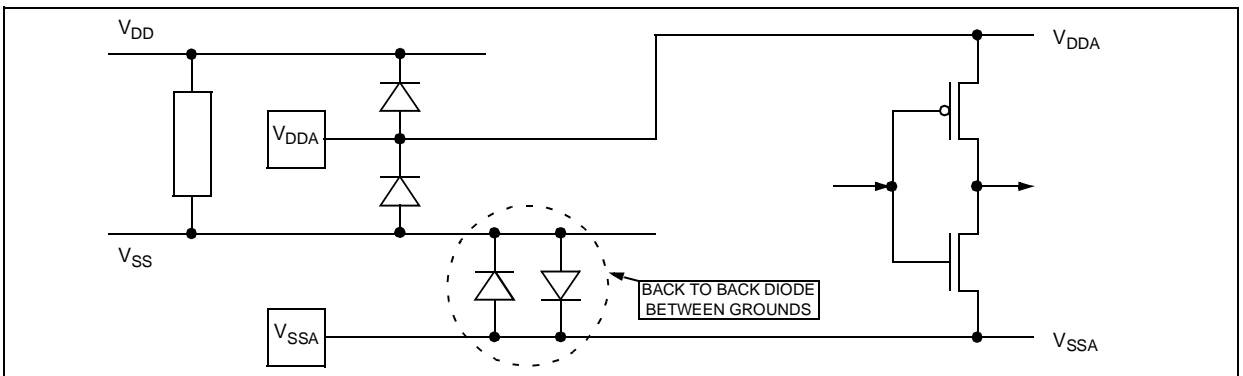
**Figure 74. Positive Stress on a True Open Drain Pad vs.  $V_{SS}$**



**Figure 75. Negative Stress on a True Open Drain Pad vs.  $V_{DD}$**



**Figure 76. Multisupply Configuration**



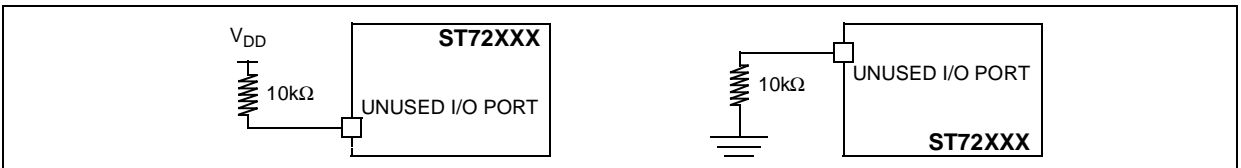
## 12.8 I/O PORT PIN CHARACTERISTICS

### 12.8.1 General Characteristics

Subject to general operating condition for  $V_{DD}$ ,  $f_{OSC}$ , and  $T_A$  unless otherwise specified.

Symbol	Parameter	Conditions	Min	Typ <sup>1)</sup>	Max	Unit
$V_{IL}$	Input low level voltage <sup>2)</sup>				$0.3 \times V_{DD}$	V
$V_{IH}$	Input high level voltage <sup>2)</sup>		$0.7 \times V_{DD}$			
$V_{hys}$	Schmitt trigger voltage hysteresis <sup>3)</sup>			400		mV
$I_L$	Input leakage current	$V_{SS} \leq V_{IN} \leq V_{DD}$			$\pm 1$	$\mu A$
$I_S$	Static current consumption <sup>4)</sup>	Floating input mode			200	
$R_{PU}$	Weak pull-up equivalent resistor <sup>5)</sup>	$V_{IN} = V_{SS}$   $V_{DD} = 5V$	60		240	$k\Omega$
$C_{IO}$	IO pin capacitance			5		pF
$t_{f(I/O)out}$	Output high to low level fall time <sup>2)</sup>	$C_L = 50pF$ Between 10% and 90%		25		ns
$t_{r(I/O)out}$	Output low to high level rise time <sup>2)</sup>			25		
$t_{w(IT)in}$	External interrupt pulse time <sup>6)</sup>		1			$t_{CPU}$

**Figure 77. Two typical Applications with unused I/O Pin**



#### Notes:

1. Unless otherwise specified, typical data are based on  $T_A = 25^\circ C$  and  $V_{DD} = 5V$ .
2. Data based on characterization results, not tested in production.
3. Hysteresis voltage between Schmitt trigger switching levels. Based on characterization results, not tested.
4. Configuration not recommended, all unused pins must be kept at a fixed voltage: using the output mode of the I/O for example or an external pull-up or pull-down resistor (see [Figure 77](#)). Data based on design simulation and/or technology characteristics, not tested in production.
5. The  $R_{PU}$  pull-up equivalent resistor is based on a resistive transistor. This data is based on characterization results, not tested in production.
6. To generate an external interrupt, a minimum pulse width has to be applied on an I/O port pin configured as an external interrupt source.

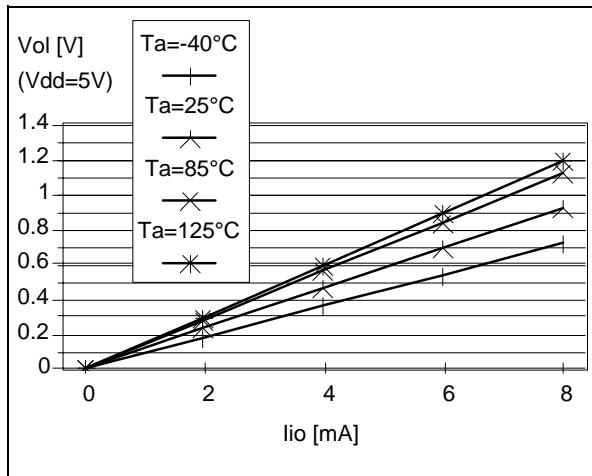
**I/O PORT PIN CHARACTERISTICS (Cont'd)**

**12.8.2 Output Driving Current**

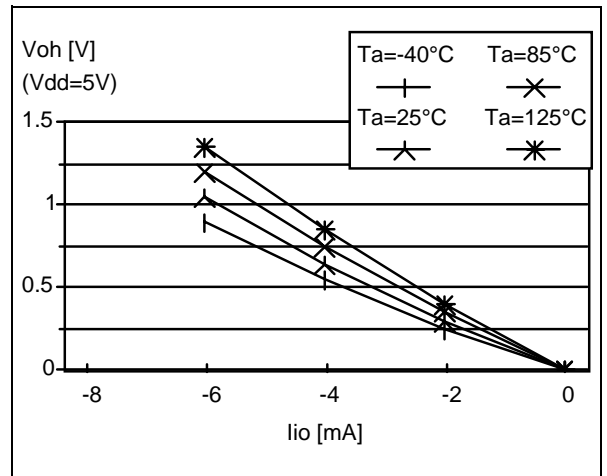
Subject to general operating condition for  $V_{DD}$ ,  $f_{OSC}$ , and  $T_A$  unless otherwise specified.

Symbol	Parameter	Conditions	Min	Max	Unit	
$V_{OL}^{1)}$	Output low level voltage for a standard I/O pin when 8 pins are sunk at same time (see Figure 78)	$V_{DD}=5V$	$I_{IO}=+5mA$		1.3	V
			$I_{IO}=+2mA$		0.4	
			$I_{IO}=+20mA$		1.3	
			$I_{IO}=+8mA$		0.4	
$V_{OH}^{2)}$	Output high level voltage for an I/O pin when 8 pins are sourced at same time (see Figure 80)	$V_{DD}=5V$	$I_{IO}=-5mA$	$V_{DD}-2.0$		
			$I_{IO}=-2mA$	$V_{DD}-0.8$		

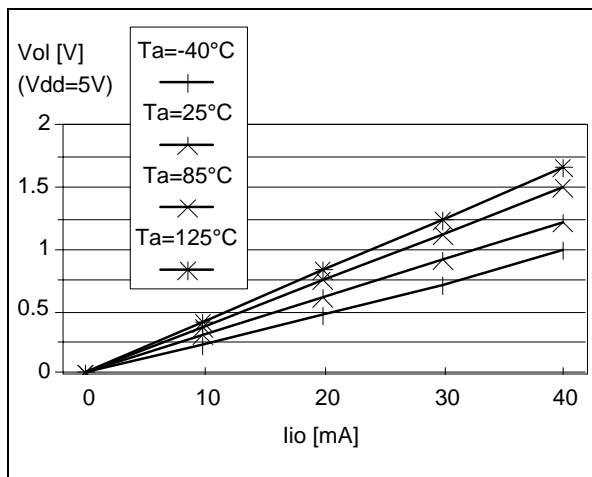
**Figure 78. Typical  $V_{OL}$  at  $V_{DD}=5V$  (standard)**



**Figure 80. Typical  $V_{OH}$  at  $V_{DD}=5V$**



**Figure 79. Typical  $V_{OL}$  at  $V_{DD}=5V$  (high-sink)**



**Notes:**

1. The  $I_{IO}$  current sunk must always respect the absolute maximum rating specified in Section 12.2.2 and the sum of  $I_{IO}$  (I/O ports and control pins) must not exceed  $I_{VSS}$ .
2. The  $I_{IO}$  current sourced must always respect the absolute maximum rating specified in Section 12.2.2 and the sum of  $I_{IO}$  (I/O ports and control pins) must not exceed  $I_{VDD}$ . True open drain I/O pins does not have  $V_{OH}$ .

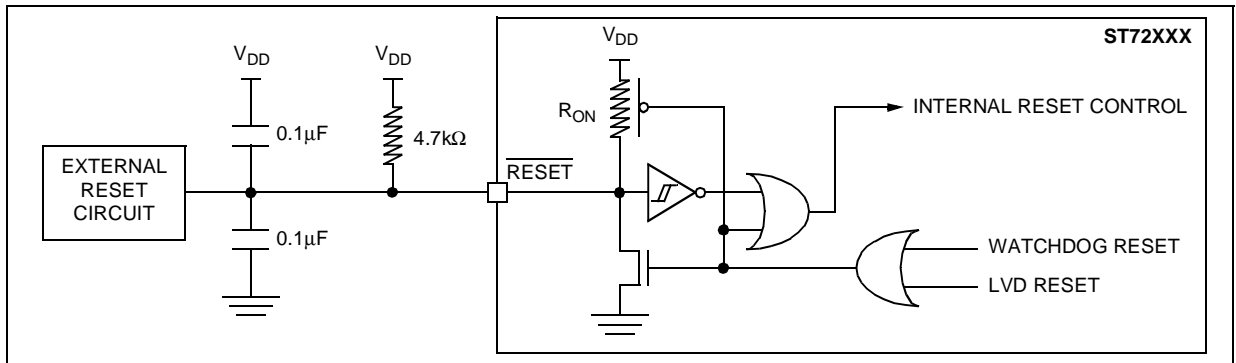
## 12.9 CONTROL PIN CHARACTERISTICS

### 12.9.1 Asynchronous $\overline{\text{RESET}}$ Pin

Subject to general operating condition for  $V_{DD}$ ,  $f_{OSC}$ , and  $T_A$  unless otherwise specified.

Symbol	Parameter	Conditions	Min	Typ <sup>1)</sup>	Max	Unit
$V_{IL}$	Input low level voltage <sup>2)</sup>				$0.3 \times V_{DD}$	V
$V_{IH}$	Input high level voltage <sup>2)</sup>		$0.7 \times V_{DD}$			
$V_{hys}$	Schmitt trigger voltage hysteresis <sup>3)</sup>			400		mV
$R_{ON}$	Weak pull-up equivalent resistor <sup>4)</sup>	$V_{IN}=V_{SS}$ $V_{DD}=5V$	20		60	k $\Omega$
$t_{w(RSTL)out}$	Generated reset pulse duration	Watchdog reset source		1		$\mu s$
$t_{h(RSTL)in}$	External reset pulse hold time		20			$\mu s$

Figure 81. Typical Application with  $\overline{\text{RESET}}$  pin<sup>5)</sup>

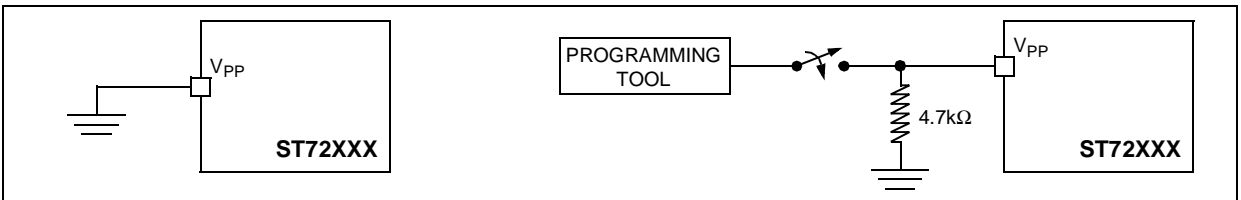


### 12.9.2 $V_{PP}$ Pin

Subject to general operating condition for  $V_{DD}$ ,  $f_{OSC}$ , and  $T_A$  unless otherwise specified.

Symbol	Parameter	Conditions	Min	Max	Unit
$V_{IL}$	Input low level voltage <sup>6)</sup>		$V_{SS}$	0.2	V
$V_{IH}$	Input high level voltage <sup>6)</sup>		$V_{DD}-0.1$	12.6	

Figure 82. Two typical Applications with  $V_{PP}$  Pin<sup>7)</sup>



#### Notes:

1. Unless otherwise specified, typical data are based on  $T_A=25^\circ\text{C}$  and  $V_{DD}=5V$ .
2. Data based on characterization results, not tested in production.
3. Hysteresis voltage between Schmitt trigger switching levels. Based on characterization results, not tested.
4. The  $R_{ON}$  pull-up equivalent resistor is based on a resistive transistor. This data is based on characterization results, not tested in production.
5. The reset network protects the device against parasitic resets, especially in a noisy environment.
6. Data based on design simulation and/or technology characteristics, not tested in production.
7. When the in-circuit programming mode is not required by the application  $V_{PP}$  pin must be tied to  $V_{SS}$ .

## 12.10 TIMER PERIPHERAL CHARACTERISTICS

Subject to general operating condition for  $V_{DD}$ ,  $f_{O-SC}$ , and  $T_A$  unless otherwise specified.

Refer to I/O port characteristics for more details on the input/output alternate function characteristics (output compare, input capture, external clock, PWM output...).

### 12.10.1 Watchdog Timer

Symbol	Parameter	Conditions	Min	Typ	Max	Unit
$t_{w(WDG)}$	Watchdog time-out duration		12,288		786,432	$t_{CPU}$
		$f_{CPU}=8MHz$	1.54		98.3	ms

### 12.10.2 8-Bit PWM-ART Auto-Reload Timer

Symbol	Parameter	Conditions	Min	Typ	Max	Unit
$t_{res(PWM)}$	PWM resolution time		1			$t_{CPU}$
		$f_{CPU}=8MHz$	125			ns
$f_{EXT}$	ART external clock frequency		0		$f_{CPU}/2$	MHz
$f_{PWM}$	PWM repetition rate		0		$f_{CPU}/2$	
$Res_{PWM}$	PWM resolution				8	bit
$V_{OS}$	PWM/DAC output step voltage	$V_{DD}=5V$ , Res=8-bits		20		mV

### 12.10.3 16-Bit Timer

Symbol	Parameter	Conditions	Min	Typ	Max	Unit
$t_{w(ICAP)in}$	Input capture pulse time		1			$t_{CPU}$
$t_{res(PWM)}$	PWM resolution time		2			$t_{CPU}$
		$f_{CPU}=8MHz$	250			ns
$f_{EXT}$	Timer external clock frequency		0		$f_{CPU}/4$	MHz
$f_{PWM}$	PWM repetition rate		0		$f_{CPU}/4$	MHz
$Res_{PWM}$	PWM resolution				16	bit

12.11 COMMUNICATIONS INTERFACE CHARACTERISTICS

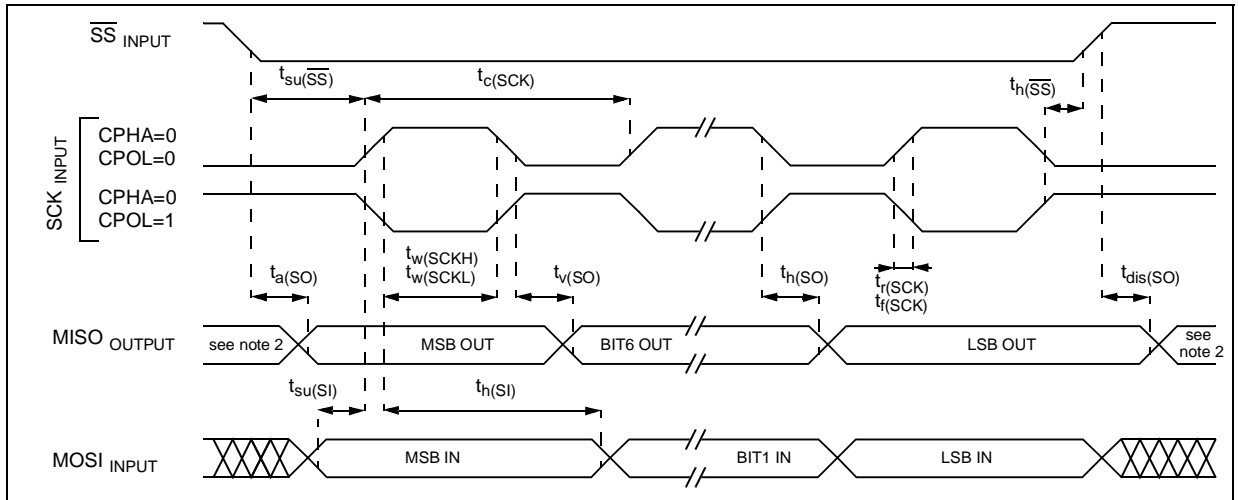
12.11.1 SPI - Serial Peripheral Interface

Subject to general operating condition for  $V_{DD}$ ,  $f_{O-SC}$ , and  $T_A$  unless otherwise specified.

Refer to I/O port characteristics for more details on the input/output alternate function characteristics ( $\overline{SS}$ , SCK, MOSI, MISO).

Symbol	Parameter	Conditions	Min	Max	Unit
$f_{SCK}$ $1/t_{c(SCK)}$	SPI clock frequency	Master $f_{CPU}=8MHz$	$f_{CPU}/128$ 0.0625	$f_{CPU}/4$ 2	MHz
		Slave $f_{CPU}=8MHz$	0	$f_{CPU}/2$ 4	
$t_{r(SCK)}$ $t_{f(SCK)}$	SPI clock rise and fall time		see I/O port pin description		
$t_{su}(\overline{SS})$	$\overline{SS}$ setup time	Slave	120		ns
$t_{h}(\overline{SS})$	$\overline{SS}$ hold time	Slave	120		
$t_w(SCKH)$ $t_w(SCKL)$	SCK high and low time	Master	100		
		Slave	90		
$t_{su}(MI)$ $t_{su}(SI)$	Data input setup time	Master	100		
		Slave	100		
$t_{h}(MI)$ $t_{h}(SI)$	Data input hold time	Master	100		
		Slave	100		
$t_a(SO)$	Data output access time	Slave	0	120	
$t_{dis}(SO)$	Data output disable time	Slave		240	
$t_v(SO)$	Data output valid time	Slave (after enable edge)		120	
$t_h(SO)$	Data output hold time		0		
$t_v(MO)$	Data output valid time	Master (before capture edge)	0.25		$t_{CPU}$
$t_h(MO)$	Data output hold time		0.25		

Figure 83. SPI Slave Timing Diagram with  $CPHA=0^3$



Notes:

1. Data based on design simulation and/or characterisation results, not tested in production.
2. When no communication is on-going the data output line of the SPI (MOSI in master mode, MISO in slave mode) has its alternate function capability released. In this case, the pin status depends on the I/O port configuration.
3. Measurement points are done at CMOS levels:  $0.3 \times V_{DD}$  and  $0.7 \times V_{DD}$ .

COMMUNICATIONS INTERFACE CHARACTERISTICS (Cont'd)

Figure 84. SPI Slave Timing Diagram with CPHA=1<sup>1)</sup>

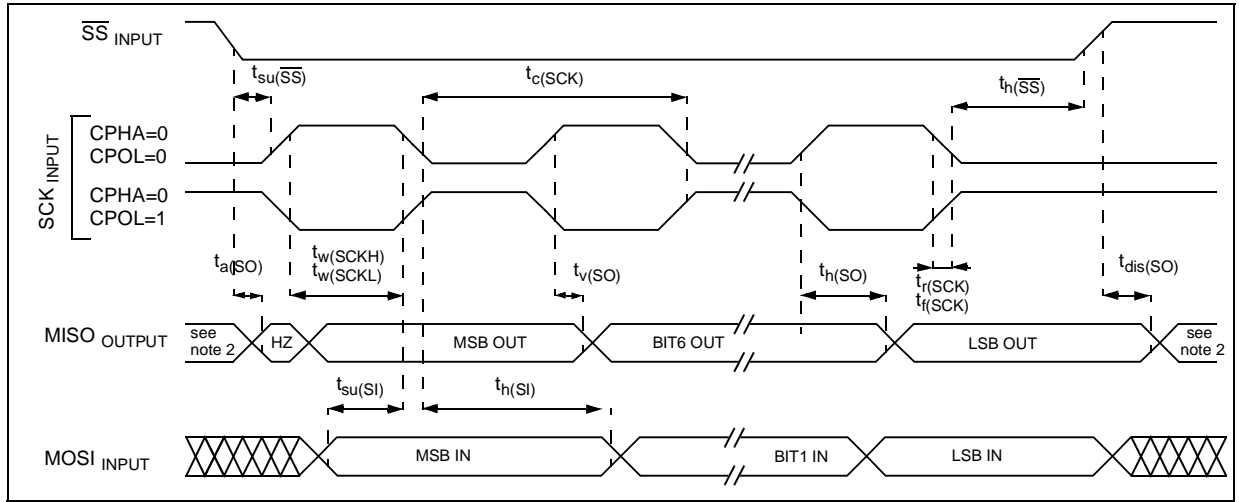
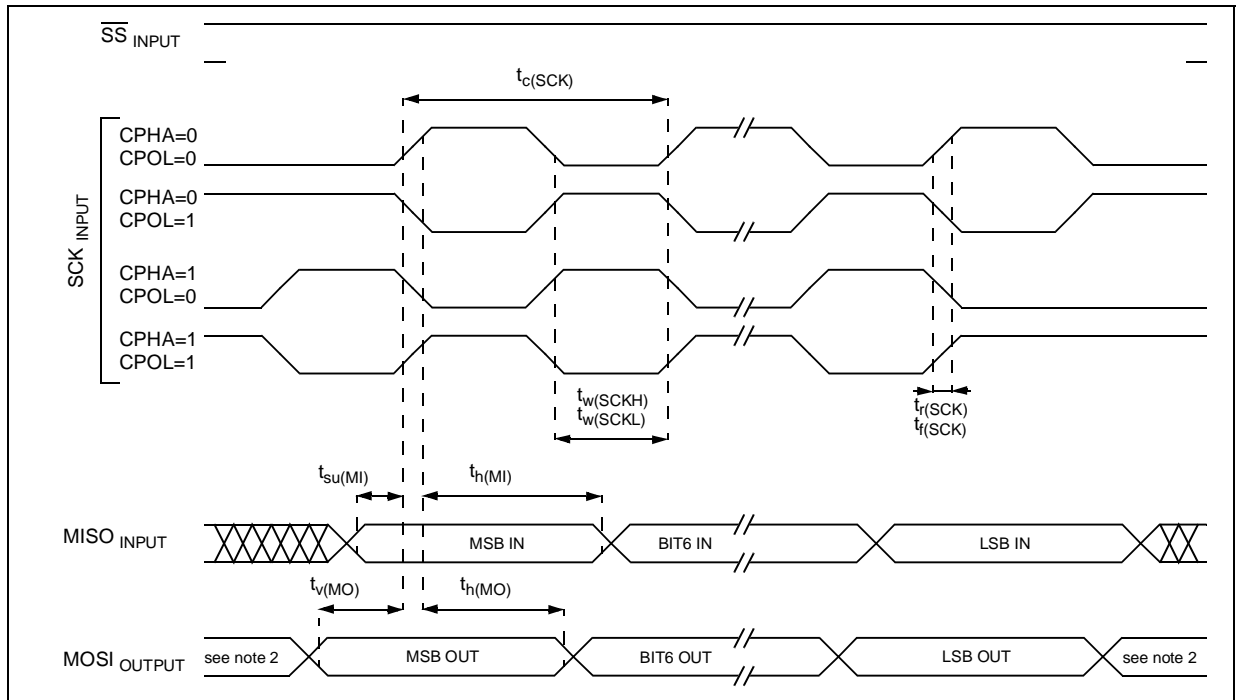


Figure 85. SPI Master Timing Diagram <sup>1)</sup>



Notes:

1. Measurement points are done at CMOS levels:  $0.3xV_{DD}$  and  $0.7xV_{DD}$ .
2. When no communication is on-going the data output line of the SPI (MOSI in master mode, MISO in slave mode) has its alternate function capability released. In this case, the pin status depends of the I/O port configuration.



**COMMUNICATIONS INTERFACE CHARACTERISTICS (Cont'd)****12.11.2 SCI - Serial Communications Interface**

Subject to general operating condition for  $V_{DD}$ ,  $f_{O-SC}$ , and  $T_A$  unless otherwise specified.

Refer to I/O port characteristics for more details on the input/output alternate function characteristics (RDI and TDO).

Symbol	Parameter	Conditions			Standard	Baud Rate	Unit
		$f_{CPU}$	Accuracy vs. Standard	Prescaler			
$f_{Tx}$ $f_{Rx}$	Communication frequency	8MHz	~0.16%	Conventional Mode TR (or RR)=64, PR=13	300	~300.48	Hz
				TR (or RR)=16, PR=13	1200	~1201.92	
				TR (or RR)= 8, PR=13	2400	~2403.84	
				TR (or RR)= 4, PR=13	4800	~4807.69	
				TR (or RR)= 2, PR=13	9600	~9615.38	
				TR (or RR)= 8, PR= 3	10400	~10416.67	
				TR (or RR)= 1, PR=13	19200	~19230.77	
				Extended Mode ETPR (or ERPR) = 13	38400	~38461.54	
			~0.79%	Extended Mode ETPR (or ERPR) = 35	14400	~14285.71	

**12.11.3 CAN - Controller Area Network Interface**

Subject to general operating condition for  $V_{DD}$ ,  $f_{O-SC}$ , and  $T_A$  unless otherwise specified.

Refer to I/O port characteristics for more details on

the input/output alternate function characteristics (CANTX and CANRX).

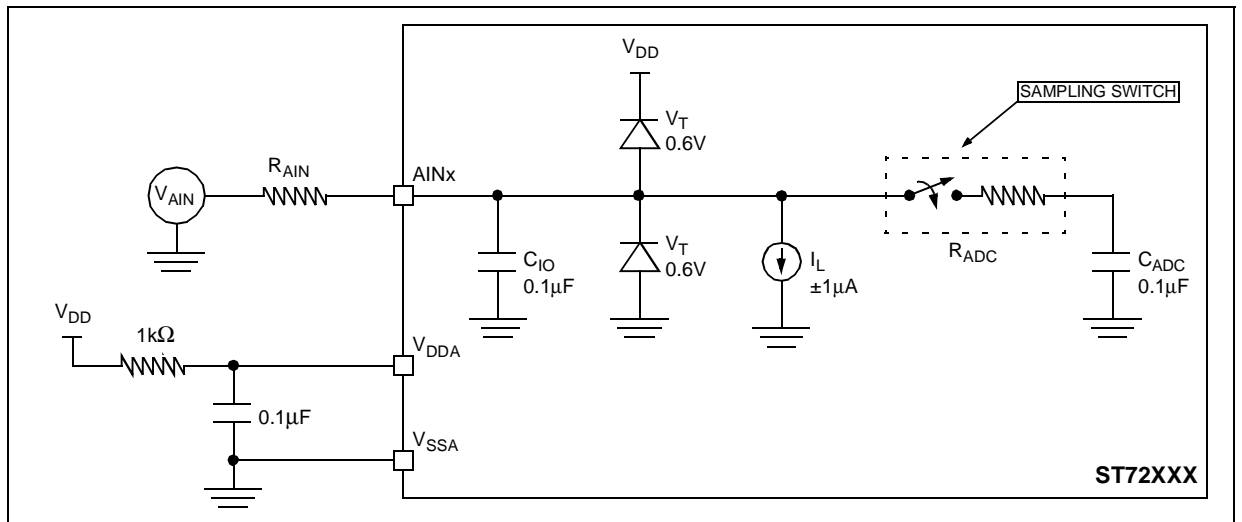
Symbol	Parameter	Conditions	Min	Typ	Max	Unit
$t_{p(RX:TX)}$	CAN controller propagation time				60	ns

12.12 8-BIT ADC CHARACTERISTICS

Subject to general operating condition for  $V_{DD}$ ,  $f_{OSC}$ , and  $T_A$  unless otherwise specified.

Symbol	Parameter	Conditions	Min	Typ <sup>1)</sup>	Max	Unit
$f_{ADC}$	ADC clock frequency				4	MHz
$V_{AIN}$	Conversion range voltage <sup>2)</sup>		$V_{SSA}$		$V_{DDA}$	V
$R_{AIN}$	External input resistor				15 <sup>3)</sup>	k $\Omega$
$R_{ADC}$	Internal input resistor			1.5		k $\Omega$
$C_{ADC}$	Internal sample and hold capacitor			6		pF
$t_{STAB}$	Stabilization time after ADC enable	$f_{CPU}=8MHz, f_{ADC}=4MHz$		0 <sup>4)</sup>		$\mu s$
$t_{LOAD}$	Sample capacitor loading time			1 4		$\mu s$ 1/ $f_{ADC}$
$t_{CONV}$	Hold conversion time			2.250 9		$\mu s$ 1/ $f_{ADC}$

Figure 86. Typical Application with ADC



Notes:

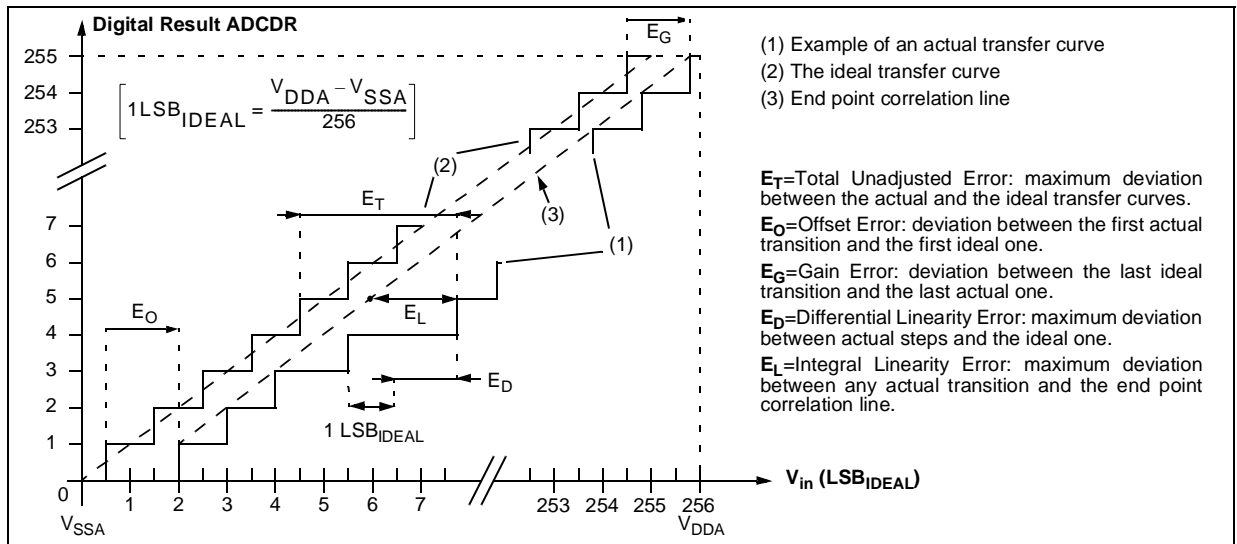
1. Unless otherwise specified, typical data are based on  $T_A=25^\circ C$  and  $V_{DD}-V_{SS}=5V$ . They are given only as design guidelines and are not tested.
2. When  $V_{DDA}$  and  $V_{SSA}$  pins are not available on the pinout, the ADC refer to  $V_{DD}$  and  $V_{SS}$ .
3. Any added external serial resistor will downgrade the ADC accuracy (especially for resistance greater than 10k $\Omega$ ). Data based on characterization results, not tested in production.
4. The stabilization time of the AD converter is masked by the first  $t_{LOAD}$ . The first conversion after the enable is then always valid.

## ADC CHARACTERISTICS (Cont'd)

ADC Accuracy with  $V_{DD}=5.0V$ 

Symbol	Parameter	Conditions	Min	Max	Unit
$ E_T $	Total unadjusted error <sup>2)</sup>	$f_{CPU}=8MHz, f_{ADC}=4MHz$ <sup>1)</sup>		1.5	LSB
$E_O$	Offset error <sup>2)</sup>		-1	1	
$E_G$	Gain Error <sup>2)</sup>		-0.5	0.5	
$ E_D $	Differential linearity error <sup>2)</sup>			1	
$ E_L $	Integral linearity error <sup>2)</sup>			1	

Figure 87. ADC Accuracy Characteristics



## Notes:

- Data based on characterization results over the whole temperature range, monitored in production.
- ADC Accuracy vs. Negative Injection Current:  
For  $I_{INJ} = 0.8mA$ , the typical leakage induced inside the die is  $1.6\mu A$  and the effect on the ADC accuracy is a loss of 1 LSB for each  $10K\Omega$  increase of the external analog source impedance. This effect on the ADC accuracy has been observed under worst-case conditions for injection:
  - negative injection
  - injection to an Input with analog capability, adjacent to the enabled Analog Input
  - at  $5V V_{DD}$  supply, and worst case temperature.

### 13 PACKAGE CHARACTERISTICS

#### 13.1 PACKAGE MECHANICAL DATA

Figure 88. 64-Pin Thin Quad Flat Package

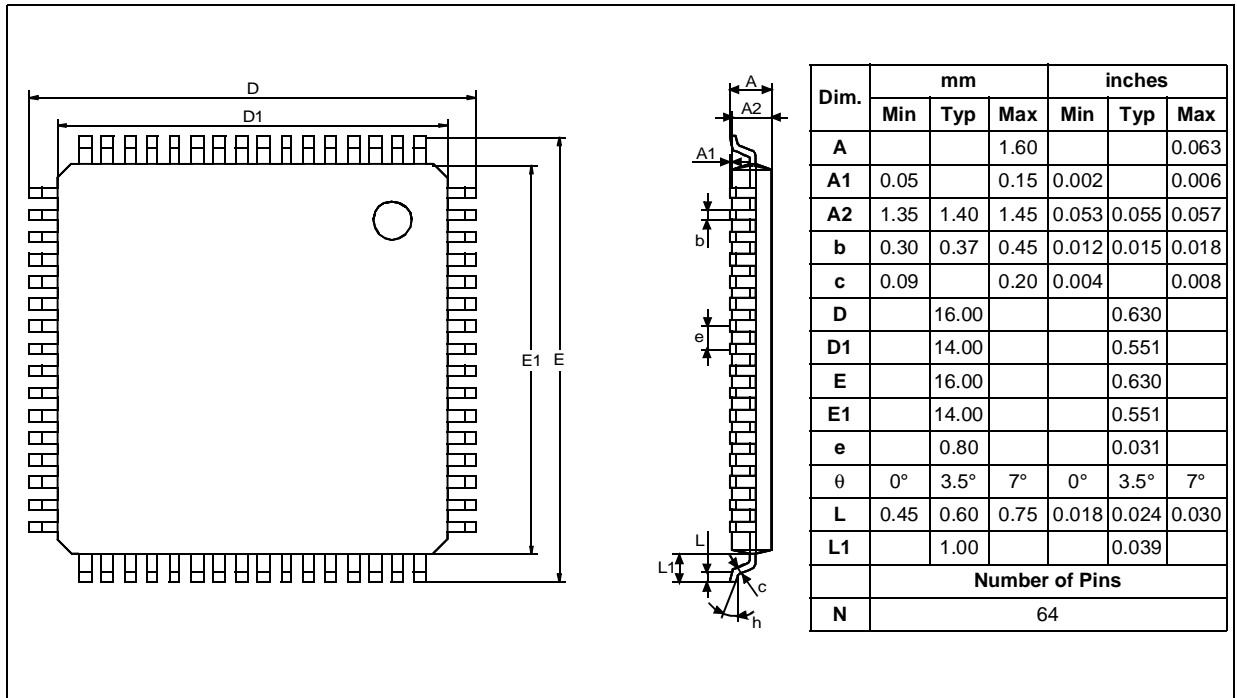
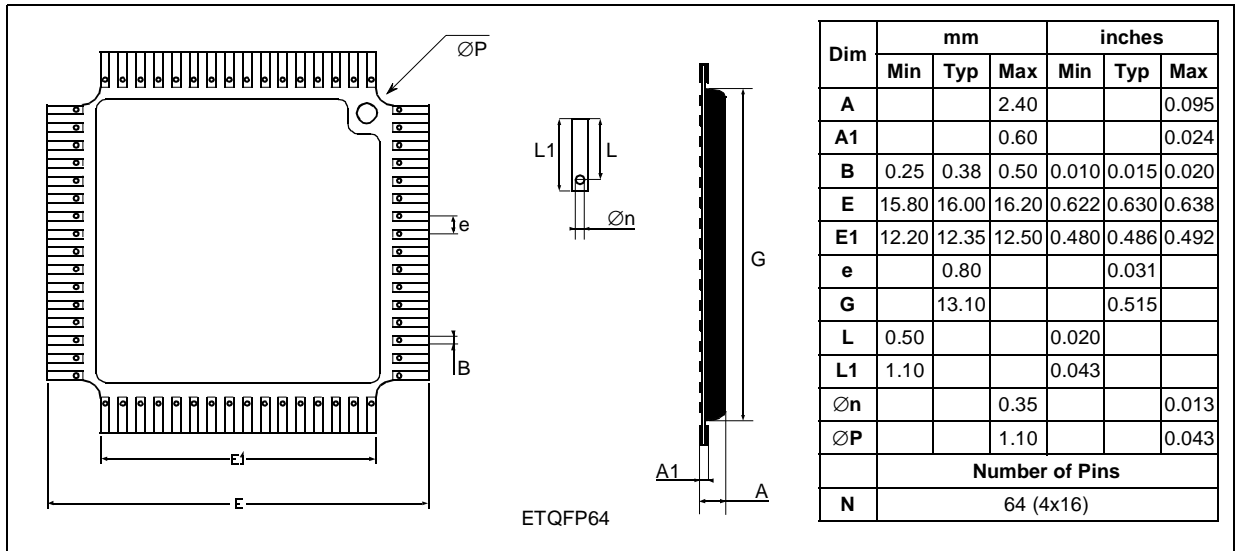


Figure 89. 64-Pin Epoxy Thin Quad Flat Package



**Note:** “QUALIFICATION OR VOLUME PRODUCTION OF DEVICES USING EPOXY PACKAGES (ESO/EDIL/EQFP) IS NOT AUTHORIZED It is expressly specified that qualification and/or volume production of devices using the package E.... in any applications is not authorized. Usage in any application is strictly restricted to development purpose. Similar devices are available in plastic package mechanically compatible to the epoxy package for qualification

and volume production.”

## 13.2 THERMAL CHARACTERISTICS

Symbol	Ratings	Value	Unit
$R_{thJA}$	Package thermal resistance (junction to ambient) TQFP64	60	°C/W
$P_D$	Power dissipation <sup>1)</sup>	500	mW
$T_{Jmax}$	Maximum junction temperature <sup>2)</sup>	150	°C

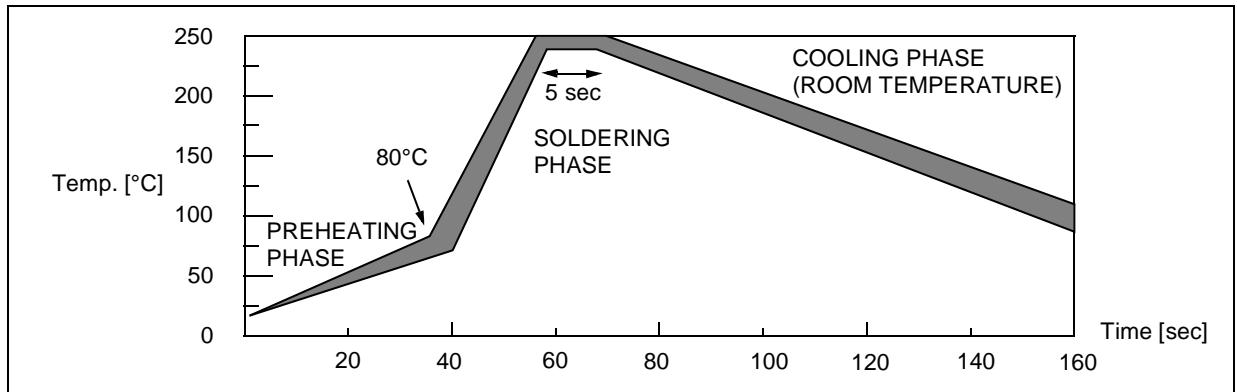
**Notes:**

1. The power dissipation is obtained from the formula  $P_D = P_{INT} + P_{PORT}$  where  $P_{INT}$  is the chip internal power ( $I_{DD} \times V_{DD}$ ) and  $P_{PORT}$  is the port power dissipation determined by the user.
2. The average chip-junction temperature can be obtained from the formula  $T_J = T_A + P_D \times R_{thJA}$ .

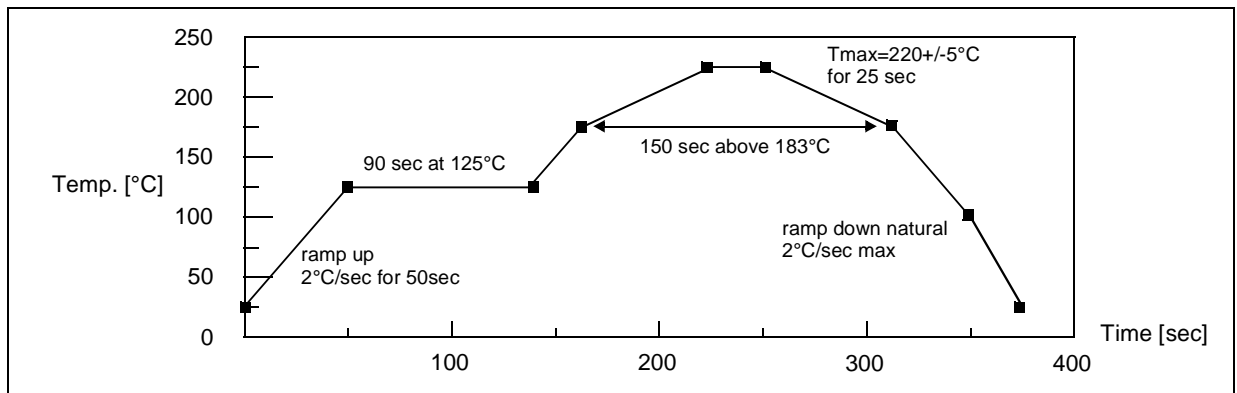
### 13.3 SOLDERING AND GLUEABILITY INFORMATION

Recommended soldering information given only as design guidelines.

**Figure 90. Recommended Wave Soldering Profile (with 37% Sn and 63% Pb)**



**Figure 91. Recommended Reflow Soldering Oven Profile (MID JEDEC)**



Recommended glue for SMD plastic packages dedicated to molding compound with silicone:

- Heraeus: PD945, PD955
- Loctite: 3615, 3298

## 14 DEVICE CONFIGURATION AND ORDERING INFORMATION

Each device is available for production in user programmable versions (OTP) as well as in factory coded versions (ROM). OTP devices are shipped to customers with a default content (FFh), while ROM factory coded parts contain the code supplied by the customer. This implies that OTP devices have to be configured by the customer using the Option Bytes while the ROM devices are factory-configured.

### 14.1 OPTION BYTES

The option byte allows the hardware configuration of the microcontroller to be selected.

The option byte has no address in the memory

map and can be accessed only in programming mode (for example using a standard ST7 programming tool). The default content of the OTP is fixed to FFh. This means that all the options have “1” as their default value.

In masked ROM devices, the option bytes are fixed in hardware by the ROM code (see option list). For ROM devices, two other options have to be specified in the option list:

- LVD enable/disable
- Oscillator source selection

For OTP devices, LVD is selected by different order codes (see [Figure 93](#)) and Oscillator Source selection is not required.

		USER OPTION BYTE							
		7				0			
						FMP		WDG HALT	WDG SW
Default Value		1	1	1	1	1	1	1	1

#### USER OPTION BYTE

Bit 7:6,4 = **Reserved**, must always be 1.

Bit 5 = **Reserved**, must always be 0.

Bit 3 = **FMP Full memory protection**

This option bit allows the protection of the software contents against piracy (program or data). When the protection is activated, read-out of the EPROM or data EEPROM contents is prevented by hardware.

- 0: Read-out protection enabled
- 1: Read-out protection disabled

Bit 2 = **Reserved**, must always be 1

Bit 1 = **WDG HALT Watchdog Reset on HALT**

This option bit determines if a RESET is generated when entering HALT mode while the Watchdog is active.

- 0: No Reset generation when entering Halt mode
- 1: Reset generation when entering Halt mode

Bit 0 = **WDG SW Hardware or software watchdog**

This option bit selects the watchdog type.

- 0: Hardware (watchdog always enabled)
- 1: Software (watchdog to be enabled by software)



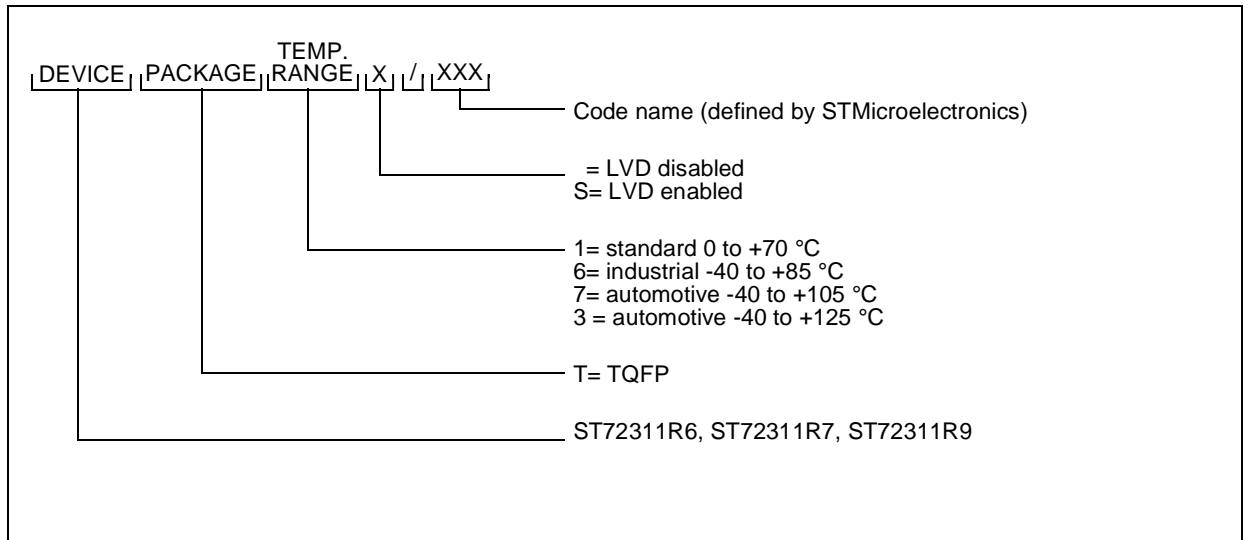
## 14.2 DEVICE ORDERING INFORMATION AND TRANSFER OF CUSTOMER CODE

Customer code is made up of the ROM contents and the list of the selected options (if any). The ROM contents are to be sent on diskette, or by electronic means, with the S19 hexadecimal file generated by the development tool. All unused bytes must be set to FFh.

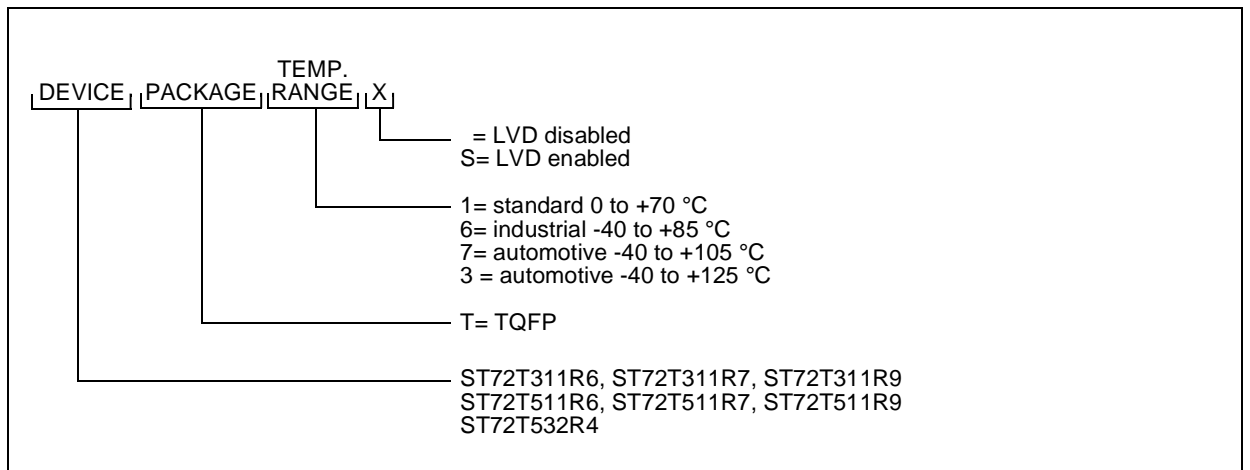
The selected options are communicated to STMicroelectronics using the correctly completed OPTION LIST appended.

The STMicroelectronics Sales Organization will be pleased to provide detailed information on contractual points.

**Figure 92. ROM Factory Coded Device Types**



**Figure 93. OTP User Programmable Device Types**



TRANSFER OF CUSTOMER CODE (Cont'd)

ST72311R MICROCONTROLLER OPTION LIST

Customer .....  
Address .....  
.....  
Contact .....  
Phone N° .....  
Reference .....

STMicroelectronics references

Device:                     ST72311R9  
                              ST72311R7  
                              ST72311R6

Package:                    TQFP64

Temperature Range:       0°C to + 70°C    - 40°C to + 85°C  
                              - 40°C to + 105°C    - 40°C to + 125°C

Oscillator Source Selection:  Quartz Crystal/Ceramic resonator  
    External Clock

Watchdog Selection:       Software Activation  
    Hardware Activation

Watchdog Reset on Halt    No Reset  
    Reset

Readout Protection:       Disabled  
    Enabled

LVD Reset                    Disabled                    Enabled:

Comments :

Supply Operating Range in the application:

Notes .....  
Signature .....  
Date .....

**Note:** For other sales types (e.g. EPROM or CAN MCUs), please contact your ST Sales Office.

### 14.3 DEVELOPMENT TOOLS

STMicroelectronics offers a range of hardware and software development tools for the ST7 microcontroller family. Full details of tools available for

the ST7 from third party manufacturers can be obtained from the STMicroelectronics Internet site → [www.stmcu.com](http://www.stmcu.com).

#### STMicroelectronics Tools

Four types of development tool are offered by ST, all of which connect to a PC via a parallel (LPT) port:

	In-Circuit Emulation	Programming Capability <sup>1)</sup>	Software Included
<b>ST7 Development Kit</b>	Yes. (Same features as HDS2 emulator but no trace/ logic analyzer)	Yes (DIP packages only)	ST7 CD ROM with: – ST7 Assembly toolchain – WGDB7 powerful Source Level Debugger for Win 3.1, Win 95 and NT) – C compiler demo versions – ST Realizer for Win 3.1 and Win 95. – Windows Programming Tools for Win 3.1, Win 95 and NT
<b>ST7 HDS2 Emulator</b>	Yes, powerful emulation features including trace/ logic analyzer	No	
<b>ST7 Programming Board</b>	No	Yes (All packages)	

#### Note:

1. In Situ Programming (ISP) interface for FLASH devices.

**Table 27. STMicroelectronics Development Tools**

Supported Products	Development Kit	HDS2 Emulator	Programming Board
ST72311R6, ST72311R7, ST72311R9 ST72511R6, ST72511R7, ST72511R9 ST72532R4	ST7MDT2-DVP2	ST7MDT2-EMU2B	ST7MDT2-EPB2/EU ST7MDT2-EPB2/US ST7MDT2-EPB2/UK

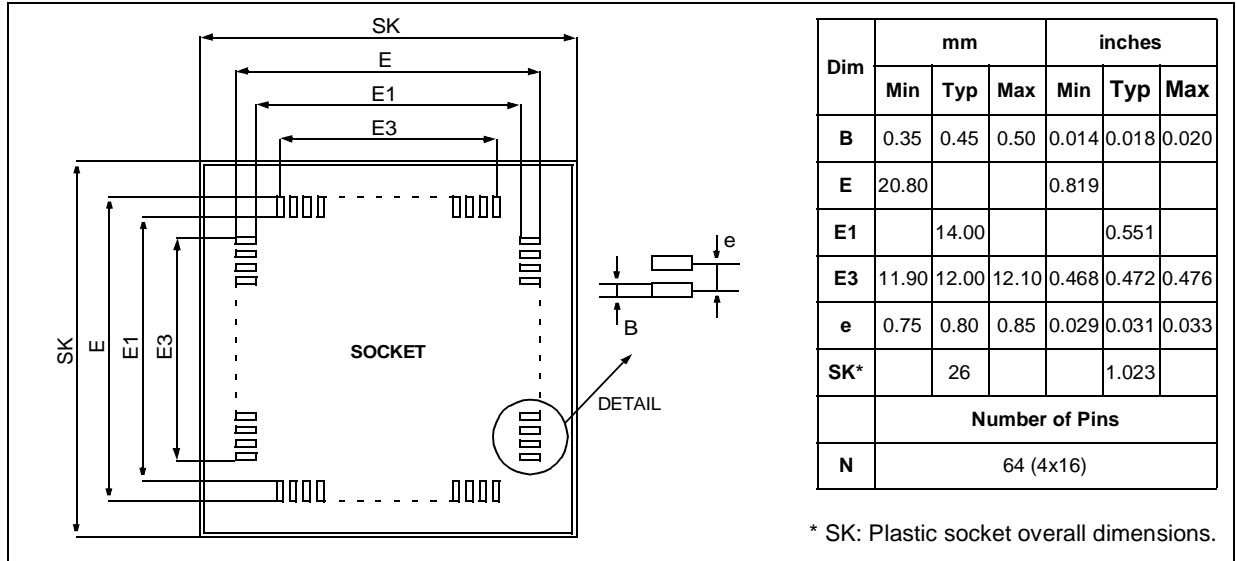
**DEVELOPMENT TOOLS (Cont'd)**

**14.3.1 Package/socket Footprint Proposal**

To solder the TQFP64 device directly on the application board, or to solder a socket for connecting the emulator probe, the application board should provide the footprint described in Figure 94. This footprint allows both configurations:

- Direct TQFP64 soldering
- YAMAICHI IC149-064-008-S5 socket soldering to plug either the emulator probe or an adaptor board with an TQFP64 clamshell socket. This socket is not compatible with TQFP64 package.

**Figure 94. TQFP64 Device And Emulator Probe Compatible Footprint**



**Table 28. Suggested List of TQFP64 Socket Types**

Package / Probe	Adaptor / Socket Reference		Socket type
TQFP64	YAMAICHI	IC51-0644-1240.KS-14584	Clamshell
EMU PROBE	YAMAICHI	IC149-064-008-S5	SMC

## 14.4 ST7 APPLICATION NOTES

IDENTIFICATION	DESCRIPTION
<b>EXAMPLE DRIVERS</b>	
AN 969	SCI COMMUNICATION BETWEEN ST7 AND PC
AN 970	SPI COMMUNICATION BETWEEN ST7 AND EEPROM
AN 971	I <sup>2</sup> C COMMUNICATING BETWEEN ST7 AND M24CXX EEPROM
AN 972	ST7 SOFTWARE SPI MASTER COMMUNICATION
AN 973	SCI SOFTWARE COMMUNICATION WITH A PC USING ST72251 16-BIT TIMER
AN 974	REAL TIME CLOCK WITH ST7 TIMER OUTPUT COMPARE
AN 976	DRIVING A BUZZER THROUGH ST7 TIMER PWM FUNCTION
AN 979	DRIVING AN ANALOG KEYBOARD WITH THE ST7 ADC
AN 980	ST7 KEYPAD DECODING TECHNIQUES, IMPLEMENTING WAKE-UP ON KEYSTROKE
AN1017	USING THE ST7 UNIVERSAL SERIAL BUS MICROCONTROLLER
AN1041	USING ST7 PWM SIGNAL TO GENERATE ANALOG OUTPUT (SINUSOID)
AN1042	ST7 ROUTINE FOR I <sup>2</sup> C SLAVE MODE MANAGEMENT
AN1044	MULTIPLE INTERRUPT SOURCES MANAGEMENT FOR ST7 MCUS
AN1045	ST7 S/W IMPLEMENTATION OF I <sup>2</sup> C BUS MASTER
AN1046	UART EMULATION SOFTWARE
AN1047	MANAGING RECEPTION ERRORS WITH THE ST7 SCI PERIPHERALS
AN1048	ST7 SOFTWARE LCD DRIVER
AN1078	PWM DUTY CYCLE SWITCH IMPLEMENTING TRUE 0% & 100% DUTY CYCLE
AN1082	DESCRIPTION OF THE ST72141 MOTOR CONTROL PERIPHERAL REGISTERS
AN1083	ST72141 BLDC MOTOR CONTROL SOFTWARE AND FLOWCHART EXAMPLE
AN1105	ST7 PCAN PERIPHERAL DRIVER
AN1129	PERMANENT MAGNET DC MOTOR DRIVE.
AN1130	AN INTRODUCTION TO SENSORLESS BRUSHLESS DC MOTOR DRIVE APPLICATIONS WITH THE ST72141
AN1148	USING THE ST7263 FOR DESIGNING A USB MOUSE
AN1149	HANDLING SUSPEND MODE ON A USB MOUSE
AN1180	USING THE ST7263 KIT TO IMPLEMENT A USB GAME PAD
AN1276	BLDC MOTOR START ROUTINE FOR THE ST72141 MICROCONTROLLER
AN1321	USING THE ST72141 MOTOR CONTROL MCU IN SENSOR MODE
AN1325	USING THE ST7 USB LOW-SPEED FIRMWARE V4.X
AN1445	USING THE ST7 SPI TO EMULATE A 16-BIT SLAVE
AN1475	DEVELOPING AN ST7265X MASS STORAGE APPLICATION
AN1504	STARTING A PWM SIGNAL DIRECTLY AT HIGH LEVEL USING THE ST7 16-BIT TIMER
<b>PRODUCT EVALUATION</b>	
AN 910	PERFORMANCE BENCHMARKING
AN 990	ST7 BENEFITS VERSUS INDUSTRY STANDARD
AN1077	OVERVIEW OF ENHANCED CAN CONTROLLERS FOR ST7 AND ST9 MCUS
AN1086	U435 CAN-DO SOLUTIONS FOR CAR MULTIPLEXING
AN1150	BENCHMARK ST72 VS PC16
AN1151	PERFORMANCE COMPARISON BETWEEN ST72254 & PC16F876
AN1278	LIN (LOCAL INTERCONNECT NETWORK) SOLUTIONS
<b>PRODUCT MIGRATION</b>	
AN1131	MIGRATING APPLICATIONS FROM ST72511/311/214/124 TO ST72521/321/324
AN1322	MIGRATING AN APPLICATION FROM ST7263 REV.B TO ST7263B
AN1365	GUIDELINES FOR MIGRATING ST72C254 APPLICATION TO ST72F264
<b>PRODUCT OPTIMIZATION</b>	

IDENTIFICATION	DESCRIPTION
AN 982	USING ST7 WITH CERAMIC RESONATOR
AN1014	HOW TO MINIMIZE THE ST7 POWER CONSUMPTION
AN1015	SOFTWARE TECHNIQUES FOR IMPROVING MICROCONTROLLER EMC PERFORMANCE
AN1040	MONITORING THE VBUS SIGNAL FOR USB SELF-POWERED DEVICES
AN1070	ST7 CHECKSUM SELF-CHECKING CAPABILITY
AN1324	CALIBRATING THE RC OSCILLATOR OF THE ST7FLITE0 MCU USING THE MAINS
AN1477	EMULATED DATA EEPROM WITH XFLASH MEMORY
AN1502	EMULATED DATA EEPROM WITH ST7 HDFLASH MEMORY
AN1529	EXTENDING THE CURRENT & VOLTAGE CAPABILITY ON THE ST7265 VDDF SUPPLY
AN1530	ACCURATE TIMEBASE FOR LOW-COST ST7 APPLICATIONS WITH INTERNAL RC OSCILLATOR
<b>PROGRAMMING AND TOOLS</b>	
AN 978	KEY FEATURES OF THE STVD7 ST7 VISUAL DEBUG PACKAGE
AN 983	KEY FEATURES OF THE COSMIC ST7 C-COMPILER PACKAGE
AN 985	EXECUTING CODE IN ST7 RAM
AN 986	USING THE INDIRECT ADDRESSING MODE WITH ST7
AN 987	ST7 SERIAL TEST CONTROLLER PROGRAMMING
AN 988	STARTING WITH ST7 ASSEMBLY TOOL CHAIN
AN 989	GETTING STARTED WITH THE ST7 HIWARE C TOOLCHAIN
AN1039	ST7 MATH UTILITY ROUTINES
AN1064	WRITING OPTIMIZED HIWARE C LANGUAGE FOR ST7
AN1071	HALF DUPLEX USB-TO-SERIAL BRIDGE USING THE ST72611 USB MICROCONTROLLER
AN1106	TRANSLATING ASSEMBLY CODE FROM HC05 TO ST7
AN1179	PROGRAMMING ST7 FLASH MICROCONTROLLERS IN REMOTE ISP MODE (IN-SITU PROGRAMMING)
AN1446	USING THE ST72521 EMULATOR TO DEBUG A ST72324 TARGET APPLICATION
AN1478	PORTING AN ST7 PANTA PROJECT TO CODEWARRIOR IDE
AN1527	DEVELOPING A USB SMARTCARD READER WITH ST7SCR
AN1575	ON-BOARD PROGRAMMING METHODS FOR XFLASH AND HDFLASH ST7 MCUS

## 15 SUMMARY OF CHANGES

Description of the changes between the current release of the specification and the previous one.

Revision	Main Changes	Date
2.7	Changed <a href="#">Figure 80</a> Changed Watchdog and Halt mode Option to read "Watchdog reset on Halt" in <a href="#">Section 14</a> .	April-03

**Notes:**

Information furnished is believed to be accurate and reliable. However, STMicroelectronics assumes no responsibility for the consequences of use of such information nor for any infringement of patents or other rights of third parties which may result from its use. No license is granted by implication or otherwise under any patent or patent rights of STMicroelectronics. Specifications mentioned in this publication are subject to change without notice. This publication supersedes and replaces all information previously supplied. STMicroelectronics products are not authorized for use as critical components in life support devices or systems without the express written approval of STMicroelectronics.

The ST logo is a registered trademark of STMicroelectronics

©2003 STMicroelectronics - All Rights Reserved.

Purchase of I<sup>2</sup>C Components by STMicroelectronics conveys a license under the Philips I<sup>2</sup>C Patent. Rights to use these components in an I<sup>2</sup>C system is granted provided that the system conforms to the I<sup>2</sup>C Standard Specification as defined by Philips.

STMicroelectronics Group of Companies

Australia - Brazil - Canada - China - Finland - France - Germany - Hong Kong - India - Israel - Italy - Japan  
Malaysia - Malta - Morocco - Singapore - Spain - Sweden - Switzerland - United Kingdom - U.S.A.

<http://www.st.com>