

# INTEGRATED CONNECTOR MODULES

## 0826-1X4T-23-F Gigabit Ethernet MagJack® 1 x 4 with LEDs



LED1 POLARITY			LED2 POLARITY		
PIN 13	PIN 14	COLOR	PIN 15	PIN 16	COLOR
			+	-	ORANGE
-	+	YELLOW	-	+	GREEN

### ELECTRICAL CHARACTERISTICS @ 25°C

#### URNS RATIO

TP1	1CT : 1CT ±2%
TP2	1CT : 1CT ±2%
TP3	1CT : 1CT ±2%
TP4	1CT : 1CT ±2%

#### CL @ 100kHz/100mVRMS

8mA DC BIAS 350µH MIN.

#### INS. LOSS

0.1MHz TO 1MHz	-1.1 dB MAX
1MHz TO 65MHz	-0.5 dB MAX
65MHz TO 100MHz	-0.8 dB MAX
100MHz TO 125MHz	-1.2 dB MAX

#### RET. LOSS (MIN) @ 100 OHMS ±15%

0.5MHz-40MHz	-18 dB
40MHz-100MHz	-12+20LOG(f/80MHz) dB

#### CM TO CM REJ

100kHz - 100MHz -30 dB MIN

#### CM TO DM REJ

100kHz - 100MHz -35 dB MIN

#### HIPOT (Isolation Voltage):

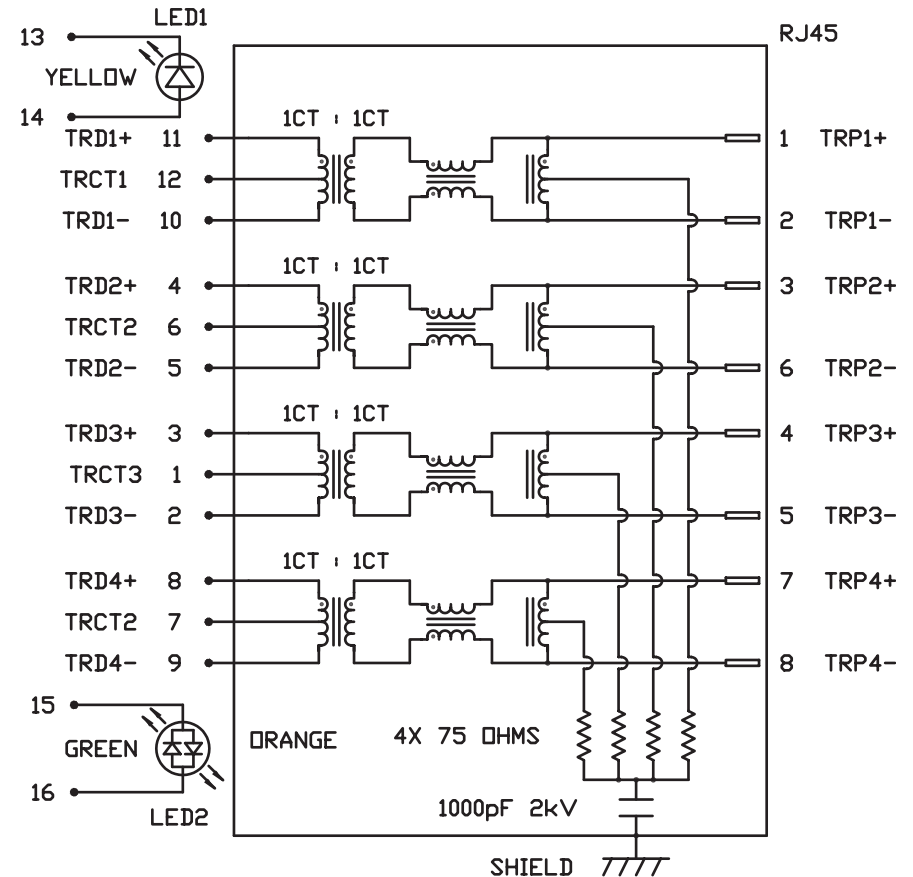
1500 Vrms or 2250 VDC

#### LED 1

V <sub>F</sub> (FORWARD VOLTAGE)	IF=20mA	YELLOW	2.1V TYP.
λ <sub>D</sub> (DOMINANT WAVELENGTH)	IF=20mA	YELLOW	590nm TYP.

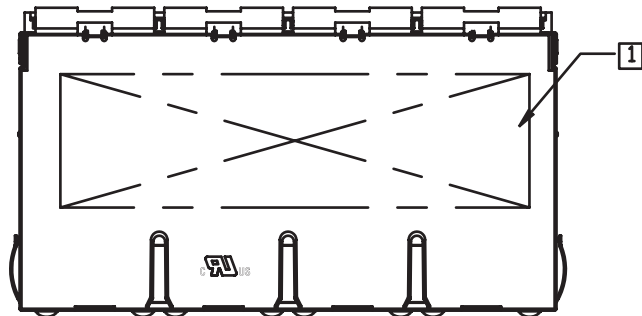
#### LED 2

V <sub>F</sub> (FORWARD VOLTAGE)	IF=20mA	GREEN	2.2V TYP.
λ <sub>D</sub> (DOMINANT WAVELENGTH)	IF=20mA	ORANGE	2.0V TYP.
		GREEN	565nm TYP.
		ORANGE	610nm TYP.



# INTEGRATED CONNECTOR MODULES

## 0826-1X4T-23-F Gigabit Ethernet MagJack® 1 x 4 with LEDs



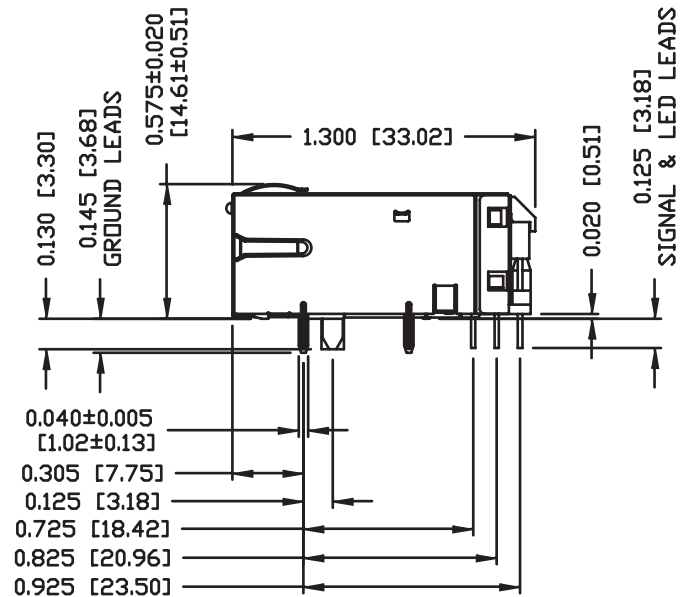
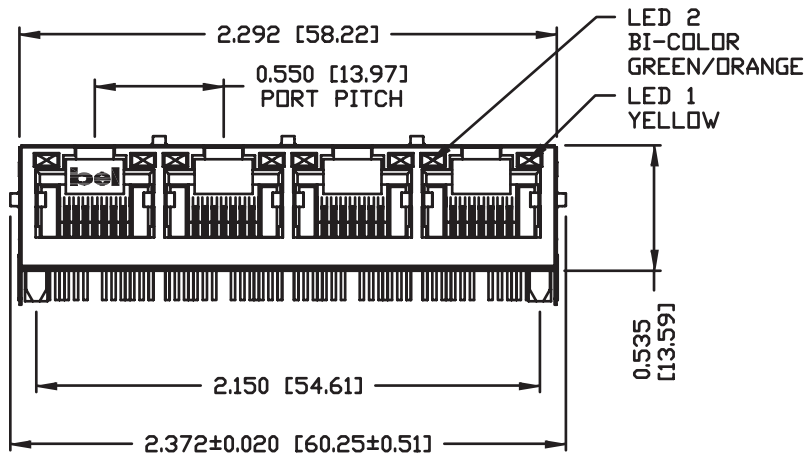
**NOTES:**

- PLASTIC HOUSING: THERMOPLASTIC PBT  
FLAMMABILITY RATING UL 94V-0
- CONTACTS PLATING: 50 MICRO-INCH HARD GOLD PLATING
- PINS: TIN-COATED COPPER WIRE, DIA 0.018 INCH.
- METAL SHIELD: NICKEL PLATED ON COPPER ALLOY.  
(ALL GROUND LEADS ARE SOLDER DIPPED)

**1** MARK PART WITH MFG LOGO, MFG NAME, PART NUMBER AND DATE CODE.

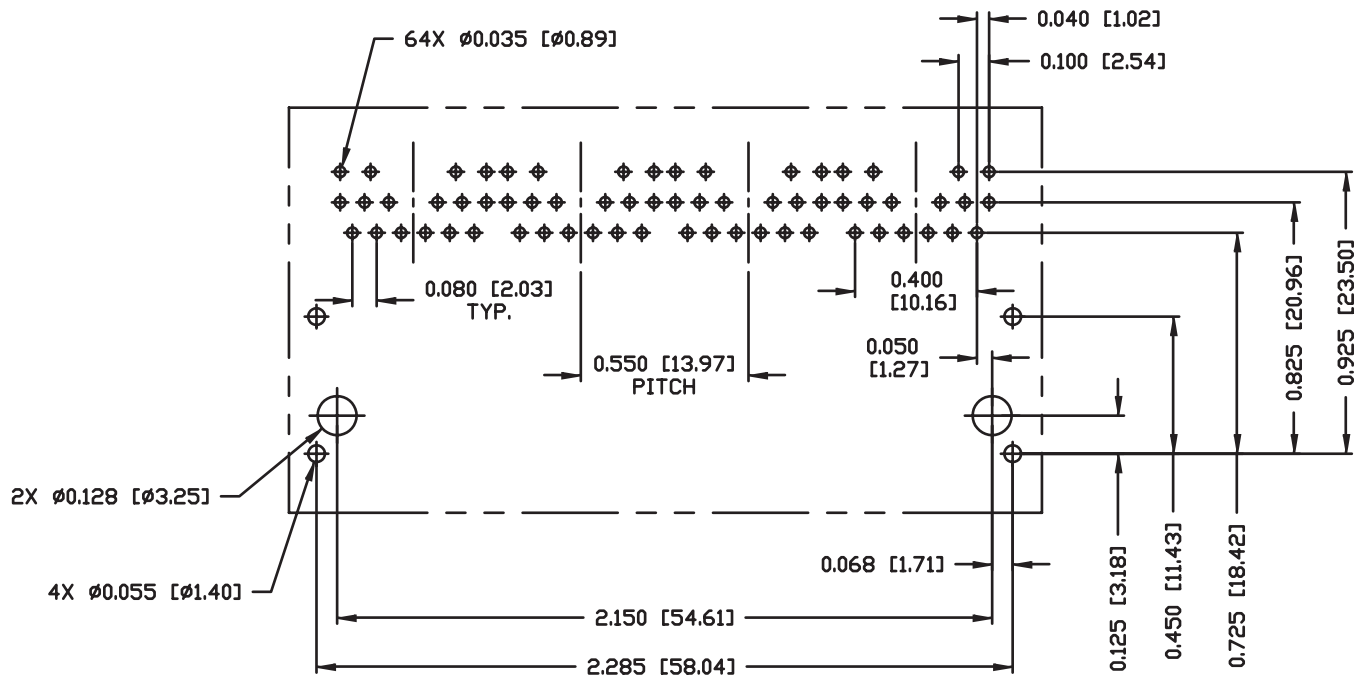
US UL RECOGNIZED - FILE #E196366 AND E169987.

RoHS COMPLIANCE, PER EU DIRECTIVE 2002/95/EC.



# INTEGRATED CONNECTOR MODULES

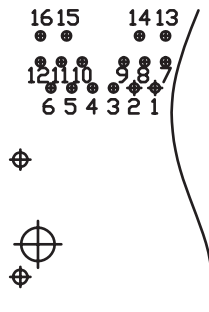
## 0826-1X4T-23-F Gigabit Ethernet MagJack® 1 x 4 with LEDs



RECOMMENDED PCB FOOTPRINT  
COMPONENT SIDE VIEW

# INTEGRATED CONNECTOR MODULES

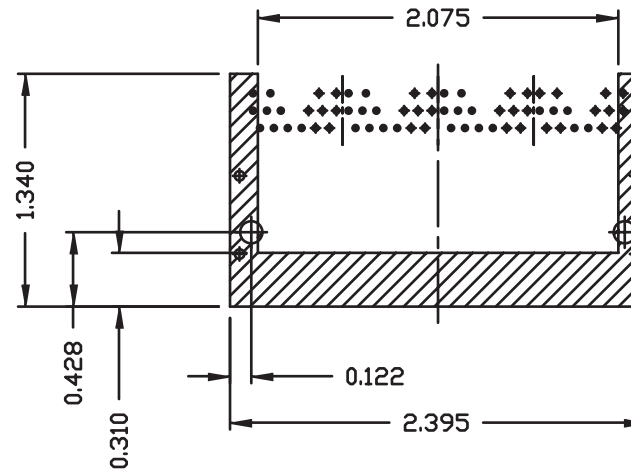
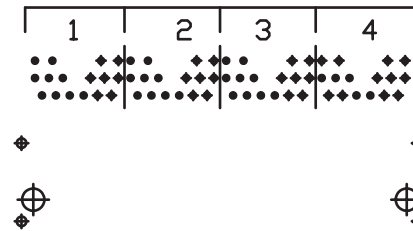
## 0826-1X4T-23-F Gigabit Ethernet MagJack® 1 x 4 with LEDs



PIN-OUT INFORMATION  
(COMPONENT SIDE VIEW)

12	TRCT1
11	TRD1+
10	TRD1-
9	TRD4-
8	TRD4+
7	TRCT2
6	TRCT2
5	TRD2-
4	TRD2+
3	TRD3+
2	TRD3-
1	TRCT3

PORT ASSIGNMENT  
(COMPONENT SIDE VIEW)

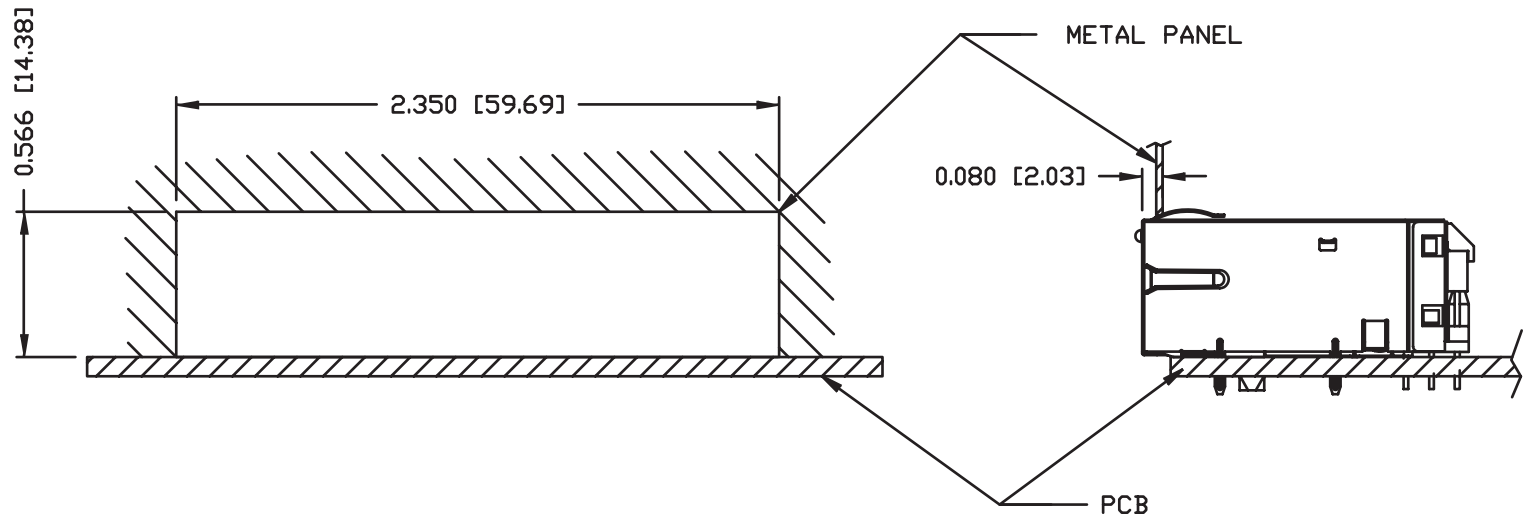


THE SHADED AREA ON THE CUSTOMER BOARD ARE RECOMMENDED TO BE CLEAR OFF ANY VIA HOLE OR COMPONENT PAD.

**INTEGRATED CONNECTOR MODULES**  
**0826-1X4T-23-F Gigabit Ethernet MagJack® 1 x 4 with LEDs**



SUGGESTED PANEL OPENING



**NOTES:**

THE DISTANCE OF PANEL INSIDE SURFACE RELATIVE TO FRONT SURFACE OF PART IS ONLY A SUGGESTION. IN CASE THIS DISTANCE IS DIFFERENT, THE REQUIRED PANEL OPENING DIMENSIONS CHANGE ACCORDINGLY.

**PACKING INFORMATION**

PACKING TRAY : 0200-9999-B4 (TOP)  
 0200-9999-B5 (BOTTOM)

PACKING QUANTITY : 24 PCS FINISHED GOODS PER TRAY  
 10 TRAYS (240 PCS FINISHED GOODS) PER CARTON BOX

NOTE : CARDBOARDS ARE PLACED BETWEEN LAYERS OF PACKING TRAY INSIDE CARTON BOX  
 (INCLUDE THE UPPERMOST AND LOWERMOST TRAY)