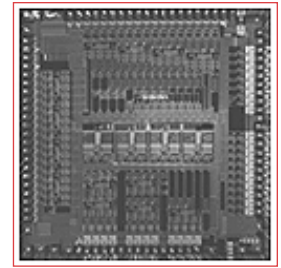




BCM3210B PRODUCT Brief



BCM3210B DOCSIS CABLE MODEM TERMINATION SYSTEM

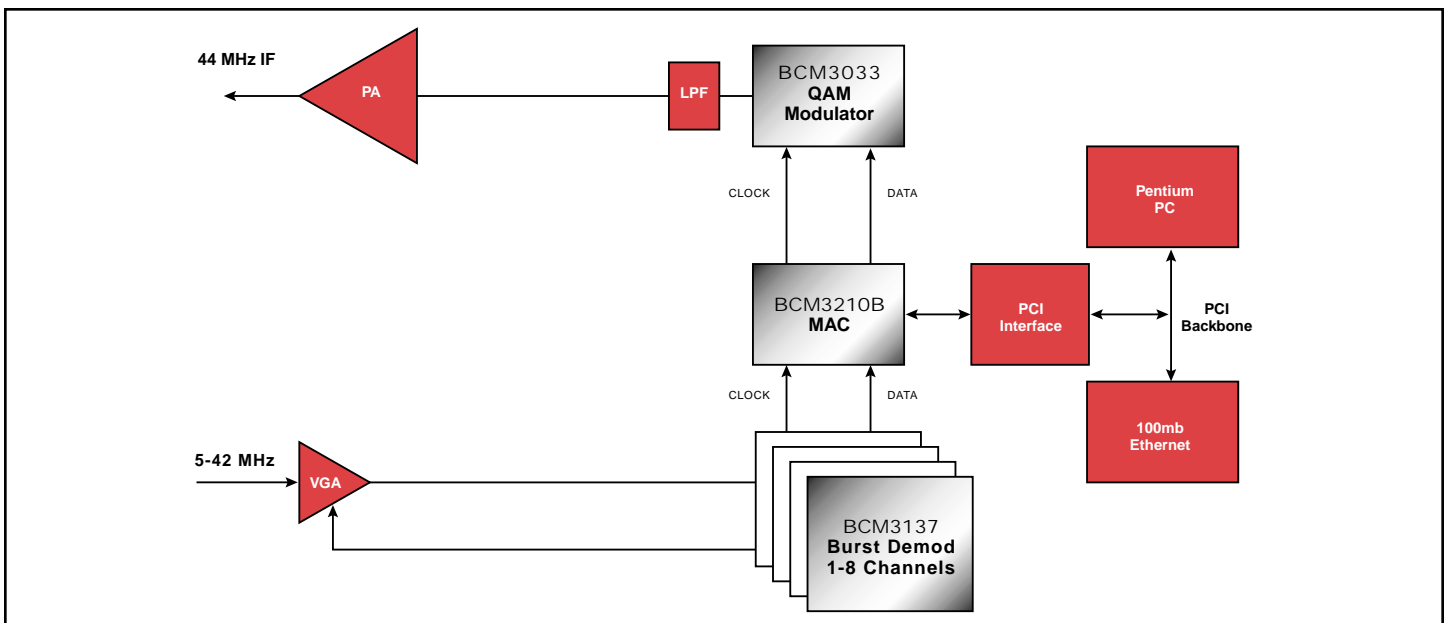
BCM3210B FEATURES

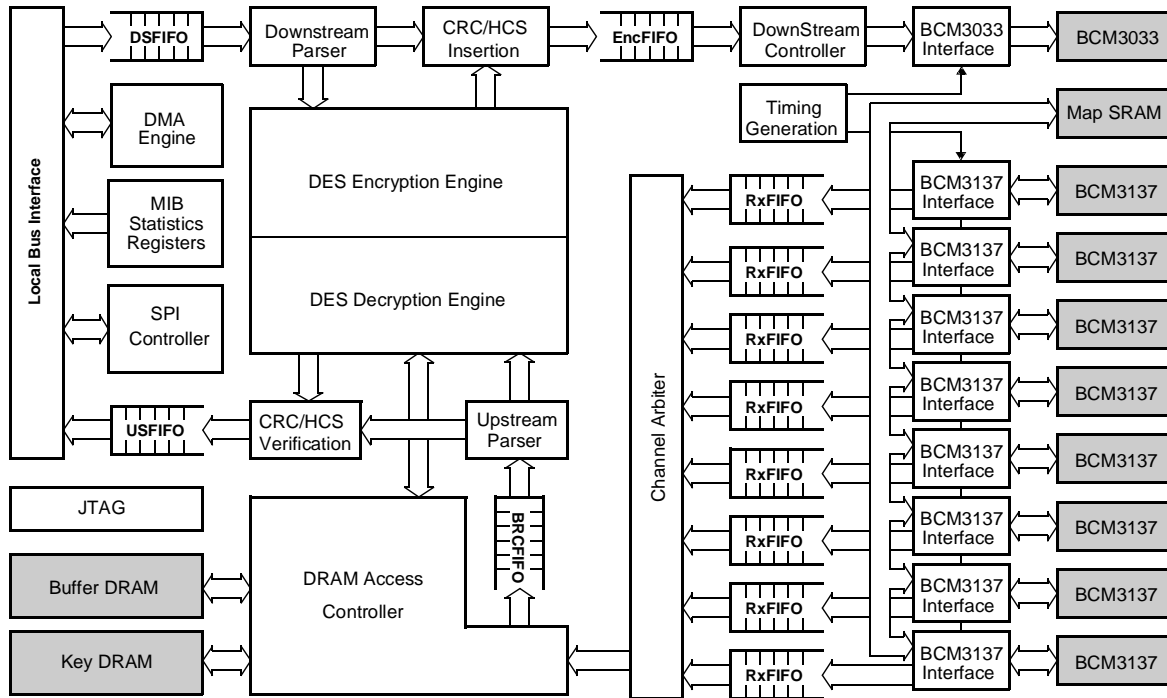
- Full DOCSIS 1.0 and 1.1 CMTS MAC including baseline privacy
- Supports 64/256 QAM (annex A and B) downstream and QPSK/16 QAM upstream at DOCSIS data rates
- Supports 1 downstream and up to 8 upstream channels simultaneously
- Direct interface to
 - BCM3033 QAM modulator
 - BCM3137 Burst QPSK/16 QAM demodulator
- DMA support for 2 downstream and 1 upstream queue
- Interfaces to generic i960 CPU or PLX9080 for bridging to a PCI bus
- Serial control interface master SPI compatible
- JTAG test interface
- 3.3V interface
- 352-pin BGA package

SUMMARY OF BENEFITS

- Provides full DOCSIS 1.0 and 1.1 compliant CMTS silicon solution for head-end line card or HFC interface
 - Reduces overall system cost
 - Simplifies system, board and software design
 - Enables Quality of Service (QoS) features
- Real-time hardware processing of all Media Access Control (MAC) functions for DOCSIS compliant CMTS
 - Master timebase generation
 - Downstream SYNC message insertion
 - MAC header HCS and payload CRC-32 generation and checking
 - MPEG framing
 - Extract upstream and downstream parameters
 - Upstream channel parser and concentrator
 - On-the-fly demodulator programming
- Baseline privacy encryption and decryption
 - Supports for 16 SIDs and 56-bit DES encryption keys

DOCSIS-Compliant Cable Modem Head-End Block Diagram





The Broadcom® **BCM3210B** was designed to control the upstream and downstream communications channel. It was intended for use in conjunction with the physical layer devices; BCM3033 (QAM modulator) and BCM3137 (burst demodulator) by providing the head end control mechanisms for both the upstream and downstream traffic.

The **BCM3210B** supports DOCSIS 1.0 and 1.1 standard enabling the deployment of systems that are capable of supporting multiple datatypes (voice, video, data) simultaneously and on a prioritized basis. These extensions to the DOCSIS specification are supported on the subscriber side in the BCM3350 (Single Chip Cable Modem).

The **BCM3210B** also handles these tasks:

- Intermediate buffering
- Encryption/decryption
- Timing control

- Communications channel access
- System provisioning
- Support system debug

The **BCM3210B** provides a slave port enabling the external microprocessor to:

- Configure parameters
- Install encryption/decryption keys
- Access status registers in the BCM3033 and BCM3137

The **BCM3210B** can also be daisy chained with another (slave) **BCM3210B** to enable a higher ratio of upstream to downstream channels.

Ordering Information:

BCM3210BKTB 56-bit DES version

Broadcom, the pulse logo and QAMLink are registered trademarks of Broadcom Corporation and/or its subsidiaries in the United States and certain other countries.

For more information please contact us at:
 Phone: 949-450-8700, FAX: 949-450-8710
 Email: info@broadcom.com



Visit our web site at: www.broadcom.com