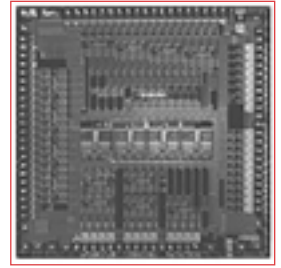




BCM4301 PRODUCT Brief



BCM4301 802.11B MAC/BASEBAND

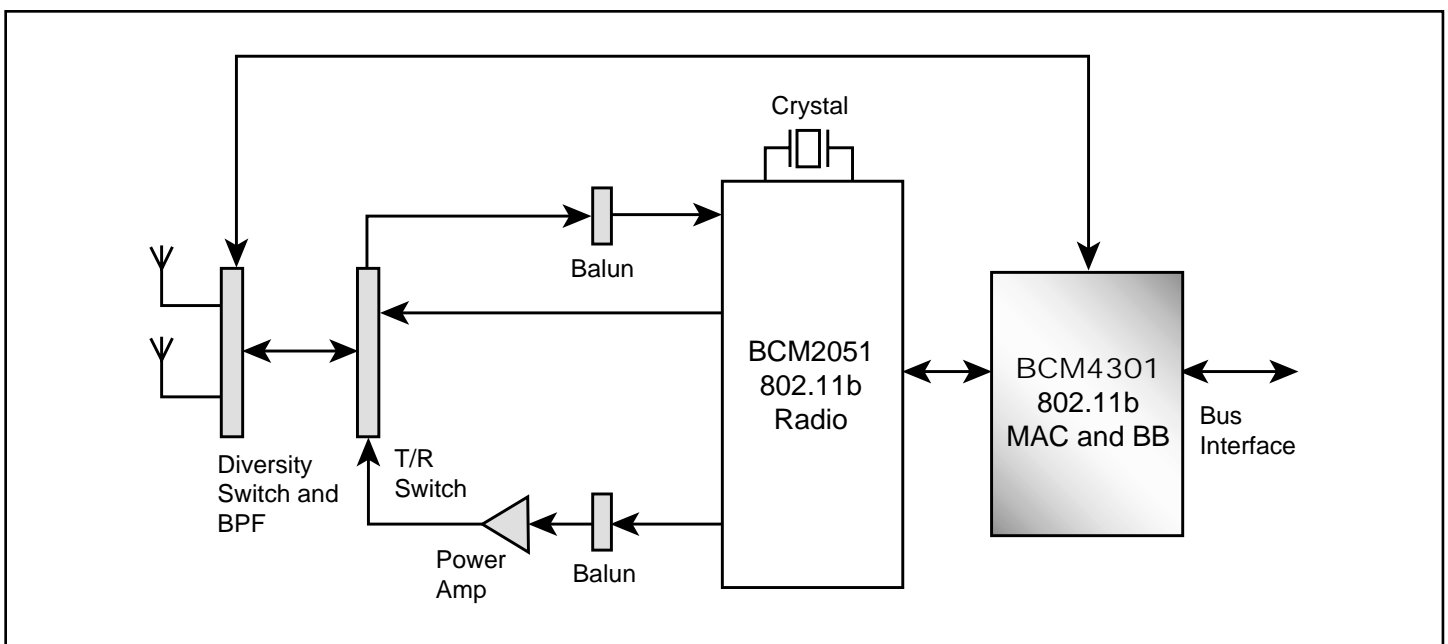
BCM4301 FEATURES

- **IEEE 802.11b MAC and baseband for use with the BCM2051**
- **WHQL certified drivers for Windows XP, Windows Millennium Edition, Windows 2000, and Windows 98SE**
- **Meets PCI power management interface v1.1 (ACPI)**
- **IEEE 802.11b**
 - IEEE 802.11b compliant MAC and baseband
 - Interfaces to BCM2051 802.11b Single Chip Direct Conversion Radio
 - WECA Wi-Fi November 2001 compliant
 - 24-bit IV and 40-bit key WEP encryption support
 - 24-bit IV and 104-bit key WEP encryption support
 - 128-bit IV and 128-bit key WEP2 encryption support
 - Software and hardware support for 128-bit OCB mode AES
 - IEEE 802.1x and LEAP Support
 - Programmable 1, 2, 5.5, and 11 Mbps data rate
 - Dynamic power management under driver control
- **3.3/1.8V supply, 3/5V PCI I/O**
- **196-ball PBGA package**

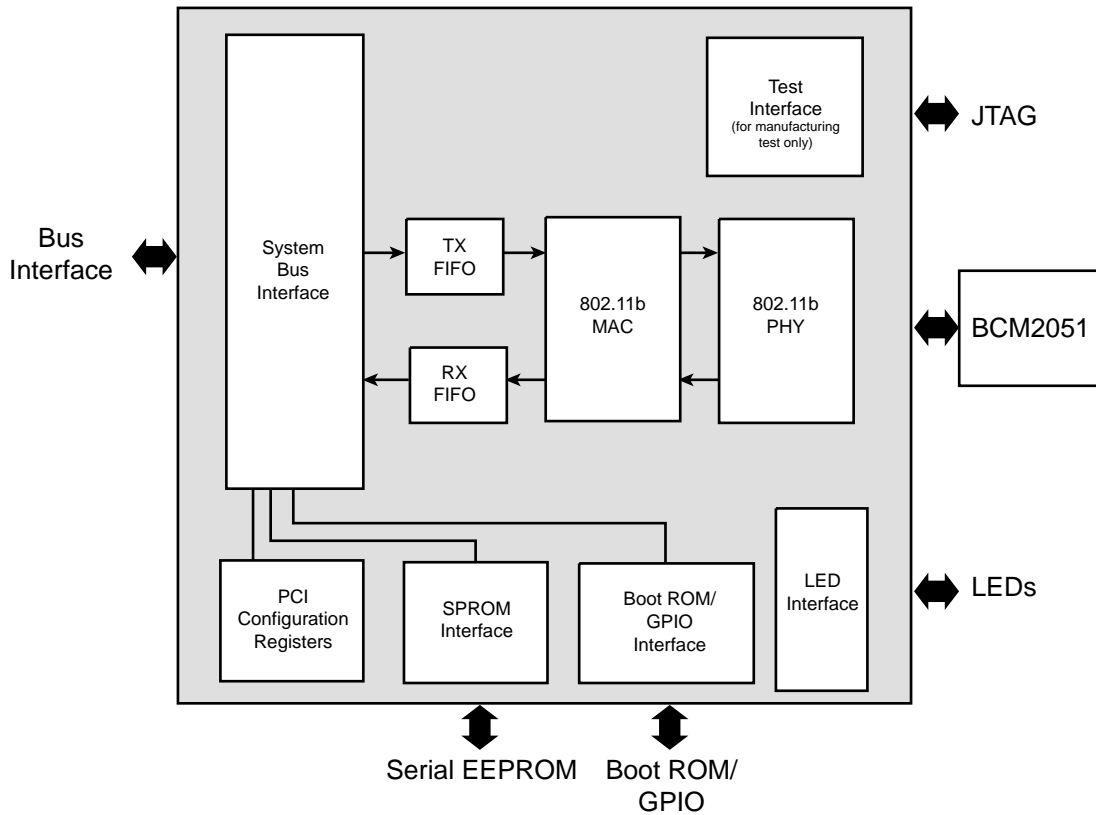
SUMMARY OF BENEFITS

- **Fully integrated 802.11b MAC/baseband for use in:**
 - PCI, Mini PCI, Cardbus, PCMCIA, and Compact Flash adapters.
- **Represents the highest level of integration for portable Internet communications functions.**
- **Provides the lowest cost 802.11b system.**
- **Includes WHQL-certified drivers for Windows® XP, Windows® ME, Windows® 2000 and Windows® 98SE .**
- **All drivers are portable for embedded operating systems.**
- **High level of integration with direct conversion radio architecture minimizes external circuitry leading to lowest cost, lowest power, smallest footprint implementation.**
- **Supports industry-standardized encryption algorithms provide secure communications.**

BCM4301 System Diagram



BCM4301 Block Diagram



The **BCM4301** provides IEEE 802.11b MAC and baseband functions and interfaces to the BCM2051 to provide wireless LAN connectivity supporting data rates from 1 Mbps to 11 Mbps. Broadcom's direct conversion architecture virtually eliminates the additional external components typically required for 802.11b implementations, resulting in significant cost, power, and footprint savings. Additionally, industry-standardized WEP and WEP2 encryption coupled with IEEE 802.1x support is provided to ensure the security of transmitted data.

Ordering Info:

BCM4301KPF

Broadcom® and the pulse logo® are trademarks of Broadcom Corporation and/or its subsidiaries in the United States and certain other countries. All other trademarks are the property of their respective owners.

For more information please contact us at:
 Phone: 949-450-8700, FAX: 949-450-8710
 Email: info@broadcom.com



Visit our web site at: www.broadcom.com

© 2001 by BROADCOM CORPORATION. All rights reserved.

4301-PB00-R-11.9.01

BROADCOM CORPORATION
 16215 Alton Parkway, P.O. Box 57013
 Irvine, California 92619-7013