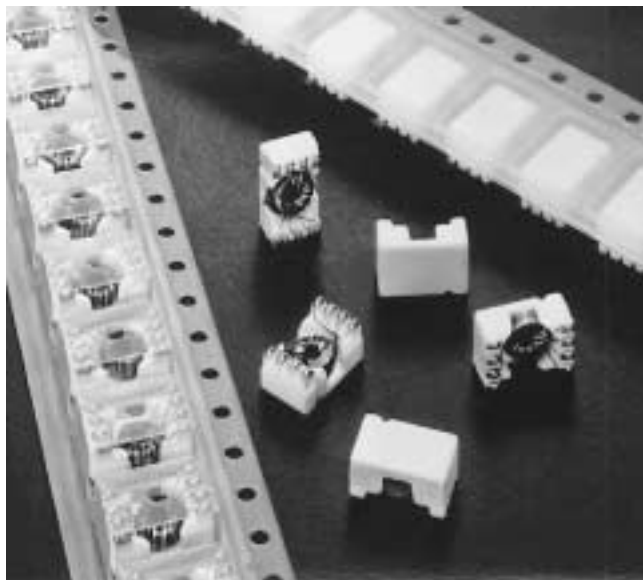


# Surface Mount Data Line EMI Filters



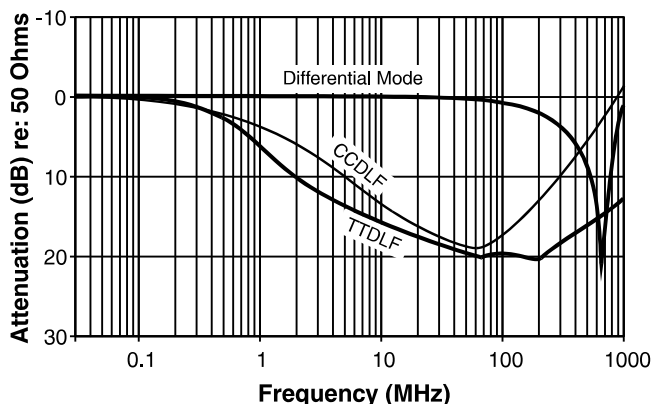
These surface mount filters are designed to virtually eliminate the problem of conducted EMI in data line applications. They provide exceptional common mode noise attenuation from 15 MHz to 300 MHz while passing signal line data frequencies below 300 MHz with minimal attenuation.

These low resistance filters have been designed for excellent electrical isolation, environmental stability, and low cost. Their flat top construction is compatible with auto insertion equipment.

Coilcraft data line EMI filters come in 10, 8, 4, 3 and 2-line versions with DC current capacity of 500 or 100 mA.

Coilcraft **Designer's Kit D103** contains all values shown plus through-hole versions. To order, please contact Coilcraft or visit <http://order.coilcraft.com>.

## Typical Response\*



\*measured on HP8753D network analyzer.

Part Number	Lines	Max. Current (mA)	L/winding Min. ( $\mu$ H)	DCR Max. (mOhms)	Isolation (Vrms)	Color Dot
CCDLF 10000	10	100	5	250	300	Brown
CCDLF 8000	8	100	5	250	300	Black
CCDLF 8500	8	500	5	200	300	Green
TTDLF 4000	4	100	5	250	300	Yellow
TTDLF 4500	4	500	5	200	300	Blue
TTDLF 3000	3	100	5	250	300	Orange
TTDLF 3500	3	500	5	200	300	Violet
TTDLF 2000	2	100	5	250	300	Red
TTDLF 2500	2	500	5	200	300	Green

Operating temperature range  $-40^{\circ}\text{C}$  to  $+85^{\circ}\text{C}$   
Electrical specifications at  $25^{\circ}\text{C}$

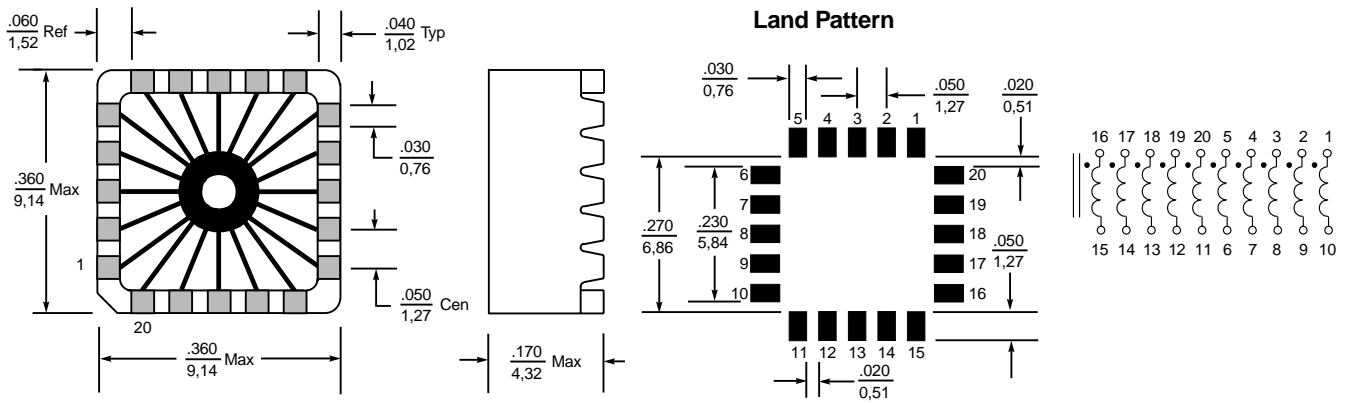
# Coilcraft

Specifications subject to change without notice. Document 123-1 Revised 9/26/01

1102 Silver Lake Road Cary, Illinois 60013 Phone 847/639-6400 Fax 847/639-1469  
E-mail [info@coilcraft.com](mailto:info@coilcraft.com) Web <http://www.coilcraft.com>

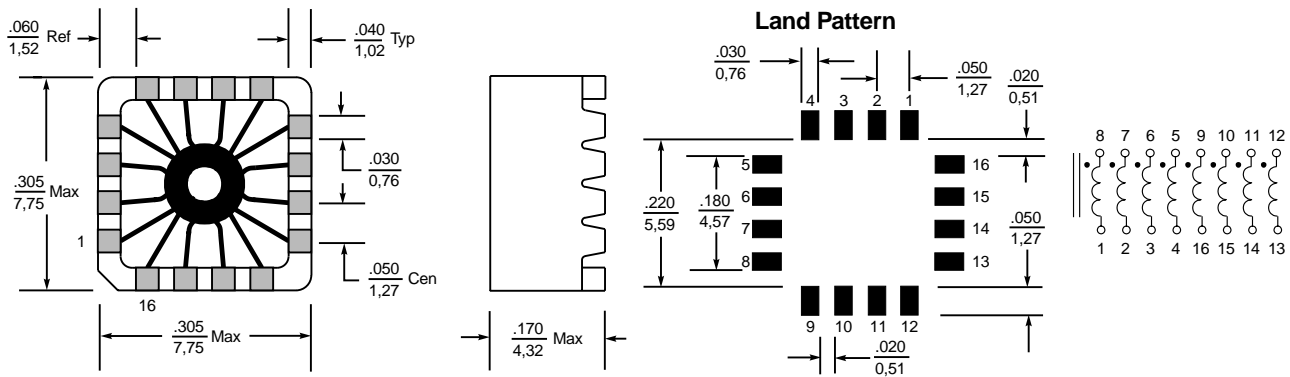
# Surface Mount Data Line EMI Filters

## CCDLF 10000



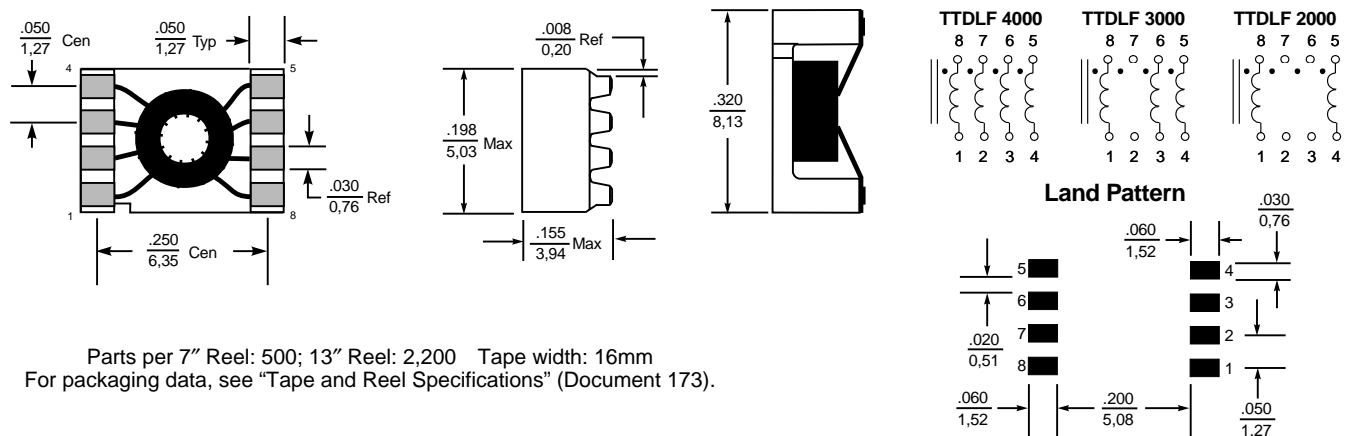
Parts per 13" reel: 1,000 Tape width: 16mm  
 For packaging data, see "Tape and Reel Specifications" (Document 173).

## CCDLF 8000



Parts per 13" reel: 1,000 Tape width: 16mm  
 For packaging data, see "Tape and Reel Specifications" (Document 173).

## TTDLF Series



Parts per 7" Reel: 500; 13" Reel: 2,200 Tape width: 16mm  
 For packaging data, see "Tape and Reel Specifications" (Document 173).



Specifications subject to change without notice. Document 123-2 Revised 12/7/99