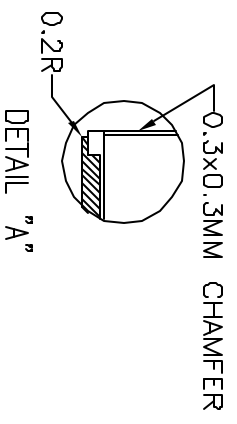
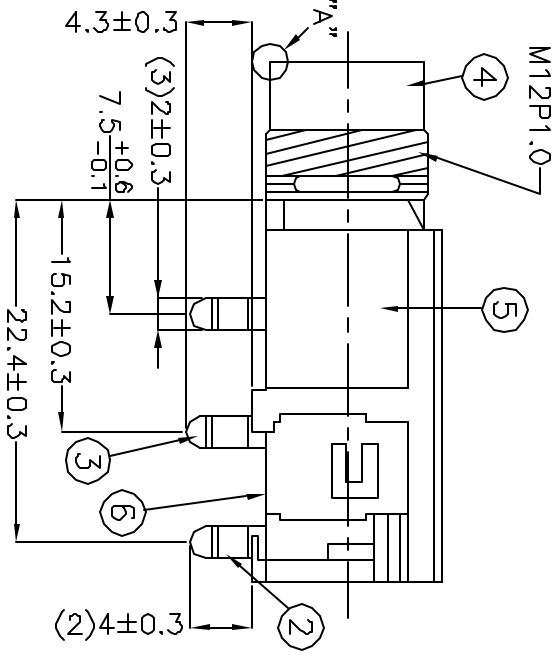
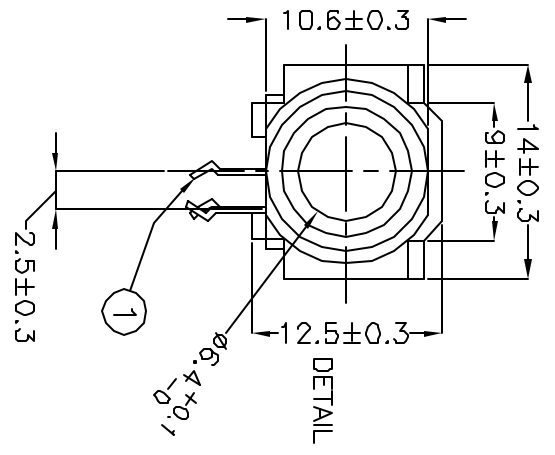


HOLE LAYOUT
(TOP VIEW)



| NO. | DESCRIPTION | MATERIAL | FINISH |
|-----|--------------------|----------------------|---------------|
| 6 | COVER (UNDERNEATH) | PBT | BLACK COLOR |
| 5 | HOUSING | PBT | BLACK COLOR |
| 4 | BUSHING | BRASS | NICKEL PLATED |
| 3 | TIP SHUNT | 0.3T BRASS | SILVER PLATED |
| 2 | TIP SPRING | 0.5T PHOSPHOR BRONZE | SILVER PLATED |
| 1 | EARTH TERMINAL | 0.3T PHOSPHOR BRONZE | SILVER PLATED |

SPECIFICATIONS:
 RATING: 12V DC @ 1A
 WITHSTAND VOLTAGE: 500V AC FOR 1 MINUTE
 INSERTION FORCE: BEFORE TEST OR INITIAL: 0.5KG TO 3KG
 AFTER LIFE TEST: 0.3KG TO 3KG
 EXTRACTION FORCE: BEFORE TEST OR INITIAL: 0.5KG TO 3KG
 AFTER LIFE TEST: 0.3KG TO 3KG
 INSULATION RESISTANCE: 100 MEGA-OHMS MIN. @ 500V DC
 CONTACT RESISTANCE: 100mA AND @ FREQ. OF 1KHZ
 BEFORE TEST OR INITIAL: 30 MILLI-OHMS MAX
 AFTER LIFE TEST: 60 MILLI-OHMS MAX AT BELOW 100mA AND @ FREQ. OF 1KHZ

LIFE TEST:
 5,000 CYCLES OF INSERTION AND EXTRACTION @ 20 TO 30 CYCLES PER MINUTE UNDER NO LOAD

PC FILE NAME: MJ-6323G.DWG
 COPYRIGHT 1997 BY CUI INC.

0.3x0.3MM CHAMFER
 0.2R
 DETAIL "A"

SCHMATIC

1
 2
 4

TITLE: 6.4mm AUDIO JACK-MONO

PART NO: MJ-6323G UNITS: MILLIMETERS

DRAWN BY: Todd R. White APPROVED BY:

9815 SW Allen, Suite 103
 Beaverton, OR 97006
 Phone: (503) 643-4899
 800-276-4899
 Fax: (503) 372-1266
 Website: www.cui.com

SCALE: 2X