



ME SERIES

PC BOARD MOUNTING FILTERS



INTRODUCTIONS

- Direct PC board mounting for easy installation and space saving.
- ME2: UL, CSA, VDE, SEV
ME3D/P: UL, CSA, VDE, SEV, SEMKO, DEMKO, NEMKO, FIMKO, TUV
ME3: UL, CSA, VDE, SEV, SEMKO, DEMKO, NEMKO, FIMKO
ME3G:
ME3B:
ME3DA/GA: UL, CSA, VDE, SEV, SEMKO
ME4: UL, CSA, TUV
15ME2/ME3: UL, CSA, VDE, SEV, SEMKO
02ME4E2: UL, CSA, VDE, SEV, SEMKO

SPECIFICATIONS

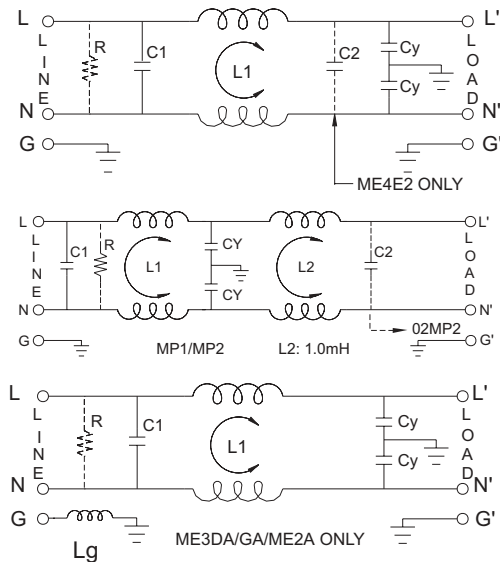
- Maximum leakage current each
line-to-ground @ 115VAC 60Hz: 0.20mA
0.45mA (02ME4E1)
@ 250VAC 50Hz: 0.40mA
0.80mA (02ME4E1)
- Hipot rating (one minute)
line-to-ground: 2250VDC
line-to-line: 1450VDC
- Operating frequency: 50/60Hz
- Rated voltage: 115/250VAC

COMPONENTS

| PART NO. | C1 (uF) | L1 (mH) | PART NO. | C1 (uF) | L1 (mH) |
|--------------|---------|---------|--------------|---------|---------|
| 01ME2 | 0.1 | 3.7 | 03ME3G-R/(S) | 0.1 | 2.5 |
| 01ME3/(S) | 0.033 | 5 | 03ME4E | 0.47 | 15 |
| 02ME3G/(S) | 0.1 | 7 | 06ME2 | 0.1 | 0.4 |
| 02ME3GA/(S) | | | 06ME3/(S) | 0.033 | 0.6 |
| 02ME3G-R/(S) | | | 06ME3D/(S) | 0.047 | 0.53 |
| 02ME4E1 | 0.47 | 25 | 06ME3DA/(S) | | |
| *02ME4E2 | 0.22 | 25 | 06ME3G/(S) | | |
| *02MP1 | | 20 | 06ME3GA/(S) | 0.1 | 0.8 |
| *02MP2 | 0.1 | 25 | 06ME3G-R/(S) | 0.1 | 0.1 |
| 03ME2 | | 1.3 | 10ME2 | | |
| 03ME2A | 0.1 | 2.5 | 10ME3/(S) | 0.033 | 0.18 |
| 03ME3/(S) | 0.033 | 2.3 | 10ME3G/(S) | 0.1 | 0.2 |
| 03ME3G/(S) | 0.1 | 2.5 | 10ME3 | | |
| *03ME3GA/(S) | | | ** 15ME2 | 0.1 | 0.12 |
| *03ME3B | | | ** 15ME3/(S) | | |
| 03ME3DA/(S) | 0.047 | 1.2 | | | |
| 03ME3D/(S) | | | | | |

- * UL, CSA approved to 2.5A 115/250VAC
- 03ME3D/(S): 03ME3D, 03ME3D(S)
- VDE, SEV, SEMKO approved to 10A/250VAC

ELECTRICAL SCHEMATIC

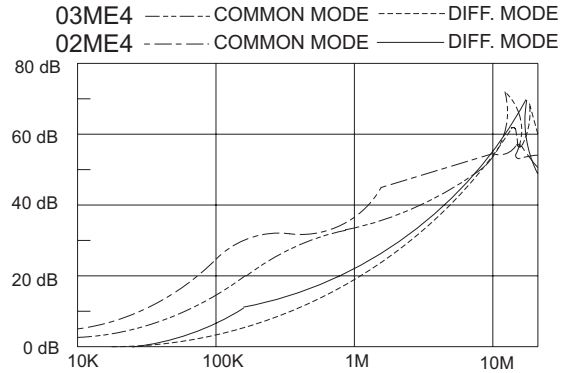
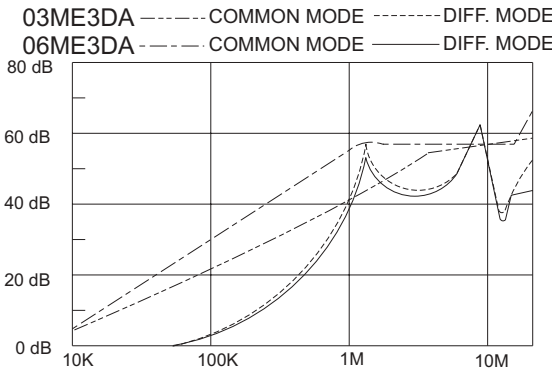
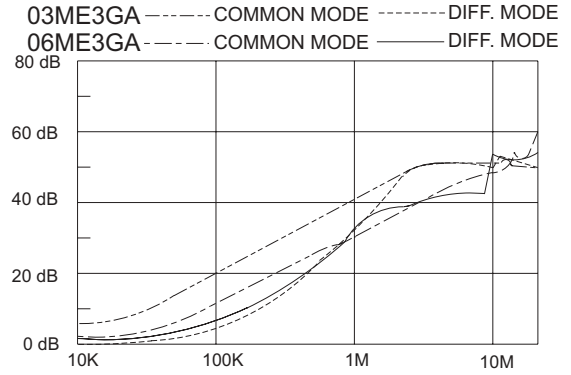
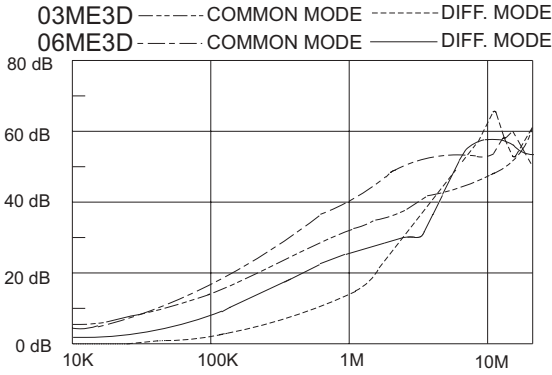
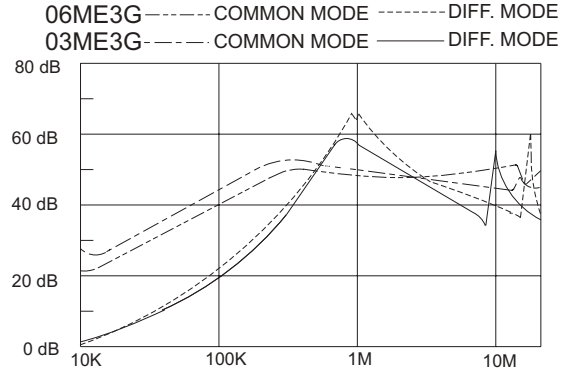
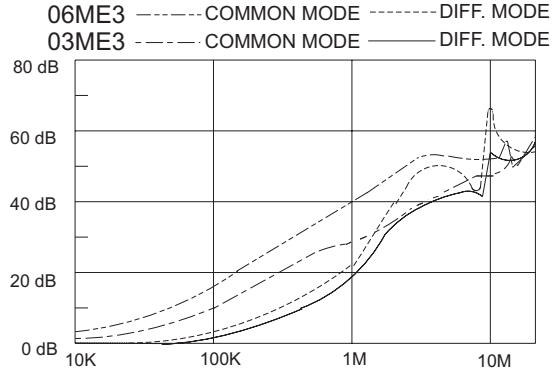


- R: 1MΩ (ME3) C2: 0.1μF (ME4E2/MP2)
- R: 560KΩ (ME4E) R: 330KΩ (ME4E2)
- Cy: 2200pF
- Cy: 4700pF (ME4E1)
- Lg: 18.3μH

MINIMUM INSERTION LOSS IN dB

| COMMON MODE (L-G) IN 50 OHM SYSTEM | | | | | | | | | | | | | | | |
|------------------------------------|----------------|---------------|-----|-----|-----|----|----|------------|----------------|---------------|----|-----|-----|----|----|
| TYPE | CURRENT RATING | FREQUENCY-MHz | | | | | | TYPE | CURRENT RATING | FREQUENCY-MHz | | | | | |
| | | .15 | .50 | 1.0 | 5.0 | 10 | 30 | | | .15 | 50 | 1.0 | 5.0 | 10 | 30 |
| 01ME2 | 1A | 20 | 25 | 32 | 47 | 50 | 52 | 03ME3G | 3A | 20 | 25 | 30 | 38 | 40 | 40 |
| 01ME3/(S) | 1A | 28 | 35 | 40 | 40 | 40 | 40 | 03ME3GA | 3A | 20 | 23 | 30 | 40 | 40 | 40 |
| 02ME3G/(S) | 2A | 28 | 35 | 28 | 38 | 40 | 40 | 06ME2 | 6A | 12 | 18 | 20 | 35 | 40 | 50 |
| 02ME3GA/(S) | 2A | 20 | 25 | 35 | 40 | 40 | 40 | 06ME3 | 6A | 12 | 20 | 25 | 40 | 45 | 45 |
| 02ME4E1 | 2A | 35 | 45 | 45 | 35 | 35 | 35 | 06ME3D | 6A | 10 | 20 | 20 | 30 | 35 | 40 |
| 02ME4E2 | 2.5/2A | 30 | 40 | 40 | 35 | 35 | 40 | 06ME3DA | 6A | 8 | 10 | 15 | 30 | 30 | 40 |
| 02ME4/P | 2A | 35 | 45 | 45 | 35 | 35 | 35 | 06ME3G | 6A | 10 | 15 | 20 | 35 | 40 | 40 |
| 02MP1 | 2.5/2A | 45 | 60 | 60 | 45 | 40 | 25 | 06ME3GA | 6A | 10 | 15 | 20 | 30 | 35 | 40 |
| 02MP2 | 2.5/2A | 50 | 55 | 55 | 50 | 40 | 25 | 10ME3/(S) | 10A | 4 | 10 | 15 | 30 | 38 | 45 |
| 03ME2 | 3A | 10 | 15 | 20 | 35 | 40 | 40 | 10ME3G/(S) | 10A | 4 | 12 | 15 | 20 | 30 | 30 |
| 03ME3 | 3A | 22 | 30 | 35 | 45 | 45 | 48 | 15ME2 | 15A/10A | 2 | 8 | 10 | 20 | 25 | 40 |
| 03ME3B | 3A | 12 | 20 | 28 | 40 | 40 | 40 | 15ME3/(S) | 15A/10A | 2 | 8 | 10 | 20 | 25 | 40 |
| 03ME3D | 3A | 18 | 28 | 39 | 48 | 48 | 55 | | | | | | | | |
| 03ME3DA | 3A | 15 | 25 | 30 | 40 | 40 | 45 | | | | | | | | |
| 03ME4/P | 3A | 30 | 40 | 40 | 35 | 35 | 35 | | | | | | | | |

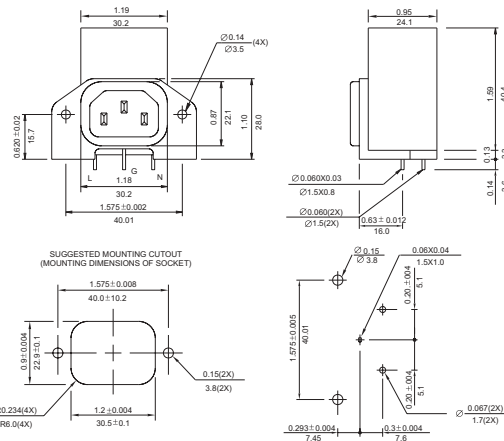
INSERTION LOSS (TYPICAL)



MECHANICAL CONSTRUCTION



ME2/ME2A

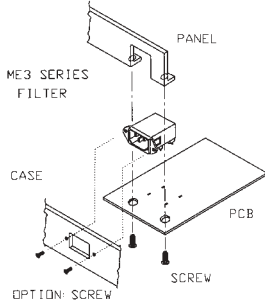


UNIT: INCH
mm

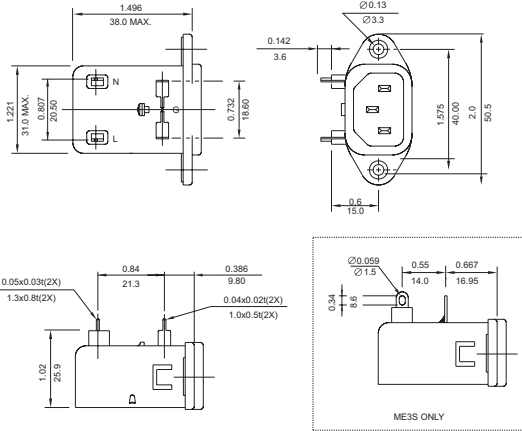
◆ Proposal of installation for ME3 series
please follow these steps to install:

1. Insert filter to PCB and soldering.
2. Screw panel and filter on PCB.
3. Assemble case with PCB with panel and filter.

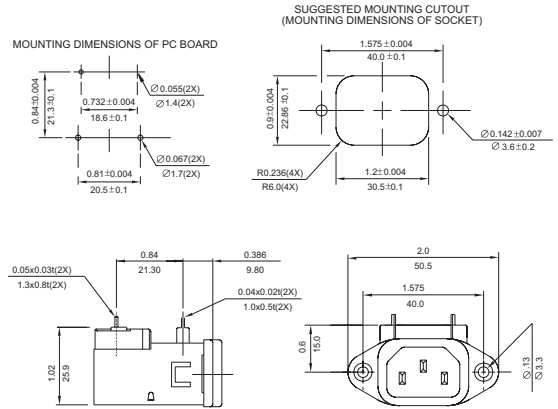
Note: Socket of filter should be assembled with mounting hole of case tightly for easy insertion of power cord.
Screw from the outside of case to fix filter for more tight assembly. (option)



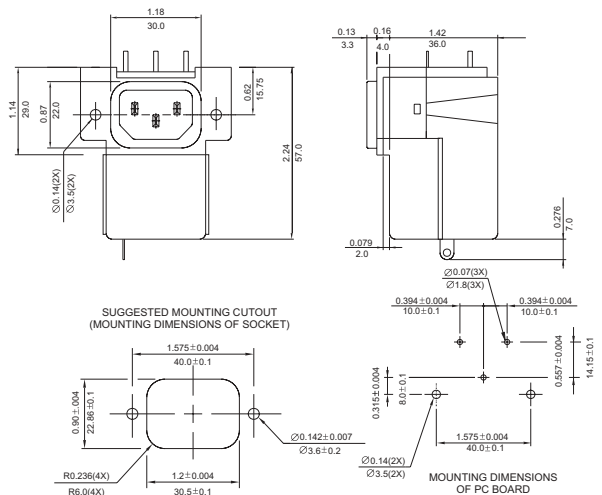
ME3



ME3DA



ME4E/MP



UNIT: INCH
mm