

Preliminary

GENERAL DESCRIPTION

The EM83040A is a dot matrix LCD driver which is fabricated by low power CMOS technology. This chip includes 80- bits shift register , 80 bits data latch and 80 bits level driver. A LCD RAM inside can be mapping to LCD signal. It converts RAM data to parallel data and output lcd waveform to LCD.

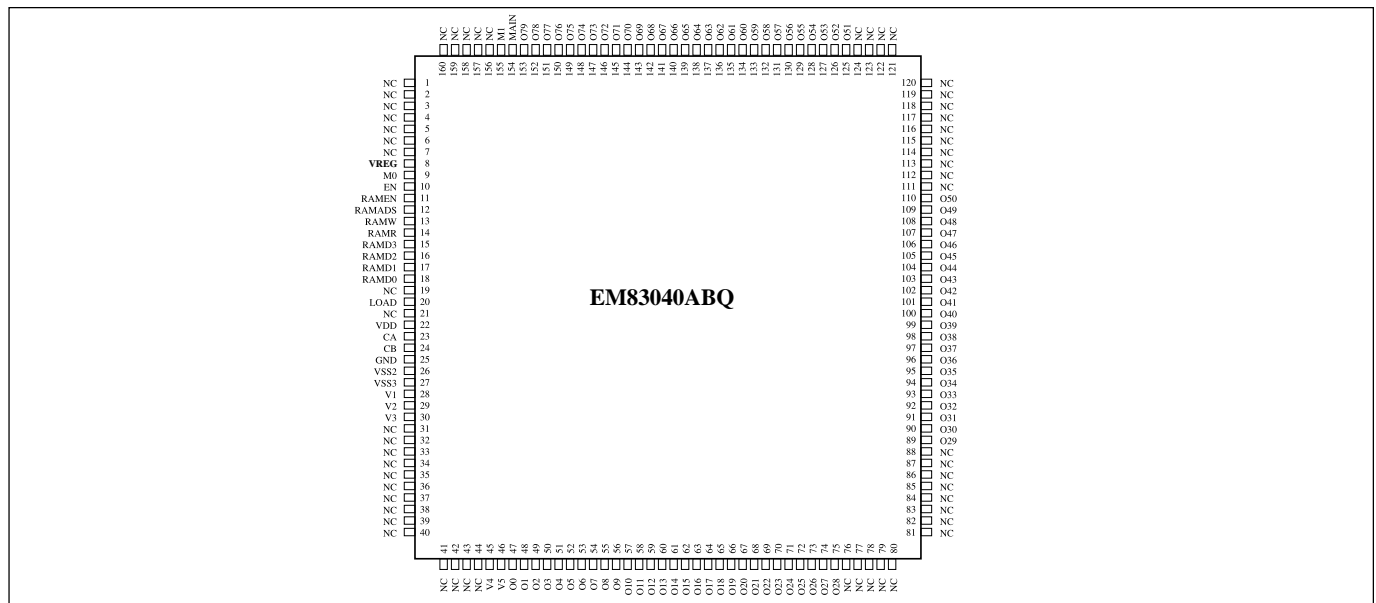
FEATURES

- (1) Supply power 2.6~6V
- (2) Internal RAM : 2.5k x 4 bits
- (3) RAM can be controlled by eight signals including four bit data bus.
- (4) LCD drive voltage :<13V
- (5) Duty: 1/32, 1/48, 1/80
- (6) Build in DC converter double and triple
- (7) Modularized function: connect to another 83040 to extent LCD matrix
- (8) One DC converter enabled and other 83040 can shared with this.
- (9) Internal regulator output for DC converter controlled by control register. (2.5V to 4.6V, 8 level)
- (10) Chip form (EM83040AH), 128 pin package (14mmx20mm EM83040AAQ), 160 pin package (EM83040ABQ)
- (11) Bias : 1/5 for 32 common, 1/7 for 48 common, 1/9 for 80 common. Fixed by internal circuit.
- (12) Internal RC clock about 250 KHz.

APPLICATION

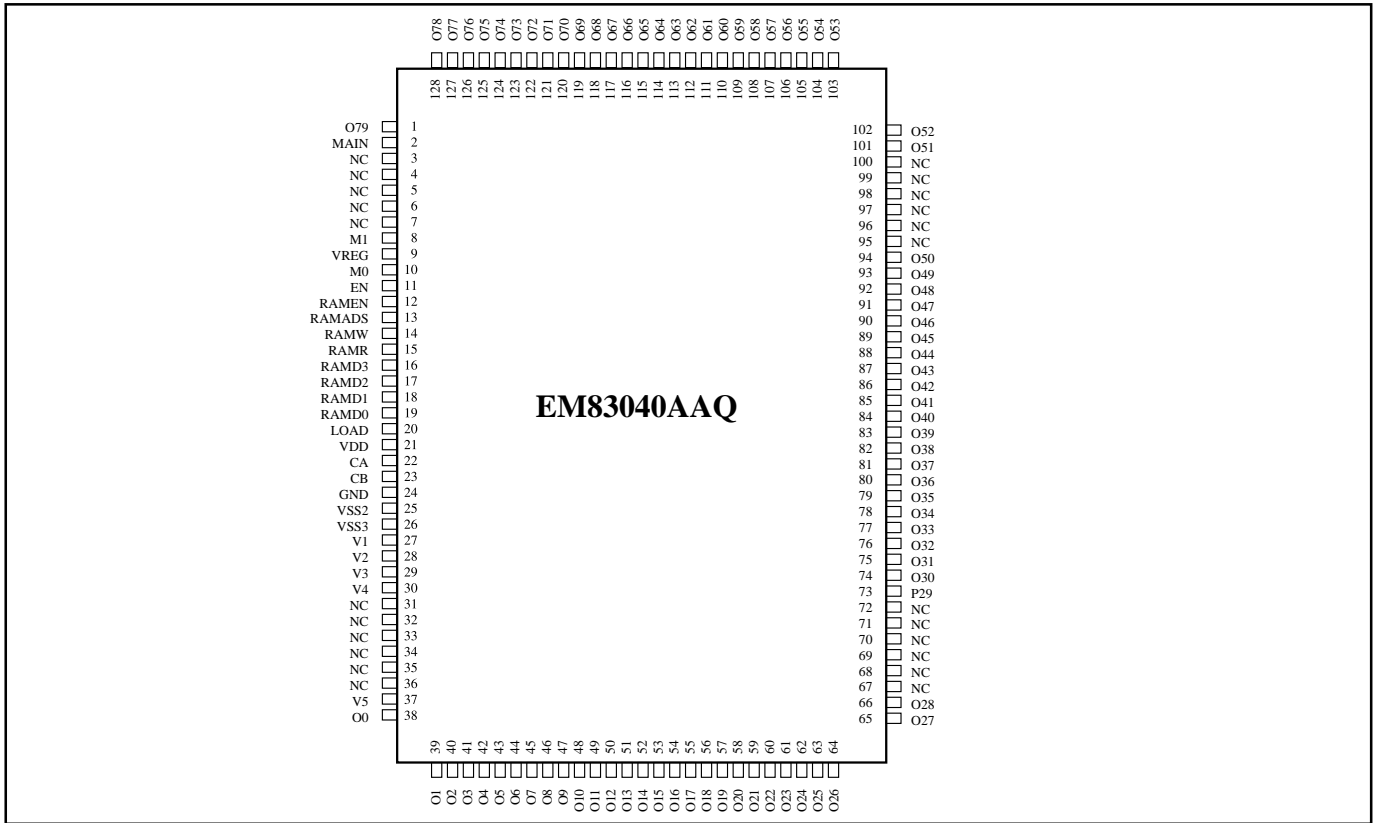
- (1) Data Bank
- (2) LCD toy
- (3) Education computer

PIN ASSIGNMENTS

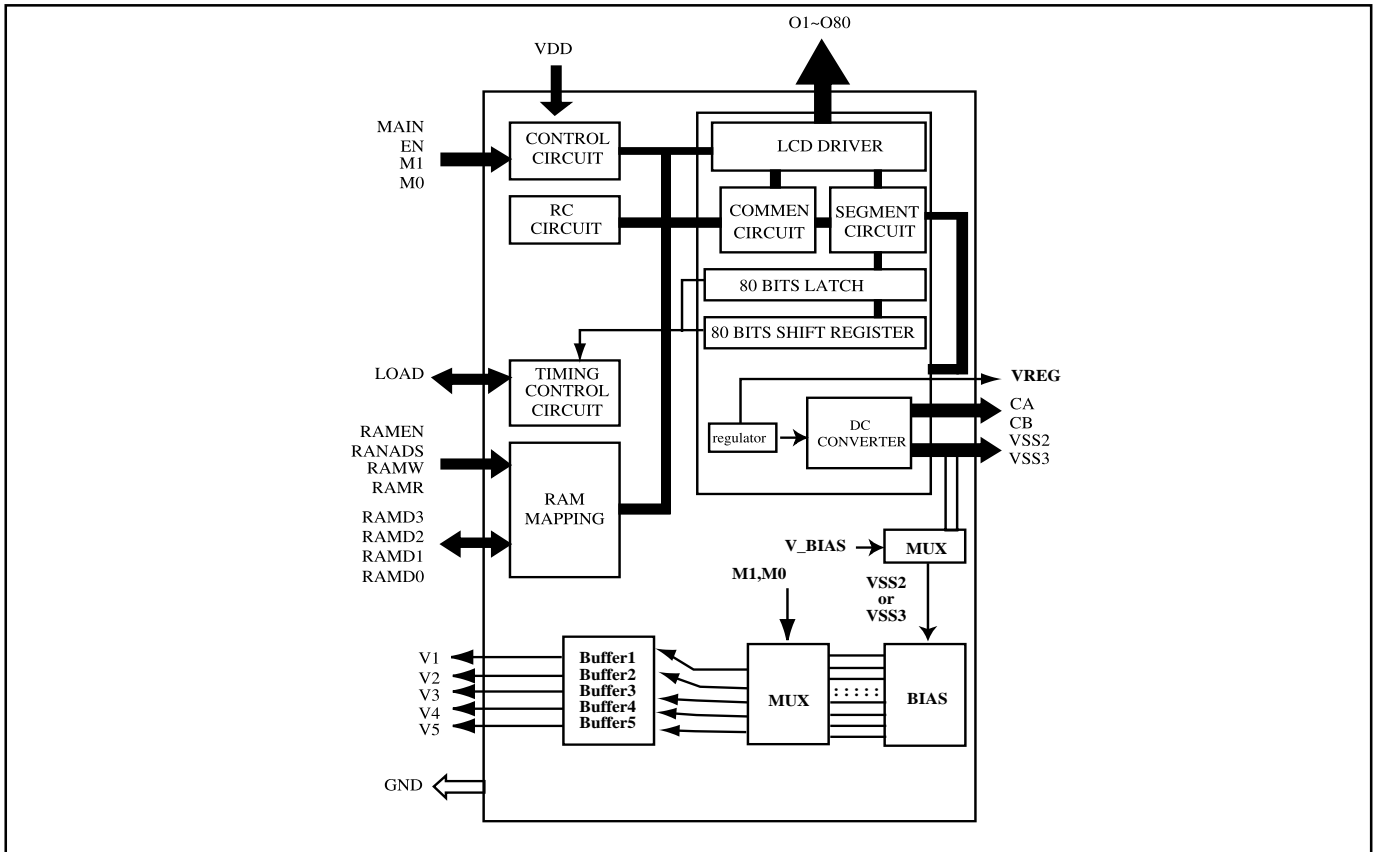


* This specification are subject to be changed without notice.

Preliminary



BLOCK DIAGRAM



Preliminary

PIN DESCRIPTIONS

Symbol	I/O	Function
VDD	Power	
GND	power	Ground
VSS3	power	EN=0 and MAIN=1, 3*regulator output, EN=1 ,VSS3=VDD
VSS2	Power	EN=0 and MAIN=1, 2*regulator output, EN=1, VSS2=VDD
MAIN	I	Master or slave control signal. MAIN=1 ,master unit MAIN=0 , slave unit
EN	I	This pin control whole chip power. This chip will work when this pin is connected to ground. And whole chip will disable when connect to VDD voltage. EN=0 and MAIN=1 the chip will generate VSS2, VSS3, LOAD signal and internal RC clock. EN=1, standby mode
M1	I	Mode select
M0	I	Mode select
RAMEN		RAM read and write control signal. 1 => can not read and write. 0=> can read and write.
RAMADS		RAM data select signal 1=> RAM Data , 0=>Address
RAMW		RAM write signal, low write
RAMR		RAM read signal, low read
RAMD3~RAMD0		RAM data or address bus
LOAD	I/O	LCD load signal between one COMMON signal to another . MAIN=1 , the master unit will output LOAD signal. MAIN=0 , the slave will accept the signal from master unit.
VREG	power	regulator output, connect a capacitor to ground.
CA	I	Coupling capacitor
CB	I	Coupling capacitor
V1~V5	I	Reference voltage input ,highest V1..lowest V5
O1~O80	O	LCD waveform output

FUNCTION DESCRIPTIONS

(1)User can use MAIN pin to chose master unit or slave unit.

MAIN	Unit	Function
1	MASTER	Generate these signals Load, VSS2, VSS3, Internal RC clock
0	SLAVE	Accept these signals Load, V1, V2, V3, V4, V5

(2)User can use M1,M2 to chose four modes. As followed

MASTER	MAIN	M1	M0	Segment	Common	Bias
Mode1	1	0	0	Reserved for test		
Mode2	1	0	1		O(80:1)=C(80:1)	1/9
Mode3	1	1	0	O(32:1)=S(32:1)	O(80:33)=C(48:1)	1/7
Mode4	1	1	1	O(48:1)=S(48:1)	O(80:49)=C(32:1)	1/5

Preliminary

SLAVE	MAIN	M1	M0	Segment	Common	
Mode1	0	0	0	Reserved for test		
Mode2	0	0	1	O(80:1)=S(80:1)		1/9
Mode3	0	1	0	O(80:1)=S(80:1)		1/7
Mode4	0	1	1	O(80:1)=S(80:1)		1/5

* S=Segment, C=common

* (M1, M0) for master must same as slave unit.

(3)RAM control

Writer mode

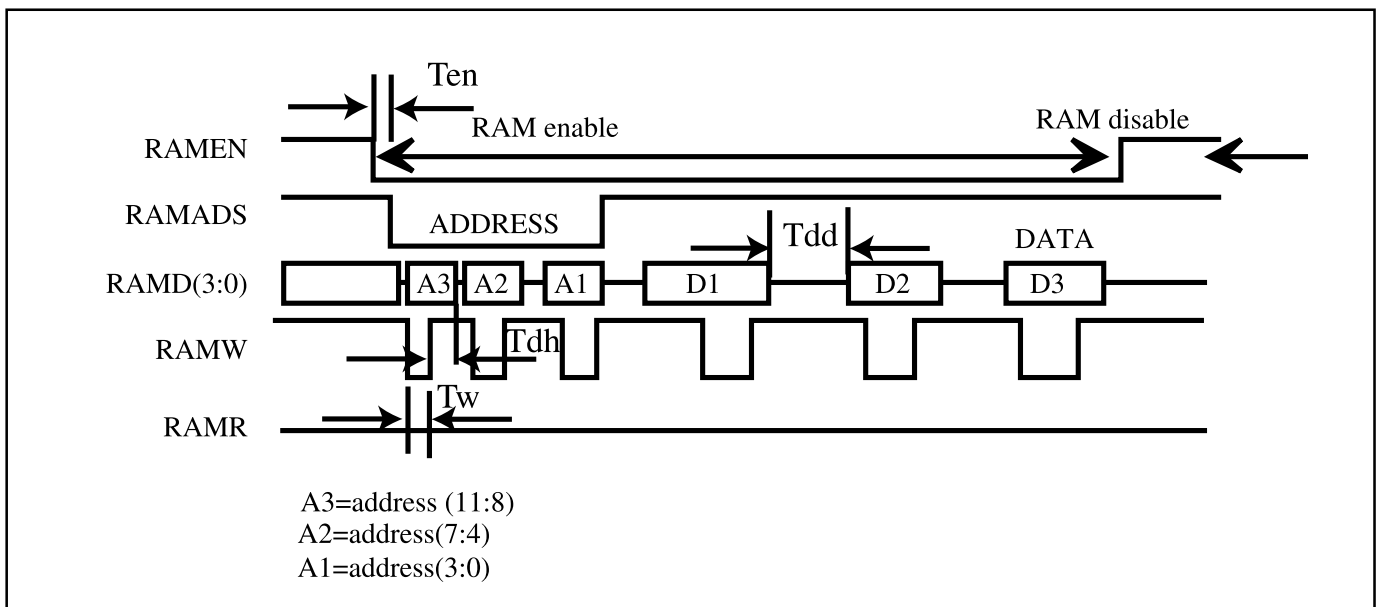


Fig.3

LCD RAM can be written or read with control signal. The RAMEN pin can select a RAM which can be read or write . The RAMADS pin can select whether RAMD(3:0) are data or address of RAM. At the address mode , RAMADS is low and user should sent address three times. From address (11:8) to address (3:0). Then it will go into data mode when RAMADS is high. In data mode , user can sent one or more nibble data which address can be increased by internal counter.

Once the RAMEN pin is high, the RAM can not read and write.

Preliminary

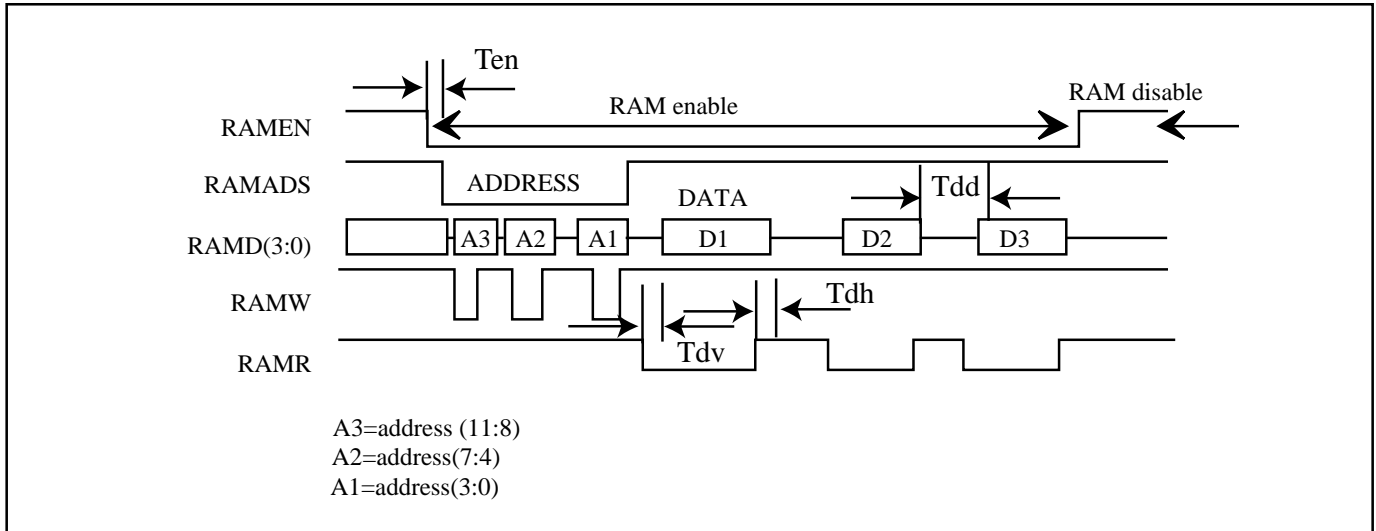


Fig.4

As same as write mode , user has to sent address three times. And read data from RAM one by one which address can be increased by internal counter. NOTE!! Be sure to make RAMR low pulse 2 μ S (T_{dv} +data) width and 2 μ S (T_{dd}) high width at least.

(5) RAM mapping

RAM address is from 0 to address 2559

User fill “1” to LCD RAM , LCD driver will generate “light” waveform. Otherwise , it will generate a “dark” waveform. The LCD RAM area is mapped to segment 1 to segment 80 from address 0 to address 19. And user can refer to fig.5 to get the idea of LCD ram mapping. The other RAM can use as general RAM for data storage. And the RAM of address 2560 is a control register.

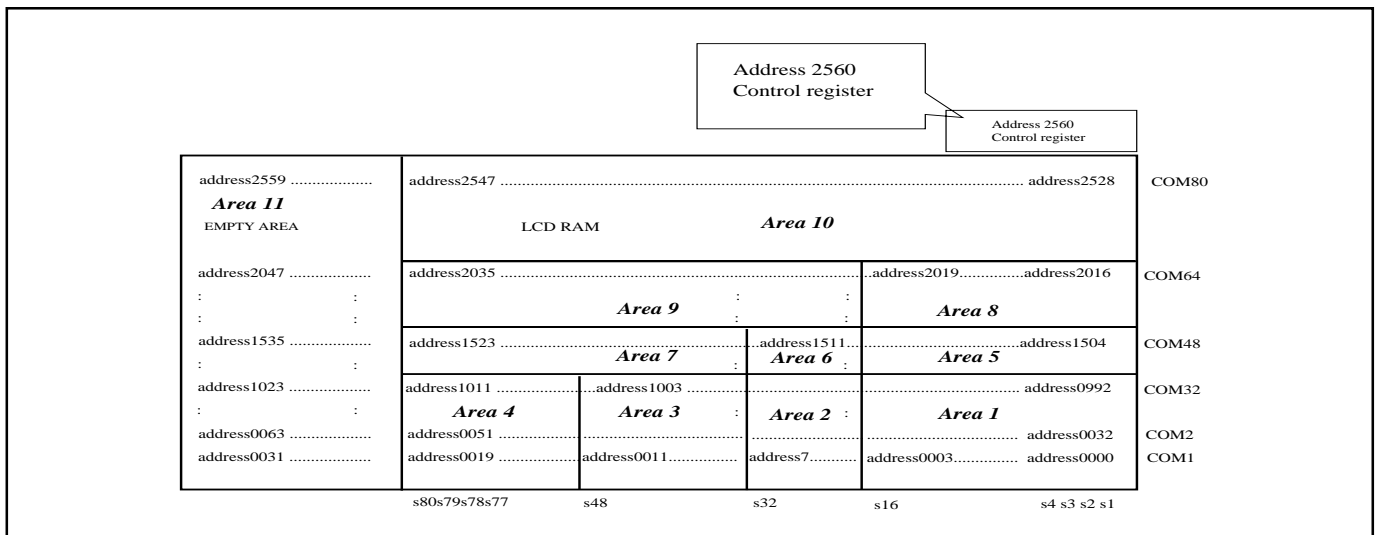
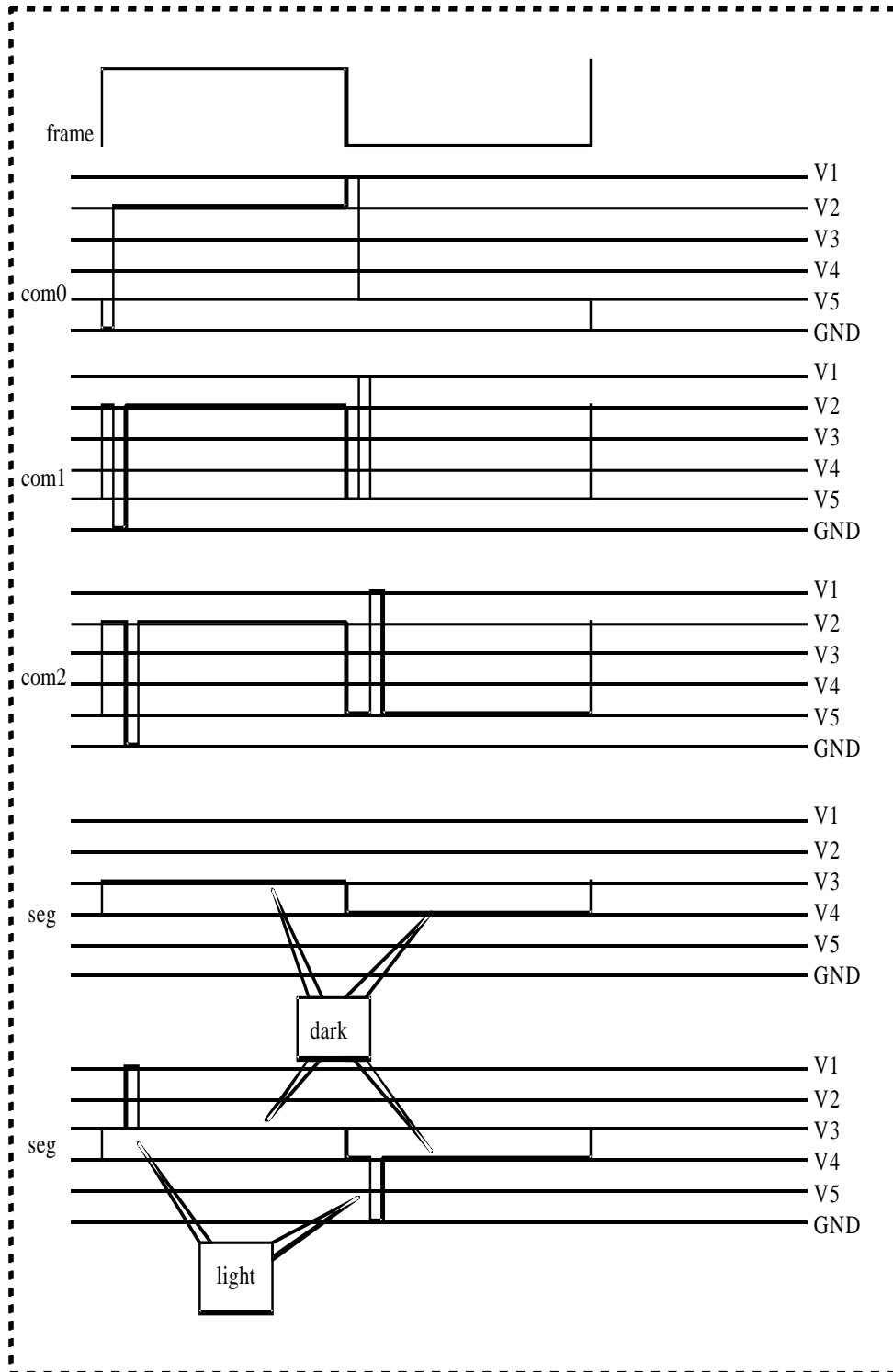


Fig.5

Preliminary

(6) LCD waveform



Preliminary

(7) Control register

Address	Bit3	Bit2	Bit1	Bit0
2560	V_BIAS	Regulator2	Regulator1	regulator0

Initial : 0000

Bit2,1,0 : internal regulator output selection.

(regulator2, regulator1, regulator0)	Output voltage
(0,0,0)	2.5V
(0,0,1)	2.8V
(0,1,0)	3.1V
(0,1,1)	3.4V
(1,0,0)	3.7V
(1,0,0)	4.0V
(1,1,0)	4.3V
(1,1,1)	4.6V

Bit3 : internal Bias voltage selection

(V_BIAS)	BIAS voltage
0	VSS2
1	VSS3

Bias from V1 to V5

	1/5 bias V_BIAS=0	1/5 bias V_BIAS=1	1/7 bias V_BIAS=0	1/7 bias V_BIAS=1	1/9 bias V_BIAS=0	1/9 bias V_BIAS=1
V1	V2	V3	V2	V3	V2	V3
V2	$V2 \cdot \frac{4}{5}$	$V3 \cdot \frac{4}{5}$	$V2 \cdot \frac{6}{7}$	$V3 \cdot \frac{6}{7}$	$V2 \cdot \frac{8}{9}$	$V3 \cdot \frac{8}{9}$
V3	$V2 \cdot \frac{3}{5}$	$V3 \cdot \frac{3}{5}$	$V2 \cdot \frac{5}{7}$	$V3 \cdot \frac{5}{7}$	$V2 \cdot \frac{7}{9}$	$V3 \cdot \frac{7}{9}$
V4	$V2 \cdot \frac{2}{5}$	$V3 \cdot \frac{2}{5}$	$V2 \cdot \frac{2}{7}$	$V3 \cdot \frac{2}{7}$	$V2 \cdot \frac{2}{9}$	$V3 \cdot \frac{2}{9}$
V5	$V2 \cdot \frac{1}{5}$	$V3 \cdot \frac{1}{5}$	$V2 \cdot \frac{1}{7}$	$V3 \cdot \frac{1}{7}$	$V2 \cdot \frac{1}{9}$	$V3 \cdot \frac{1}{9}$

* $V2 = VREG \cdot 2 \cdot 97\%$

* $V3 = VREG \cdot 3 \cdot 95\%$

Preliminary

ABSOLUTE MAXIMUM RATINGS

Rating	Symbol	Value	Unit
DC SUPPLY VOLTAGE	V+	<6	V
INPUT VOLTAGE	V _{in}	-0.5 TO V _{DD} ±0.5	V
OPERATING TEMPERATURE RANGE	T _a	0 TO 70	°C

DC ELECTRICAL CHARACTERISTICS (T_A=0°C ~ 70°C, V_{DD}=3V±5%, V_{SS}=0V)

Parameter	Sym.	Min.	Typ.	Max.	Unit	Condition
Input High voltage	V _{IH}	2.0			V	
Input Low current	V _{IL}			0.8	V	
Output High current	I _{OH}	100			μA	V _{DD} =3V
Input high voltage	I _{OL}	-100			μA	V _{DD} =3V
Standby current	I _{SD}		1	4	μA	EN=1
Output high voltage	I _{OP}		130	160	μA	EN=0, MAIN =1(MASTER) , DC converter enable, INPUT=VDD 250kHz clock, No load
			40	70	μA	EN=0 . MAIN =0 (SLAVE) , DC converter disable, INPUT=VDD 250kHz clock, No load
Current of a buffer (V1 to V5)	I _{buf}	4	6	10	μA	
Voltage variation of regulator	V _{reg}	V-0.1	V	V+0.1	V	
Regulator current	I _{reg}		10	15	μA	
Internal Bias resistor	R _{bias}	1800	2000	2200	kΩ	

AC ELECTRICAL CHARACTERISTICS

Parameter	Sym.	Min.	Typ.	Max.	Unit
RC clock variable	V _{rc}	-20		+20	%
Frame period	T _{frame}		1/64		S
Load period	T _{load}		31		μS
Enable time	T _{en}	30			μS
Write low pulse	T _w	2			μS
Data hold time	T _{dh}	500			nS
Data to data time	T _{dd}	2			μS
Data valid time	T _{dv}	1500			nS

Preliminary

AC TIMING

LCD control timing

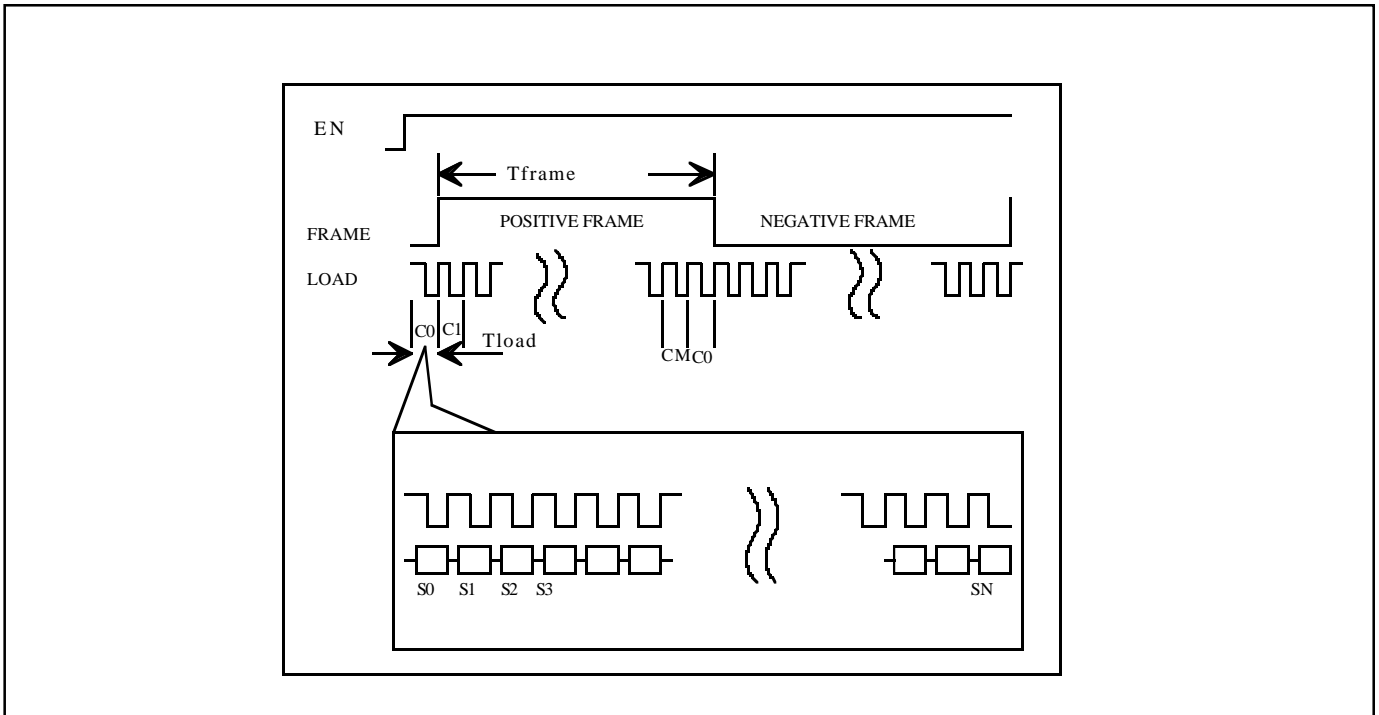


Fig .7

LCD RAM write mode

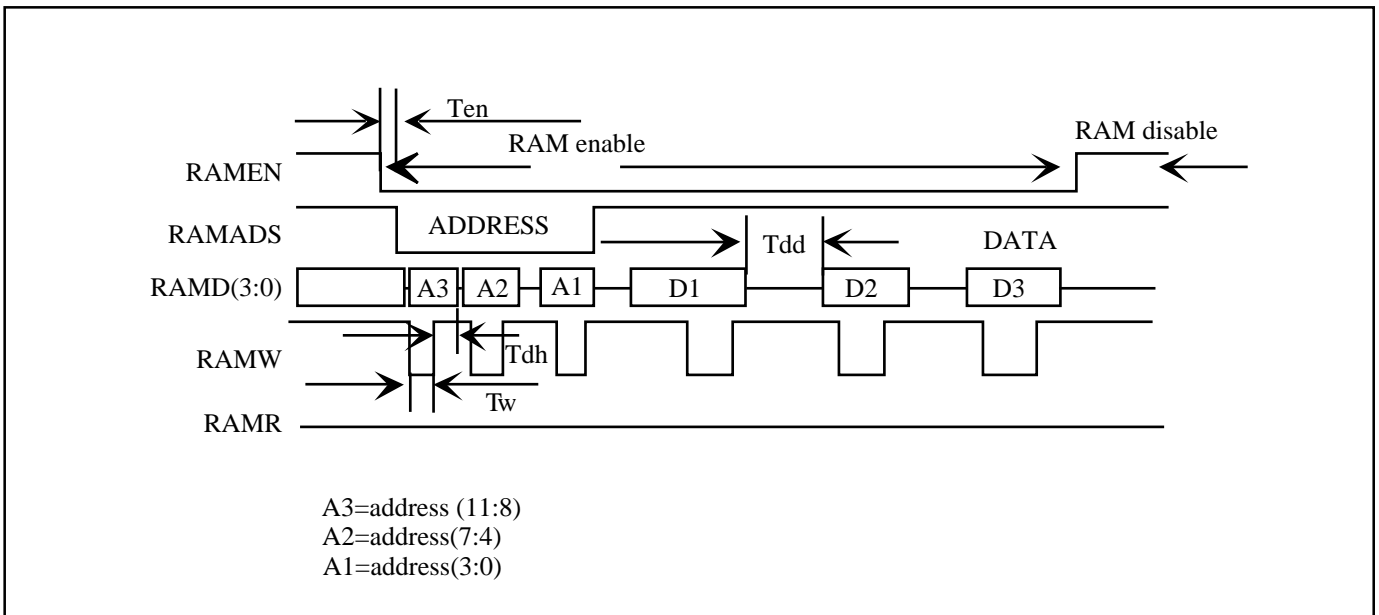


Fig .8

Preliminary

LCD RAM read mode

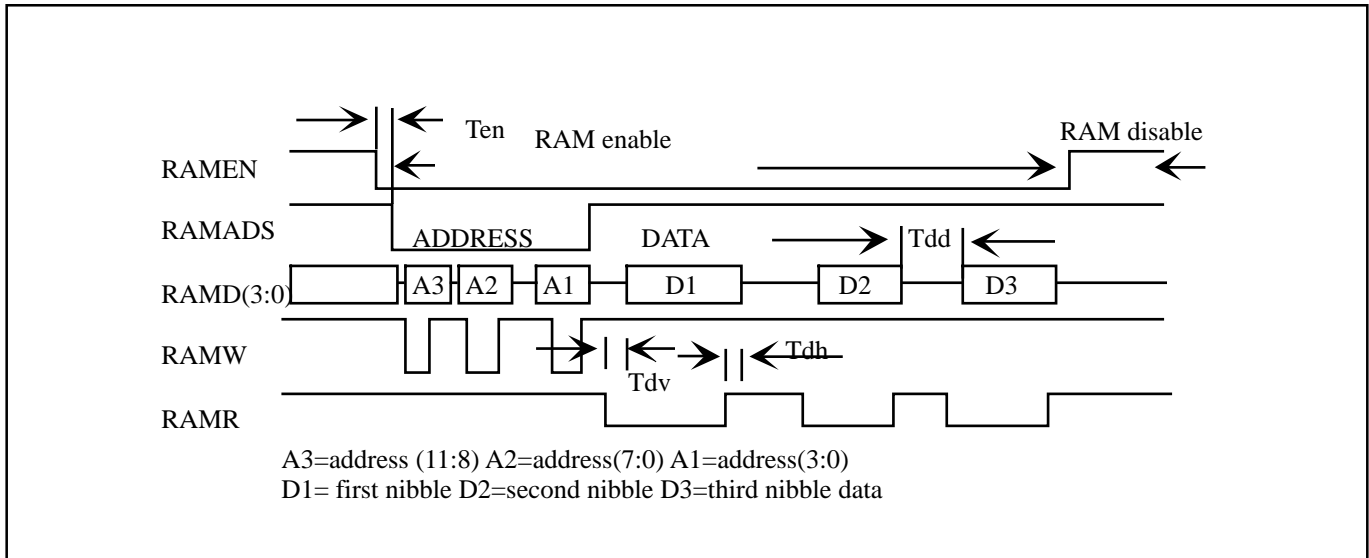


Fig .9

APPLICATION CIRCUIT

(1) C32 x S48

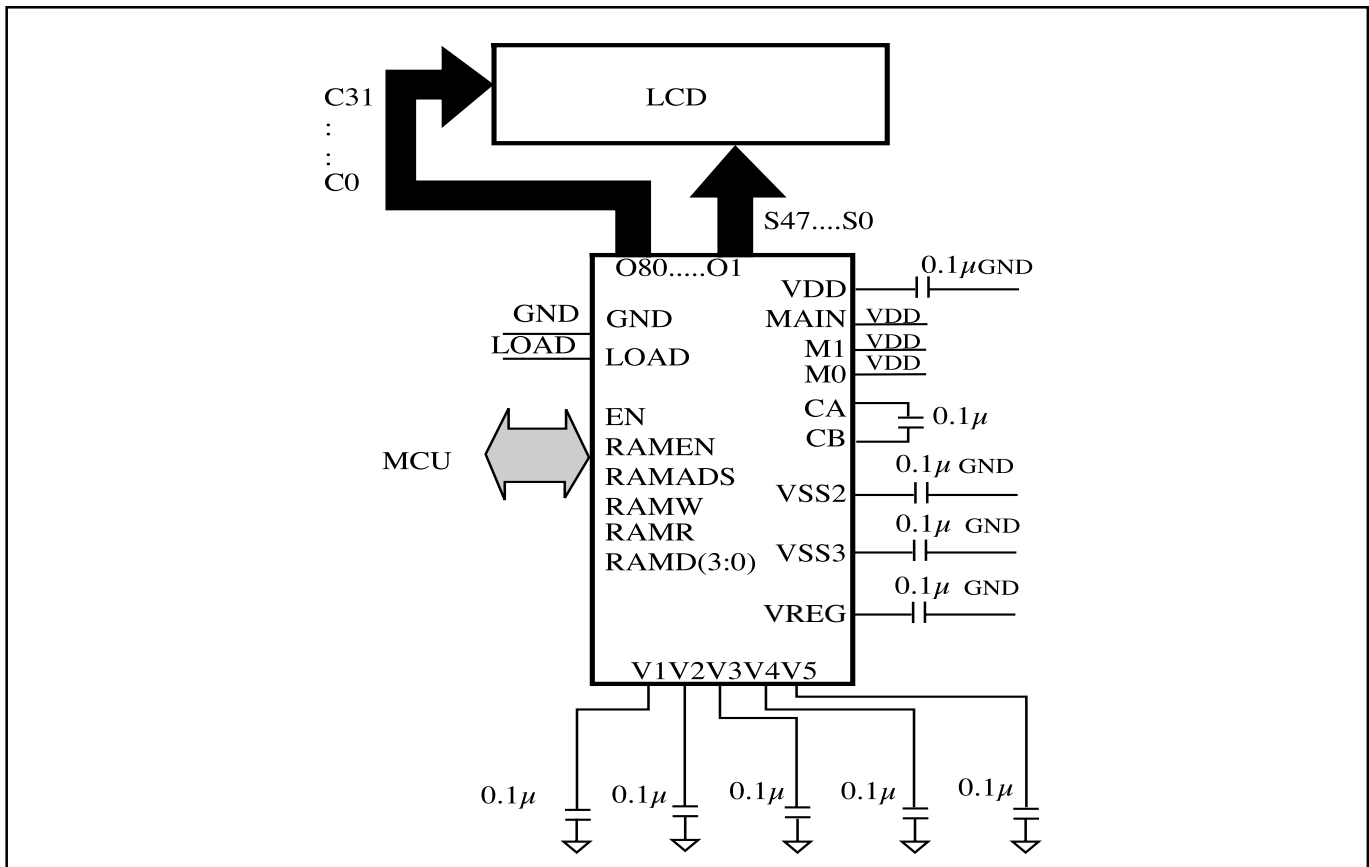


Fig .10

Preliminary

(2) C32 x S128

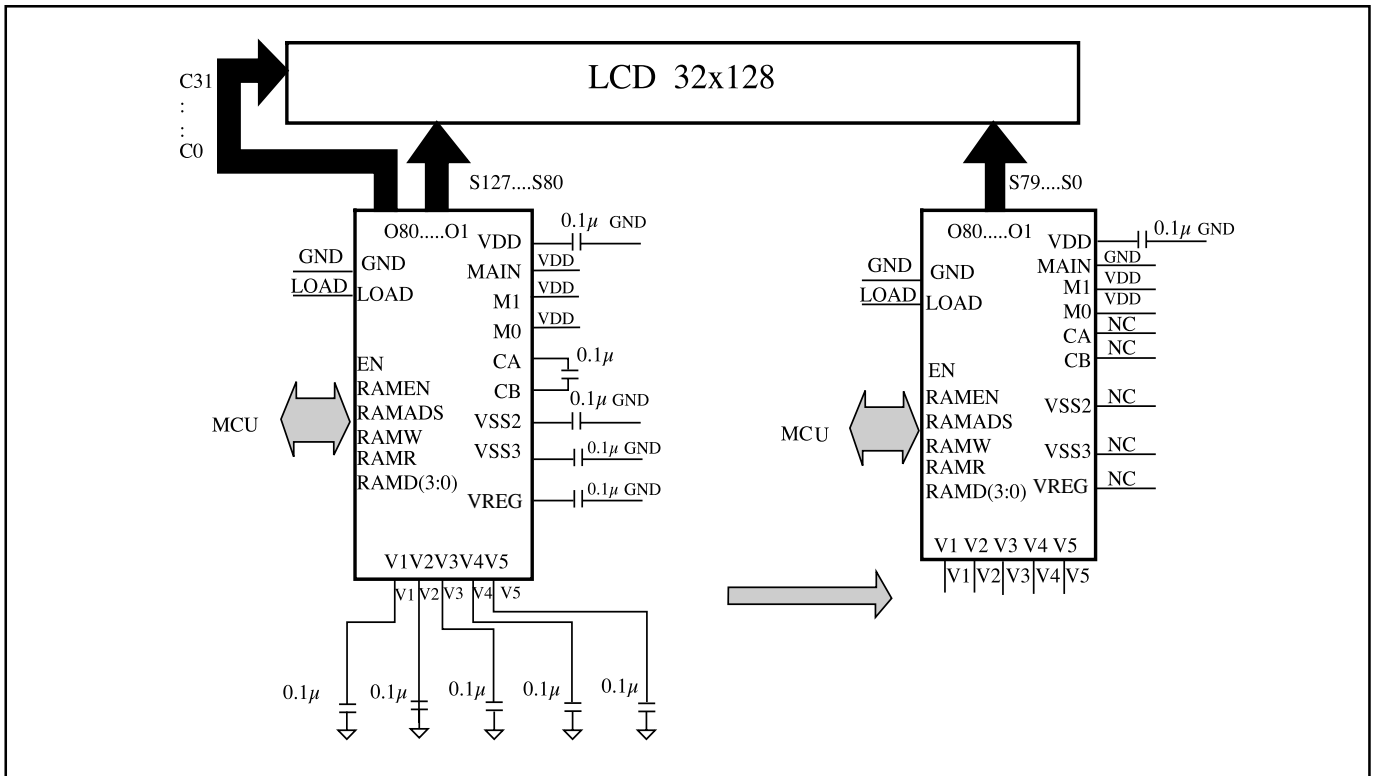


Fig .11

(3) C48 x S112

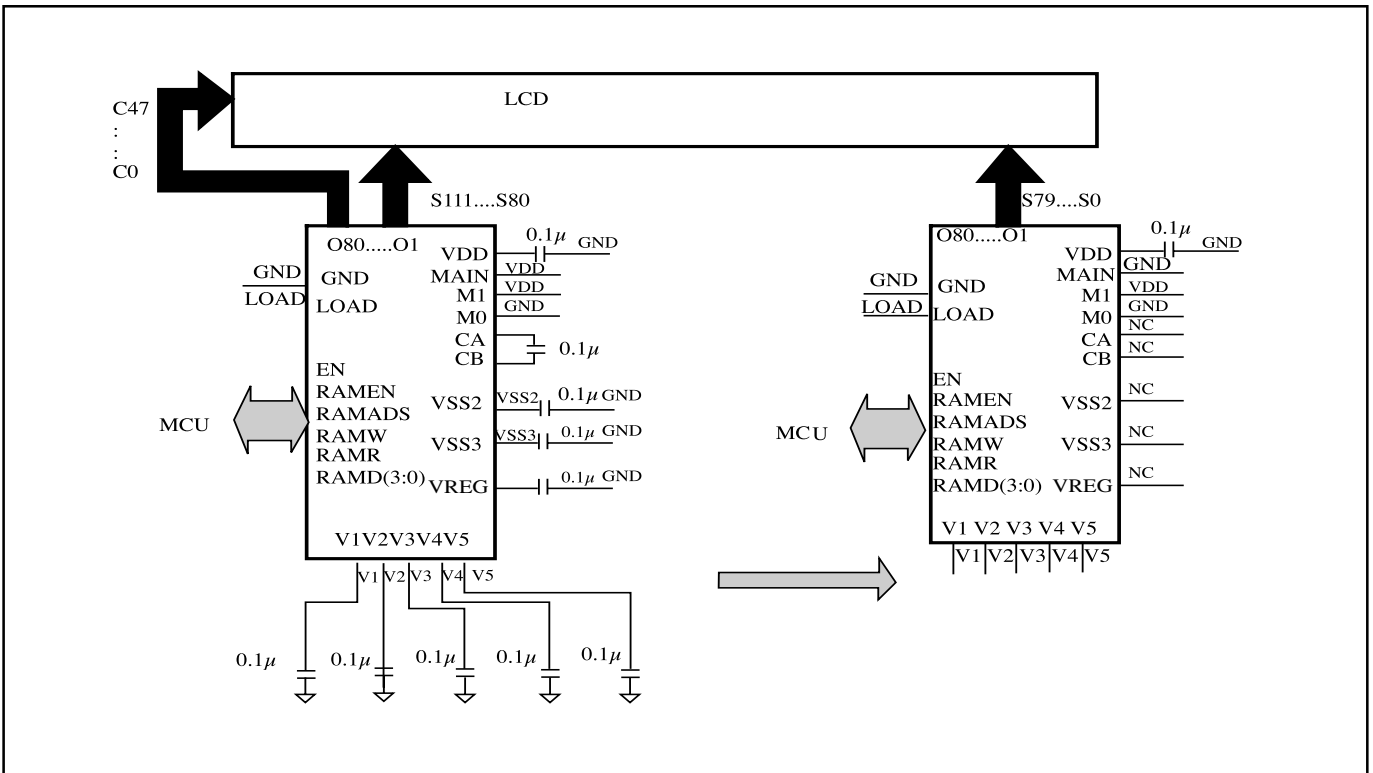


Fig .12

Preliminary

(4) C80 x S160

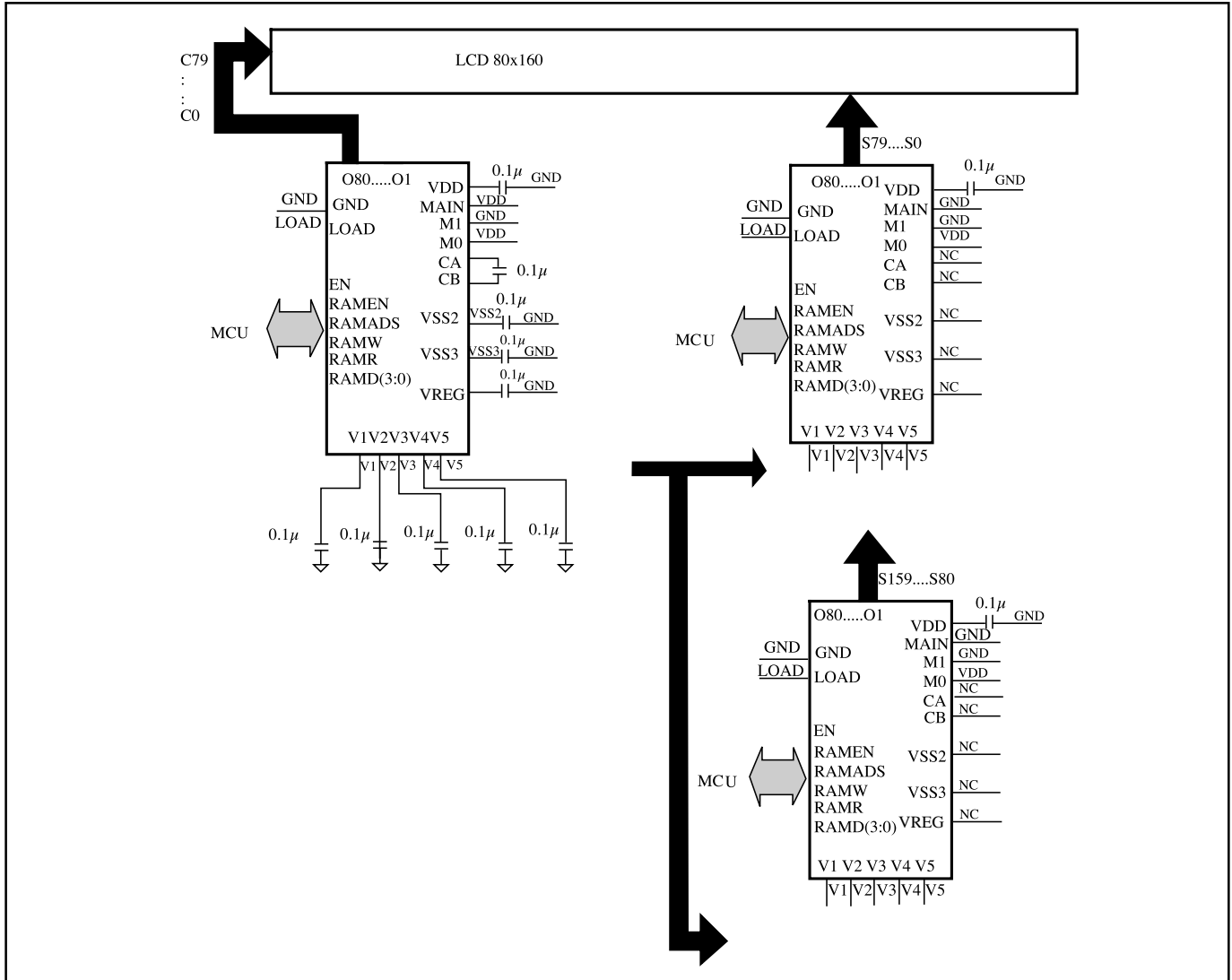
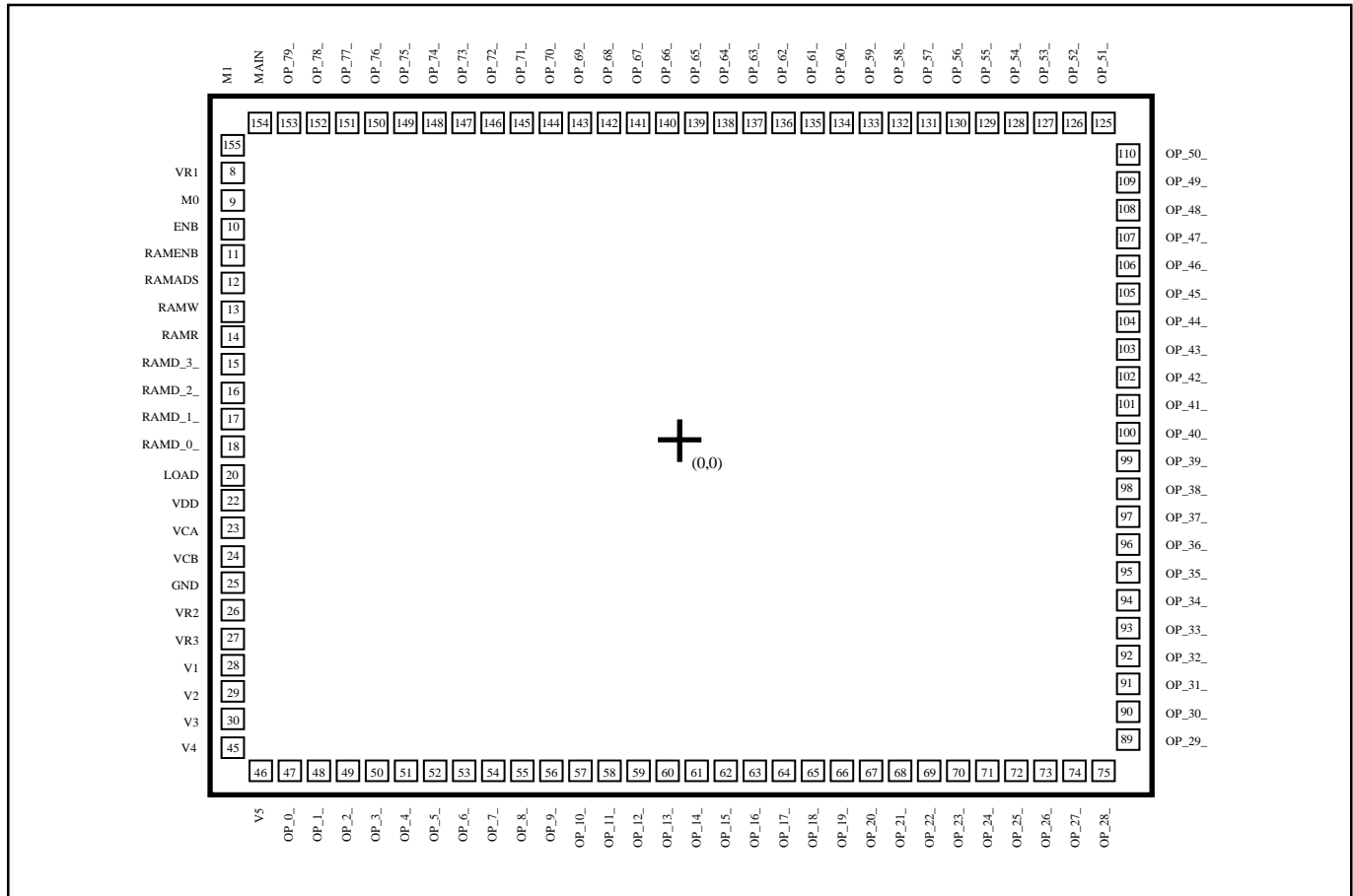


Fig .13

Preliminary

PAD DIAGRAM



Chip Size : 3640 μm x 2800 μm

Pad No.	Sym.	X	Y
8	VR1	-1660.0	1062.5
9	M0	-1660.0	952.5
10	ENB	-1660.0	842.5
11	RAMENB	-1660.0	732.5
12	RAMADS	-1660.0	627.5
13	RAMW	-1660.0	522.5
14	RAMR	-1660.0	417.5
15	RAMD_3_	-1660.0	312.5
16	RAMD_2_	-1660.0	207.5
17	RAMD_1_	-1660.0	102.5
18	RAMD_0_	-1660.0	-2.5
20	LOAD	-1660.0	-107.5
22	VDD	-1660.0	-212.5
23	VCA	-1660.0	-317.5
24	VCB	-1660.0	-422.5
25	GND	-1660.0	-527.5
26	VR2	-1660.0	-632.5
27	VR3	-1660.0	-737.5
28	V1	-1660.0	-842.5

* This specification are subject to be changed without notice.



Preliminary

Pad No.	Sym.	X	Y
29	V2	-1660.0	-952.5
30	V3	-1660.0	-1062.5
45	V4	-1660.0	-1172.5
46	V5	-1540.0	-1240.0
47	OP_0_	-1430.0	-1240.0
48	OP_1_	-1320.0	-1240.0
49	OP_2_	-1210.0	-1240.0
50	OP_3_	-1105.0	-1240.0
51	OP_4_	-1000.0	-1240.0
52	OP_5_	-895.0	-1240.0
53	OP_6_	-790.0	-1240.0
54	OP_7_	-685.0	-1240.0
55	OP_8_	-580.0	-1240.0
56	OP_9_	-475.0	-1240.0
57	OP_10_	-370.0	-1240.0
58	OP_11_	-265.0	-1240.0
59	OP_12_	-160.0	-1240.0
60	OP_13_	-55.0	-1240.0
61	OP_14_	50.0	-1240.0
62	OP_15_	155.0	-1240.0
63	OP_16_	260.0	-1240.0
64	OP_17_	365.0	-1240.0
65	OP_18_	470.0	-1240.0
66	OP_19_	575.0	-1240.0
67	OP_20_	680.0	-1240.0
68	OP_21_	785.0	-1240.0
69	OP_22_	890.0	-1240.0
70	OP_23_	995.0	-1240.0
71	OP_24_	1100.0	-1240.0
72	OP_25_	1205.0	-1240.0
73	OP_26_	1315.0	-1240.0
74	OP_27_	1425.0	-1240.0
75	OP_28_	1535.0	-1240.0
89	OP_29_	1660.0	-1120.0
90	OP_30_	1660.0	-1010.0
91	OP_31_	1660.0	-900.0
92	OP_32_	1660.0	-790.0
93	OP_33_	1660.0	-685.0
94	OP_34_	1660.0	-580.0
95	OP_35_	1660.0	-475.0
96	OP_36_	1660.0	-370.0
97	OP_37_	1660.0	-265.0
98	OP_38_	1660.0	-160.0
99	OP_39_	1660.0	-55.0
100	OP_40_	1660.0	50.0

* This specification are subject to be changed without notice.

Preliminary

Pad No.	Sym.	X	Y
101	OP_41_	1660.0	155.0
102	OP_42_	1660.0	260.0
103	OP_43_	1660.0	365.0
104	OP_44_	1660.0	470.0
105	OP_45_	1660.0	575.0
106	OP_46_	1660.0	680.0
107	OP_47_	1660.0	785.0
108	OP_48_	1660.0	895.0
109	OP_49_	1660.0	1005.0
110	OP_50_	1660.0	1115.0
125	OP_51_	1535.0	1240.0
126	OP_52_	1425.0	1240.0
127	OP_53_	1315.0	1240.0
128	OP_54_	1205.0	1240.0
129	OP_55_	1100.0	1240.0
130	OP_56_	995.0	1240.0
131	OP_57_	890.0	1240.0
132	OP_58_	785.0	1240.0
133	OP_59_	680.0	1240.0
134	OP_60_	575.0	1240.0
135	OP_61_	470.0	1240.0
136	OP_62_	365.0	1240.0
137	OP_63_	260.0	1240.0
138	OP_64_	155.0	1240.0
139	OP_65_	50.0	1240.0
140	OP_66_	-55.0	1240.0
141	OP_67_	-160.0	1240.0
142	OP_68_	-265.0	1240.0
143	OP_69_	-370.0	1240.0
144	OP_70_	-475.0	1240.0
145	OP_71_	-580.0	1240.0
146	OP_72_	-685.0	1240.0
147	OP_73_	-790.0	1240.0
148	OP_74_	-895.0	1240.0
149	OP_75_	-1000.0	1240.0
150	OP_76_	-1105.0	1240.0
151	OP_77_	-1210.0	1240.0
152	OP_78_	-1320.0	1240.0
153	OP_79_	-1430.0	1240.0
154	MAIN	-1540.0	1240.0
155	M1	-1660.0	1172.5

Preliminary

DESIGN NOTE : APPLICATION CIRCUIT WITH EXTERNAL CHARGE PUMP

