

Preliminary

GENERAL DESCRIPTION

The EM83040B is a dot matrix LCD driver, which is fabricated by low power CMOS technology. This chip includes 80-bits shift register, 80 bits data latch and 80 bits level driver. A LCD RAM inside can be mapping to LCD signal. It converts RAM data to parallel data and output waveform to LCD.

FEATURES

- (1) Supply power: 2.5~5.5V
- (2) LCD drive voltage: 3.6 to15V
- (3) Internal RAM: 2.5k x 4 bits
- (4) RAM can be controlled by eight signals including four bits data bus.
- (5) Duty: 1/32, 1/48, 1/64, 1/80
- (6) Build in DC/DC converter: double, triple, quad and five times.
- (7) Modularized function: connect to another 83040B to extent LCD matrix
- (8) One DC converter enabled and other 83040B can share with this.
- (9) Internal regulator output for DC/DC converter controlled by control register.
- (10) Chip form (EM83040BH), 128 pin package (14mm x 20mm EM83040BAQ), 160 pin package (EM83040BBQ)
- (11) Bias: 1/5 (32 COMMON), 1/7 (48 COMMON), 1/9 (64 and 80 COMMON) fixed by internal circuit.
- (12) Internal RC clock about 250 KHz.

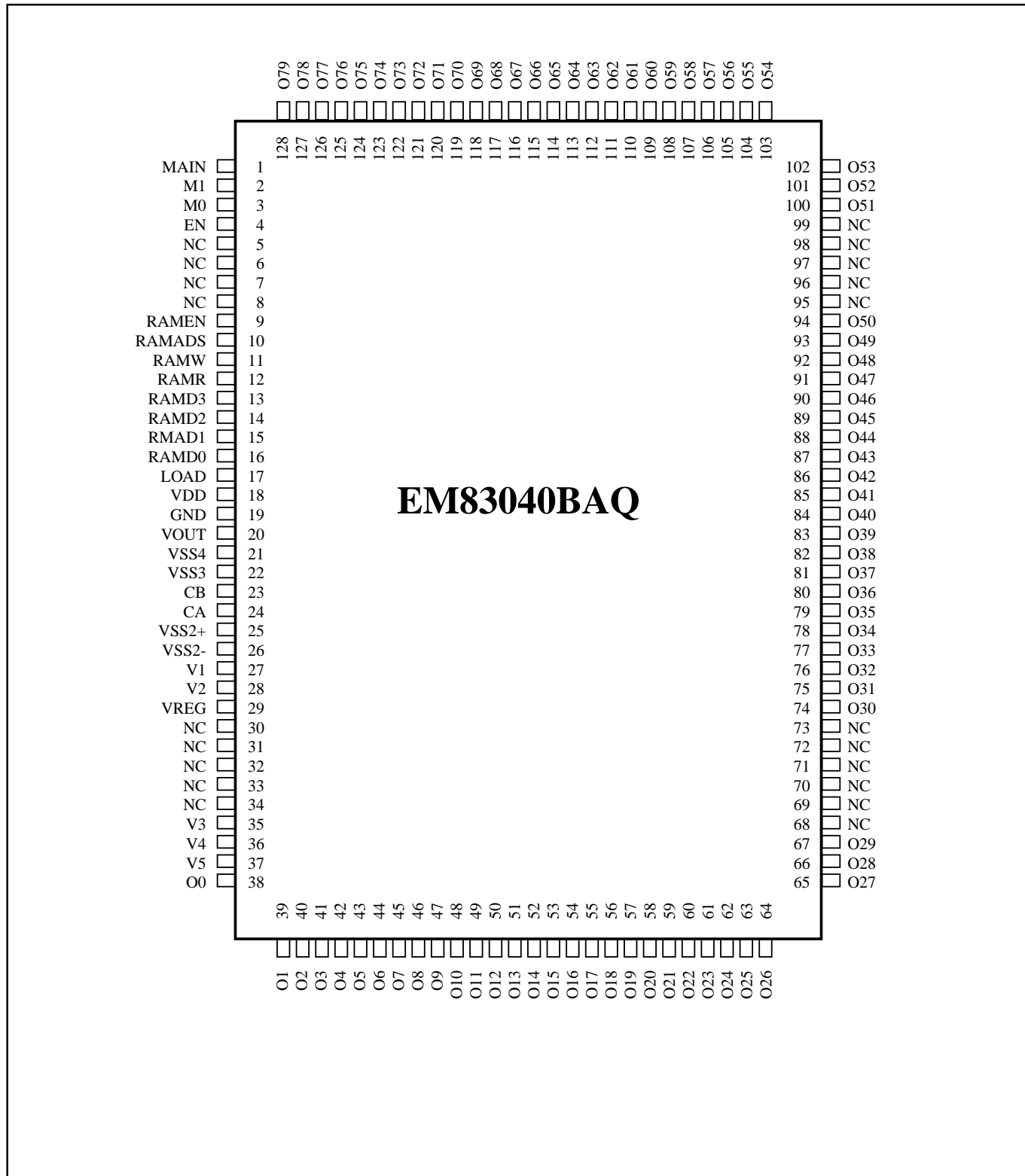
APPLICATION

- (1) Data Bank
- (2) LCD toy
- (3) Education computer

Preliminary

PIN ASSIGNMENTS

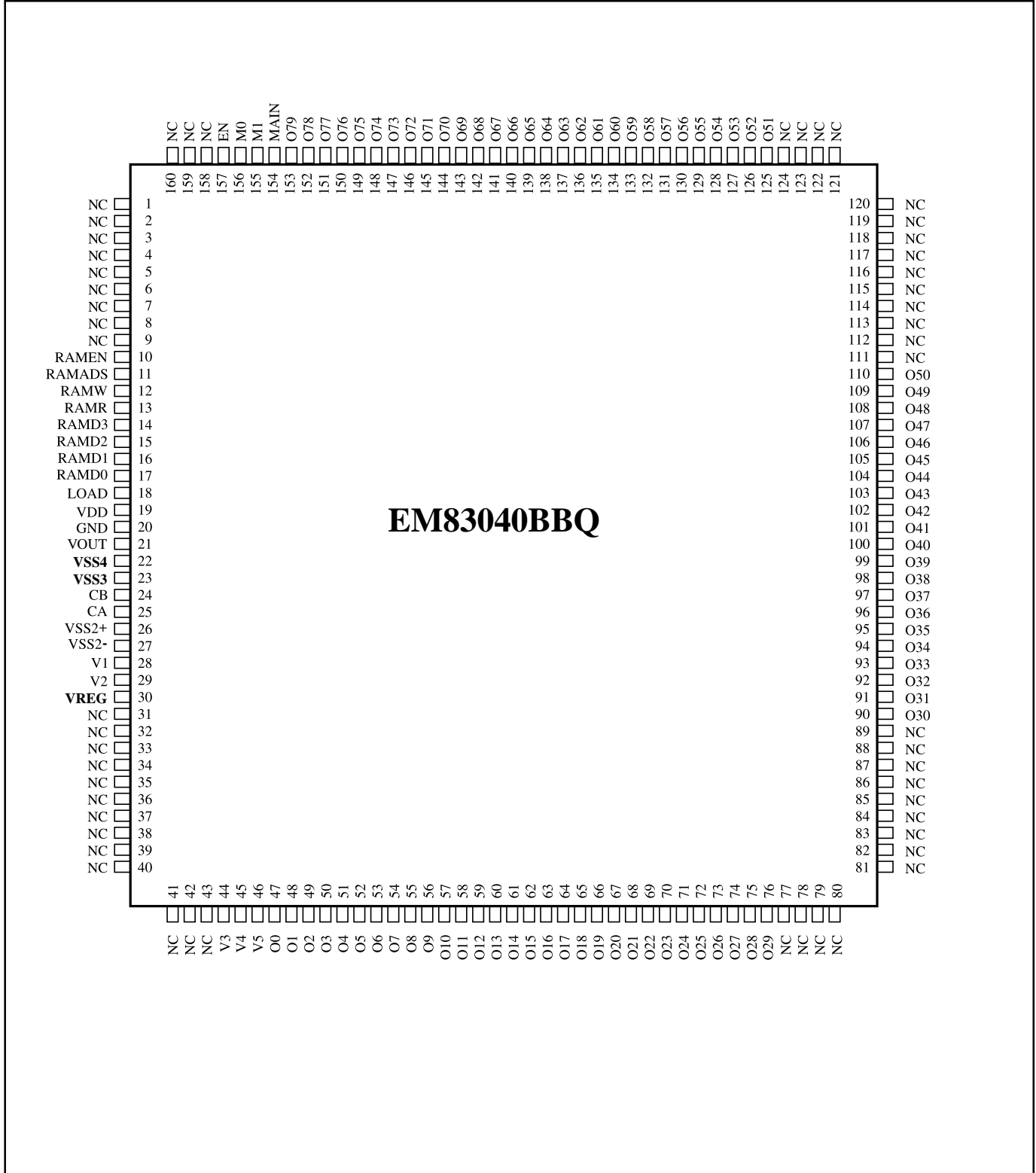
EM83040BAQ



* This specification are subject to be changed without notice.

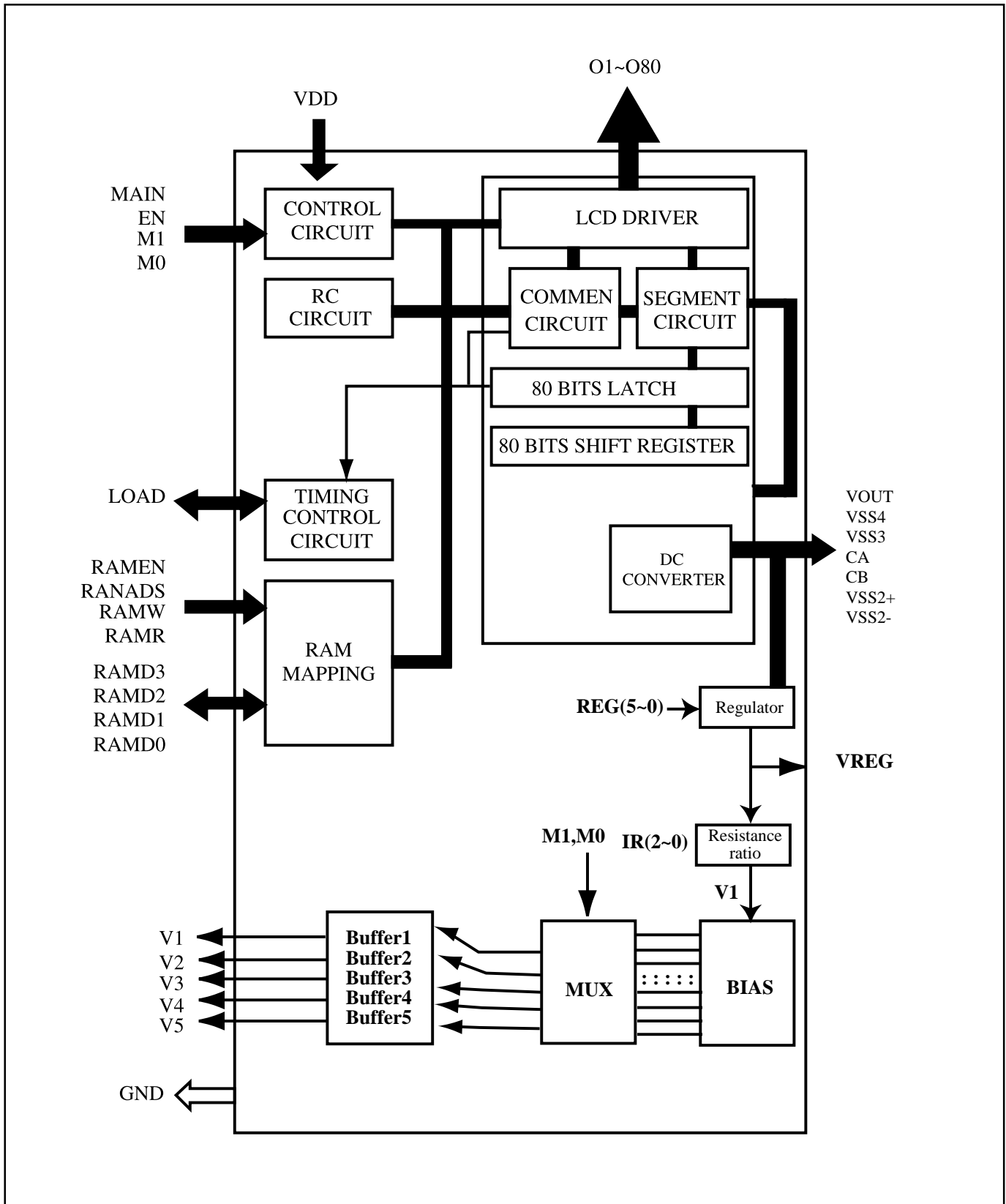
Preliminary

EM83040BBQ



Preliminary

BLOCK DIAGRAM



* This specification are subject to be changed without notice.

Preliminary

PIN DESCRIPTIONS

Symbol	I/O	Function
VDD	Power	System power supply
GND	Power	Ground
VOUT	Power	Voltage converter input/output pin Connect this pin to GND through capacitor EN=1, VOOUT=VDD
VSS4	Power	Step-up capacitor EN=1, VSS4=VDD
VSS3	Power	Step-up capacitor EN=1, VSS3=VDD
VSS2+	Power	Step-up capacitor EN=1, VSS2=VDD
VSS2-	Power	Step-up capacitor
VREG	Power	Output voltage regulator terminal. Provides the voltage between V1 and GND through a resistive voltage divider.
MAIN	I	Master or slave control signal. MAIN=1, master unit MAIN=0, slave unit
EN	I	This pin control whole chip power. This chip will work when this pin is connected to ground. And whole chip will disable when connect to VDD voltage. EN=0 and MAIN=1 the chip will generate VSS2+, VSS2-, VSS3, VSS4, VOOUT, LOAD signal and internal RC clock. EN=1, standby mode
M1	I	Mode select
M0	I	Mode select
RAMEN		RAM read and write control signal. 1 => can not read and write. 0=> can read and write.
RAMADS		RAM data select signal 1=> RAM Data, 0=>Address
RAMW		RAM write signal, low write
RAMR		RAM read signal, low read
RAMD3~RAMD0		RAM data or address bus
LOAD	I/O	LCD load signal between one COMMON signal to another. MAIN=1, the master unit will output LOAD signal. MAIN=0, the slave will accept the signal from master unit.
CA	I	Coupling capacitor
CB	I	Coupling capacitor
V1~V5	I	Reference voltage input, highest V1°K lowest V5
O1~O80	O	LCD waveform output

Preliminary

FUNCTION DESCRIPTIONS

(1) User can use MAIN pin to chose master unit or slave unit.

MAIN	Unit	Function
1	MASTER	Generate these signals: Load, CA, CB, VSS2+, VSS2-, VSS3, VSS4, VOUT Internal RC clock
0	SLAVE	Accept these Master unit signals Load, VOUT, V1, V2, V3, V4, V5 No internal RC clock

(2) User can use M1,M2 to choose four modes. As followed

MASTER	MAIN	M1	M0	Segment	Common	BIAS
Mode1	1	0	0	O(16:1)=S(16:1)	O(80:17)=C(64:1)	1/9
Mode2	1	0	1		O(80:1)=C(80:1)	1/9
Mode3	1	1	0	O(32:1)=S(32:1)	O(80:33)=C(48:1)	1/7
Mode4	1	1	1	O(48:1)=S(48:1)	O(80:49)=C(32:1)	1/5
SLAVE	MAIN	M1	M0	Segment	Common	BIAS
Mode1	0	0	0	O(80:1)=S(80:1)		1/9
Mode2	0	0	1	O(80:1)=S(80:1)		1/9
Mode3	0	1	0	O(80:1)=S(80:1)		1/7
Mode4	0	1	1	O(80:1)=S(80:1)		1/5

* S=Segment, C=Common

* (M1, M0) for Master must same as Slave unit

(3) RAM control

Write mode

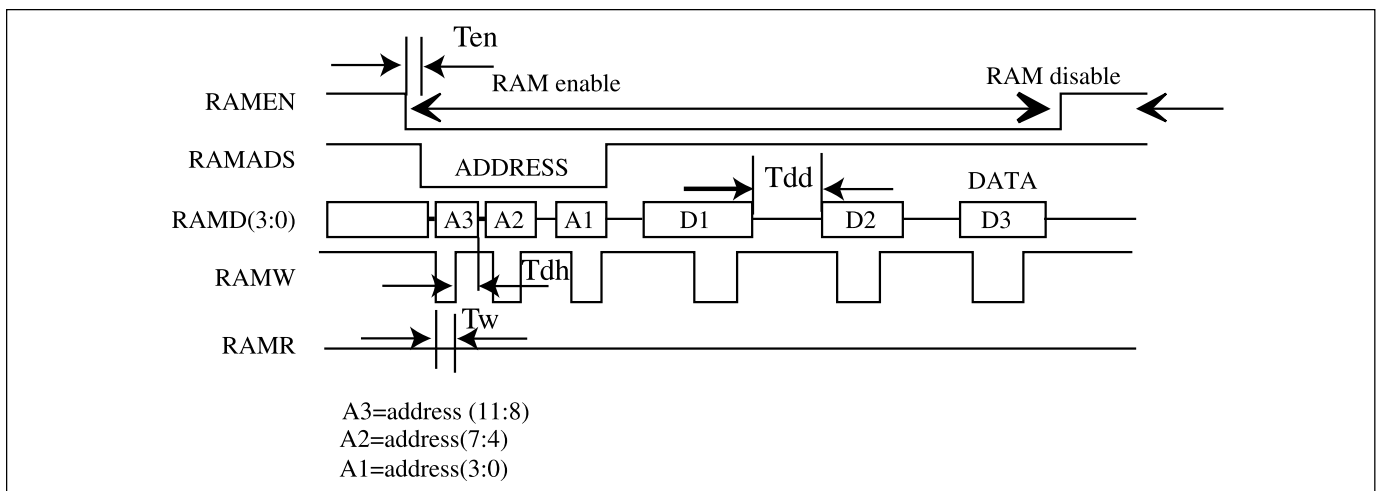


FIG. 3

LCD RAM can be written or read with control signal. The RAMEN pin can select a RAM which can be read or write. The RAMADS pin can select whether

Preliminary

RAMD(3:0) are data or address of RAM. At the address mode, RAMADS is low and user should sent address three times, from address (11:8) to address (3:0). Then it will go into data mode when RAMADS is high. In data mode, user can sent one or more nibble data which address can be increased by internal counter. Once the RAMEN pin is high, the RAM can not read and write.

(4)Read control

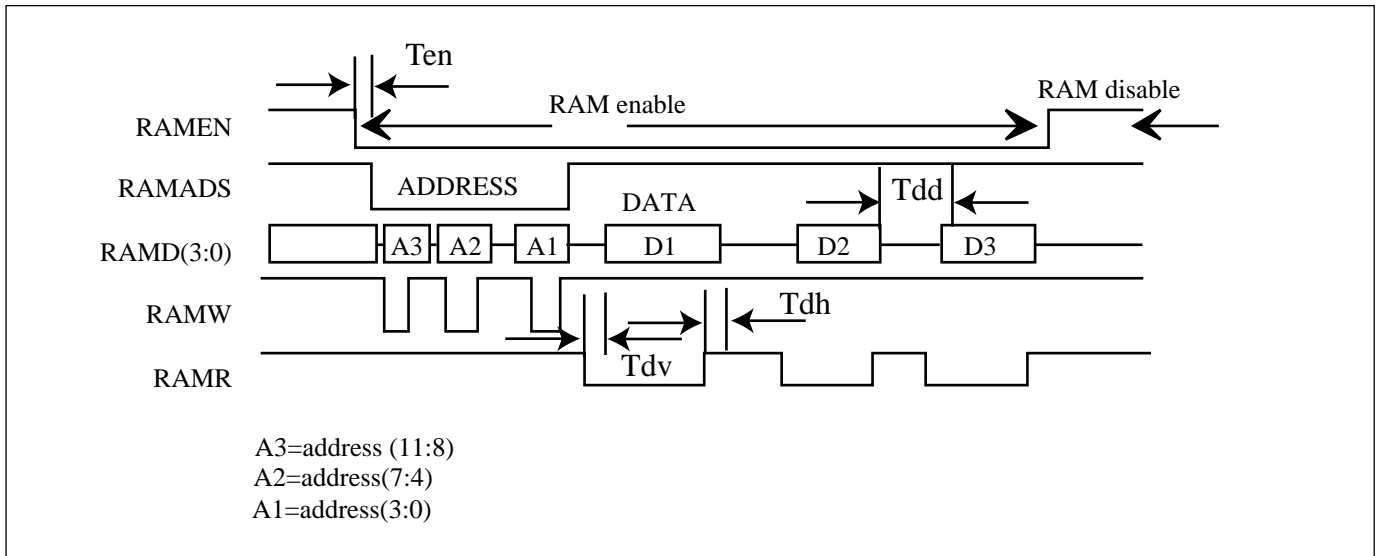


FIG. 4

As same as write mode, user has to sent address three times. And read data from RAM one by one which address can be increased by internal counter. Note!! Be sure to make RAMR low pulse 2uS (T_{dv} +data) width and 2uS (T_{dd}) high width at least.

(5)RAM mapping

RAM address is from 0 to address 2562

User fill "1" to LCD RAM, LCD driver will generate "light" waveform. Otherwise, it will generate a "dark" waveform. The LCD RAM area is mapped to segment 1 to segment 80 from address 0 to address 19. And user can refer to fig.5 and Table 1 to get the idea of LCD ram mapping. The other RAM can use as general RAM for data storage if not mapping to LCD display. And the RAM of address 2560, 2561 and 2562 is control registers.

Table 1: LCD mapping RAM area

Common	Segment	Master/slave	Display area
32	48	Master	1,2,3
32	80	Slave	1,2,3,4
48	32	Master	1,2,5,6
48	80	Slave	1,2,3,4,5,6,7
64	16	Master	1,5,8
64	80	Slave	1,2,3,4,5,6,7,8,9
80	0	Master	No mapping RAM
80	80	Slave	1,2,3,4,5,6,7,8,9,10
Any	Any	Any	Area 11 is general RAM

Preliminary

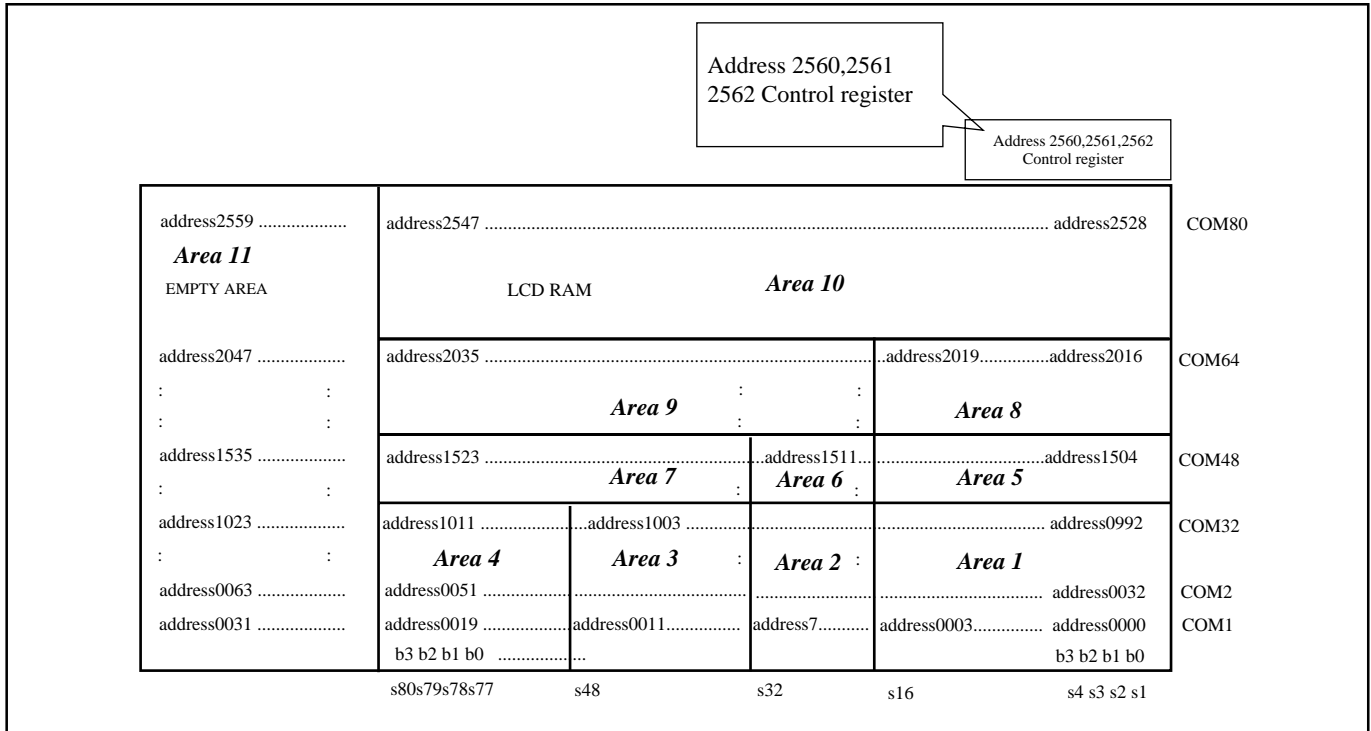


Fig.5

As same as write mode , user has to sent address three times. And read data from RAM one by one which address can be increased by internal counter. NOTE!! Be sure to make RAMR low pulse 2 μS (Tdv+data) width and 2 μS (Tdd) high width at least.

(5) RAM mapping

RAM address is from 0 to address 2559

User fill “1” to LCD RAM , LCD driver will generate “light” waveform. Otherwise , it will generate a “dark” waveform. The LCD RAM area is mapped to segment 1 to segment 80 from address 0 to address 19. And user can refer to fig.5 to get the idea of LCD ram mapping. The other RAM can use as general RAM for data storage. And the RAM of address 2560 is a control register.

Preliminary

(6) LCD waveform

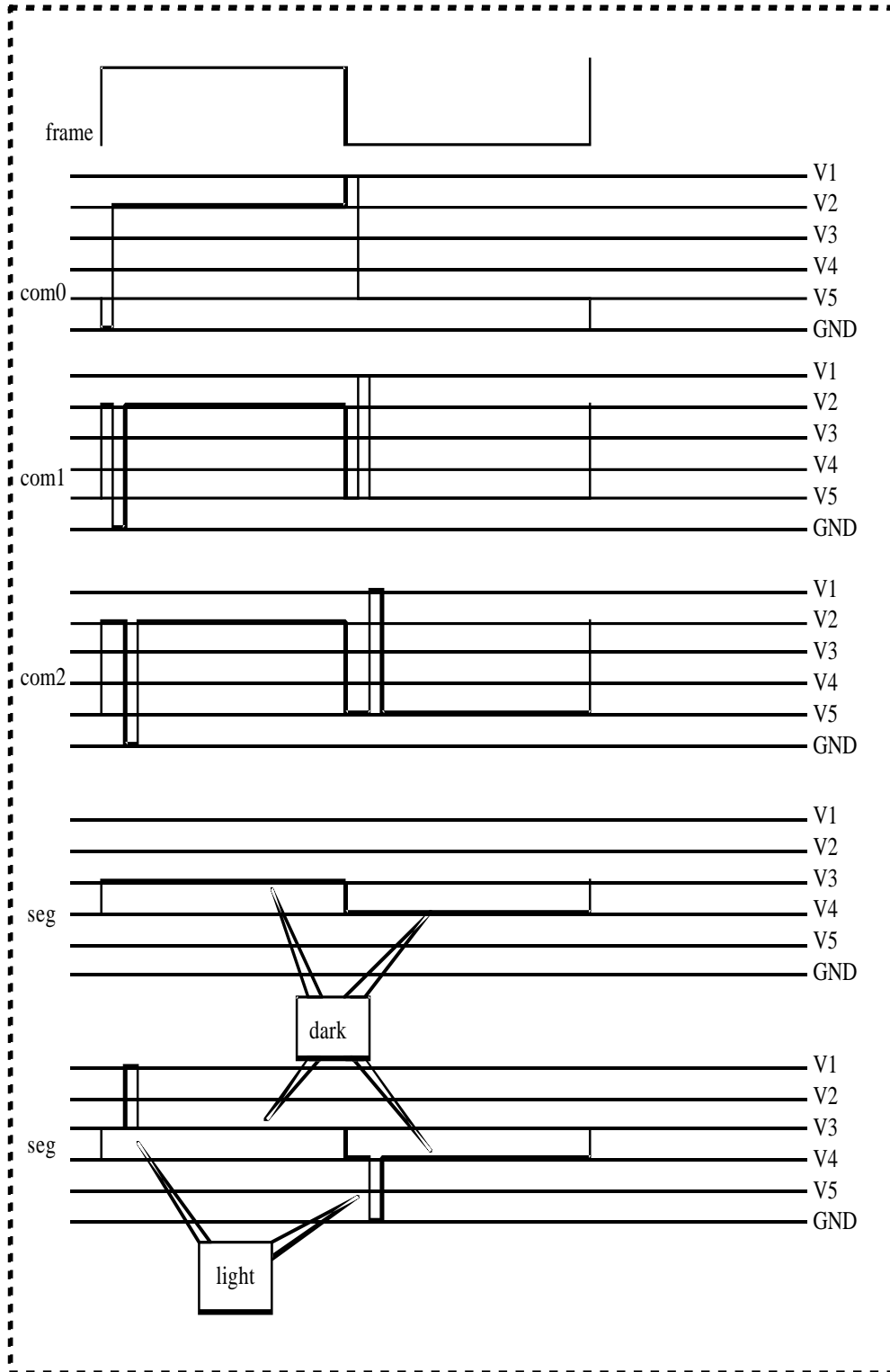


Fig.6

Preliminary

(7) Control register

Address	Bit3	Bit2	Bit1	Bit0
2560	IRS	IR2	IR1	IR0
2561	REG3	REG2	REG1	REG0
2562	PS1	PS0	REG5	REG4

X: don't care

Default status of Address 2560,2561 and 2562, respectively: 0010, 0000, 0000

Address 2562 bit3~2(PS1, PS0) be selected:

Use settings	PS1	PS0	Step-up circuit	V regulator circuit	V/F circuit	External voltage input
Only the internal power supply is used	1	1	O	O	O	X
Only the V regulator circuit and the V/F circuit are used	1	0	X	O	O	VOUT
Only the V/F circuit is used	0	1	X	X	O	V1
Only the external power supply is used	0	0	X	X	X	V1 to V5

Address 2562 bit1~0 and 2561 bit3~0 (Reg5~Reg0) is selected the VEV value

REG5~REG0	V_{EV}	V_{EV} step
000000	1.2 V	0.012V
000001	1.212 V	
↓	↓	
011111	1.572 V	
100000	1.584 V	
↓	↓	
111110	1.944 V	
111111	1.956 V	

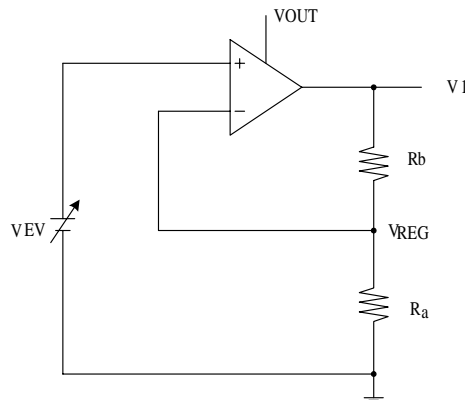


Fig.7

Preliminary

Address 2560 bit3 (IRS) is internal resistor selected

IRS=0: internal regulator resistor is used.

IRS=1: internal regulator resistor is not used. (External resistor is used)

Address 2560 bit0~2(IR2, IR1, IR0) is selected for the V1 voltage regulator internal resistance ratio

IR2~IR0	Resistor ratio (1+Rb/Ra)
0 0 0	3.0
0 0 1	3.5
0 1 0	4.0
0 1 1	4.5
1 0 0	5.0
1 0 1	5.5
1 1 0	6.0
1 1 1	6.5

The V1 voltage can be calculated using equation A over the range where $VDD < V1 \leq VOUT$

$$V1 = (1 + Rb/Ra) \cdot V_{EV} * (94\% \sim 97\%) \quad (\text{Equation A})$$

(94%~97%) depend on loading

Example: Default: IRS=0 (internal regulator resistor is used), (IR2, IR1, IR0)=(0, 1, 0), and (REG5~0)=(000000)

$$V1 = (1 + Rb/Ra) \cdot V_{EV} * (94\% \sim 97\%) = 4.0 \cdot 1.2 * (94\% \sim 97\%) = 4.51 \text{ V} \sim 4.65 \text{ V}$$

When IRS=0 (internal regulator resistor is used), (IR2, IR1, IR0)=(0, 1, 1), and (REG5~0)=(100000)

$$V1 = (1 + Rb/Ra) \cdot V_{EV} * (94\% \sim 97\%) = 4.5 \cdot 1.584 * (94\% \sim 97\%) = 6.7 \sim 6.91 \text{ V}$$

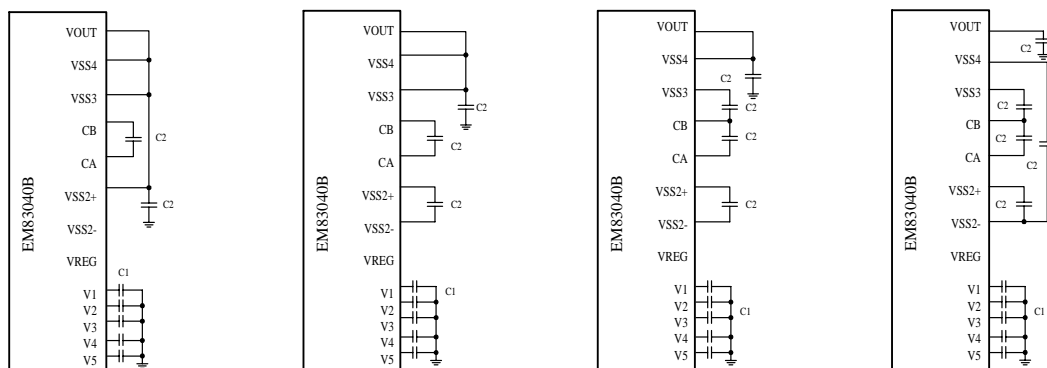
FIG. 8 show the V1 voltage measured by values of the internal resistance ratio resistor (1+Rb/Ra) for V1 voltage adjustment and electric volume resistor (REG5~REG0).

FIG. 8 The output voltage V1 is determined by function of the V1 voltage regulator ratio register (1+Rb/Ra), and the electric volume resistor (REG5~REG0).

(8) The step-up voltage circuit

Case of the double step-up, the triple step-up and Case of the quad step-up VOUT is output voltage pin the bias voltage V1 is supported from VREG.

(a) Double step-up, (b) Triple step-up, (c) Quad step-up (d) five times step-up $C1=0.47$ to $1.0\mu\text{f}$, $C2=1.0$ to $4.7\mu\text{f}$



(a) $VOUT=2 \cdot VDD$ (b) $VOUT=3 \cdot VDD$ (c) $VOUT=4 \cdot VDD$ (d) $VOUT=5 \cdot VDD$

FIG. 9

Preliminary

(9) Reference circuit examples are as following FIG. 10

- (a) Only the internal power supply is used, control register (PS1, PS0, IRS)=(1,1,0)
- (b) Only the internal power supply is used, control register (PS1, PS0, IRS)=(1,1,1) When internal regulator resistor is not used (external resistor is used), $V1=VREG*(1+Rb'/Ra')$
- (c) Only the V regulator circuit and the V/F circuit are used, control register (PS1, PS0, IRS)=(1,0,0)
- (d) Only the V regulator circuit and the V/F circuit are used, control register (PS1, PS0, IRS)=(1,0,1), When internal regulator resistor is not used (external resistor is used), $V1=VREG*(1+Rb'/Ra')$
- (e) Only the V/F circuit is used, control register (PS1, PS0)=(0,1)
- (f) Only the external power supply is used, control register (PS1, PS0)=(0,0)

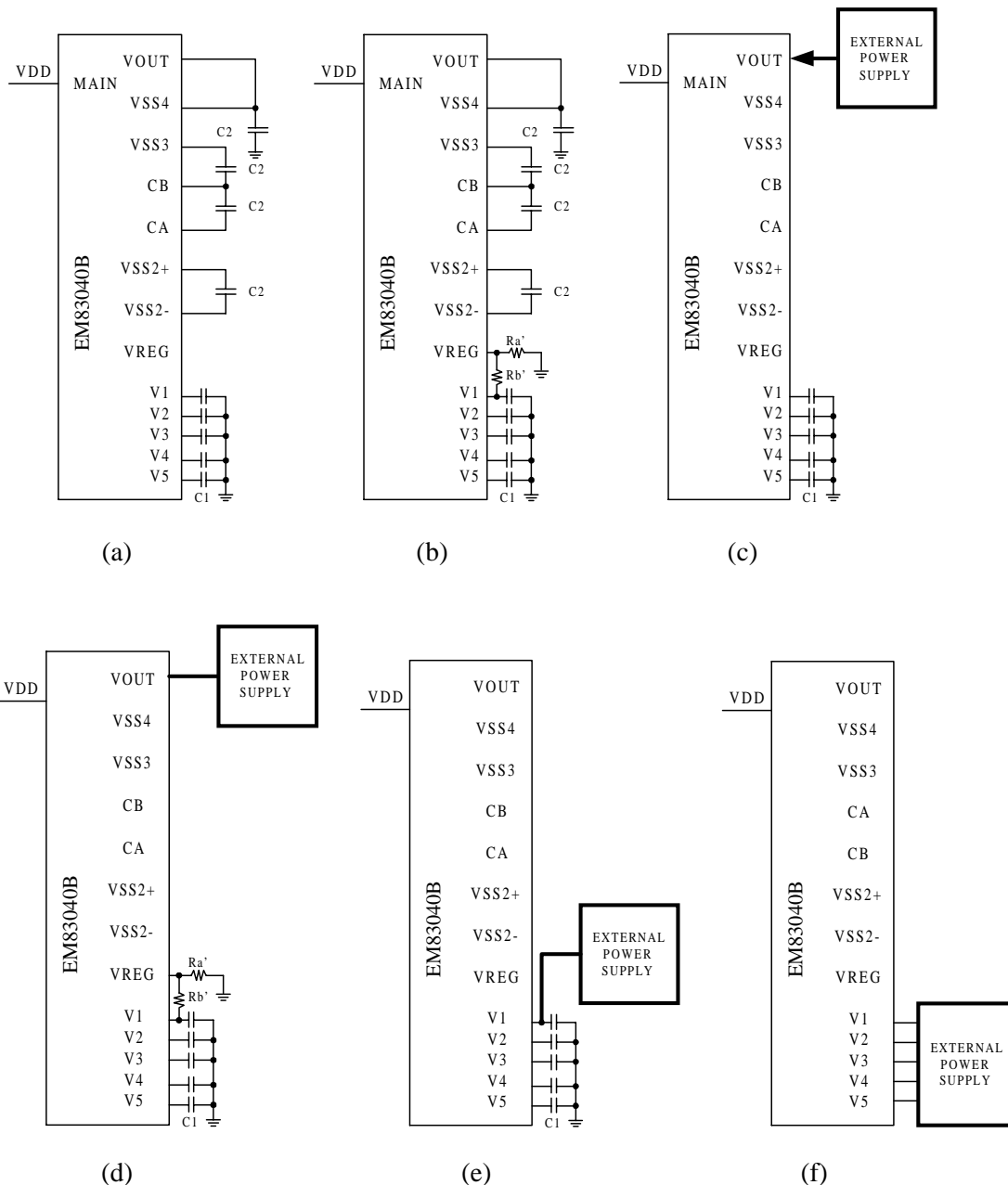


FIG. 10

Preliminary

ABSOLUTE MAXIMUM RATINGS

Rating	Symbol	Value	Unit
DC SUPPLY VOLTAGE	VDD	<3.5	V
INPUT VOLTAGE	Vin	-0.5 TO Vdd ±0.5	V
OPERATING TEMPERATURE RANGE	Ta	-30 TO 80	°C
STEP-UP VOLTAGE	VOUT	<18	V

DC ELECTRICAL CHARACTERISTICS (T_A = -30°C ~ 80°C, V_{DD}=3V±5%, V_{SS}=0V)

Parameter	Sym.	Min.	Typ.	Max.	Unit	Condition
Input voltage	V _{DD}	2.5		5.5	V	With double step-up
		2.5		5.5		With triple step-up
		2.5		4.0		With quad step-up
		2.5		3.3		With five times step-up
Output Low current	I _{OL}	-100			μA	V _{DD} =3V
Standby current	I _{SD}		1	4	μA	EN=1
Operating voltage	I _{OP}		180	220	μA	EN=0, MAIN =1(MASTER) , DC converter enable, Five times step-up (M1, M0)=(1,1) V1=11V, 250KHz clock, No load
			40	70	μA	EN=0 . MAIN =0 (SLAVE) ,DC converter enable, Five times step-up (M1, M0)=(1,1) V1=11V, 250KHz clock, No load
Current of a buffer (V1 toV5)	Ibuf	4	6	10	μA	Current of a buffer
Voltage variation of regulator	Vreg	V-0.1	V	V+0.1	V	
Regulator current	Ireg		10	15	μA	
BIAS resister	R_bias	1800	2000	2200	kΩ	

AC ELECTRICAL CHARACTERISTICS (T_A = -30°C ~ 80°C, V_{DD}=3V V_{SS}=0V)

Parameter	Sym.	Min.	Typ.	Max.	Unit
RC clock variable	Vrc	-20		+20	%
Frame period	Tframe		1/64		S
Load period	Tload		31		μS
Enable time	Ten	30			μS
Write low pulse	Tw	2			μS
Data hold time	Tdh	500			nS
Data to data time	Tdd	2			μS
Data valid time	Tdv	1500			nS

Preliminary

AC TIMING

LCD control timing

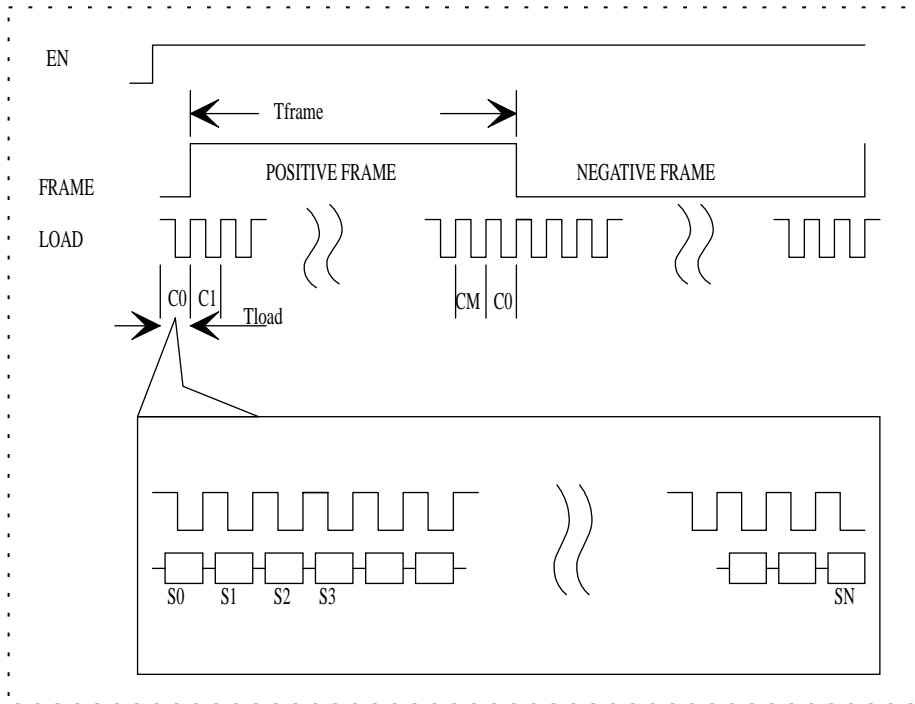


Fig .11 LCD control timing

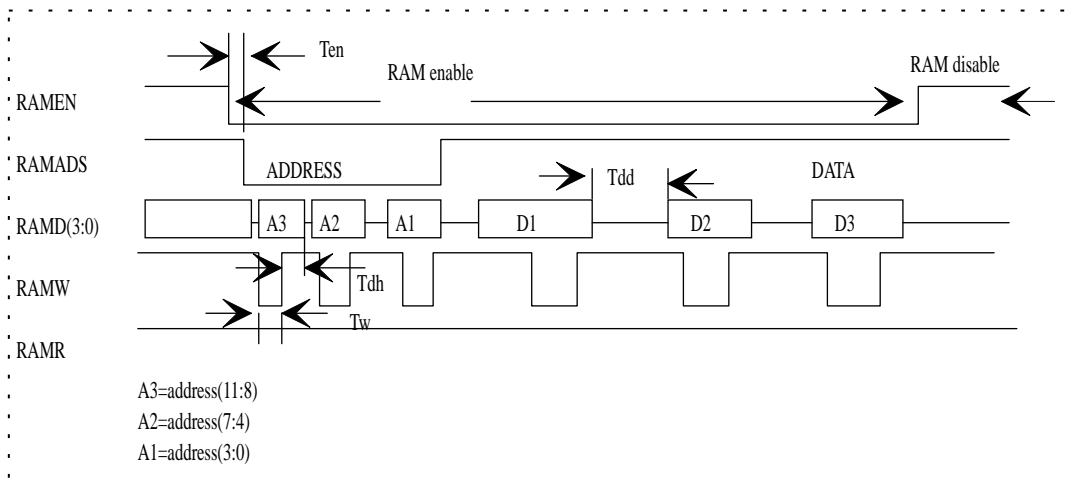


Fig .12 LCD RAM write mode

Preliminary

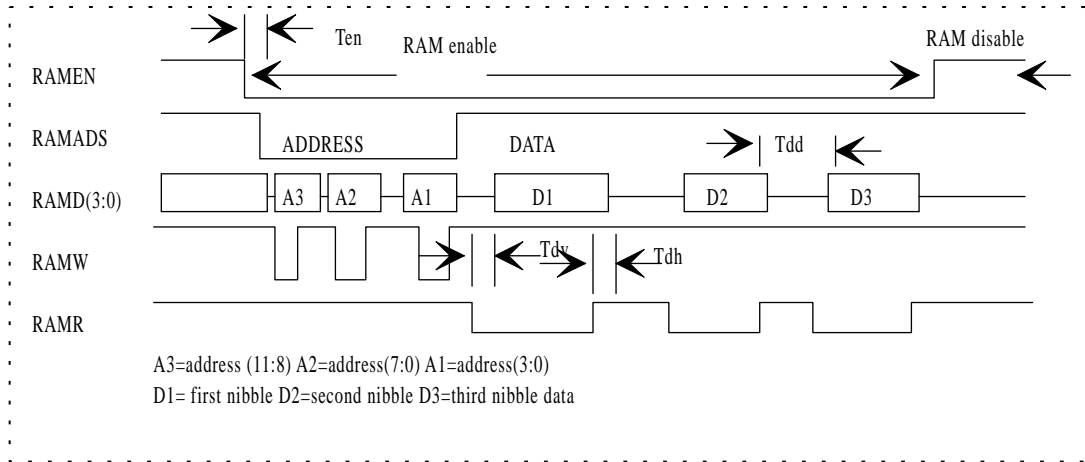


Fig .13 LCD RAM read mode

APPLICATION CIRCUIT

(1) C32 x S48

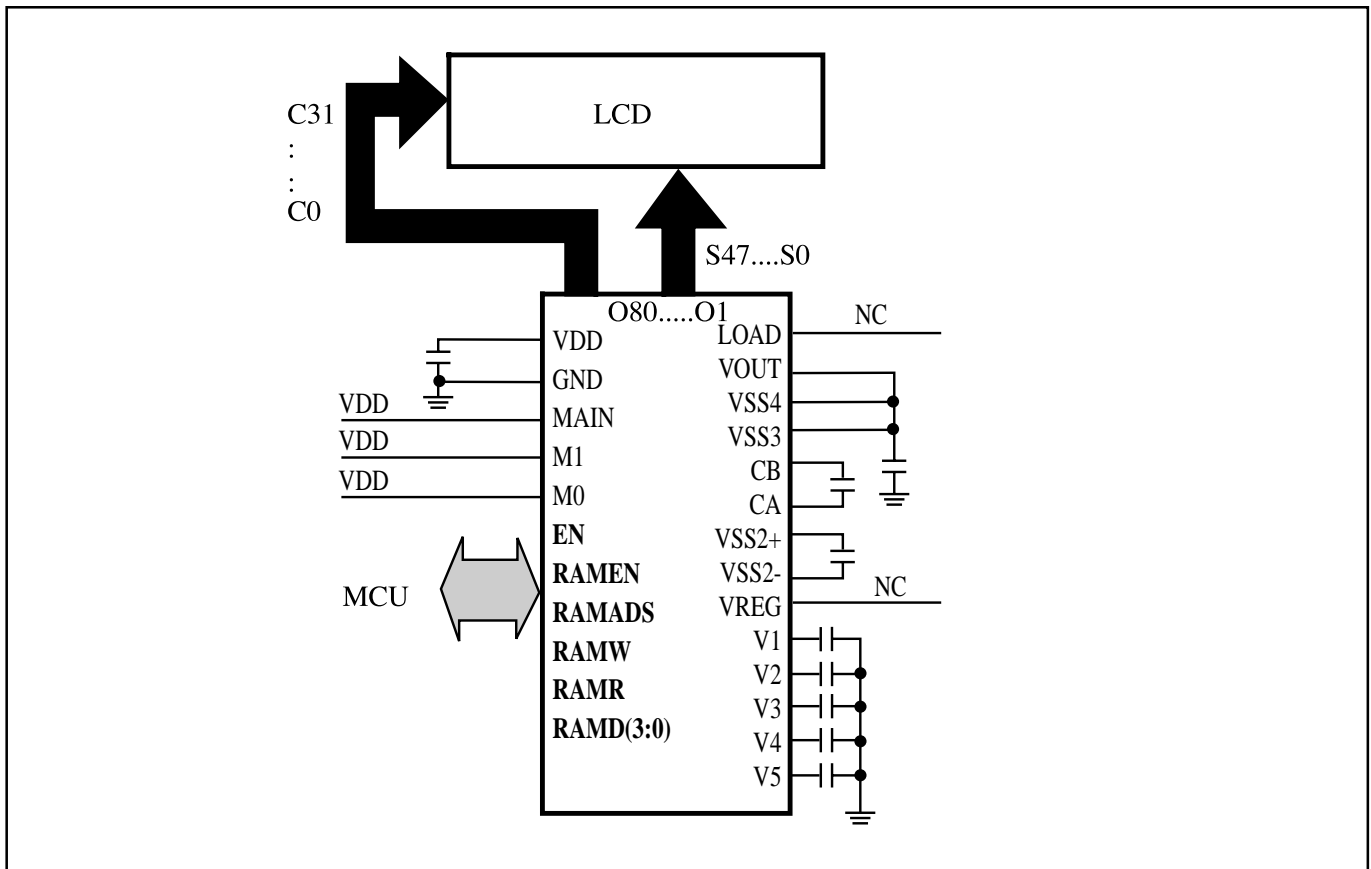


Fig .14

Preliminary

(2) C32 x S128

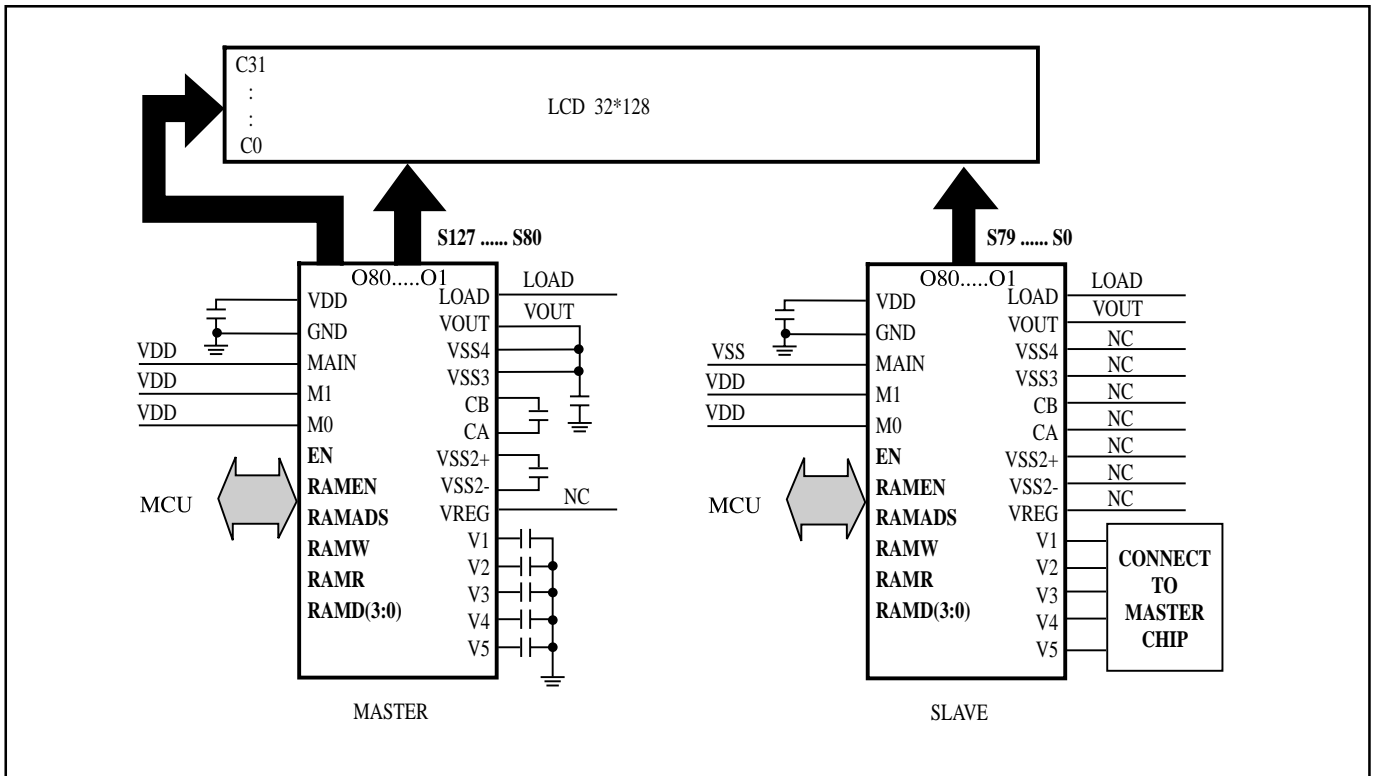


Fig .15

(3) C48 x S112

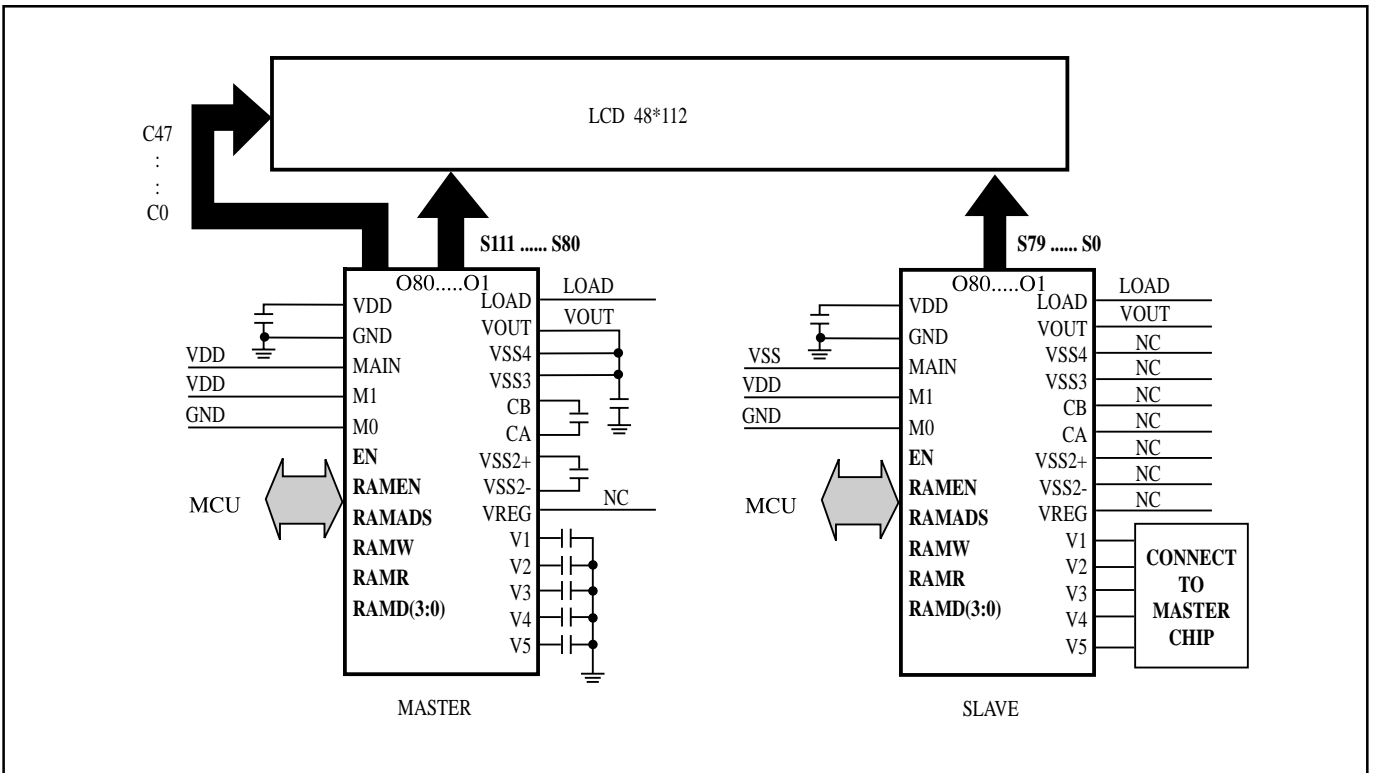


Fig .16

* This specification are subject to be changed without notice.

Preliminary

(4) C64 x S96

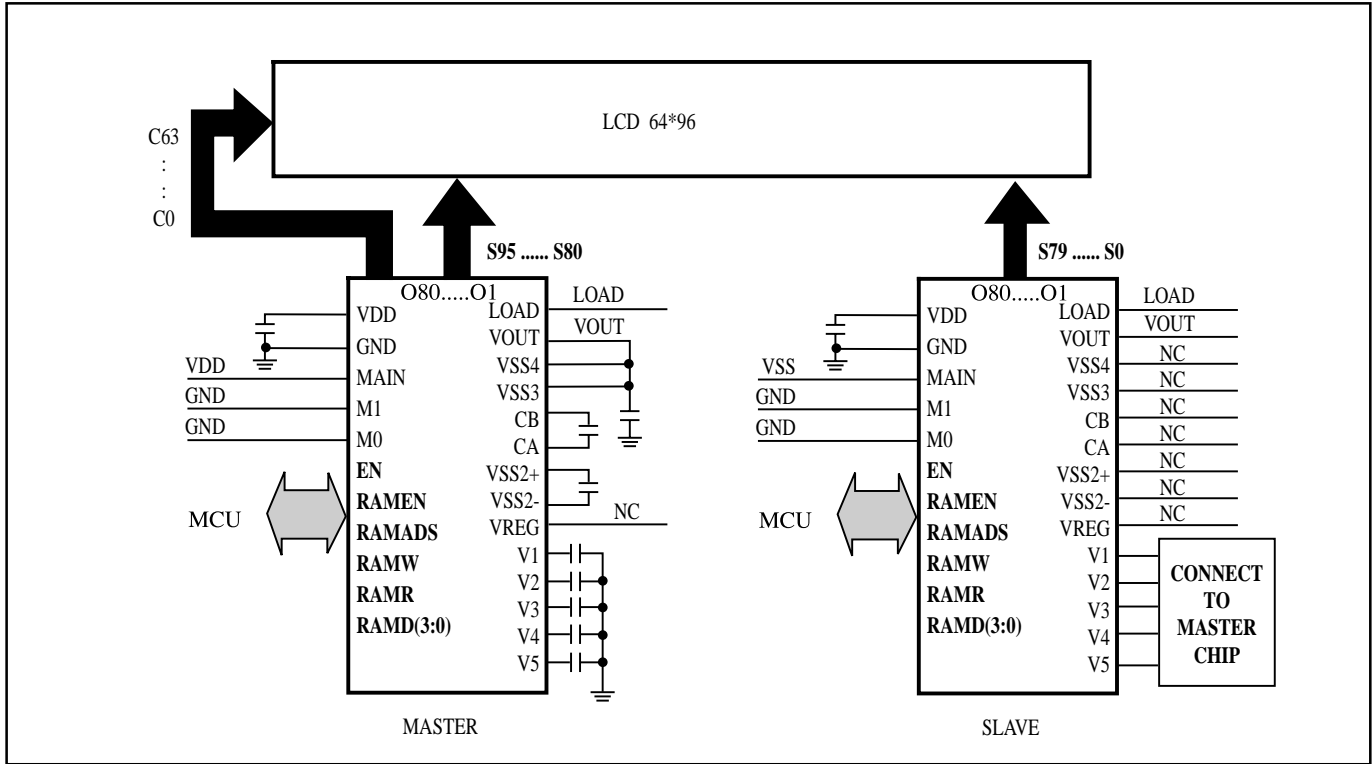


Fig .17

Preliminary

(5) C80 x S160

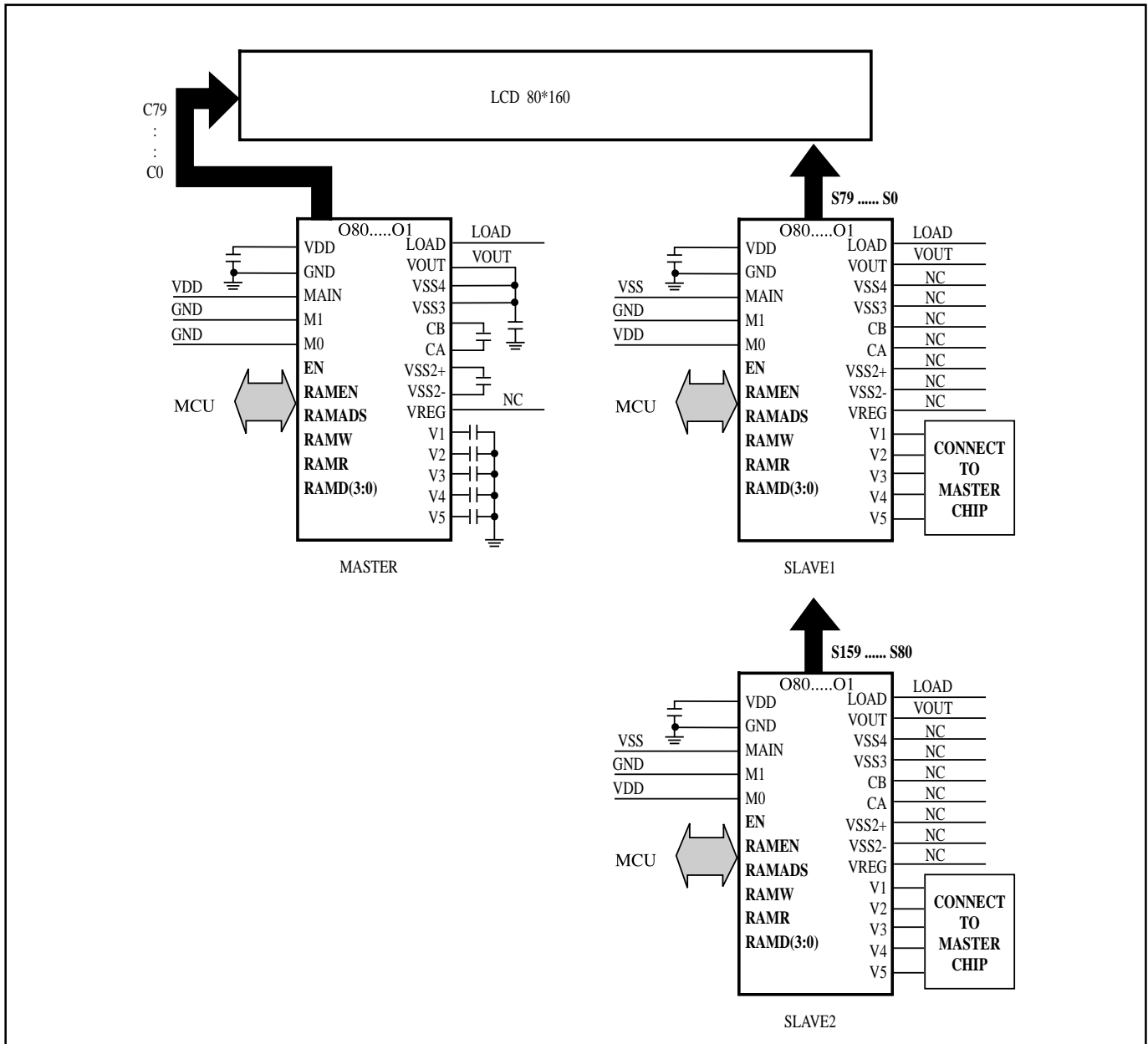
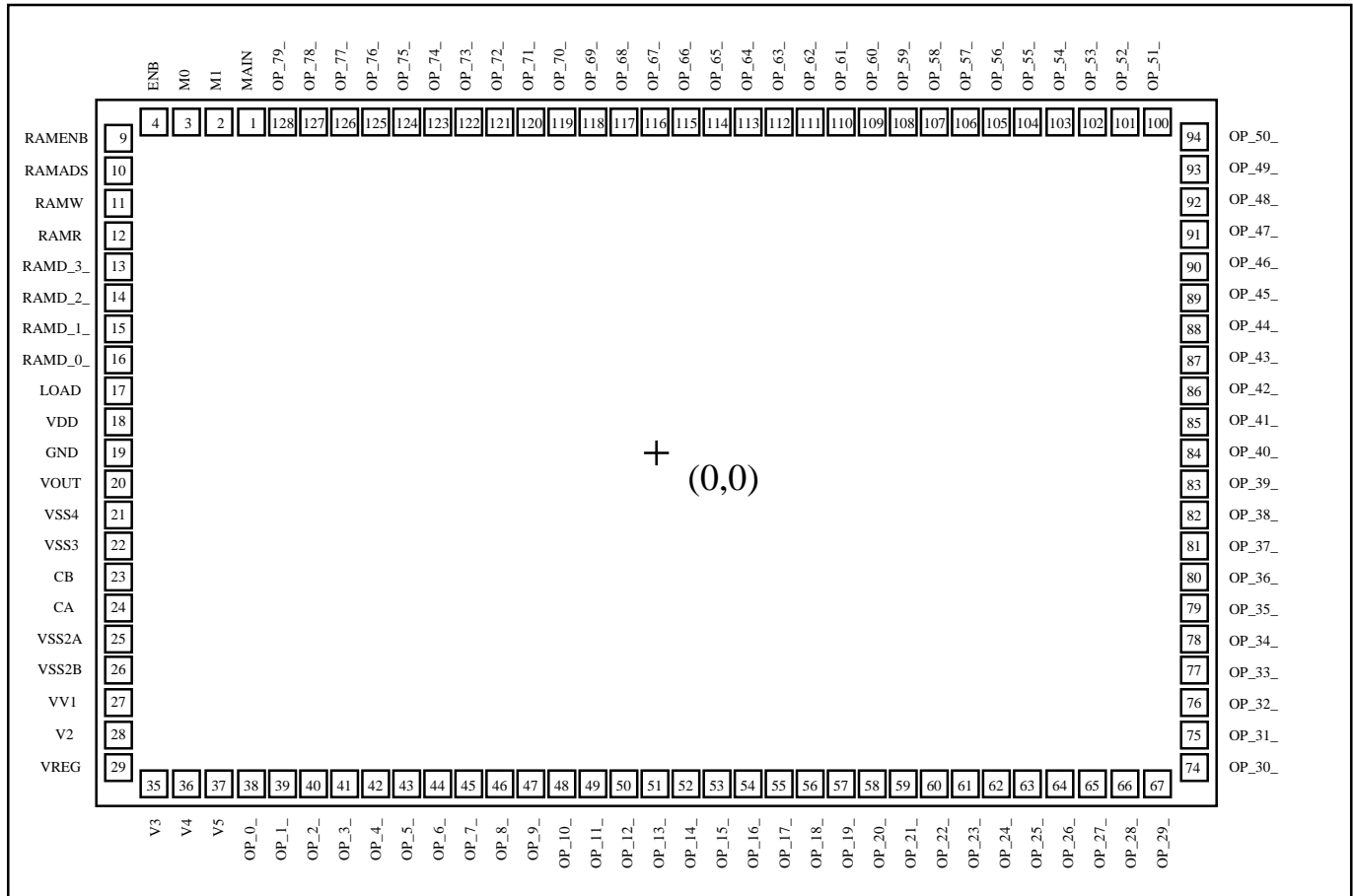


Fig .18

Preliminary

PAD DIAGRAM



Chip Size : 3890 μm x 2500 μm

Pad No.	Sym.	X	Y
1	MAIN	-1370.0	1120.0
2	M1	-1480.0	1120.0
3	M0	-1590.0	1120.0
4	ENB(EN)	-1700.0	1120.0
5			
6			
7			
8			
9	RAMENB(RAMEN)	-1820.0	1065.0
10	RAMADS	-1820.0	955.0
11	RAMW	-1820.0	845.0
12	RAMR	-1820.0	735.0
13	RAMD_3_	-1820.0	630.0
14	RAMD_2_	-1820.0	525.0
15	RAMD_1_	-1820.0	420.0
16	RAMD_0_	-1820.0	315.0
17	LOAD	-1820.0	210.0
18	VDD	-1820.0	105.0
20	GND	-1820.0	0.0

* This specification are subject to be changed without notice.



Preliminary

Pad No.	Sym.	X	Y
21	VSS4	-1820.0	-210.0
22	VSS3	-1820.0	-315.0
23	CB	-1820.0	-420.0
24	CA	-1820.0	-525.0
25	VSS2A(VSS2+)	-1820.0	-630.0
26	VSS2B(VSS2-)	-1820.0	-735.0
27	VV1(V1)	-1820.0	-845.0
28	V2	-1820.0	-955.0
29	VREG	-1820.0	-1065.0
30			
31			
32			
33			
34			
35	V3	-1700.0	-1120.0
36	V4	-1590.0	-1120.0
37	V5	-1480.0	-1120.0
38	OP_0_	-1370.0	-1120.0
39	OP_1_	-1265.0	-1120.0
40	OP_2_	-1160.0	-1120.0
41	OP_3_	-1055.0	-1120.0
42	OP_4_	-950.0	-1120.0
43	OP_5_	-845.0	-1120.0
44	OP_6_	-740.0	-1120.0
45	OP_7_	-635.0	-1120.0
46	OP_8_	-530.0	-1120.0
47	OP_9_	-425.0	-1120.0
48	OP_10_	-320.0	-1120.0
49	OP_11_	-215.0	-1120.0
50	OP_12_	-110.0	-1120.0
51	OP_13_	-5.0	-1120.0
52	OP_14_	100.0	-1120.0
53	OP_15_	205.0	-1120.0
54	OP_16_	310.0	-1120.0
55	OP_17_	415.0	-1120.0
56	OP_18_	520.0	-1120.0
57	OP_19_	625.0	-1120.0
58	OP_20_	730.0	-1120.0
59	OP_21_	835.0	-1120.0
60	OP_22_	940.0	-1120.0
61	OP_23_	1045.0	-1120.0
62	OP_24_	1150.0	-1120.0
63	OP_25_	1255.0	-1120.0
64	OP_26_	1365.0	-1120.0
65	OP_27_	1475.0	-1120.0

* This specification are subject to be changed without notice.



Preliminary

Pad No.	Sym.	X	Y
66	OP_28_	1585.0	-1120.0
67	OP_29_	1695.0	-1120.0
68			
69			
70			
71			
72			
73			
74	OP_30_	1820.0	-1065.0
75	OP_31_	1820.0	-955.0
76	OP_32_	1820.0	-845.0
77	OP_33_	1820.0	-735.0
78	OP_34_	1820.0	-630.0
79	OP_35_	1820.0	-525.0
80	OP_36_	1820.0	-420.0
81	OP_37_	1820.0	-315.0
82	OP_38_	1820.0	-210.0
83	OP_39_	1820.0	-105.0
84	OP_40_	1820.0	0.0
85	OP_41_	1820.0	105.0
86	OP_42_	1820.0	210.0
87	OP_43_	1820.0	315.0
88	OP_44_	1820.0	420.0
89	OP_45_	1820.0	525.0
90	OP_46_	1820.0	630.0
91	OP_47_	1820.0	740.0
92	OP_48_	1820.0	850.0
93	OP_49_	1820.0	960.0
94	OP_50_	1660.0	1115.0
95			
96			
97			
98			
99			
100	OP_51_	1695.0	1120.0
101	OP_52_	1585.0	1120.0
102	OP_53_	1475.0	1120.0
103	OP_54_	1365.0	1120.0
104	OP_55_	1255.0	1120.0
105	OP_56_	1150.0	1120.0
106	OP_57_	1045.0	1120.0
107	OP_58_	940.0	1120.0
108	OP_59_	835.0	1120.0
109	OP_60_	730.0	1120.0

* This specification are subject to be changed without notice.

Preliminary

Pad No.	Sym.	X	Y
110	OP_61_	625.0	1120.0
111	OP_62_	520.0	1120.0
112	OP_63_	415.0	1120.0
113	OP_64_	310.0	1120.0
114	OP_65_	205.0	1120.0
115	OP_66_	100.0	1120.0
116	OP_67_	-5.0	1120.0
117	OP_68_	-110.0	1120.0
118	OP_69_	-215.0	1120.0
119	OP_70_	-320.0	1120.0
120	OP_71_	-425.0	1120.0
121	OP_72_	-530.0	1120.0
122	OP_73_	-635.0	1120.0
123	OP_74_	-740.0	1120.0
124	OP_75_	-845.0	1120.0
125	OP_76_	-950.0	1120.0
126	OP_77_	-1055.0	1120.0
127	OP_78_	-1160.0	1120.0
128	OP_79_	-1265.0	1120.0

* The substrate must be fixed at GND level or floating, cannot fixed to VDD level.