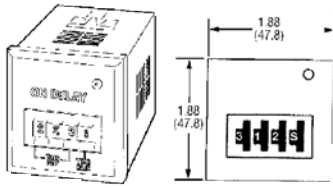
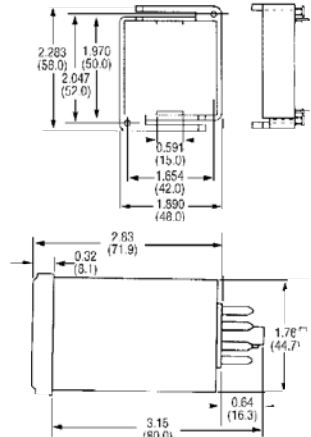


CN1 Series



SSA-24C667 Mounting Clip



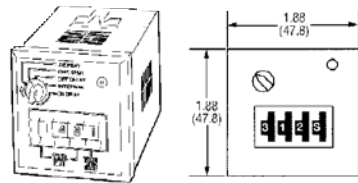
Fits 1.77 x 1.77 (45 mm x 45 mm) panel cutout

**On Delay, Time Delay Relay for Plug-in or Panel Mounting.** Output relay turns on at the end of a programmed time interval which is started by applying input voltage. LED flashes when output relay is off and is on continuously when the output relay is on. Removal of input voltage turns off output relay. Reapplying input voltage resets the unit. **Timing:** 0.1 sec. to 9,990 hr. Adjustable with thumbwheel switches. **Contacts:** 2 form C (DPDT) silver-cadmium oxide alloy. **Input Voltage:** 120 VAC ±15%, 60 Hz. **Rating:** 10 A @ 30 VDC or 277 VAC, resistive; 1/2 HP @ 250 VAC. **Termination:** 8-pin octal style plug. **Enclosure:** Black plastic 1/16 DIN (48 mm x 48 mm) case. **Sockets:** Fits either 27E122 or 27E891 (snap-on) screw terminal sockets. **Weight:** 4.3 oz.

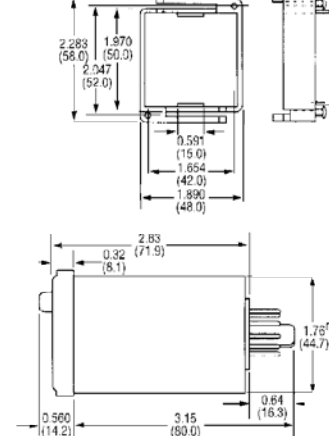
886-0100, Type CN1.....EACH 53.62

**Accessory**  
SSA-24C667 Mounting Clip. Ratchet-fit clip slides onto CNM5 from behind to secure CNM5 in panel mount applications.  
886-0102, SSA-24C667.....EACH 11.87

CNM5 Series



SSA-24C667 Mounting Clip



Fits 1.77 x 1.77 (45 mm x 45 mm) panel cutout.

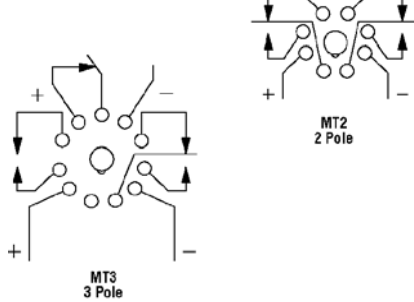
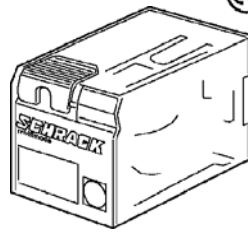
**Multifunction Time Delay Relay for Plug-in or Panel Mounting.** Five timing functions selectable via rotary switch. **Timing:** 0.1 sec. to 9,990 hr. Adjustable with thumbwheel switches. **Contacts:** 2 form C (DPDT) silver-cadmium oxide alloy contacts. **Input Voltage:** 120 VAC ±15%, 60 Hz. **Rating:** 10 A @ 30 VDC or 277 VAC resistive; 1/2 HP @ 250 VAC; 1/3 HP @ 120 VAC. **Termination:** 11-pin octal style plug. **Enclosure:** Black plastic 1/16 DIN (48 mm x 48 mm) case. **Sockets:** Fits either 27E123 or 27E892 (snap-on) screw terminal sockets. **Weight:** 4.3 oz.

886-0101, Type CNM5.....EACH 54.11

**Accessory**  
SSA-24C667 Mounting Clip. Ratchet-fit clip slides onto CNM5 from behind to secure CNM5 in panel mount applications.  
886-0102, SSA-24C667.....EACH 11.87

MT Relays and Modules

MT Multimode Relays

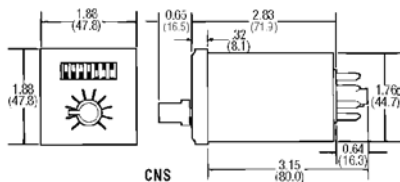
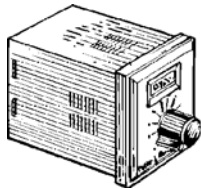


- ▶ DPDT or 3PDT Contact Arrangements
- ▶ 10 A Rating
- ▶ Lockable Push-to-Test Button
- ▶ AC or DC Coils
- ▶ Functional Modules
- ▶ Time Delay Sockets Available
- ▶ Mechanical Indicator — All Models
- ▶ Test Actuator with Front Operated Finger Protected Push to Test Button and Integral Locking Test Tab

**Dimensions:** A — 1.40"; B — 1.40"; C — 2.24". **Weight:** 2.82 oz. **Contacts:** 2 Form C; 3 Form C. **Material:** AgNi. **Maximum Contact Rating:** 10 A at 250 VAC, 30 VDC. **Nominal Coil Power:** DC — 1.2 W; AC — 2.3 V A. All with push-to-test button.

Stock No.	Mfr.'s Type	Volts	Contact Arrang.	EACH		
				1-24	25-99	100-499
886-2094	MT221012	12 VDC	DPDT	9.98	9.40	8.73
886-2095	MT221024	24 VDC	DPDT	9.98	9.40	8.73
886-2096	MT226024	24 VAC	DPDT	10.40	9.79	9.10
886-2097	MT226115	115 VAC	DPDT	10.50	9.89	9.18
886-2098	MT321012	12 VDC	3PDT	11.13	10.48	9.74
886-2099	MT321024	24 VDC	3PDT	11.13	10.48	9.74
886-2100	MT326024	24 VAC	3PDT	10.60	9.98	9.27
886-2114	MT326115	115 VAC	3PDT	11.13	10.48	9.74

CNS Type Multi-Function, DIP Switch Programmable, Knob Adjustable, Time Delay Relay



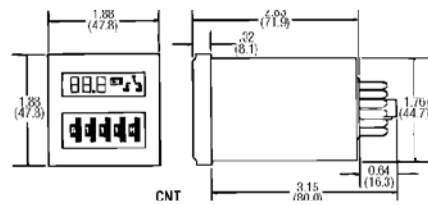
CNS

CNS series are economical, multi-functional, programmable, time delay relays housed in 1/16 DIN style enclosures. Available programmable functions in units with 8-pin octal-style bases are delay on operate, interval on, recycler — initially on and recycler — initially off. Units with 11-pin octal-style bases provide those timing functions plus delay on release, interval off, inverted delay on release and an additional interval on function. Timing function and range is selected by a DIP switch, and actual delay time is set with an adjustment knob and calibrated dial. Delay is selectable on all units from 0.1 sec. to 100 min. All models have DPDT output contacts rated 10 amps @ 240 VAC/30 VDC. Operating temperature range is -10°C to +55°C.

Stock No.	Mfr.'s Type	Input		Pins*	EACH		
		Voltage	Max. Power		1-24	25-49	50-99
886-7072	CNS-35-72	120 VAC	3 VA	8	69.28	62.98	57.73
886-7073	CNS-35-76	120 VAC	3 VA	11	56.84	51.67	47.37
886-7074	CNS-35-92	24-240 VAC/VDC	1-10 VA or watts	8	66.46	60.42	55.39
886-7075	CNS-35-96	24-240 VAC/VDC	1-10 VA or watts	11	85.78	77.98	71.48

\*8-pin units provide four timing functions, and 11-pin units provide eight timing functions.

CNT Type 12-Function Digitally Programmable Time Delay Relay/Counter



CNT

CNT series are multi-functional, programmable, time delay relays/counters housed in 1/16 DIN style enclosures with an octal-style 11-pin plug-in. The units feature thumbwheel switches for digital programming. An LCD digital readout permits easy monitoring of status. Available programmable functions are delay on operate, delay on release, three interval on functions, delay on operate and release, cumulative delay on operate, 50% duty cycle recycler, output pulsing, single cycle, up counter and down counter. Delay is selectable from 0.1 sec. to 9990 hours. Counter range is selectable from 1 to 99,900 counts. All models have DPDT output contacts rated 10 amps @ 240 VAC/30 VDC. Operating temperature range is -10°C to +55°C.

Stock No.	Mfr.'s Type	Input		EACH		
		Voltage	Max. Power	1-24	25-49	50-99
886-7076	CNT-35-26	12 VDC	3 watts @ 12 DC	104.24	94.77	86.87
886-7077	CNT-35-76	120 VAC	3 VA @ 120 VAC	95.82	87.11	79.85
886-7078	CNT-35-96	24-240 VAC/VDC	1-10 VA or watts	94.33	85.75	78.61