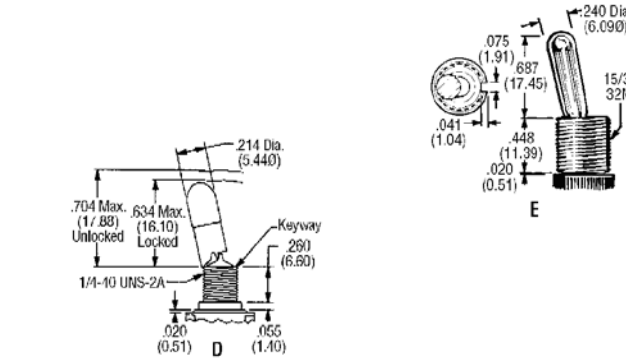
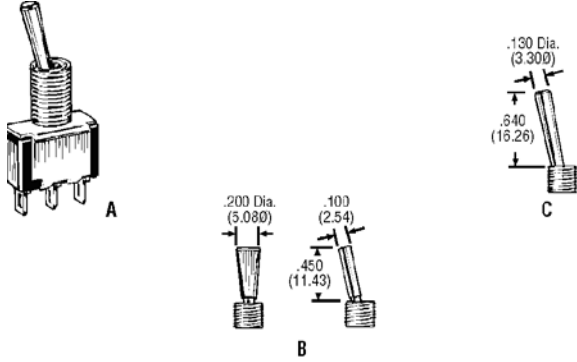


7000 Series Panel-Mounted Toggle Switches



Contact Rating: 5 amps at 120 VAC or 28 VDC; 2 amps at 250 VAC. **Operating Temperature:** -30°C to 85°C. **Toggles:** Brass, chrome plate. **Bushings:** Brass, nickel plated. **End Contact:** Coin silver, silver plated. **Center Contact and Terminals:** Brass, silver plated. **Case:** Red diallyl phthalate. **Included Hardware:** 2 nuts, locking ring, and lockwasher.

Round Toggle

Stock No.	Mfr.'s Type	Fig.	Description	Switch Function*	EACH		
					1-99	100-499	500-999
676-3000	7101SYZQE	A	SPDT	On-None-On	4.04	3.59	3.28
676-3005	7103SYZQE	A	SPDT	On-Off-On	4.45	3.97	3.62
676-3010	7105SYZQE	A	SPDT	Mom.-Off-Mom.	5.58	4.96	4.53
676-3015	7107SYZQE	A	SPDT	On-Off-Mom.	5.58	4.96	4.53
676-3020	7108SYZQE	A	SPDT	On-None-Mom.	5.58	4.96	4.53
676-3025	7201SYZQE	A	DPDT	On-None-On	5.78	5.15	4.71
676-3030	7203SYZQE	A	DPDT	On-Off-On	6.38	5.79	5.29
676-3035	7205SYZQE	A	DPDT	Mom.-Off-Mom.	7.61	6.90	6.31
676-3040	7207SYZQE	A	DPDT	On-Off-Mom.	6.55	5.94	5.43
676-3045	7208SYZQE	A	DPDT	On-None-Mom.	7.82	7.09	6.48
676-3050	7211SYZQE	A	DP3T	On-On-On	8.22	7.48	6.82
676-3055	7213SYZQE	A	DP3T	On-On-Mom.	8.86	8.05	7.35
676-3060	7215SYZQE	A	DP3T	Mom.-On-Mom.	8.86	8.05	7.35
676-3065	7301SYZQE	A	3PDT	On-None-On	11.44	10.50	9.59
676-3070	7303SYZQE	A	3PDT	On-Off-On	12.14	11.13	10.17
676-3075	7305SYZQE	A	3PDT	Mom.-Off-Mom.	15.17	13.92	12.71
676-3080	7401SYZQE	A	4PDT	On-None-On	15.87	14.53	13.30
676-3085	7403SYZQE	A	4PDT	On-Off-On	16.82	15.42	14.09
676-3090	7405SYZQE	A	4PDT	Mom.-Off-Mom.	15.36	14.07	12.87
676-3095	7408SYZQE	A	4PDT	On-None-Mom.	15.36	14.07	12.87
676-3100	7411SYZQE	A	4PDT	On-On-On	19.41	17.78	16.26
676-3105	7413SYZQE	A	4PDT	On-On-Mom.	19.41	17.78	16.26
676-3110	7415SYZQE	A	4PDT	Mom.-On-Mom.	16.24	14.88	13.61

Flatted Toggle

Stock No.	Mfr.'s Type	Fig.	Description	Switch Function*	EACH		
					1-99	100-499	500-999
676-3115	7101P3YZQE	B	SPDT	On-None-On	5.28	4.71	4.30
676-3120	7103P3YZQE	B	SPDT	On-Off-On	6.56	5.84	5.33
676-3125	7105P3YZQE	B	SPDT	Mom.-Off-Mom.	6.70	6.08	5.55
676-3130	7107P3YZQE	B	SPDT	On-Off-Mom.	5.70	5.17	4.72
676-3135	7108P3YZQE	B	SPDT	On-None-Mom.	6.70	6.08	5.55

*Mom. = Momentary.

Flatted Toggle (Continued)

Stock No.	Mfr.'s Type	Fig.	Description	Switch Function*	EACH		
					1-99	100-499	500-999
676-3140	7201P3YZQE	B	DPDT	On-None-On	7.87	7.13	6.52
676-3145	7203P3YZQE	B	DPDT	On-Off-On	8.84	8.02	7.33
676-3150	7205P3YZQE	B	DPDT	Mom.-Off-Mom.	8.84	8.02	7.33
676-3155	7207P3YZQE	B	DPDT	On-Off-Mom.	9.03	8.22	7.50
676-3160	7208P3YZQE	B	DPDT	On-None-Mom.	9.03	8.22	7.50

Long Round Toggle

Stock No.	Mfr.'s Type	Fig.	Description	Switch Function*	EACH		
					1-99	100-499	500-999
676-3165	7101L1YZQE	C	SPDT	On-None-On	4.04	3.59	3.28
676-3175	7201L1YZQE	C	DPDT	On-None-On	5.75	5.12	4.68
676-3180	7203L1YZQE	C	DPDT	On-Off-On	6.34	5.75	5.26
676-3185	7301L1YZQE	C	3PDT	On-None-On	9.61	8.81	8.05

Locking Toggle

Stock No.	Mfr.'s Type	Fig.	Description	Switch Function*	EACH		
					1-99	100-499	500-999
676-3196	7101K2ZQE	D	SPDT	On-None-On	6.31	5.74	5.24
676-3201	7103K2ZQE	D	SPDT	On-Off-On	7.57	6.88	6.27
676-9802	7105K2ZQE	D	SPDT	Mom.-Off-Mom.	7.83	7.11	6.49
676-3211	7107K2ZQE	D	SPDT	On-Off-Mom.	7.83	7.11	6.49
676-3216	7108K2ZQE	D	SPDT	On-None-Mom.	6.83	6.20	5.66
676-3221	7201K2ZQE	D	DPDT	On-None-On	8.01	7.26	6.64
676-7105	7203K2ZQE	D	DPDT	On-Off-On	9.97	9.05	8.27
676-3230	7301K2ZQE	D	3PDT	On-None-On	13.78	12.63	11.55
676-3236	7303K2ZQE	D	3PDT	On-Off-On	12.55	11.50	10.51

Large Round Toggle

Stock No.	Mfr.'s Type	Fig.	Description	Switch Function*	EACH		
					1-99	100-499	500-999
676-3240	7101T2QE	E	SPDT	On-None-On	6.57	5.86	5.35
676-3245	7103T2QE	E	SPDT	On-Off-On	7.03	6.39	5.84
676-3250	7105T2QE	E	SPDT	Mom.-Off-Mom.	7.30	6.63	6.06
676-3255	7108T2QE	E	SPDT	On-None-Mom.	7.30	6.63	6.06
676-3260	7201T2QE	E	DPDT	On-None-On	8.47	7.69	7.03
676-3265	7203T2QE	E	DPDT	On-Off-On	9.44	8.56	7.83
676-3270	7301T2QE	E	3PDT	On-None-On	13.26	12.16	11.11
676-3275	7303T2QE	E	3PDT	On-Off-On	13.96	12.80	11.69
676-3280	7401T2QE	E	4PDT	On-None-On	17.68	16.22	14.81

*Mom. = Momentary.

7000 Series PC-Mounted Toggle Switches

Operating Temperature: -30°C to 85°C. **Toggle:** Brass, chrome plated. **Bushing:** Brass, nickel plated. **Case:** Red diallyl phthalate. 0.185" terminal spacing.

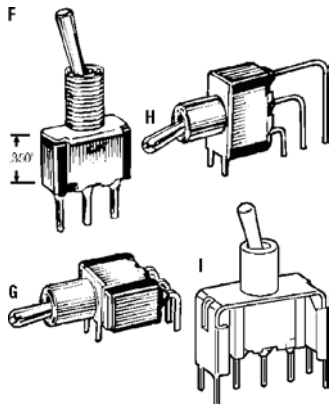
Models Not Right Angle Mounted. Contact Rating: 5 amps at 120 VAC or 28 VDC; 2 amps at 250 VAC. **End Contact:** Coin silver, silver plated. **Center Contact and Terminals:** Brass, silver plated.

Right Angle Mounted Models. Contact Rating: 0.4 VA max. at 20 VAC or VDC max. **Contacts and Terminals:** Brass, with gold plate over nickel plate.

PC Terminals

Stock No.	Mfr.'s Type	Fig.	Description	Switch Function*	EACH		
					1-99	100-499	500-999
676-3400	7101SYCQE	F	SPDT	On-None-On	4.13	3.68	3.36
676-3405	7103SYCQE	F	SPDT	On-Off-On	5.39	4.80	4.39
676-3410	7105SYCQE	F	SPDT	Mom.-Off-Mom.	5.67	5.05	4.61
676-3415	7107SYCQE	F	SPDT	On-Off-Mom.	5.67	5.05	4.61

*Mom. = Momentary.



PC Terminals (Continued)

Stock No.	Mfr.'s Type	Fig.	Description	Switch Function*	EACH		
					1-99	100-499	500-999
676-3420	7108SYCQE	F	SPDT	On-None-Mom.	6.94	6.15	5.63
676-3425	7201SYCQE	F	DPDT	On-None-On	5.79	5.25	4.80
676-3430	7203SYCQE	F	DPDT	On-Off-On	7.76	7.04	6.43
676-3440	7207SYCQE	F	DPDT	On-Off-Mom.	6.66	6.05	5.52
676-3445	7208SYCQE	F	DPDT	On-None-Mom.	7.97	7.24	6.60

PC Terminals/Right Angle Mtg.

Stock No.	Mfr.'s Type	Fig.	Description	Switch Function*	EACH		
					1-99	100-499	500-999
676-3450	7101MD9ABE	G	SPDT	On-None-On	5.16	4.60	4.21
676-3455	7103MD9ABE	G	SPDT	On-Off-On	8.03	7.12	6.52
676-3460	7105MD9ABE	G	SPDT	Mom.-Off-Mom.	6.03	5.37	4.91
676-3470	7108MD9ABE	G	SPDT	On-None-Mom.	6.03	5.37	4.91
676-3475	7201MD9ABE	G	DPDT	On-None-On	6.48	5.87	5.37
676-3480	7203MD9ABE	G	DPDT	On-Off-On	8.44	7.65	7.00

PC Terminals/Vertical Right Angle Mtg.

Stock No.	Mfr.'s Type	Fig.	Description	Switch Function*	EACH		
					1-99	100-499	500-999
676-3485	7101MD9AV2BE	H	SPDT	On-None-On	5.37	4.79	4.38
676-3490	7103MD9AV2BE	H	SPDT	On-Off-On	5.98	5.33	4.86
676-3500	7201MD9AV2BE	H	DPDT	On-None-On	7.86	7.15	6.53
676-3510	7207MD9AV2BE	H	DPDT	On-Off-Mom.	7.73	7.03	6.42

PC Terminals/Vertical Support Bracket

Stock No.	Mfr.'s Type	Fig.	Description	Switch Function*	EACH		
					1-99	100-499	500-999
676-9171	7101MD9V3BE	I	SPDT	On-None-On	5.54	4.90	4.52
676-9172	7103MD9V3BE	I	SPDT	On-Off-On	5.29	4.68	4.32
676-9173	7201MD9V3BE	I	DPDT	On-None-On	7.81	6.90	6.37

*Mom. = Momentary.