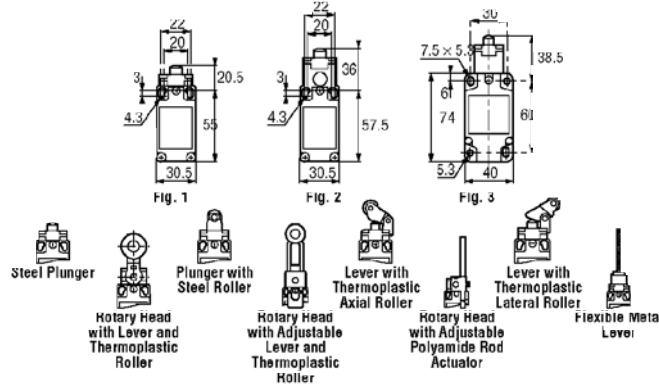


Universal Limit Switches with Positive Opening



Body, head and actuator arm are pre-assembled with only one part number to order. Standard limit switches have a SPDT-DB positive opening contacts. Manual reset limits have a slow break SPDT-DB with positive opening contacts. All models feature a 1/2" NPT fitting. Metric fittings are available by request.

Steel Plunger

| Stock No. | Mr.'s Type | Fig. | Description | EACH |
|-----------|------------|------|-----------------------|-------|
| 793-1200 | 83852001 | 1 | Metal body | 19.98 |
| 793-1209 | 83853001 | 1 | Plastic body | 32.00 |
| 793-1227 | 83856001 | 2 | Manual reset, metal | 51.00 |
| 793-1234 | 83857001 | 2 | Manual reset, plastic | 37.50 |
| 793-1218 | 83862001 | 3 | Metal body | 57.00 |

Plunger with Steel Roller

| | | | | |
|----------|----------|---|-----------------------|-------|
| 793-1201 | 83852501 | 1 | Metal body | 19.98 |
| 793-1210 | 83853501 | 1 | Plastic body | 28.00 |
| 793-1228 | 83856511 | 2 | Manual reset, metal | 51.00 |
| 793-1235 | 83857511 | 2 | Manual reset, plastic | 39.09 |
| 793-1219 | 83862501 | 3 | Metal body | 57.00 |

Lever with Thermoplastic Axial Roller

| | | | | |
|----------|----------|---|-----------------------|-------|
| 793-1202 | 83852101 | 1 | Metal body | 28.12 |
| 793-1211 | 83853101 | 1 | Plastic body | 20.74 |
| 793-1229 | 83856111 | 2 | Manual reset, metal | 59.00 |
| 793-1236 | 83857111 | 2 | Manual reset, plastic | 48.50 |
| 793-1220 | 83862101 | 3 | Metal body | 60.00 |

Lever with Thermoplastic Lateral Roller

| | | | | |
|----------|----------|---|-----------------------|-------|
| 793-1203 | 83852201 | 1 | Metal body | 41.50 |
| 793-1212 | 83853201 | 1 | Plastic body | 33.00 |
| 793-1230 | 83856211 | 2 | Manual reset, metal | 59.00 |
| 793-1237 | 83857211 | 2 | Manual reset, plastic | 48.50 |
| 793-1221 | 83862201 | 3 | Metal body | 60.00 |

Rotary Head with Lever and Thermoplastic Roller

| | | | | |
|----------|----------|---|--------------------------------------|-------|
| 793-1204 | 83852301 | 1 | Metal body — straight arm | 41.00 |
| 793-1213 | 83853301 | 1 | Plastic body — straight arm | 28.00 |
| 793-1231 | 83856311 | 2 | Manual reset, metal — straight arm | 51.00 |
| 793-1238 | 83857311 | 2 | Manual reset, plastic — straight arm | 41.00 |
| 793-1222 | 83862301 | 3 | Metal body | 64.50 |
| 793-1205 | 83852302 | 1 | Metal body — offset arm | 19.05 |
| 793-1214 | 83853302 | 1 | Plastic body — offset arm | 28.00 |
| 793-1232 | 83856312 | 2 | Manual reset, metal — offset arm | 51.00 |
| 793-1239 | 83857312 | 2 | Manual reset, plastic — offset arm | 41.00 |
| 793-1223 | 83862302 | 3 | Metal body — offset arm | 64.50 |

Rotary Head with Adjustable Lever and Thermoplastic Roller

| | | | | |
|----------|----------|---|-----------------------|-------|
| 793-1206 | 83852303 | 1 | Metal body | 21.30 |
| 793-1215 | 83853303 | 1 | Plastic body | 20.00 |
| 793-1233 | 83856313 | 2 | Manual reset, metal | 56.00 |
| 793-1240 | 83857313 | 2 | Manual reset, plastic | 42.50 |
| 793-1224 | 83862303 | 3 | Metal body | 69.00 |

Rotary Head with Adjustable Polyamide Rod Actuator

| | | | | |
|----------|----------|---|--------------|-------|
| 793-1207 | 83852304 | 1 | Metal body | 35.00 |
| 793-1216 | 83853304 | 1 | Plastic body | 30.00 |
| 793-1225 | 83862304 | 3 | Metal body | 69.00 |

Flexible Metal Lever

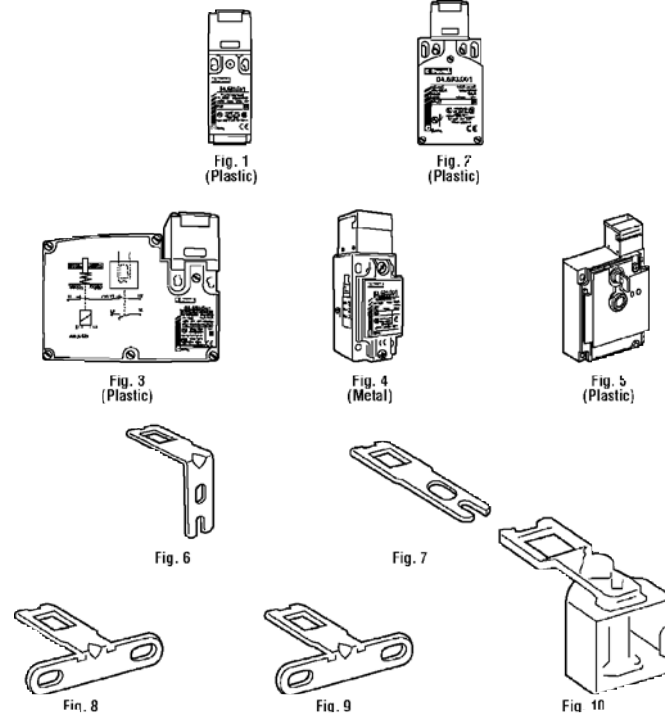
| | | | | |
|----------|----------|---|--------------|-------|
| 793-1208 | 83852601 | 1 | Metal body | 21.61 |
| 793-1217 | 83853601 | 1 | Plastic body | 18.00 |
| 793-1226 | 83862601 | 3 | Metal body | 49.67 |

Foot Switches

793-1352, 83895101. Foot switch with shroudEACH 150.00
793-1354, 83895001. Foot switch without shroudEACH 50.00

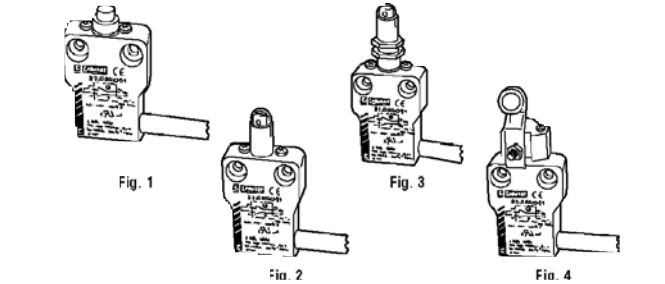


Key Lock Limit Switches



| Stock No. | Mr.'s Type | Fig. | Description | EACH |
|-----------|------------|------|----------------------|--------|
| 793-1300 | 83893001 | 1 | NO+NC | 93.99 |
| 793-1302 | 83893010 | 1 | NC+NC | 93.99 |
| 793-1304 | 83893120 | 2 | NO+NO+NC | 53.00 |
| 793-1306 | 83893130 | 2 | NO+NC+NC | 53.00 |
| 793-1308 | 83893201 | 3 | 24 V AC/DC NO+NC | 225.00 |
| 793-1310 | 83893202 | 3 | 120 V AC/DC NO+NC | 225.00 |
| 793-1312 | 83893203 | 3 | 230 V AC/DC NO+NC | 225.00 |
| 793-1314 | 83894020 | 4 | NC+NO+NO | 82.00 |
| 793-1315 | 83894130 | 5 | 24 V AC/DC NO+NC+NC | 260.00 |
| 793-1317 | 83894131 | 5 | 120 V AC/DC NO+NC+NC | 290.00 |
| 793-1319 | 83894132 | 5 | 230 V AC/DC NO+NC+NC | 290.00 |
| 793-1321 | 83894120 | 5 | 24 V AC/DC NO+NO+NC | 260.00 |
| 793-1323 | 83894121 | 5 | 110 AC/DC NO+NO+NC | 290.00 |
| 793-1327 | 83894122 | 5 | 230 V AC/DC NO+NO+NC | 290.00 |
| 793-1328 | 79214584 | 6 | Key for Fig. 1, 2, 3 | 5.00 |
| 793-1330 | 79214581 | 7 | Key for Fig. 1, 2, 3 | 5.00 |
| 793-1332 | 79214582 | 8 | Key for Fig. 1, 2, 3 | 5.00 |
| 793-1334 | 79214585 | 9 | Key for Fig. 1, 2, 3 | 5.00 |
| 793-1336 | 79214583 | 10 | Key for Fig. 1, 2, 3 | 18.00 |
| 793-1338 | 79214578 | 7 | Key for Fig. 4, 5 | 8.00 |
| 793-1340 | 79214579 | 8 | Key for Fig. 4, 5 | 8.00 |
| 793-1342 | 79214580 | 10 | Key for Fig. 4, 5 | 25.00 |

Positive Opening Enclosed Limit Switches



Switches come standard with SPDT-DB positive opening contacts, 2.0 meter cable, UL, cUL and CE compliant. Standard cable exit is from the side. Mounting holes are standard 1" centers. Options include: cable to length, cable exit from the bottom, connector output from the bottom or side, rotated heads, and various actuator arms.

| Stock No. | Mr.'s Type | Fig. | Description | EACH |
|-----------|------------|------|--------------------------------|-------|
| 793-8395 | 83880102 | 1 | Top mounted plunger | 55.20 |
| 793-8396 | 83881102 | 2 | Top mounted roller plunger | 64.20 |
| 793-8397 | 83882102 | 3 | Threaded barrel roller plunger | 70.20 |
| 793-8398 | 83883102 | 4 | Side rotary with straight arm | 65.20 |