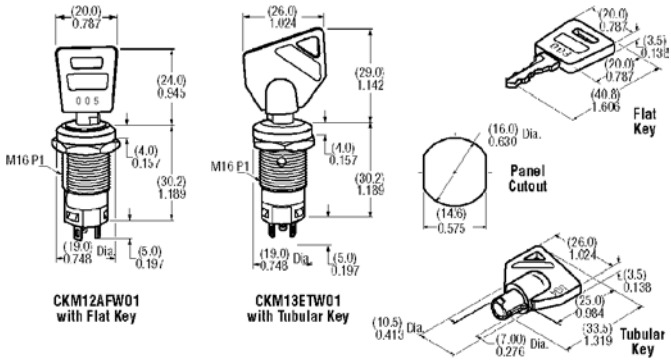


**16 mm High Security Antistatic**

**NEW**

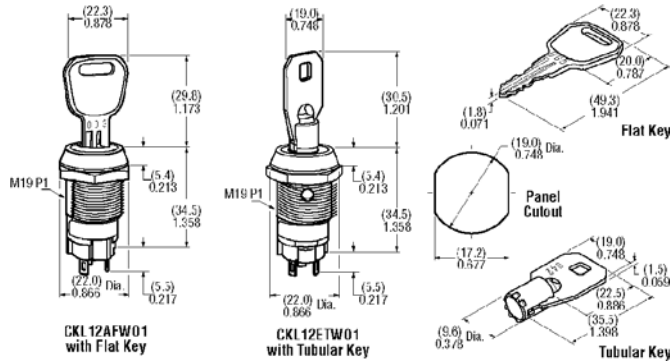


Single pole with 16 mm dia. bushing, silver contacts, high insulating material (15 kV ESD) and epoxy sealed solder lug terminals. Terminals have 0.047" x 0.094" holes. Face and bezel have black matte finish. 1 key with PBT handle provided with each switch. **Electrical Capacity:** 3 A @ 250 VAC. **Dielectric Strength:** 1,500 VAC minimum between contacts and case. **Mechanical Life:** 30,000 cycles minimum. **Electrical Life:** 10,000 cycles minimum. **Operating Torque:** Flat Key — 0.04 millinewton/meter (5.67 ounce/in.); Tubular Key — 0.08 millinewton/meter (11.33 ounce/in.). **Ambient Temperature:** -10°C through +70°C. **Angle of Throw:** 90° for on-none-on models and 45° for on-off-on models. **Panel Thickness:** 0.496". **Standard Hardware:** 1 hex nut.

Stock No.	Mfr.'s Type	Circuit			Key Removable Position	EACH		
		Pos. 1	Pos. 2	Pos. 3		1-24	25-49	50-99
870-5550	CKM12AFW01	on	none	on	1 and 3	12.59	11.54	10.66
870-5551	CKM12BFW01	on	none	on	1	12.59	11.54	10.66
870-5552	CKM13EFW01	on	off	on	2	13.93	12.77	11.78
870-5553	CKM12ATW01	on	none	on	1 and 3	12.59	11.54	10.66
870-5554	CKM12BTW01	on	none	on	1	12.59	11.54	10.66
870-5555	CKM13ETW01	on	off	on	2	13.93	12.77	11.78

**19 mm High Security**

**NEW**

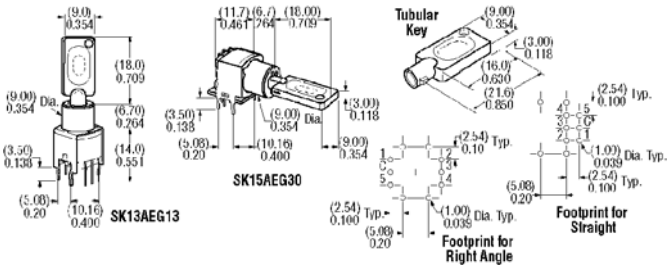


Single pole with 19 mm dia. bushing, silver contacts, and epoxy sealed solder lug terminals. Terminals have 0.055" x 0.0217" holes. Face and bezel have a brass with chrome or nickel finish. 1 key of chrome over brass provided with each switch. **Electrical Capacity:** 3 A @ 250 VAC. **Dielectric Strength:** 1,500 VAC minimum between contacts and case. **Mechanical Life:** 30,000 cycles minimum. **Electrical Life:** 10,000 cycles minimum. **Operating Torque:** Flat Key — 0.05 millinewton/meter (7.08 ounce/in.); Tubular Key — 0.07 millinewton/meter (9.91 ounce/in.). **Ambient Temperature:** -25°C through +70°C. **Angle of Throw:** 90° for on-none-on models and 45° for on-off-on models. **Panel Thickness:** 0.496". **Standard Hardware:** 1 hex nut and 1 locking ring.

Stock No.	Mfr.'s Type	Circuit			Key Removable Position	EACH		
		Pos. 1	Pos. 2	Pos. 3		1-24	25-49	50-99
870-5556	CKL12AFW01	on	none	on	1 and 3	12.76	11.70	10.80
870-5557	CKL12BFW01	on	none	on	1	12.76	11.70	10.80
870-5558	CKL13EFW01	on	off	on	2	14.08	12.90	11.91
870-5559	CKL12ATW01	on	none	on	1 and 3	12.76	11.70	10.80
870-5560	CKL12BTW01	on	none	on	1	12.76	11.70	10.80
870-5562	CKL13ETW01	on	off	on	2	14.08	12.90	11.91

**Antistatic PC Subminiature Low Security**

**NEW**

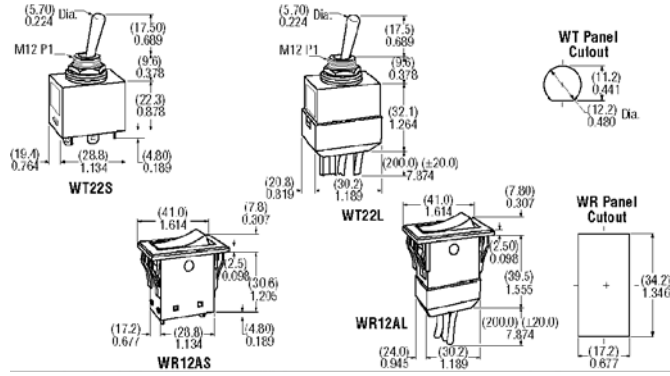


Single pole. Straight PC with bracket. Gold contacts. Two polyacetal keys supplied with each switch. **Electrical Capacity:** 0.4 A @ 28 VAC/DC. **Dielectric Strength:** 500 VAC minimum. **Mechanical Life:** 30,000 cycles minimum. **Electrical Life:** 20,000 cycles minimum. **Operating Torque:** 2.039 grams-cm. **Ambient Temperature:** -25°C through +70°C. **Angle of Throw:** 90° for 3 position models and 45° for 5 position models.

Stock No.	Mfr.'s Type	Circuit					Key Removable Position	EACH		
		Pos. 1	Pos. 2	Pos. 3	Pos. 4	Pos. 5		1-24	25-49	50-99
870-5563	SK13AEG13	on	on	on	none	none	1, 2, 3	11.22	10.29	9.49
870-5564	SK15AEG13	on	on	on	on	on	1, 2, 3, 4, 5	11.83	10.85	10.01
870-5565	SK13AEG30	on	on	on	none	none	1, 2, 3	11.74	10.76	9.93
870-5566	SK15AEG30	on	on	on	on	on	1, 2, 3, 4, 5	12.35	11.32	10.45

**Environmentally Sealed Switches**

**NEW**



For use in outdoor or harsh applications. **Toggles:** Single and double pole. **Rockers:** Single pole, silver contacts, epoxy sealed solder lug terminals or 8" wire leads. Meets IP67 of IEC529 standards. Solder lug terminals have 0.094" dia. holes. Solder lug models dust tight and water protected at front panel, wire lead models also dust tight and water protected behind panel. **Electrical Capacity:** Toggles — 1 A @ 125 VAC; Rockers — 15 A @ 125 VAC. **Dielectric Strength:** Toggles — 1,500 VAC minimum; Rockers — 3,750 VAC minimum between contacts and case. **Mechanical Life:** Toggles — 15,000 operations minimum; Rockers — 30,000 operations minimum. **Electrical Life:** 15,000 operations minimum. **Operating Temperature:** -30°C through +70°C. **Additional Specifications for Toggles Only:** **Angle of Throw:** 24°. **Panel Thickness:** 0.157". **Standard Hardware:** 1 hex nut, 1 locking ring, 1 O-ring.

Stock No.	Mfr.'s Type*	Pole Throw	Circuit	EACH		
				1-24	25-49	50-99
870-5573	WT11S	SPST	on-none-off	10.20	9.35	8.63
870-5574	WT12S	SPDT	on-none-on	10.81	9.91	9.15
870-5575	WT13S	SPDT	on-off-on	11.37	10.42	9.62
870-5576	WT11L	SPST	on-none-off	24.48	22.44	20.71
870-5577	WT12L	SPDT	on-none-on	25.09	23.00	21.23
870-5578	WT13L	SPDT	on-off-on	25.65	23.51	21.70
870-5579	WT21S	DPST	on-none-off	14.95	13.70	12.65
870-5580	WT22S	DPDT	on-none-on	15.56	14.26	13.17
870-5581	WT23S	DPDT	on-off-on	16.93	15.52	14.33
870-5582	WT21L	DPST	on-none-off	35.35	32.40	29.91
870-5583	WT22L	DPDT	on-none-on	35.96	32.96	30.43
870-5584	WT23L	DPDT	on-off-on	37.33	34.22	31.59

Stock No.	Mfr.'s Type*	Pole Throw	Circuit	EACH		
				1-24	25-49	50-99
870-5567	WR11AS	SPST	on-none-off	12.50	11.46	10.58
870-5568	WR12AS	SPDT	on-none-on	13.26	12.16	11.22
870-5569	WR13AS	SPDT	on-off-on	14.02	12.85	11.86
870-5570	WR11AL	SPST	on-none-off	25.50	23.38	21.58
870-5571	WR12AL	SPDT	on-none-on	26.26	24.07	22.22
870-5572	WR13AL	SPDT	on-off-on	26.78	24.55	22.66

\*S = Solder Lug; L = 8" Wire Lead.