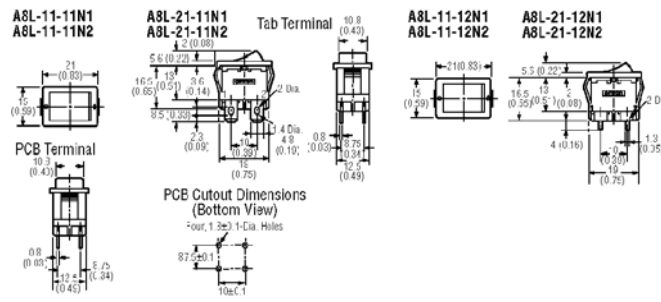


A8L Series Miniature Rocker Switches

NEW

Omron's new miniature 10 A rocker switch. Ideal for high current switching. Withstands inrush up to 100 A due to a unique switching mechanism. Soft touch with firm switching action with an audible click. Easy to mount by snap fitting. Ideal for CPDA and home appliance applications. 3 mm contact gap. Rated 10 A resistive loads @ 125 VAC and 250 VAC. 8 A inductive loads @ 125 VAC and 250 VAC.

Stock No.	Mfr.'s Type	Action	Actuator Markings	Terminals	EACH		
					1-24	25-99	100-499
821-1300	A8L-11-11N1	SPST	—	Solder	1.12	.95	.88
821-1301	A8L-11-12N1	SPST	—	PCB	1.12	.95	.88
821-1302	A8L-11-11N2	SPST	—	Solder	1.30	1.10	1.02
821-1303	A8L-11-12N2	SPST	—	PCB	1.30	1.10	1.02
821-1304	A8L-21-11N1	DPST	—	Solder	1.37	1.16	1.08
821-1305	A8L-21-12N1	DPST	—	PCB	1.37	1.16	1.08
821-1306	A8L-21-11N2	DPST	—	Solder	1.55	1.32	1.22
821-1307	A8L-21-12N2	DPST	—	PCB	1.55	1.32	1.22

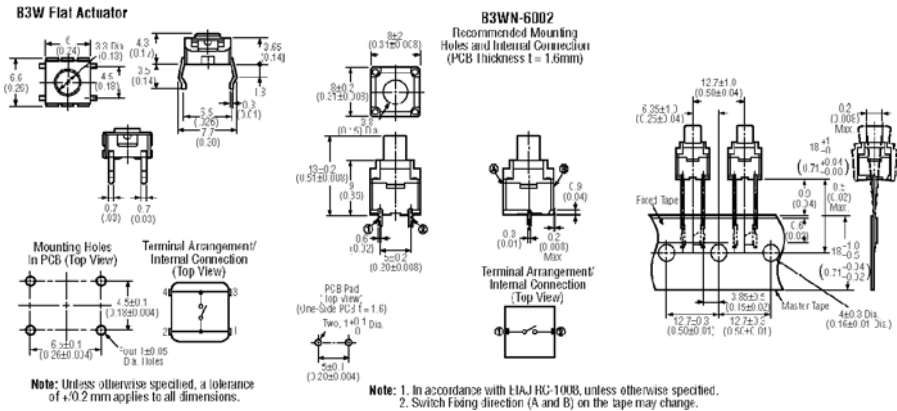


B3W Sealed Mechanical Keyswitches

NEW

The B3W Series Tactile Switches offer sealed construction for automatic soldering and CFC (Freon) cleaning. Available sizes include 6 mm and 12 mm square body styles, with the option of stick packaging for automatic insertion. The dome contact mechanism assures short stroke and a sharp "click" to confirm actuation.

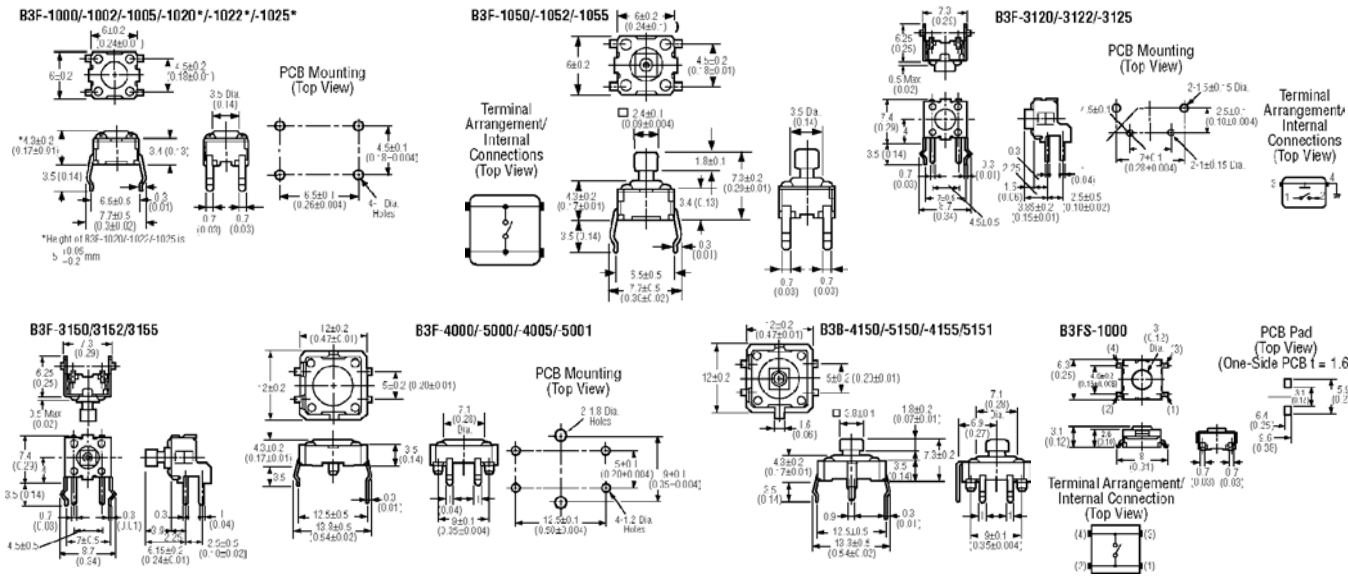
5



Stock No.	Mfr.'s Type	Ground Terminal	Plunger	EACH		
				1-24	25-99	100-499
821-1308	B3W-1000*	No	Flat	.53	.43	.40
821-1309	B3W-1002*	No	Flat	.53	.43	.40
821-1311	B3W-1050*	No	Projected	.53	.43	.40
821-1310	B3W-1052*	No	Projected	.53	.43	.40
821-1312	B3W-1100*	Yes	Flat	.53	.37	.34
821-1313	B3W-1102*	Yes	Flat	.53	.37	.34
821-1314	B3W-1150*	Yes	Projected	.53	.37	.34
821-1315	B3W-1152*	Yes	Projected	.53	.37	.34
821-1316	B3W-4000†	No	Flat	.63	.44	.41
821-1317	B3W-4005†	No	Flat	.63	.44	.41
821-1318	B3W-4050†	No	Projected	.63	.44	.41
821-1319	B3W-4055†	No	Projected	.63	.44	.41
821-1320	B3W-4100†	Yes	Flat	.63	.52	.48
821-1321	B3W-4105†	Yes	Flat	.63	.52	.48
821-1322	B3W-4150†	Yes	Projected	.63	.52	.48
821-1321	B3W-4155†	Yes	Projected	.63	.52	.48

*Switch Height × Pitch: 0.24". Operating Force: 5.6 oz. Size: 0.24" × 0.24".
†Switch Height × Pitch: 0.47". Operating Force: 7.1 oz. Size: 0.47" × 0.47".

Type B3F Mechanical Keyswitches



Flux tight mechanical keyswitch with snap action short keystroke with positive feedback. 50 mA @ 24 VDC resistive load switching capacity. 100 mOhm max. initial contact resistance. **Insulation Resistance:** 100 MΩ @ 250 VDC. Ideal for

applications such as audio, office and communications equipment, measuring instruments, TV, VTRs and etc.

Stock No.	Mfr.'s Type	Switch Height × Pitch	Ground Terminal	Plunger	Operating Force	Size	EACH		
							1-24	25-99	100-499
821-1573	B3F-1000	0.17" × 0.26"	No	Flat	3.5 oz.	0.24" × 0.24"	.27	.24	.22
821-1577	B3F-1002	0.17" × 0.26"	No	Flat	5.3 oz.	0.24" × 0.24"	.31	.29	.26
821-1574	B3F-1020	0.20" × 0.26"	No	Flat	3.5 oz.	0.24" × 0.24"	.32	.30	.27
821-1575	B3F-1050	0.29" × 0.26"	No	Projected	3.5 oz.	0.24" × 0.24"	.32	.30	.27
821-1578	B3F-1052	0.29" × 0.26"	No	Projected	5.3 oz.	0.24" × 0.24"	.32	.30	.27
821-1576	B3F-1100	0.17" × 0.26"	Yes	Flat	3.5 oz.	0.24" × 0.24"	.32	.30	.27
821-1587	B3F-3120	0.15"	Yes	Flat	3.5 oz.	0.24" × 0.24"	.44	.40	.37
821-1588	B3F-3150	0.24"	Yes	Projected	3.5 oz.	0.24" × 0.24"	.43	.39	.35
821-1579	B3F-4000	0.17" × 0.49"	No	Flat	4.6 oz.	0.47" × 0.47"	.45	.41	.36

*Surface Mount

Stock No.	Mfr.'s Type	Switch Height × Pitch	Ground Terminal	Plunger	Operating Force	Size	EACH		
							1-24	25-99	100-499
821-1580	B3F-4100	0.17" × 0.49"	Yes	Flat	4.6 oz.	0.47" × 0.47"	.52	.47	.43
821-1581	B3F-4005	0.17" × 0.49"	No	Flat	9.2 oz.	0.47" × 0.47"	.43	.39	.35
821-1582	B3F-4105	0.17" × 0.49"	Yes	Flat	9.2 oz.	0.47" × 0.47"	.53	.48	.44
821-1583	B3F-5000	0.17" × 0.49"	No	Flat	4.6 oz.	0.47" × 0.47"	.52	.47	.43
821-1584	B3F-5150	0.29" × 0.47"	Yes	Projected	4.6 oz.	0.47" × 0.47"	2.58	2.34	2.14
821-1585	B3F-5151	0.29" × 0.47"	Yes	Projected	4.6 oz.	0.47" × 0.47"	6.38	5.80	5.26
821-1586	B3F-9100	0.29" × 0.47"	No	Red LED	3.5 oz.	0.24" × 0.24"	.53	.47	.43
821-1518	B3FS-1000*	0.24"	No	Flat	3.5 oz.	0.24" × 0.24"	.53	.47	.43
821-1519	B3FS-1002*	0.24"	No	Flat	3.5 oz.	0.24" × 0.24"	.54	.48	.44

Turn To Section 1 For Allied Office Addresses and Local Phone Numbers

ALLIED ▶ 251