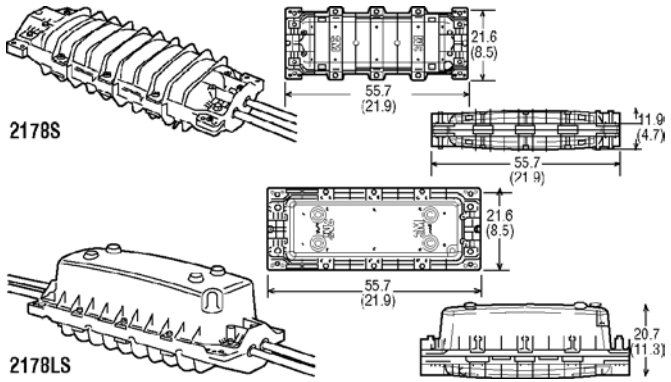


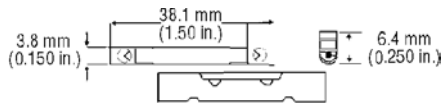
Fiber Optic Splice Cases and Trays — NEW —



Fiber Optic Splice Case gives you great protection for fiber optic connections. This series is designed with larger and smaller interchangeable closure halves so you can select the size case that meets your needs today but with the flexibility to expand for the future.

Stock No.	Mfr.'s Type	Description	EACH
617-2531	2178S	Small Splice Case, contains materials for installation of 3 cables	267.75
617-2532	2178LS	Large Splice Case, contains materials for initial installation of 4 cables	314.16
617-2533	2524	Optical Fiber Splice Organizer Tray	42.23
617-2534	2524-FT	Optical Splice Organizer Tray for Fusion Splices	46.41

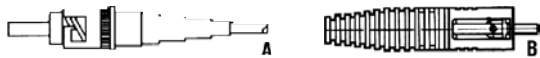
Fiblok™ II Optical Fiber Splice



Fiblok provides a precise, simple and low cost method of splicing fiber. For use with single-mode or multi-mode fiber. The inexpensive assembly tool turns any craft person into a splicing expert.

Model 2529. Universal Optical Fiber Splice. 250 to 900, any combination.		
617-2529. 2529	EACH	11.66
617-2501. 2501. Assembly Tool	EACH	80.74
Model 2529-K. Universal Optical Fiber Splice Kit (60 Splices, and one 2501 Assembly Tool).		
617-2530. 2529-K	EACH	1335.28

ST* Connectors



The 3M™ ST* Connector product line provides high repeatability and low light loss for premises, LAN and telco applications. The improved 3M connector design is compatible with the AT&T ST* connector product line as well as the Premise Distribution System (PDS) components and other ST* connector products. The 3M products are supplied with a high quality PC finish on zirconia ceramic ferrules.

Bayonet-Style Connectors — Fig. A

Stock No.	Mfr.'s Type	Description	Termination Style	Fiber Size	EACH	
					1-24	25-49
617-6901	6901	Multimode	Crimplok™	125 μm	9.17	8.51
617-8300	6100	Multimode	Hotmelt	125 μm	7.83	6.46
617-8302	6105	Multimode	Epoxy	125 μm	3.83	2.84
617-8301	8100YS	Single-mode	Hotmelt	126 μm	14.89	13.83
617-8306	8106	Single-mode	Epoxy	126 μm	8.41	7.73
617-8308	8107	Single-mode	Epoxy	127 μm	14.80	13.60
617-8303	8901	Single-mode	Crimplok™	126 μm	11.53	10.71

Push-Pull Style Connectors — Fig. B

617-8310	6102-H	Multimode	Hotmelt	125 μm	9.76	9.06
617-8312	8103	Single-mode	Epoxy	126 μm	17.42	16.18
617-8314	8104	Single-mode	Epoxy	127 μm	17.42	16.18

ST Couplings (Not Shown)

617-8317	6112	Multimode	—	—	2.42	2.14
617-8323	8119	Single-mode	—	—	8.19	7.38

Duplex Couplings (Not Shown)

617-8319	6113	Multimode	—	—	11.95	10.87
617-8321	8113	Single-mode	—	—	13.93	12.67

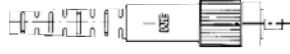
Field Termination Kits



Field termination kits provide everything needed for an organized, quick installation.

617-6951. 6955. "Crimplok™" Field Termination Kit	EACH	654.85
617-6954. 6156. "Hotmelt" ST Conversion Termination Kit	EACH	411.92
617-6953. 6355. "Hotmelt" Termination Kit	EACH	1071.00
617-8380. 8250. "Epoxy" ST Termination Kit	EACH	1626.84
617-8400. 8350. "Epoxy" SC/FC PC3 Termination Kit	EACH	1626.84

FC Connectors



The new 3M brand FC Connector has been designed to combine the best features of the 3M FC (field mountability) and the 3M FC (pull-proof design) into one versatile connector design that is fully compatible with all FC Connectors adhering to the NTT specification. The FC incorporates 3M pre-radiused PC zirconia ceramic technology to provide high optical performance and minimize reflected power to -50 dB on factory polished cable assemblies. The ferrule is independent of the backbone so that a pull on the jacketed connectorized cable will not cause the ferrule to break optical contact with a second ferrule in a connection.

FC Connector

Stock No.	Mfr.'s Type	Description	Termination Style	Fiber Size	EACH	
					1-24	25-49
617-8334	6200	Multimode	Hotmelt	125 μm	11.16	10.36
617-8336	6202	Multimode	Epoxy	125 μm	10.63	9.87
617-8338	8203	Single-mode	Epoxy	126 μm	13.33	12.38
617-8340	8204	Single-mode	Epoxy	127 μm	12.83	11.91

FC Couplings (Not Shown)

617-8342	6210	Multimode	—	—	7.95	7.21
617-8344	8210	Single-mode	—	—	11.57	10.52

SC Connectors



3M has simplified the design of the SC connector to enhance performance and cable retention, and provide a readily field mountable connector. The connector is fully compliant to the NTT, JIS, ISO/IEC, and TIA/EIA component and ISO/IEC, CENELEC, ANSI, TIA/EIA-568A and BICSI system and cabling level standards. The 3M SC Connector has a rectangular push-pull coupling mechanism for easy insertion and high repeatability.

SC Connectors — Fig. C

Stock No.	Mfr.'s Type	Description	Termination Style	Fiber Size	EACH	
					1-24	25-49
617-6900	6900	Multimode	Crimplok™	125 μm	10.82	10.06
617-8324	6300	Multimode	Hotmelt	125 μm	9.11	8.45
617-8326	6306	Multimode	Epoxy	125 μm	4.91	4.57
617-8327	8300	Single-mode	Hotmelt	126 μm	14.89	13.83
617-8328	8306	Single-mode	Epoxy	126 μm	12.49	11.60
617-8330	8307	Single-mode	Epoxy	127 μm	12.06	11.20
617-8329	8900	Single-mode	Crimplok™	126 μm	13.18	12.24

SC Coupling — Fig. D

617-8332	8310	Single-mode	—	—	8.22	7.47
617-8325	6310	Multimode	—	—	5.30	4.69

3M Fiber Optics

- ▶ Three Styles of Connectors: 3M™ Crimplok™, Hot Melt and Epoxy
- ▶ 3M™ Crimplok™ Connectors Are the Ideal Solution When Electricity Is Unavailable
- ▶ The Superior Adhesive and Ceramic Technologies Behind 3M™ Hot Melt Fiber Optic Connectors Ensure Economical Terminations That Are Dependable and Quick to Install
- ▶ Termination Kits Provide All Tools and Materials Necessary to Terminate all of 3M's Fiber Optic Connectors