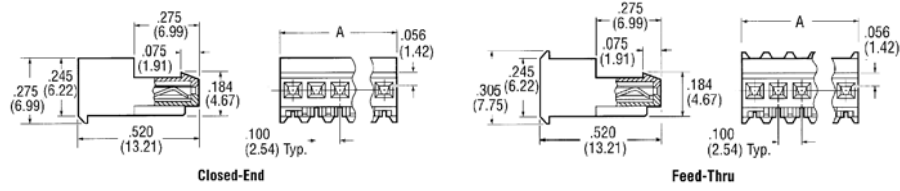


MTA-100 IDC Receptacles — .100" Centers



Housing: Color coded translucent thermoplastic. 28 AWG — green, 26 AWG — blue, 24 AWG — white, and 22 AWG — red. UL94V-2 rated. Contacts: Tin-plated phosphor bronze.

**Closed-End Without Polarizing Tab**  
28 AWG — Green

Stock No.	Mfr.'s Type	No. of Pos.	Dimension A — In.	EACH	
				1-499	500-999
512-3200	640443-2	2	0.200	.15	.10
512-3201	640443-3	3	0.300	.18	.13
512-3202	640443-4	4	0.400	.23	.16
512-3203	640443-5	5	0.500	.26	.19
512-3204	640443-6	6	0.600	.33	.24
512-3205	640443-7	7	0.700	.23	.18
512-3206	640443-8	8	0.800	.30	.25
512-3488	640443-9	9	0.900	.84	.70
512-3208	1-640443-0	10	1.000	.35	.32
512-3490	1-640443-2	12	1.200	.45	.41
512-3493	1-640443-4	14	1.400	1.46	1.31

**Feed-Thru Without Polarizing Tabs**  
28 AWG — Green

Stock No.	Mfr.'s Type	No. of Pos.	Dimension A — In.	EACH	
				1-499	500-999
512-3627	640623-2	2	0.200	.12	.11
512-3629	640623-3	3	0.300	.13	.12
512-3631	640623-4	4	0.400	.15	.14
512-3633	640623-5	5	0.500	.20	.18
512-3635	640623-6	6	0.600	.21	.19
512-3639	640623-8	8	0.800	.28	.25
512-3643	1-640623-0	10	1.000	.35	.32

**26 AWG — Blue**

Stock No.	Mfr.'s Type	No. of Pos.	Dimension A — In.	1-499	500-999
512-3210	640442-2	2	0.200	.15	.10
512-3211	640442-3	3	0.300	.10	.09
512-3212	640442-4	4	0.400	.15	.13
512-3213	640442-5	5	0.500	.18	.16
512-3214	640442-6	6	0.600	.21	.19
512-3461	640442-7	7	0.700	.25	.22
512-3216	640442-8	8	0.800	.28	.25
512-3485	640442-9	9	0.900	.84	.70
512-3218	1-640442-0	10	1.000	.35	.32
512-3219	1-640442-2	12	1.200	.45	.41
512-3487	1-640442-3	13	1.300	1.22	1.01
512-3220	1-640442-4	14	1.400	1.31	1.09

**26 AWG — Blue**

Stock No.	Mfr.'s Type	No. of Pos.	Dimension A — In.	1-499	500-999
512-3598	640622-2	2	0.200	.13	.11
512-3599	640622-3	3	0.300	.14	.13
512-3601	640622-4	4	0.400	.15	.14
512-3603	640622-5	5	0.500	.20	.18
512-3605	640622-6	6	0.600	.21	.19
512-3609	640622-8	8	0.800	.28	.25
512-3617	1-640622-0	10	1.000	.34	.31

**24 AWG — White**

Stock No.	Mfr.'s Type	No. of Pos.	Dimension A — In.	1-499	500-999
512-3221	640441-2	2	0.200	.15	.10
512-3222	640441-3	3	0.300	.17	.11
512-3223	640441-4	4	0.400	.10	.09
512-3224	640441-5	5	0.500	.27	.20
512-3225	640441-6	6	0.600	.33	.24
512-3226	640441-7	7	0.700	.24	.20
512-3227	640441-8	8	0.800	.27	.21
512-3228	640441-9	9	0.900	.67	.60
512-3229	1-640441-0	10	1.000	.76	.41
512-3448	1-640441-1	11	1.100	1.03	.86
512-3231	1-640441-2	12	1.200	.45	.41
512-3449	1-640441-3	13	1.300	1.33	1.19
512-3232	1-640441-4	14	1.400	1.46	1.31
512-3233	1-640441-5	15	1.500	.74	.67
512-3235	2-640441-0	20	2.000	1.93	1.73

**24 AWG — White**

Stock No.	Mfr.'s Type	No. of Pos.	Dimension A — In.	1-499	500-999
512-3572	640621-2	2	0.200	.13	.11
512-3578	640621-3	3	0.300	.13	.12
512-3586	640621-4	4	0.400	.15	.14
512-3588	640621-5	5	0.500	.20	.18
512-3589	640621-6	6	0.600	.21	.19
512-3590	640621-7	7	0.700	.25	.22
512-3591	640621-8	8	0.800	.28	.25
512-3592	640621-9	9	0.900	1.20	1.00
512-3593	1-640621-0	10	1.000	.32	.26
512-3597	1-640621-4	14	1.400	1.31	1.09

**22 AWG — Red**

Stock No.	Mfr.'s Type	No. of Pos.	Wire AWG	Dimension A — In.	1-499	500-999
512-3237	640440-2	2	0.200	.15	.10	
512-3238	640440-3	3	0.300	.17	.11	
512-3239	640440-4	4	0.400	.26	.19	
512-3240	640440-5	5	0.500	.33	.24	
512-3241	640440-6	6	0.600	.35	.25	
512-3242	640440-7	7	0.700	.23	.20	
512-3243	640440-8	8	0.800	.27	.22	
512-3244	640440-9	9	0.900	.35	.32	
512-3245	1-640440-0	10	1.000	.34	.26	
512-3246	1-640440-1	11	1.100	1.14	1.03	
512-3247	1-640440-2	12	1.200	.43	.34	
512-3443	1-640440-3	13	1.300	1.35	1.22	
512-3248	1-640440-4	14	1.400	.58	.49	
512-3249	1-640440-5	15	1.500	.74	.67	
512-3250	1-640440-6	16	1.600	.83	.71	
512-3251	1-640440-8	18	1.800	1.86	1.02	
512-3253	2-640440-0	20	2.000	2.06	1.14	

**22 AWG — Red**

Stock No.	Mfr.'s Type	No. of Pos.	Wire AWG	Dimension A — In.	1-499	500-999
512-3499	640620-2	2	0.200	.13	.11	
512-3541	640620-3	3	0.300	.13	.12	
512-3543	640620-4	4	0.400	.15	.14	
512-3553	640620-5	5	0.500	.20	.18	
512-3554	640620-6	6	0.600	.21	.19	
512-3555	640620-7	7	0.700	.25	.22	
512-3556	640620-8	8	0.800	.28	.25	
512-3558	1-640620-0	10	1.000	.35	.32	
512-3564	1-640620-2	12	1.200	.45	.41	
512-3566	1-640620-3	13	1.300	1.22	1.01	
512-3571	1-640620-4	14	1.400	1.31	1.09	

**LED\* Closed-End Without Tabs**

Stock No.	Mfr.'s Type	No. of Pos.	Wire AWG	Dimension A — In.	EACH	
					1-499	500-999
512-3657	641535-2	2	24	0.200	.08	.07
512-3658	641534-2	2	22	0.200	.08	.07
512-3655	641534-3	3	22	0.300	.09	.08

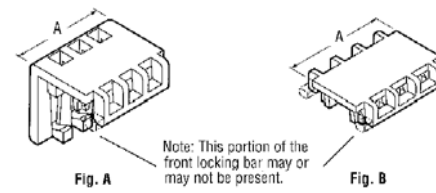
**LED\* Feed-Thru Without Tab**

Stock No.	Mfr.'s Type	No. of Pos.	Wire AWG	Dimension A — In.	EACH	
					1-499	500-999
512-3671	641655-2	2	26	0.200	.13	.11

\*LED connectors are designed to mate with .014-.020 (0.36-0.51) diameter posts or square leads.

MTA-100 Accessories

Strain Reliefs



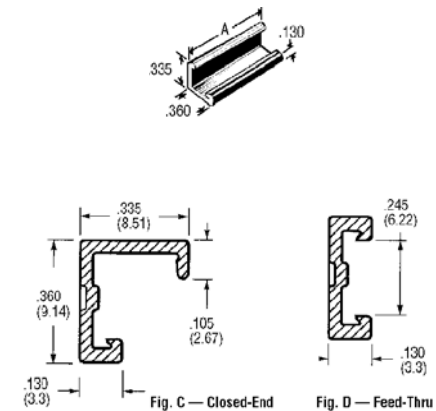
**Closed End Strain Relief — Fig. A**

Stock No.	Mfr.'s Type	No. of Pos.	Dimension A — In.	EACH	
				1-499	500-999
512-3273	643075-2	2	0.200	.23	.20
512-3274	643075-3	3	0.300	.75	.68
512-3275	643075-4	4	0.400	.25	.22
512-3276	643075-5	5	0.500	.27	.24
512-3277	643075-6	6	0.600	.24	.21
512-3278	643075-7	7	0.700	.74	.62
512-3279	643075-8	8	0.800	.28	.25
512-8863	643075-9	9	0.900	.75	.62
512-3280	1-643075-0	10	1.000	.83	.75
512-3675	1-643075-1	11	1.100	.75	.63
512-3281	1-643075-2	12	1.200	.75	.63
512-3676	1-643075-3	13	1.300	.75	.68
512-3677	1-643075-4	14	1.400	.76	.63

**Feed-Thru Strain Relief — Fig. B**

Stock No.	Mfr.'s Type	No. of Pos.	Dimension A — In.	EACH	
				1-499	500-999
512-3681	643077-2	2	0.200	.34	.31
512-3683	643077-3	3	0.300	.31	.28
512-3682	643077-4	4	0.400	.41	.37
512-3694	643077-5	5	0.500	.51	.46
512-3702	643077-6	6	0.600	.56	.51
512-8884	643077-8	8	0.800	.60	.54
512-3711	643077-9	9	0.900	.74	.67
512-3717	1-643077-0	10	1.000	.75	.62
512-3719	1-643077-2	12	1.200	.75	.63

Dust Covers



**Closed End Dust Covers — Fig. C**

Stock No.	Mfr.'s Type	No. of Pos.	Wire AWG	Dimension A — In.	EACH	
					1-499	500-999
512-3295	640550-2	2	0.200	.08	.08	
512-3283	640550-3	3	0.300	.08	.07	
512-3284	640550-4	4	0.400	.08	.07	
512-3285	640550-5	5	0.500	.09	.08	
512-3286	640550-6	6	0.600	.15	.13	
512-3287	640550-7	7	0.700	.21	.19	
512-3288	640550-8	8	0.800	.12	.11	
512-3289	640550-9	9	0.900	.24	.20	
512-3290	1-640550-0	10	1.000	.14	.12	
512-3678	1-640550-1	11	1.100	.26	.22	
512-3291	1-640550-2	12	1.200	.29	.24	
512-3292	1-640550-4	14	1.400	.35	.30	

**Feed-Thru Dust Covers — Fig. D**

Stock No.	Mfr.'s Type	Wire AWG	1-499	500-999	
512-3733	640642-5	5	0.500	.17	.12
512-3734	640642-6	6	0.600	.18	.14
512-3741	640642-8	8	0.800	.21	.17

Keying Plug on Carrier Strip — 10 pc. Strip  
512-3294, 641994-1..... PER STRIP .05

**Replacement IDC Contacts — Tin Plated**

Stock No.	Mfr.'s Type	Wire AWG	EACH	
			1-499	500-999
512-4911	640638-2	26	.06	.05
512-4903	640637-1	24	.06	.05
512-4905	640636-1	22	.06	.05