

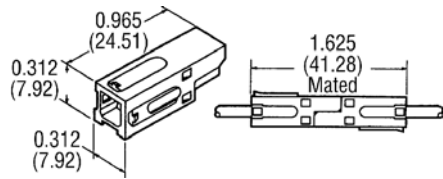
AMP® Power Lock Connectors have hermaphroditic housing and contact designs. The hermaphroditic housings are also modular in design and permit the clustering of connectors of the same series. Housings are made of impact resistant thermoplastic with stainless steel locking springs for contact stability. Terminals are available in strip and loose piece form with a material choice of silver, or gold plated copper. Contacts for Series I Connectors accept a wire size range of 18-12 AWG and contacts for Series II Connectors

accept a wire size range of 10-6 AWG. Both insert easily into housings where integral locking springs provide positive retention.

AMP Power Lock Connectors can be adapted to most high current applications and may be used as free-hanging, surface mounted and thru-panel mounted connectors, or when posted contacts are used, they can be used on printed circuits.

Series I Connectors (18-12 AWG)

Connector Housing Assembly

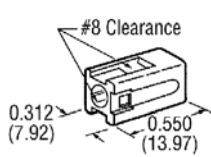


Housing: Polycarbonate

Stock No.	Mfr.'s Type	Color	EACH		
			1-99	100-499	500-999
512-8222	53894-1	White	.42	.38	.31
512-8224	53894-2	Black	.44	.39	.33
512-8226	53894-3	Green	.42	.38	.31
512-8992	53894-4	Red	.44	.39	.33
512-8230	53894-5	Yellow	.42	.38	.31
512-8232	53894-6	Blue	.65	.58	.45

Adapter

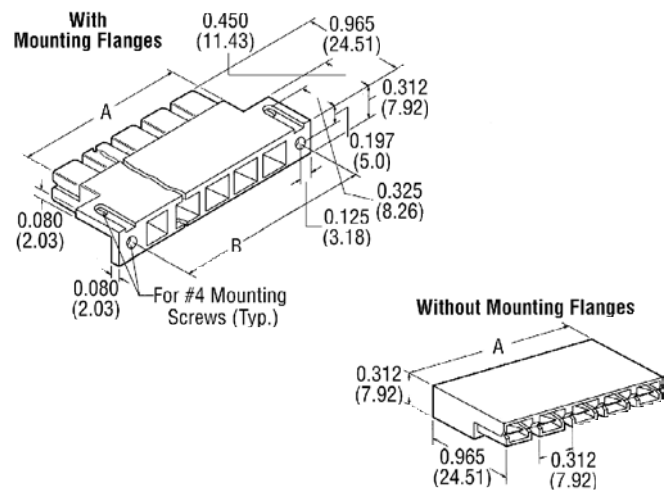
Mounting Adapter



Housing: Polycarbonate (Red)

Stock No.	Mfr.'s Type	Type	EACH		
			1-99	100-499	500-999
512-8240	54315-1	Mounting	.39	.35	.29

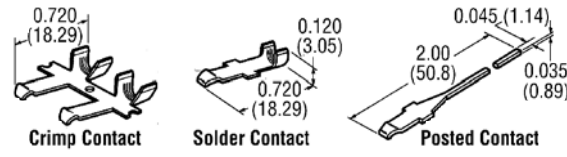
In-Line Housings



Housing: Nylon, Natural Color

Stock No.	Mfr.'s Type	No. of Pos.	With Flanges	Dimensions (In.)		EACH	
				A	B	1-49	50-99
512-8242	54489-2	2	Yes	0.624	0.874	1.78	1.62
512-8244	54483-2	2	No	0.624	—	1.76	1.60
512-8246	54489-3	3	Yes	0.936	1.186	2.50	2.27
512-8250	54489-4	4	Yes	1.248	1.498	3.15	2.86
512-8252	54483-4	4	No	1.248	—	3.01	2.74
512-8254	54489-5	5	Yes	1.560	1.810	3.81	3.46
512-8256	54483-5	5	No	1.560	—	5.83	5.30
512-8258	54489-6	6	Yes	1.872	2.122	4.47	4.06
512-8260	54483-6	6	No	1.872	—	4.28	3.89

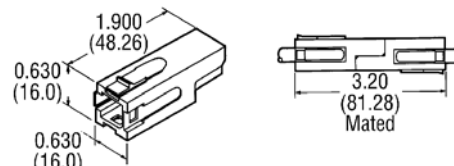
Series I Contacts



Stock No.	Mfr.'s Type	Type	Wire AWG	Plating	EACH	
					1-999	1000-4999
512-8991	53892-4	Crimp	18-12	Silver	.16	.15
512-8264	53892-7	Crimp	18-12	Gold	1.47	1.32
512-8266	54329-1	Solder	12 Max.	Silver	.17	.15
512-8268	54326-2	Posted	—	Silver	.51	.46
512-8270	54326-1	Posted	—	Gold	1.50	1.35

Series II Connectors (10-6 AWG)

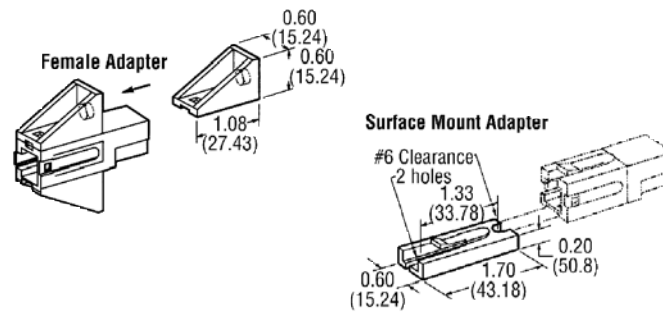
Connector Housing Assembly



Housing: Polycarbonate

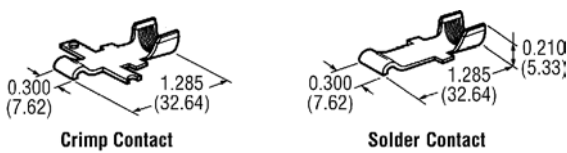
Stock No.	Mfr.'s Type	Color	EACH		
			1-99	100-499	500-999
512-8272	53884-1	Blue	2.38	2.10	1.75
512-8274	53884-3	Black	1.63	1.47	1.22
512-8276	53884-4	Red	1.71	1.54	1.28

Adapters



Stock No.	Mfr.'s Type	Type	Color	EACH		
				1-99	100-499	500-999
512-8278	53886-1	Female	Blue	1.40	1.26	1.05
512-8280	53885-1	Surface-Mount	Blue	4.10	3.42	2.93

Series II Contacts



Stock No.	Mfr.'s Type	Type	Wire AWG	Plating	EACH	
					1-999	1000-4999
512-8282	53880-4	Crimp	10-6	Silver	.82	.73
512-8284	54330-1	Solder	6 Max.	Silver	.67	.56