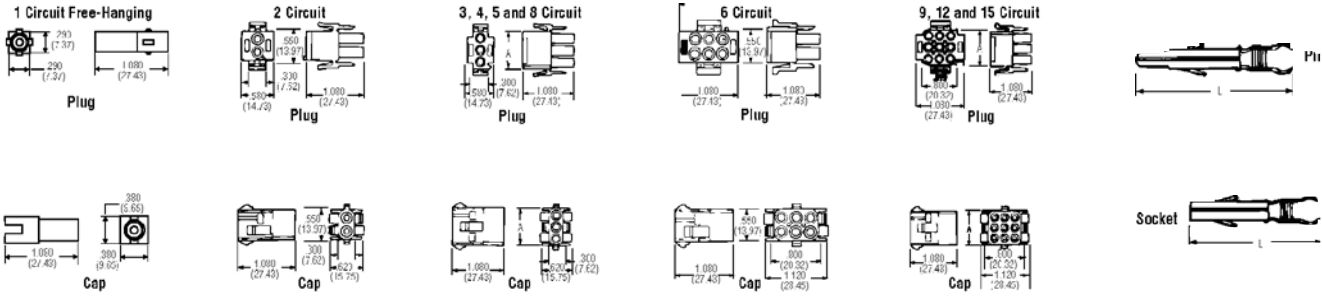


Panel Mount



- ▶ Innumerable Keying Combinations
- ▶ Pins and Sockets Can Be Intermixed In The Same Housing
- ▶ Positive Polarization
- ▶ Rear Cavity Identification
- ▶ Pin or Socket Contact Can Be Hot
- ▶ Positive Locking Housings
- ▶ Insulation Capability To .200 (5.08) Diameter
- ▶ Removable, Crimp Snap-In Contacts
- ▶ Low Contact Mating Force

- ▶ Harness to PC Board Capability Using Pin or Socket Header Assemblies
- ▶ Contacts are on .250 (6.35) Centerline Spacing
- ▶ Recognized Under Component Program of Underwriters Laboratories Inc. File No. E28476
- ▶ CSA Certified File No. LR 7189
- ▶ Tested By VDE Under Their Test Report #14397-1431-1003
- ▶ Rated for 600 VAC or DC
- ▶ Not Recommended For Interrupting Current
- ▶ Dual Locking Lances Provide Optimum Contact Stability

Universal Pins and Sockets
Can be used in either plug or cap housings. Pin Dia.: .084" (2.13 mm).

Pre-Tinned Brass

Stock No.	Mfr.'s Type	Style	Ins. Dia. Range (In.)	Dimension L Inches (mm)	PK./100	
					1-4	5-9
512-1303†	350690-1	Pin	.040-.100	0.790	7.37	6.63
512-1304†	350689-1	Socket	.040-.100	0.760	7.30	6.57
512-3028†	350706-1	Split Pin	.040-.100	0.790	8.18	7.29
512-3030*	350547-1	Pin	.060-.130	0.790	7.21	6.49
512-3035*	350550-1	Socket	.060-.130	0.760	6.91	6.22
512-3045*	350552-1	Pin	.130-.200	0.810	9.07	8.16
512-3040*	350551-1	Socket	.130-.200	0.780	9.57	8.61
512-1307*	350705-1	Split Pin	.060-.130	0.790	7.82	7.04
512-1308*	350669-1	Grounding Pin	.060-.130	0.890	9.22	8.38

†24-18 AWG. *20-14 AWG.

Brass with Gold Finish

Stock No.	Mfr.'s Type	Style	Ins. Dia. Range (In.)	Dimension L Inches (mm)	PK./100	
					1-4	5-9
512-3170†	350690-2	Pin	.040-.100	0.790	61.54	54.30
512-3175†	350689-2	Socket	.040-.100	0.760	63.06	56.75
512-3180*	350547-2	Pin	.060-.130	0.790	65.48	58.94
512-3185*	350550-2	Socket	.060-.130	0.760	63.74	57.36

†24-18 AWG. *20-14 AWG.

Keying Plug

Snaps into plug or cap housing.

Stock No.	Mfr.'s Type	Description	EACH		
			1-499	500-999	1000-2499
512-3043	1-640415-1	Natural color, UL 94V-2 rated, Nylon	.26	.24	.20
512-3044	1-640415-0	White color, UL 94V-0 rated, Nylon	.27	.25	.20

Plugs — Natural Color UL 94V-2 Rated Nylon

Stock No.	Mfr.'s Type	No. of Circuits	Dimension A Inches (mm)	EACH		
				1-499	500-999	1000-2499
512-2995	1-350867-0	1	—	.11	.10	.09
512-3000	1-480698-0	2	—	.18	.16	.14
512-3002	1-480700-0	3	0.80 (20.32)	.18	.16	.14
512-3005	1-480702-0	4	1.05 (26.67)	.19	.17	.15
512-1417	1-480763-0	5	1.30 (33.02)	.23	.21	.17
512-3010	1-480704-0	6	—	.23	.21	.20
512-8632	640596-1	8†	2.05 (52.07)	.51	.46	.38
512-3012	1-480706-0	9	0.80 (20.32)	.25	.23	.19
512-3021	1-480708-0	12	1.05 (26.67)	.29	.27	.22
512-3023	1-480710-0	15	1.30 (33.02)	.43	.39	.32

Plugs — White Color UL 94V-0 Rated

Stock No.	Mfr.'s Type	No. of Circuits	Dimension A Inches (mm)	EACH		
				1-499	500-999	1000-2499
512-3051	350865-1	1	—	.31	.28	.23
512-3053	350777-1	2	—	.31	.28	.23
512-3056	350766-1	3	0.80 (20.32)	.30	.27	.22
512-3058	350779-1	4	1.05 (26.67)	.31	.28	.23
512-3061	350809-1	5	1.30 (33.02)	.33	.30	.25
512-3063	350715-1	6	—	.45	.40	.34
512-3066	350720-1	9	0.80 (20.32)	.39	.35	.29
512-3068	350735-1	12	1.05 (26.67)	.50	.45	.37
512-3071	350736-1	15	1.30 (33.02)	.64	.57	.48

†8 pos. in-line.

Caps — Natural Color UL 94V-2 Rated Nylon

Stock No.	Mfr.'s Type	No. of Circuits	Dimension A Inches (mm)	EACH		
				1-499	500-999	1000-2499
512-2996	770421-1	1	—	.11	.10	.09
512-3015	1-480699-0	2	—	.18	.16	.14
512-3004	1-480701-0	3	0.80 (20.32)	.18	.16	.14
512-3020	1-480703-0	4	1.05 (26.67)	.18	.16	.14
512-1467	1-480764-0	5	1.30 (33.02)	.26	.23	.20
512-3025	1-480705-0	6	—	.21	.19	.16
512-1456	926308-1	8†	2.05 (52.07)	1.56	1.40	1.17
512-3022	1-480707-0	9	0.80 (20.32)	.23	.21	.17
512-3024	1-480709-0	12	1.05 (26.67)	.26	.23	.19
512-3026	1-480711-0	15	1.30 (33.02)	.38	.34	.29

Caps — White Color UL 94V-0 Rated

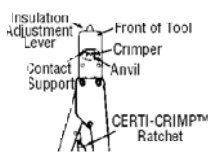
Stock No.	Mfr.'s Type	No. of Circuits	Dimension A Inches (mm)	EACH		
				1-499	500-999	1000-2499
512-3052	350866-1	1	—	.36	.32	.27
512-3054	350778-1	2	—	.35	.32	.27
512-3057	350767-1	3	0.80 (20.32)	.36	.32	.27
512-3059	350780-1	4	1.05 (26.67)	.40	.36	.30
512-3062	350810-1	5	1.30 (33.02)	.40	.36	.30
512-3064	350781-1	6	—	.39	.35	.30
512-3067	350782-1	9	0.80 (20.32)	.48	.43	.36
512-3069	350783-1	12	1.05 (26.67)	.59	.53	.44
512-3072	350784-1	15	1.30 (33.02)	.98	.88	.73

†8 pos. in-line.

Crimp Tools, Insertion/Extraction, and Service Tool

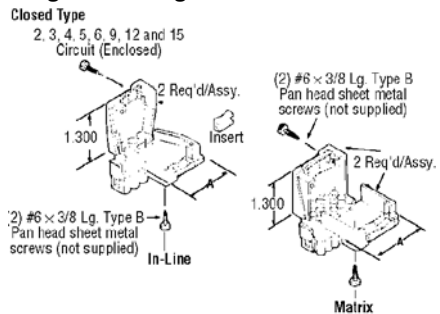
Stock No.	Mfr.'s Type	Description	EACH
512-9160	455830-1	Contact insertion tool	23.46
512-9196	318851-1	Contact extraction tool	49.98

CERTI-CRIMP™ and PRO-CRIMPER™ II Tools



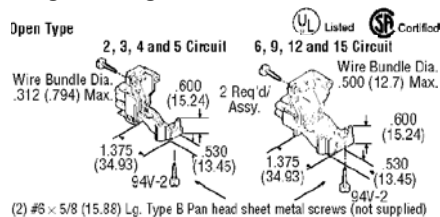
Stock No.	Mfr.'s Type	Description	Tool Type	EACH
512-9006	90300-2	For contacts on 24-18 AWG wire .040"-.100" ins. dia.	CERTI-CRIMP™	412.76
512-9007	90548-1	For contacts on 24-18 AWG wire .040"-.100" ins. dia.	PRO-CRIMPER™ II	182.14
512-9008	90296-2	For contacts on 20-14 AWG wire .060"-.130" ins. dia.	CERTI-CRIMP™	412.76
512-9009	90546-1	For contacts on 20-14 AWG wire .060"-.130" ins. dia.	PRO-CRIMPER™ II	182.14
512-9012	90298-2	For contacts on 20-18 AWG wire .130"-.200" ins. dia.	CERTI-CRIMP™	412.76
512-9013	90547-1	For contacts on 20-18 AWG wire .130"-.200" ins. dia.	PRO-CRIMPER™ II	212.50
512-9014	90299-2	For contacts on 16-14 AWG wire .130"-.200" ins. dia.	CERTI-CRIMP™	455.52

Plug or Housing Strain Reliefs



Strains Reliefs
Note: Two pieces are required for each strain relief assembly. If you order just 1 you will get 1/2 of a strain relief.

Plug Housing Strain Reliefs



Natural Nylon, UL 94V-2 Rated

Stock No.	Mfr.'s Type	No. of Circuits	Dia. Range (In.)	EACH		
				1-499	500-999	1000-2499
512-3078	1-640719-1	2	.200-.350	1.11	1.00	.84
512-3081	1-640720-0	3	.040-.190	1.14	1.02	.85
512-3083	641763-1	3	.200-.350	.88	.79	.66
512-3088	641775-2	4	.200-.350	.94	.85	.71
512-3104	643030-3	5	.040-.190	1.16	1.05	.87
512-3093	1-640721-0	6	.120-.650	.92	.83	.69
512-3098	1-640723-0	12	.150-.750	1.13	1.03	.94
512-3101	1-640724-0	15	.200-.850	1.30	1.17	.97

White Nylon, UL 94V-0 Rated

Stock No.	Mfr.'s Type	No. of Circuits	Dia. Range (In.)	EACH		
				1-499	500-999	1000-2499
512-3077	640713-1	2	.040-.190	1.12	1.02	.94
512-3082	640714-1	3	.040-.190	.91	.82	.68
512-3084	641945-1	3	.200-.350	.79	.71	.59
512-3087	641776-1	4	.040-.190	1.28	1.15	.96
512-3089	641776-2	4	.200-.350	.86	.77	.64
512-3092	640715-1	6	.120-.650	.94	.84	.70
512-3094	640716-1	9	.120-.650	.97	.88	.73
512-3097	640717-1	12	.150-.750	1.40	1.26	1.05
512-3099	640718-1	15	.200-.850	1.08	.97	.81

Open type strain relief part numbers are for 1/2 of a strain relief. Two pieces are required for a strain relief assembly.

Natural Color, UL 94V-2 Rated, Nylon

Stock No.	Mfr.'s Type	Description (Circuits)	EACH		
			1-499	500-999	1000-2499
512-3050	1-350589-0	For 2, 3, 4 and 5	.62	.56	.47
512-3055	1-350590-0	For 6, 9, 12 and 15	.56	.50	.42

White Color, UL 94V-0 Rated, Nylon

Stock No.	Mfr.'s Type	Description (Circuits)	EACH		
			1-499	500-999	1000-2499
512-3047	350811-1	For 2, 3, 4 and 5	.54	.49	.40
512-3048	350812-1	For 6, 9, 12 and 15	.79	.71	.60