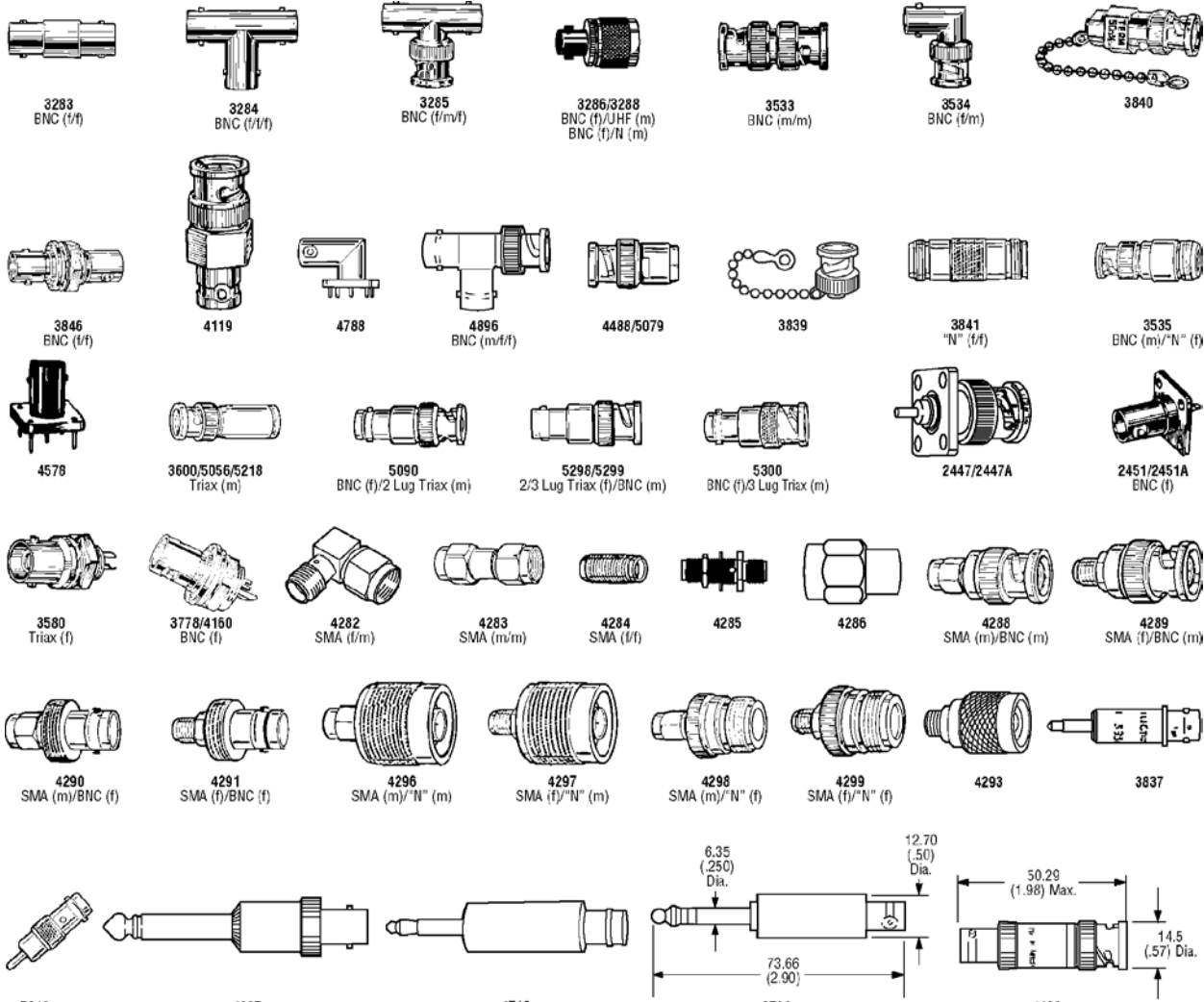


Coaxial/Triaial Connectors and Adapters



8

Coaxial Adapters, Accessories, Terminations

885-0750. 3283. BNC Female to Female	EACH	4.65
885-0751. 3284. BNC "T", 3 Females	EACH	13.55
885-0752. 3285. BNC "T", Female/Male/Female	EACH	12.25
885-3286. 3286. BNC Female to UHF Male	EACH	8.05
885-3533. 3533. BNC Male to Male	EACH	8.70
885-0800. 3534. Right Angle BNC Female/BNC Male	EACH	10.60
885-0940. 3840-50. BNC Resistor Termination, 50 Ohm	EACH	10.05
885-0941. 3840-75. BNC Resistor Termination, 75 Ohm	EACH	10.05
885-0943. 3840-600. BNC Resistor Termination, 600 Ohm	EACH	10.05
885-0945. 3846. Isolated Ground BNC Female/Female	EACH	15.00
885-4119. 4119-50. BNC Feed-Thru Termination, 50 Ohm	EACH	45.00
885-4118. 4119-75. BNC Feed-Thru Termination, 75 Ohm	EACH	45.00
885-4788. 4788. BNC Right Angle Female PC Mount	EACH	15.50
885-4896. 4896. BNC "T", Male/Female/Female	EACH	18.90
885-4488. 4488. BNC Male Cable Plug (2)	EACH	4.05
885-5079. 5079. BNC Male Cable Plug, 75 Ohm (1)	EACH	9.25
885-3839. 3839. Dust Cap for BNC Female Connector	EACH	2.80

Type N Adapters

885-3288. 3288. BNC Female/Type N Male	EACH	8.40
885-3841. 3841. Type N Female/Female	EACH	10.30
885-3535. 3535. BNC Male/Type N Female	EACH	12.00

BNC, PC Mount

885-4578. 4578. BNC Female PC Mount	EACH	11.00
-------------------------------------	------	-------

Triaxial Connectors

885-3600. 3600. 2 Lug Male Cable Plug Belden 9272	EACH	21.00
885-5056. 5056. 2 Lug Male Cable Plug Belden 9222	EACH	19.65
885-5218. 5218. 3 Lug Male Cable Plug Belden 9222	EACH	28.00
885-5090. 5090. 2 Lug BNC Female/Triaial Male	EACH	21.35
885-5298. 5298. 2 Lug Triaial Female/BNC Male	EACH	20.05
885-5299. 5299. 3 Lug Triaial Female/BNC Male	EACH	19.05
885-5306. 5300. 3 Lug BNC Female/Triaial Male	EACH	19.60

Panel and Bulkhead Receptacles

885-2477. 2447. BNC Male Panel, 50 Ohm, 0.531 Hole Spacing	EACH	8.90
885-2478. 2447A. BNC Male Panel, 50 Ohm, 0.500 Hole Spacing	EACH	7.75
885-2450. 2451. BNC Female Panel 0.531 Hole Spacing	EACH	4.75
885-2451. 2451A. BNC Female Panel 0.500 Hole Spacing	EACH	4.25
885-0850. 3580. 2 Lug Bulkhead Female	EACH	14.40
885-0899. 3778. BNC Isolated Ground Female Bulkhead	EACH	9.95
885-4160. 4160. BNC Female Bulkhead	EACH	3.40
885-6069. 5219. 3 Lug Triaial Bulkhead Female	EACH	14.80

SMA Adapters

885-4262. 4262. SMA Female/Male, Right Angle	EACH	22.00
885-4283. 4283. SMA Male/Male	EACH	16.10
885-4284. 4284. SMA Female/Female	EACH	16.00
885-4285. 4285. SMA Within Series Adapter	EACH	16.00
885-4301. 4286. SMA Terminator Plug	EACH	16.00
885-4288. 4288. SMA Male to BNC Male	EACH	28.00
885-4289. 4289. SMA Female to BNC Male	EACH	24.00
885-4290. 4290. SMA Male to BNC Female	EACH	20.00
885-4292. 4291. SMA Female to BNC Female	EACH	22.00
885-4296. 4296. SMA Male to "N" Male	EACH	30.00
885-4297. 4297. SMA Female to "N" Male	EACH	28.00
885-4298. 4298. SMA Male to "N" Female	EACH	28.00
885-4299. 4299. SMA Female to "N" Female	EACH	26.40
885-4293. 4293. SMA Female to TNC Male Adapter	EACH	30.00

Phono and Phone Adapters/Plugs/Jacks

885-3837. 3837. BNC Female to Two Conductor Tini Plug	EACH	11.05
Type 5319. Nickel plated contact		
885-5319. 5319. BNC Female to Phono Plug, 1.53" L	EACH	5.35
885-1297. 1297. BNC Female to Phone Plug	EACH	9.80
885-4023. 4719. BNC Female to Bantam Phone Plug	EACH	17.80
885-9976. 2798. BNC Female to PJ-051/WE-310 Phone Plug	EACH	18.75
885-4054. 4054. Phono Jack to BNC Male	EACH	14.60

BNC 50 Ohm Attenuators

Type 4108-3dB. Attenuation: 3 dB. VSWR: 1.1 to 1 GHz. Attenuation Tolerance: +0.4 dB to 1 GHz.	EACH	56.00
885-4108. 4108-3dB	EACH	56.00

BNC 50 Ohm Attenuators (continued)

Type 4108-6dB. Attenuation: 6 dB. VSWR: 1.2 to 2 GHz. Attenuation Tolerance: +0.45 dB to 2 GHz.	EACH	56.00
885-4109. 4108-6dB	EACH	56.00
Type 4108-10dB. Attenuation: 10 dB. VSWR: 1.35 to 4 GHz. Attenuation Tolerance: +0.65 dB to 4 GHz.	EACH	56.00
885-4110. 4108-10dB	EACH	56.00
Type 4108-14dB. Attenuation: 14 dB. VSWR: 1.45 to 6 GHz. Attenuation Tolerance: +0.75 dB to 6 GHz.	EACH	56.00
885-4111. 4108-14dB	EACH	56.00
Type 4108-20dB. Attenuation: 20 dB. VSWR: 1.65 to 8 GHz. Attenuation Tolerance: +1.0 dB to 8 GHz.	EACH	56.00
885-4112. 4108-20dB	EACH	56.00

Universal Adapter Kits

Models 5698 and 5748 Adapter Kits allow users to make their own adapter combinations, such as SMA to BNC or BNC to double banana plug. Adapter ends are joined with coupling nuts.

Universal Adapter Kit. Kit contains 2 pcs. each: BNC male, BNC female, TNC male, TNC female, SMA male, SMA female, "N" male, "N" female, four intermediate couplers, one double banana plug and one double banana jack. **EACH 114.00**

885-5698. 5698. Black **EACH 114.00**

Maxi Universal Adapter Kit. Kit contains 2 pcs. each: BNC male, BNC female, TNC male, TNC female, SMA male, SMA female, "N" male, "N" female, UHF male, UHF female, Mini UHF male, Mini UHF female, "F" male, "F" female, RCA male, RCA female, six intermediate couplers, one double banana plug, one double banana jack and one sampler. **EACH 230.00**

885-5748. 5748 **EACH 230.00**

Same Day Shipments For Product In Stock

ALLIED ► 503