



PCB Terminal Blocks

Screw Connectors For Printed Circuit Boards With Elevator Style Clamping Mechanism — Series 150



Series 150 Multilift connectors feature elevator style clamping, captive screws, test holes and dovetail interlocking which allows for assembly to the required number of poles while maintaining center to center spacing.

Table with columns: Stock No., Mfr.'s Type, Fig., Poles, EACH 1-99. Lists models 924-2561 through 924-2566.

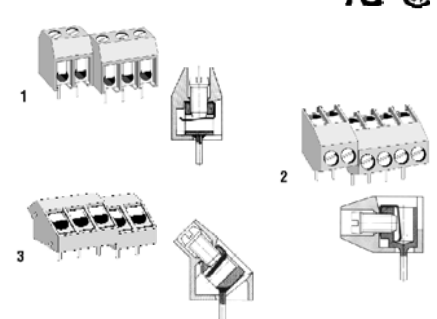
Screw Connectors for Printed Circuit Boards with Elevator Style Clamping Mechanism 1/4" and 3/8" Spacing — Series 66

Series 66 connectors feature elevator style clamping, captive screws, and dovetail interlocking. This series is offered as direct replacements for traditional barrier style PCB terminal blocks with 1/4" or 3/8" spacing.

Table with columns: Stock No., Mfr.'s Type, Fig., Poles, EACH 1-99. Lists models 924-2005 and 924-2006.

Table with columns: Stock No., Mfr.'s Type, Fig., Poles, EACH 1-99. Lists models 924-2007 and 924-2008.

Screw Connectors For Printed Circuit Boards — Series 93 To 97



All products feature dovetail interlocking which allows for assembly to the required number of poles while maintaining center to center spacing.

Low Profile Screw Connectors For Printed Circuit Boards with Elevator Style Clamping Mechanism — Series 140

Series 140 low profile connectors feature elevator style clamping and captive screws. Versions are available from 2 to 24 poles.

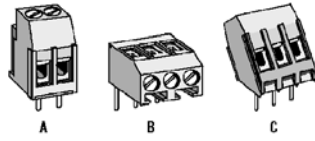
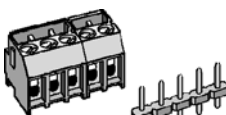


Table with columns: Stock No., Mfr.'s Type, Fig., Poles, EACH 1-99. Lists models 924-8666 through 924-8654.

Table with columns: Stock No., Mfr.'s Type, Fig., Poles, EACH 1-99. Lists models 924-8656 through 924-8728.

Plug-In Screw Connector and Pinstrip System for Printed Circuit Boards — Series 95-FL

These two-part plug and pinstrip combinations provide a small footprint and low profile design.



Plug Specifications. Center To Center Spacing: 5 mm/0.197". Insulating Material: Polyamide, self extinguishing to UL 94, V-0, color grey.

Table with columns: Stock No., Mfr.'s Type, Poles, EACH 1-99. Lists models 924-2462 through 924-2467.

Table with columns: Stock No., Mfr.'s Type, Poles, EACH 1-99. Lists models 924-2468 through 924-2472.

Table with columns: Stock No., Mfr.'s Type, Poles, EACH 1-99. Lists models 924-2473 through 924-2475.

Table with columns: Stock No., Mfr.'s Type, Poles, EACH 1-99. Lists models 924-2732 through 924-0549.

Large table with columns: Stock No., Mfr.'s Type, Fig., Poles, Center-Center Spacing (mm, in.), Height (mm, in.), Width (mm, in.), UL Rating (Volts, Amps, AWG), CSA Rating (Volts, Amps, AWG), EACH 1-99. Lists models 924-0201 through 924-0327.



Same Day Shipments For Product In Stock

ALLIED ▶ 523