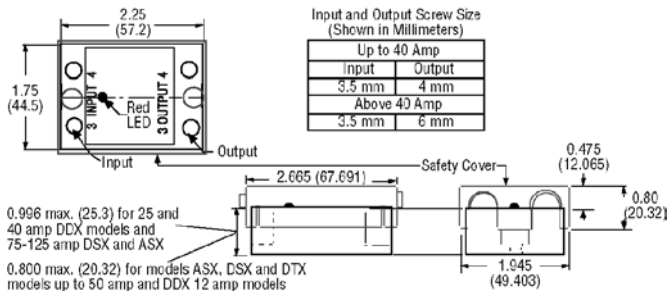


Class 6 — Solid State Relays with New LED Lamp Indicator

CE cRU US
*On Selected Models UL Recognized File No. E52197



Finger Safe Covers Included

High reliability, opto-isolated solid state AC output relays enable switching of AC loads up to 125 amps and DC output models to switch loads up to 40 amps DC. AC output has back to back SCRs. Isolation Voltage: 4000 VAC standard (input to output). Temperature Range: -30°C to +80°C typical. Input Control Voltage Range: DC input with AC output — 3 to 32 VDC; AC input with AC output — 90 to 280 VAC; DC input with DC output — 3.5 to 32 VDC. Input Current DC: 14 mA @ 5 VDC. Input Current AC: 8.5 mA @ 120 VAC, 22 nA @ 240 VAC. Must Operate Voltage: 3 VDC max. AC Output: Zero voltage switching. Leakage Current: 8 mA @ 120 VAC, 10 mA max. @ 240 VAC.

AC Controlled Input, 90 to 280 VAC with LED Lamp Indicator and Safety Cover

Stock No.	Mfr.'s Type	Output Voltage Range	EACH			
			1-9	10-24	25-49	50-99
850-7321	W6225ASX-1*	24-240 VAC	27.56	25.26	23.32	21.66
850-7322	W6240ASX-1	24-240 VAC	29.60	27.13	25.04	23.25
850-7326	W6250ASX-1	24-240 VAC	37.35	34.23	31.60	29.35
850-7327	W6275ASX-1	24-240 VAC	51.22	46.95	43.34	40.25
850-7614	W6410ASX-1	48-480 VAC	24.45	22.59	20.97	19.57
850-7616	W6425ASX-1	48-480 VAC	29.52	27.25	25.30	23.61
850-7618	W6440ASX-1	48-480 VAC	41.00	37.85	35.15	32.79
850-7620	W6450ASX-1	48-480 VAC	57.92	53.47	49.66	46.33
850-7622	W6475ASX-1	48-480 VAC	68.05	62.83	58.34	54.43
850-0320	W6690ASX-1	48-600 VAC	97.01	88.93	82.09	76.22
850-0330	W66125ASX-1	48-600 VAC	115.37	105.76	97.62	90.65

DC Controlled Input, 3-32 VDC with LED Lamp Indicator and Safety Cover

Stock No.	Mfr.'s Type	Output Voltage Range	EACH			
			1-9	10-24	25-49	50-99
850-7313	W6210DSX-1	24-240 VAC	19.72	18.39	16.98	15.77
850-7314	W6225DSX-1*	24-240 VAC	24.22	22.20	20.49	19.03
850-7315	W6240DSX-1	24-240 VAC	29.60	27.14	25.04	23.25
850-7328	W6250DSX-1	24-240 VAC	37.35	34.24	31.60	29.35
850-7329	W6275DSX-1	24-240 VAC	51.22	46.95	43.34	40.25
850-7364	W6410DSX-1	48-480 VAC	25.90	23.81	21.99	20.41
850-7366	W6425DSX-1	48-480 VAC	30.82	28.25	26.08	24.21
850-7368	W6440DSX-1	48-480 VAC	40.49	37.11	34.25	31.80
850-7370	W6450DSX-1	48-480 VAC	63.17	57.92	53.46	49.64
850-7372	W6475DSX-1	48-480 VAC	71.25	65.32	60.28	55.99
850-0340	W6690DSX-1	48-600 VAC	94.40	86.53	79.87	74.17
850-0350	W66125DSX-1	48-600 VAC	112.76	103.36	95.41	88.59

DC Controlled Input, 3-32 VDC with LED Lamp Indicator and Safety Cover

Stock No.	Mfr.'s Type	Output Voltage Range	1-9	10-24	17.51	16.26
850-7358	W6210DTX-3	48-240 VAC	20.70	18.97	17.51	16.26

DC Controlled Input, 3.5-32 VDC with LED Lamp Indicator and Safety Cover

Stock No.	Mfr.'s Type	Input Voltage	EACH			
			1-9	10-24	25-49	50-99
850-7323	W6212DDX-1	0-200 VDC	20.28	18.58	16.98	15.76
850-7330	W6225DDX-1	0-200 VDC	51.22	46.95	43.34	40.25
850-7331	W6240DDX-1	0-200 VDC	49.75	45.92	42.63	39.79

*CE Marked.

A101X — 100 Amp Contactor

— NEW —



Pending

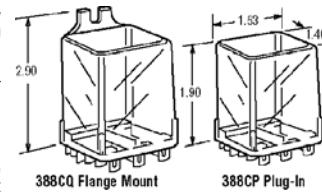


Series A 101 is a solenoid-actuated heavy duty contactor. Each contactor has a single pole, double make normally open or normally closed contacts. Contacts are enclosed within a molded plastic cover. Coil are rated up to 250 VDC. The powerful magnetic structure creates very high contact pressure which results in very reliable and low contact resistance. Size: 2.5 L x 2.7 W x 2.5 H.

Stock No.	Mfr.'s Type	Input Voltage	EACH		
			1-9	10-24	25-49
850-0270	A101HXX-12D	12 VDC	230.87	211.63	195.35
850-0275	A101HXX-28D	28 VDC	161.68	148.21	136.81
850-0365	A101XXH-12D	12 VDC	184.92	169.51	156.47
850-0285	A101XXH-28D	28 VDC	184.92	169.51	156.47

Class 388 Square Base Relays with Dust Cover

Manufactured Under Quality System ISO 9002 and QS 9000



cRU US
UL Recognized File No. E43641

Rated: SPDT — 13 amp; DPDT — 12 amp; 3PDT — 11 amp @ 120/240 VAC, 28 VDC. Terminals: 3/16" x 0.20, accept 3/16" Q.C. terminals. Top flange cover and PC terminals available. Contacts: Silver cadmium oxide gold flashed. Mates with socket 70-463-1, 70-178-1. Spring clip 16-1278 ordered separately. UL listed when used with 70-463-1 socket.

Flange Mount Dust Cover

Stock No.	Mfr.'s Type	Contacts	Coil Voltage	EACH			
				1-9	10-24	25-49	50-99
850-5054	W388ACQX-4	SPDT	120 VAC	8.33	7.58	6.92	6.42
850-5055	W388ACQX-9	DPDT	120 VAC	8.87	8.06	7.37	6.84
850-5056	W388ACQX-14	3PDT	120 VAC	10.78	9.79	8.95	8.31
850-5042	W388CQX-2	SPDT	12 VDC	12.30	11.28	10.31	9.57
850-5046	W388CQX-6	DPDT	12 VDC	8.87	8.06	7.37	6.84

Plug-In with Dust Cover

Stock No.	Mfr.'s Type	Contacts	Coil Voltage	EACH			
				1-9	10-24	25-49	50-99
850-5029	W388ACPX-9	DPDT	120 VAC	8.87	8.05	7.35	6.84
850-5049	W388ACPX-13	3PDT	24 VAC	14.95	13.70	12.52	11.63
850-5050	W388ACPX-14	3PDT	120 VAC	18.38	16.71	15.27	14.17
850-5036	W388CPX-6	DPDT	12 VDC	12.42	11.28	10.31	9.57
850-5037	W388CPX-7	DPDT	24 VDC	12.43	11.28	10.31	9.57
850-5052	W388CPX-10	3PDT	12 VDC	18.34	16.81	15.36	14.27
850-5053	W388CPX-11	3PDT	24 VDC	10.78	9.79	8.95	8.31

Class 388B with Magnetic Blowout for DC Switching

Rated: SPDT — 13 amp; DPDT — 12 amp; 3PDT — 11 amp @ 120/240 VAC, 28 VDC. With additional DC switching ratings.

AC Operated, DPDT, Rated 3 Amp @ 150 VDC

Stock No.	Mfr.'s Type	Coil Voltage	Ohms	EACH			
				1-9	10-24	25-49	50-99
850-5059	W388ABCPX-5	120 VAC	—	10.65	9.68	8.83	8.20

DC Operated, DPDT, Rated 3 Amp at 150 VDC

Stock No.	Mfr.'s Type	Coil Voltage	Ohms	EACH			
				1-9	10-24	25-49	50-99
850-5060	W388BCPX-2	12 VDC	120	10.66	9.67	8.84	8.20
850-5061	W388BCPX-3	24 VDC	472	16.93	15.50	14.19	13.15
850-5062	W388BCPX-5	110 VDC	10000	11.76	10.69	9.77	9.06

AC Operated, SPST-NO-DM, Rated 10 Amp @ 150 VDC

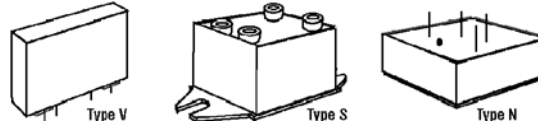
Stock No.	Mfr.'s Type	Coil Voltage	Ohms	1-9	10-24	25-49	50-99
850-5063	W388ADBCPX-5	120 VAC	—	10.66	9.67	8.84	8.20

DC Operated, SPST-NO-DM, Rated 10 Amp @ 150 VDC

Stock No.	Mfr.'s Type	Coil Voltage	Ohms	EACH			
				1-9	10-24	25-49	50-99
850-5064	W388BCPX-2	12 VDC	120	10.66	9.65	8.83	8.21
850-5065	W388BCPX-3	24 VDC	472	10.66	9.65	8.83	8.21
850-5066	W388BCPX-5	110 VDC	10000	11.76	10.68	9.76	9.06

Series 70 Miniature Solid State Relays

— NEW —



cRU US
E52197
168986

Formerly Grayhill

SPST-NO relays provide 4000 VAC optical isolation from sensitive logic circuits to field devices. Relay mount as P.C. terminal or flange mount. Flange styles mount on 1.187" (30.15 mm) centers as the bulkier hockey puck packages and switch loads up to 25 A. Suffix S have screw terminals with screws. Suffix N have quick connect terminals for push-on connectors which fit blade sizes 0.187" (4.75 mm) and 0.250" (6.35 mm) for the load size. Relays listed have a DC control of 3-30 V. UL recognized, CSA certified.

Stock No.	Mfr.'s Type	AC Load		EACH
		Voltage	Amps	1-9
850-0068	70S2-04-B-03-V	120 VAC	3	9.03
850-0069	70S2-04-C-03-V	240 VAC	3	9.50
850-0070	70S2-04-B-04-F	120 VAC	4	11.56
850-8006	70S2-04-B-06-S	120 VAC	6	13.42
850-8034	70S2-04-B-12-S	120 VAC	12	13.96
850-8016	70S2-04-C-12-S	240 VAC	12	14.47
850-8004	70S2-04-B-06-N	120 VAC	6	12.09
850-8012	70S2-04-C-06-N	240 VAC	6	13.88
850-8014	70S2-04-C-12-N	240 VAC	12	13.40
850-8002	70S2-03-C-25-S	280 VAC	25	23.10
850-0080	70S2-04-D-03-V	50 VAC	3	9.03
850-0085	70S2-01-A-03-V	60 VDC	3	10.35
850-0090	70S2-02-A-05-S	60 VDC	5	16.20
850-0095	70S2-01-A-05-S	60 VDC	5	16.20
850-0100	70S2-01-A-05-N	60 VDC	5	15.27