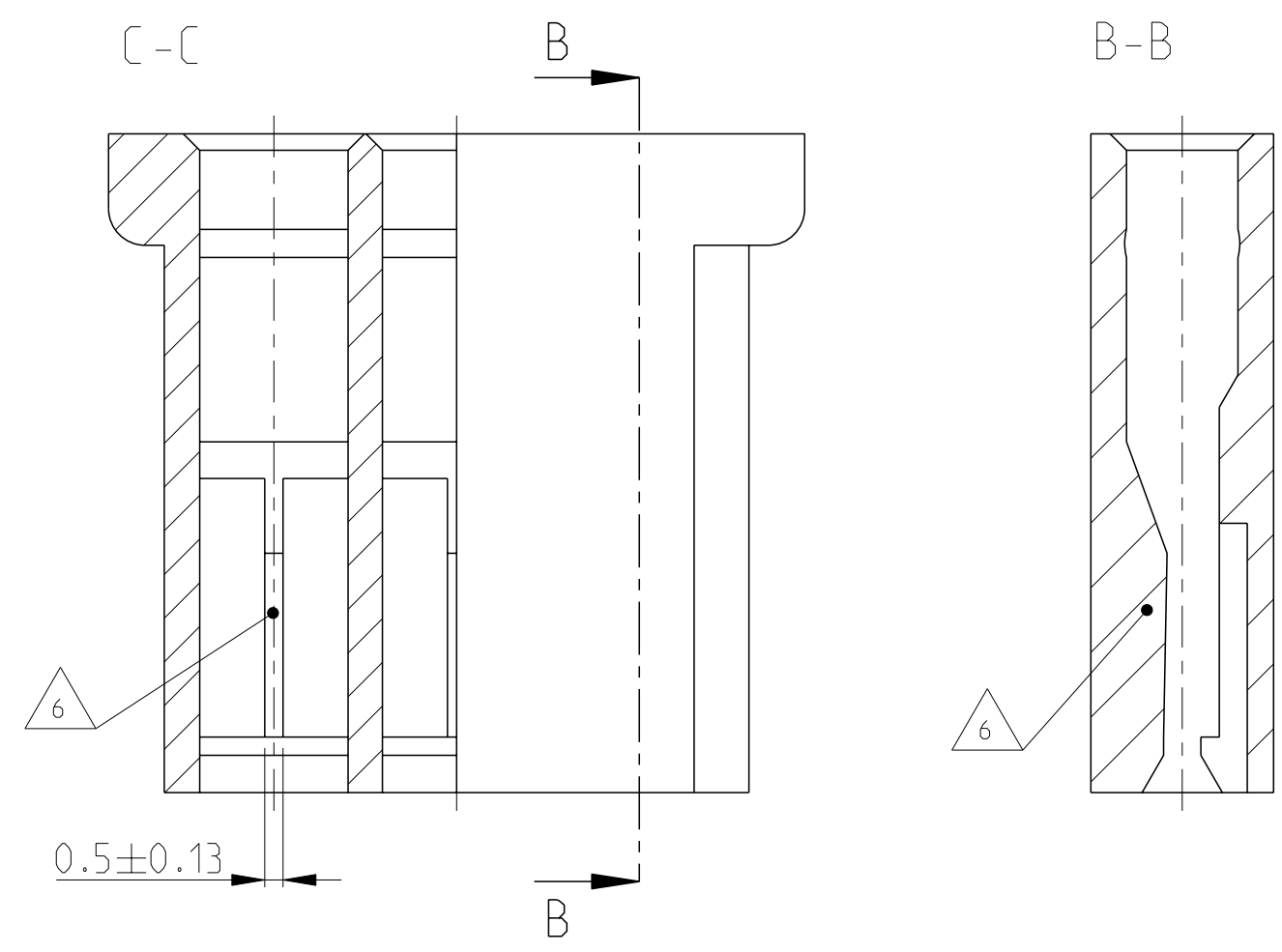
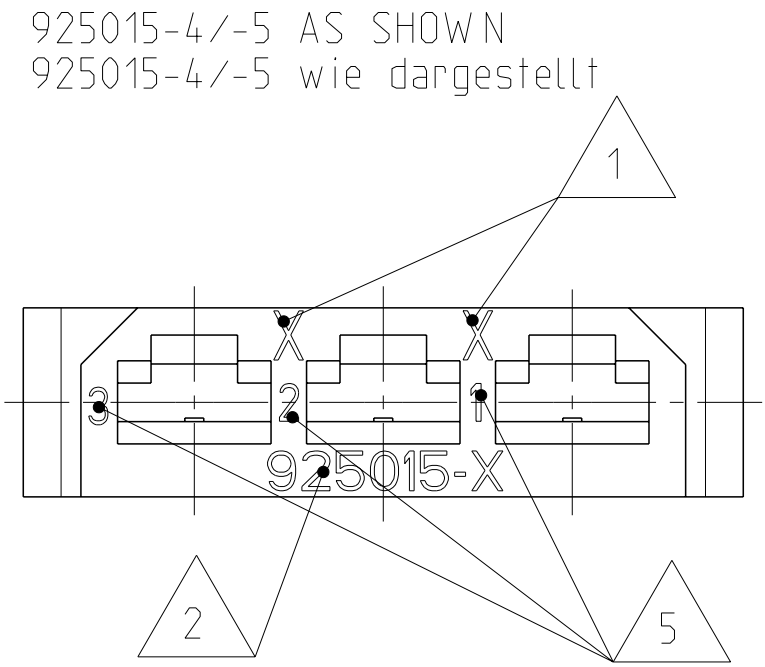
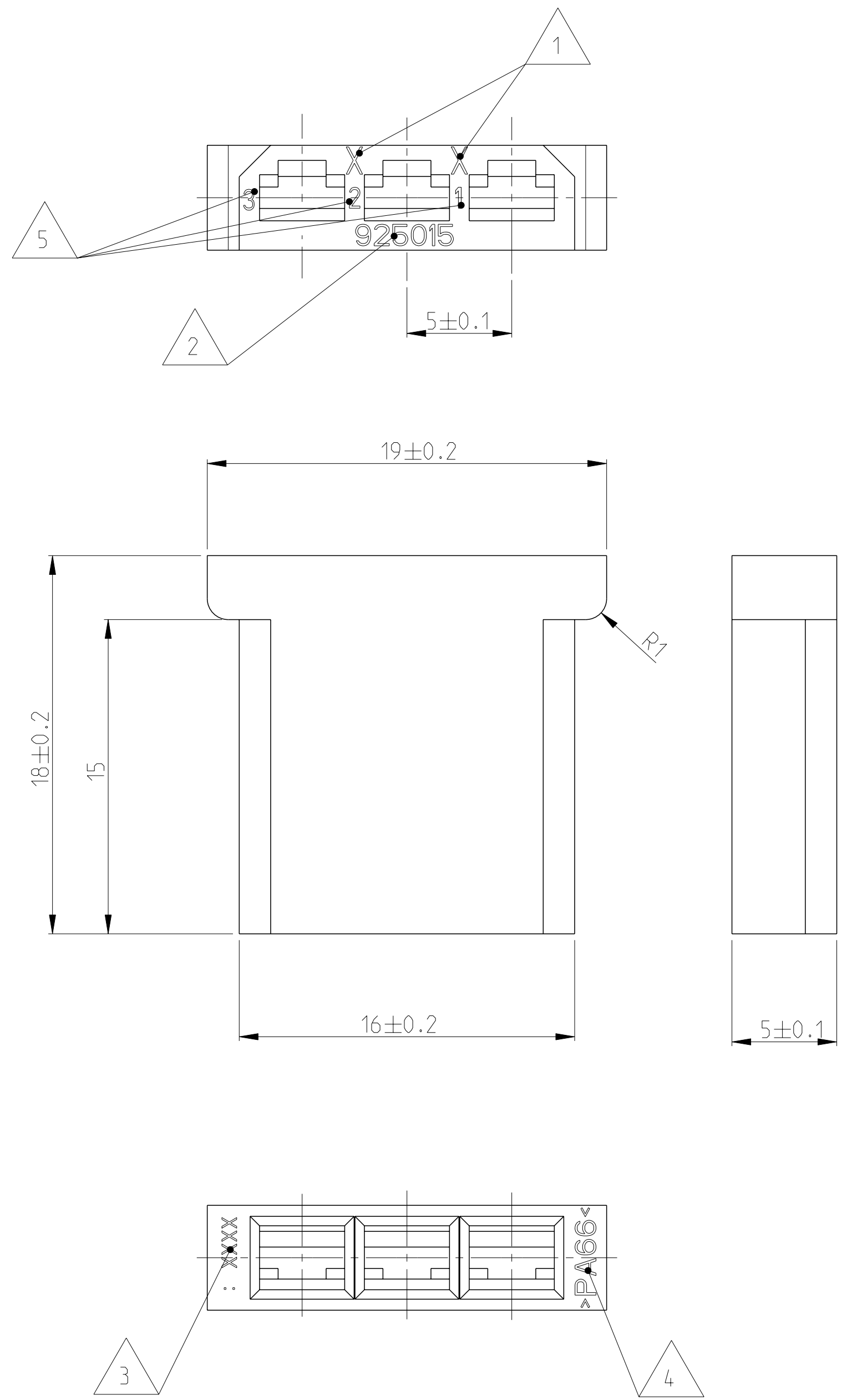
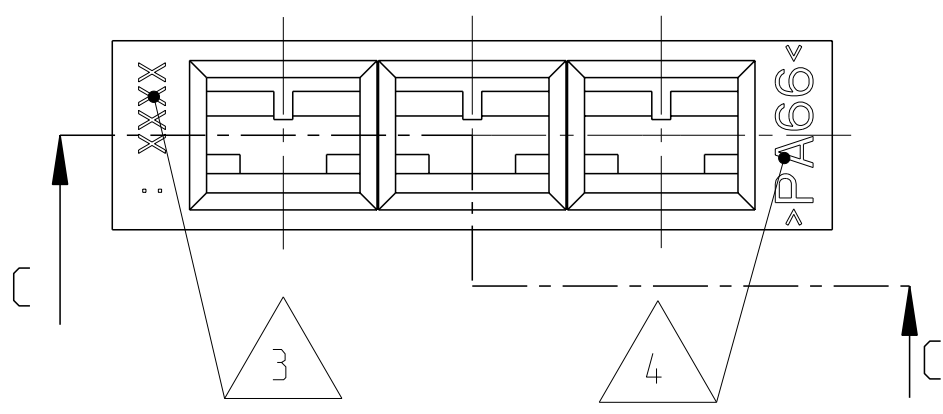


LOC	DIST	REVISIONS			
P	LTR	DESCRIPTION	DATE	DWN	APVD
E3		Drawing update	16NOV2004	Haas	Stre.
E4		PN 925015-4 added	28MAR2006	Haas	Stre.
E5		REVISED PER ECO-11-005150	03MAY2011	RK	HMR
E6		New packaging variant 925015-5	07NOV2012	Mah.	Schin



- NOTES
Bemerkungen
- 1 MOULD CAVITY NUMBER
Werkzeugnestzahl
 - 2 PART NUMBER
Teilenummer
 - 3 ARTWORK LOGO
Firmenzeichen
 - 4 MATERIAL MARKING
Werkstoffkennzeichnung
 - 5 CHAMBER NUMBER
Kammernummer
 - 6 CODING RIB
Kodiersteg
 - 7 WEIGHT: 925015-0/-1/-2/-3 - 0.94g
WEIGHT: 925015-4 - 0.98g
Gewicht: 925015-0/-1/-2/-3 - 0.94g
Gewicht: 925015-4 - 0.98g
 - 8 PACKAGING VARIANT
Verpackungsvariante



ORDER-NO.	REV	DESCRIPTION	MATERIAL	COLOUR
925015-5	8	3POS. HOUSING	PA6.6	NATURAL
925015-4	6	3POS. HOUSING	PA6.6	NATURAL
925015-3	E	3POS. HOUSING	PA6.6 (ZYTEL 101)	NATURAL
925015-2	E	3POS. HOUSING	PA6.6	RED
925015-1	E	3POS. HOUSING	PA6.6	BLACK
925015-0	E	3POS. HOUSING	PA6.6	NATURAL

THIS DRAWING IS A CONTROLLED DOCUMENT.

DWN Haas.C. 21MAR2005
 CHK Stredak.F. 22MAR2005
 APVD Bleicher.M. 31MAR2005

TE Connectivity

NAME 3POS. FASTIN-FASTON REC. HSG. SER.110
 3pol. F.F. Steckhuelsengehaeuse SERIE 2.8

SIZE CAGE CODE DRAWING NO. RESTRICTED TO
 A2 00779 C-925015

SCALE 5:1 SHEET 1 OF 1 REV. E6

Customer Drawing