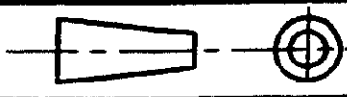
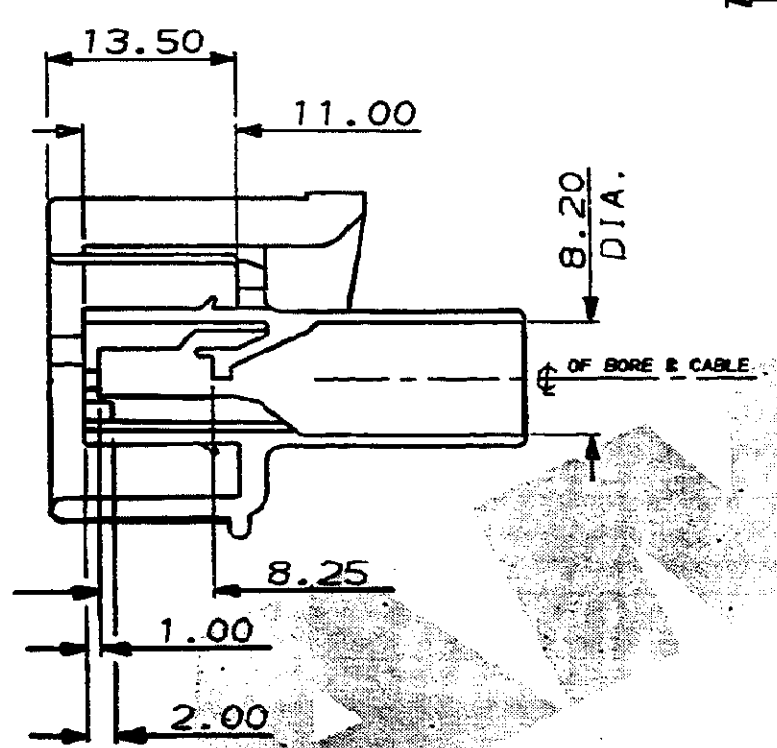
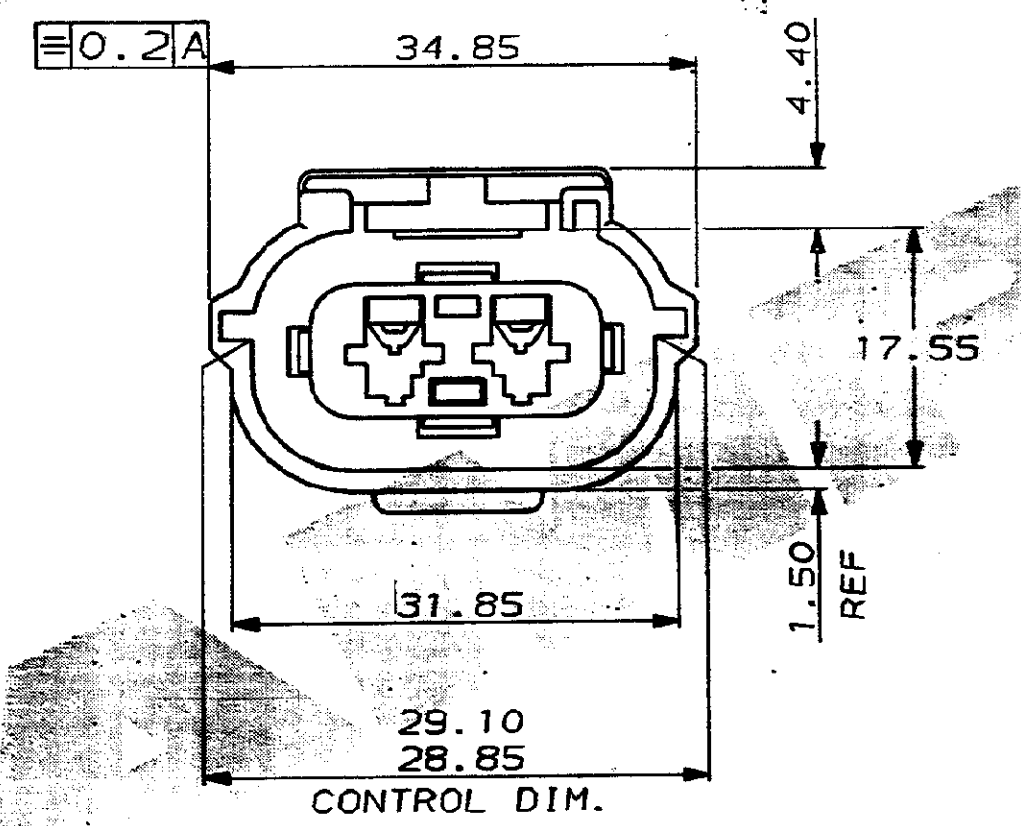
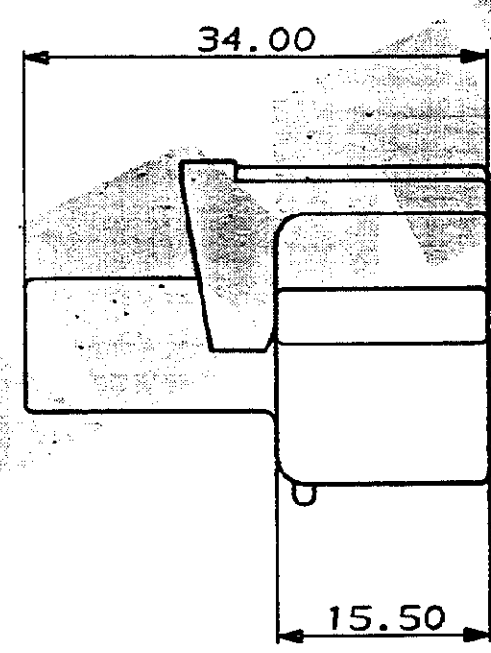
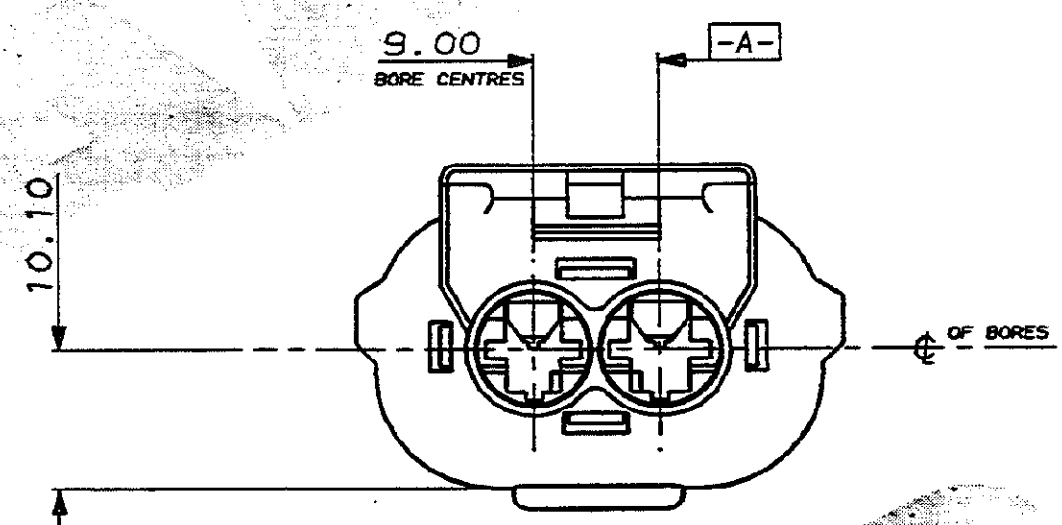
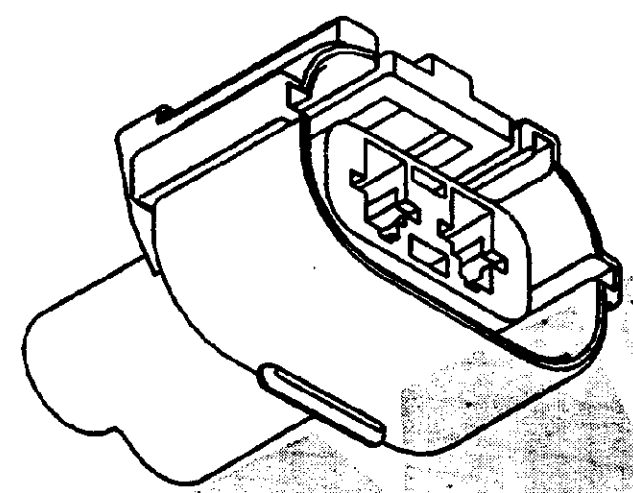
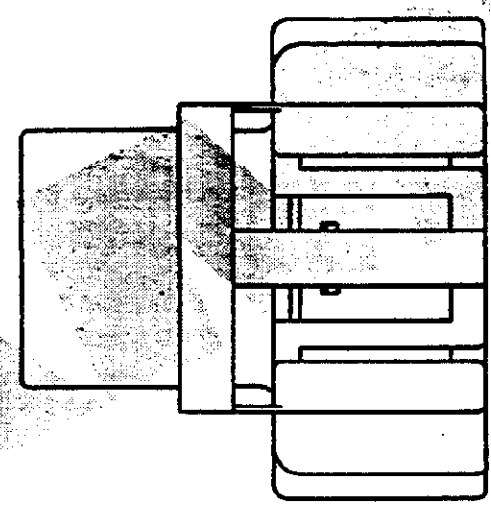
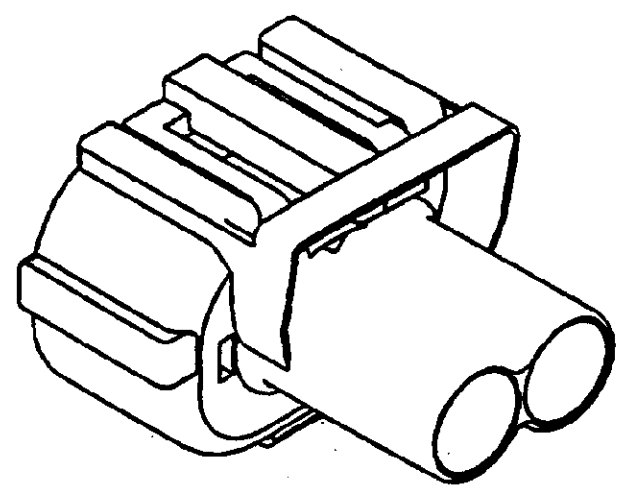


DO NOT SCALE

DIMENSIONS IN MM.



C.A.D. FILE CODE
S. C344078.D



WHITE	NYLON 66	344078-4
BLUE	NYLON 66	344078-3
RED	NYLON 66	344078-2
BLACK	NYLON 66	344078-1
FINISH	MATERIAL	PART NUMBER
CUSTOMER DWG FOR REFERENCE ONLY © COPYRIGHT 1987 BY AMP OF GREAT BRITAIN LTD. ALL INTERNATIONAL RIGHTS RESERVED. ALL PRODUCTS MAY BE COVERED BY BRITISH AND FOREIGN PATENTS AND/OR PATENTS PENDING. 22/06/87		
TOLERANCES UNLESS OTHERWISE STATED: DEC ± 0.5 ANGLES ± 1°		DR. I.J. 22/06/87 CH. R.J.S. APP. B.J.
NAME 2 WAY RECEPTACLE HSG ECONOSEAL 3 HIGH CURRENT		
SCALE 2/1 LOC E SIZE A2		DWS.No. C344078 REV D SHEET 1/1
REV	APPROVED	ECN DATE