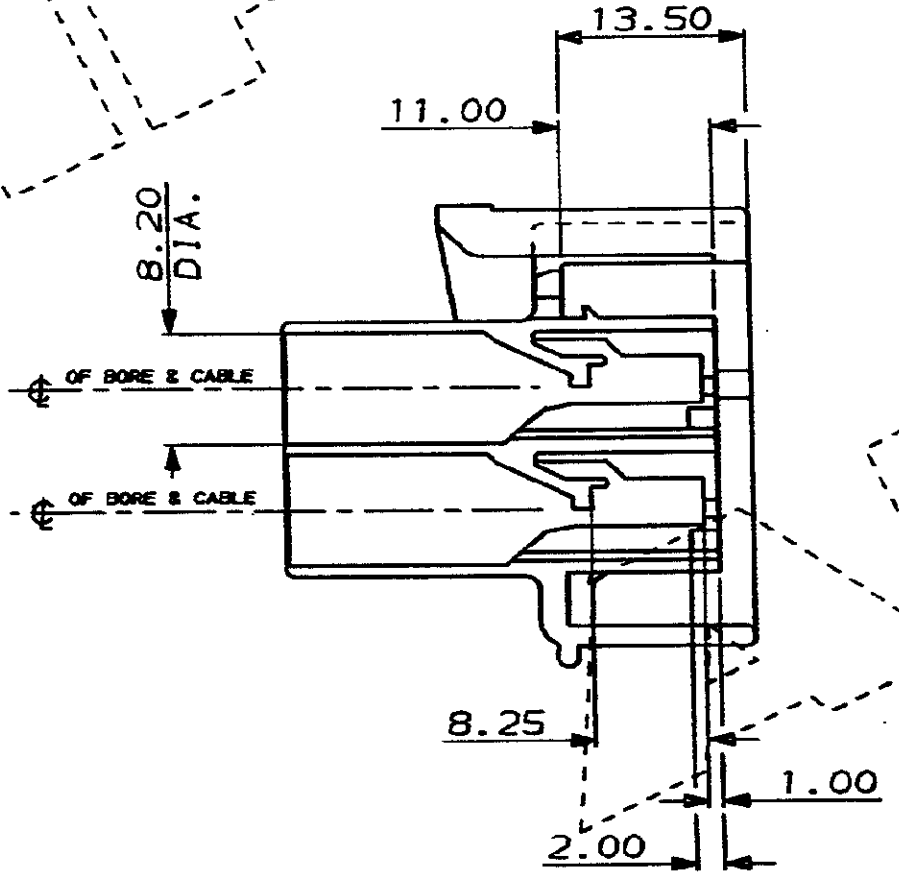
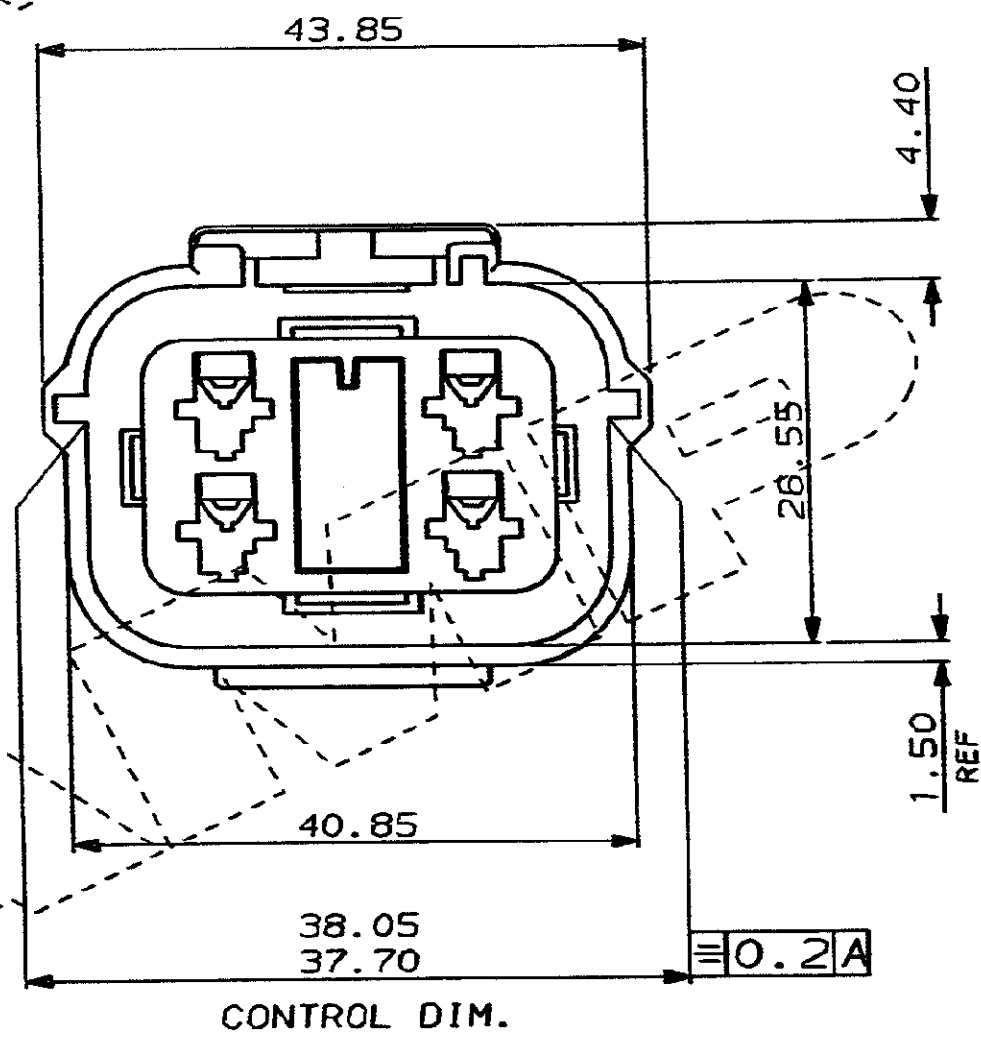
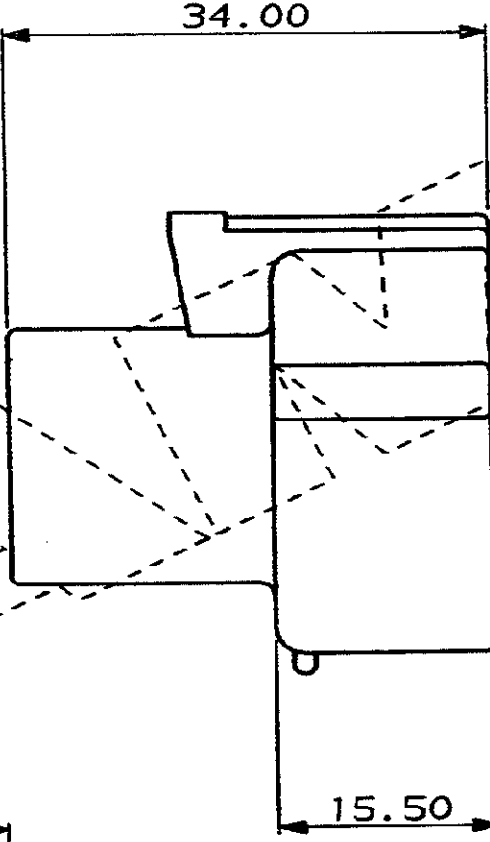
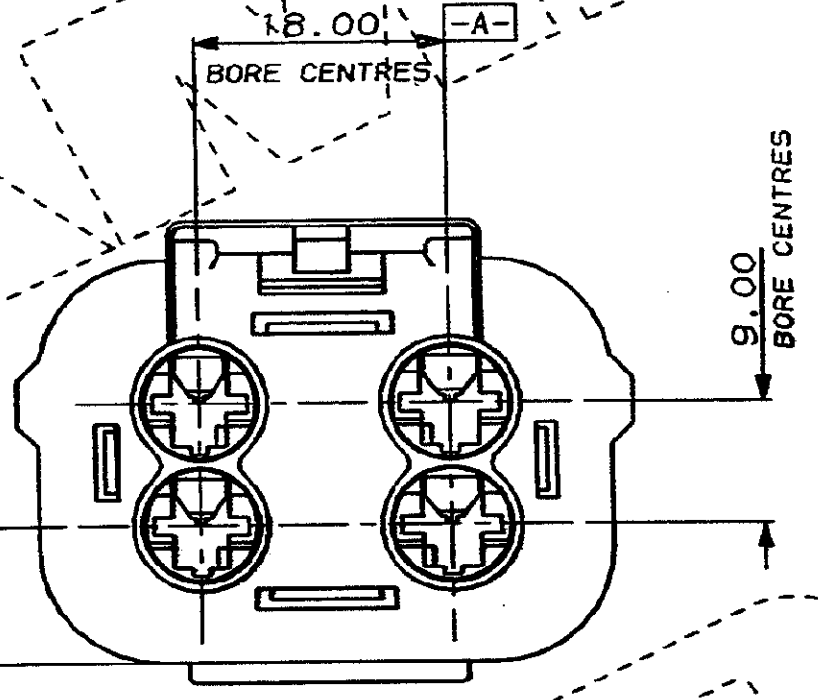
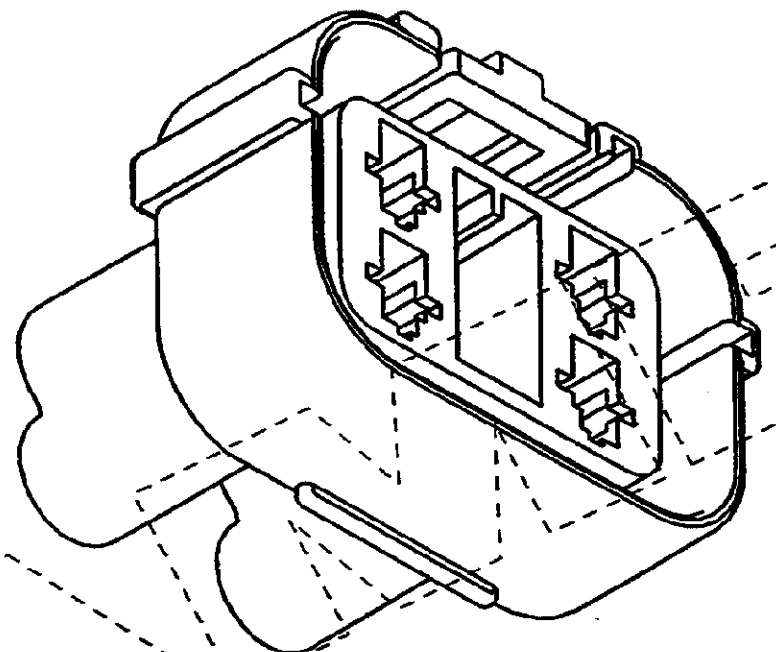
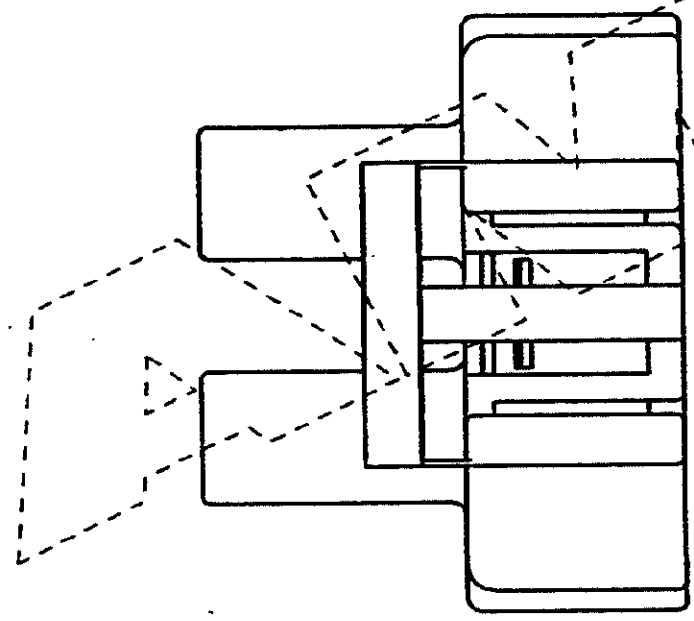
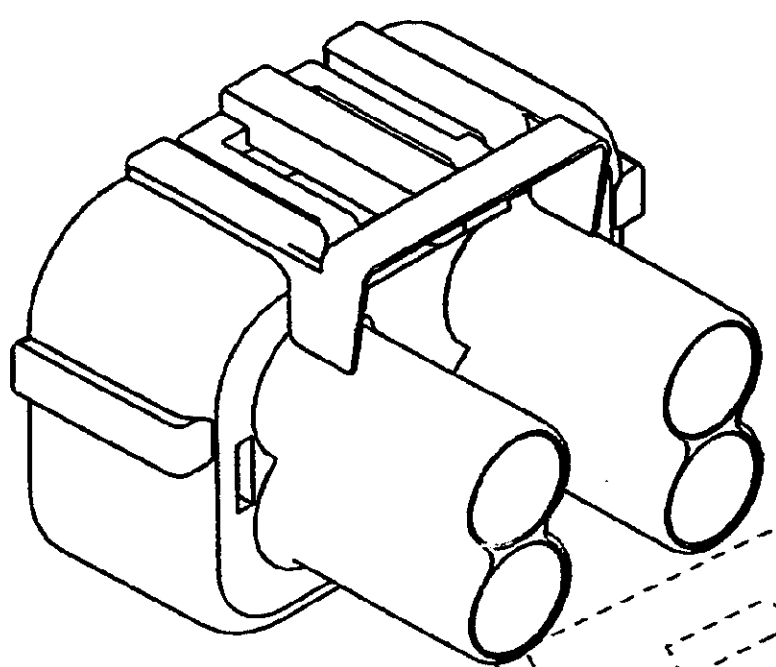
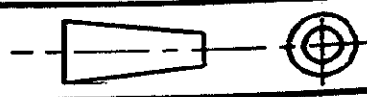


8 7 6 5 4 3 2 1

DO NOT SCALE

DIMENSIONS IN MM.



WHITE	NYLON 66	344077-4
BLUE	NYLON 66	344077-3
RED	NYLON 66	344077-2
BLACK	NYLON 66	344077-1
FINISH	MATERIAL	PART NUMBER

CUSTOMER DWG FOR REFERENCE ONLY		© COPYRIGHT 1987 BY AMP OF GREAT BRITAIN LTD. ALL INTERNATIONAL RIGHTS RESERVED. ALL PRODUCTS MAY BE COVERED BY BRITISH AND FOREIGN PATENTS AND/OR PATENTS PENDING.		RELEASED FOR PUBLICATION 22/06/87	
TOLERANCES UNLESS OTHERWISE STATED DEC ± 0.5 ANGLES ± 1°		DR. I. J.		22/06/87	
C AMED -2, -3 & -4		CS988 4.12.81		CH. R. J. S. APP. B. J.	
B UPDATED		CS240 12.6.80		 AMP of Great Britain Ltd.	
A UPDATED		CS600 20.7.85			
O DEL. FOR MBL		C4758 24.2.88		TERMINAL HOUSE STANNORE MIDDL.	
REV	APPROVED	ECM	DATE	SCALE	SHEET
				2/1 E A2	1/1