

PART NO.	LENGTH	REF. OVERALL LENGTH
847281002	1.5M (4' 11.06")	1.55M (5 FT 1 1/8 IN)
847281001	2.0M (6' 6.74")	2.05M (6 FT 8 13/16 IN.)
847281003	3.0M (9' 10.10")	3.05M (10 FT 3/16 IN)
847281004	5.0M (16' 4.85")	5.05M (16 FT 6 7/8 IN)
847281005	0.15M (0' 5.91")	0.20M (0 FT 8 IN)
847281905	0.28M (10.84")	0.33M (1 FT 15/16 IN)

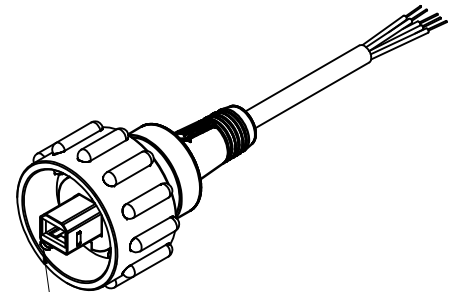
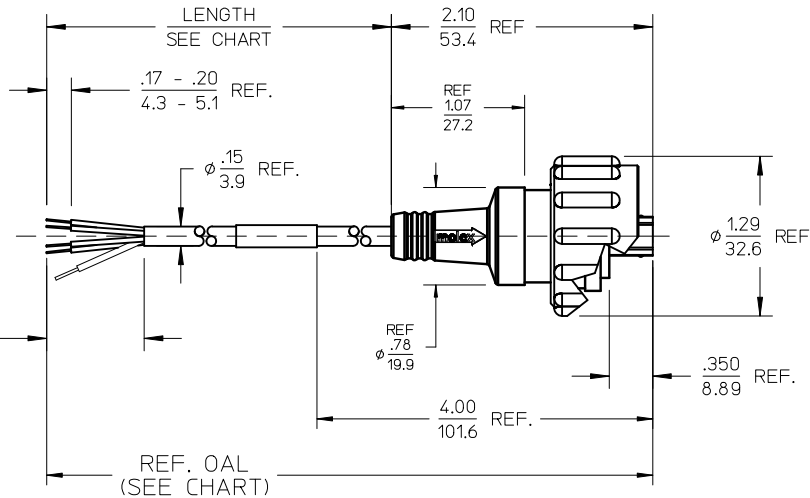
(K)

P1	
RED	1
WHT	2
GRN	3
BLK	4
DRAIN	

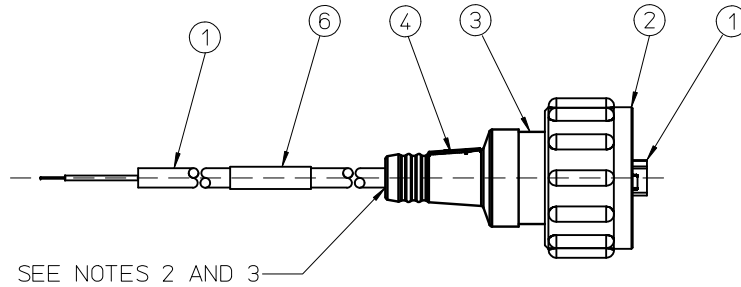
SHIELD

WIRING DIAGRAM

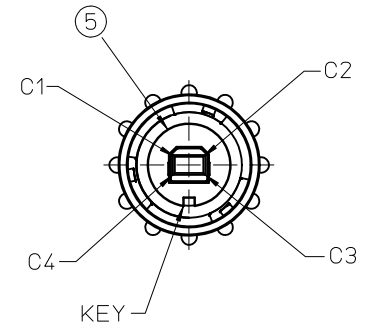
.75 - 1.00 REF.
19.0 - 25.4



BAYONET STYLE LOCKING INTERFACE



SEE NOTES 2 AND 3



KEY

- NOTES: UNLESS OTHERWISE SPECIFIED.
1. MATERIAL: SEE TABLE.
 2. FINISHES: SEE TABLE.
 3. PRODUCT SPEC: PS-84727-002
 4. PACKAGING: SEALED POLY BAG.
 5. MATES WITH: USB TYPE-B RECEPTACLES.
 6. ASSEMBLY IS RoHS COMPLIANT.

ITEM	QTY.	DESCRIPTION	MATERIAL	FINISH
6	1	WRAP LABEL	PLASTIC FILM	BLACK/YELLOW
5	1	GASKET SEAL	NITRILE	BLACK
4	1	OVER MOLDING	PVC	BLACK
3	1	HOLDER	POLYESTER	BLACK
2	1	COUPLING RING	POLYESTER	BLACK
1	1	USB TYPE-A PLUG SHIELDED PIGTAIL	BRASS/PLASTIC	

ADDED P/N EC NO: WNA2011-0167 DR: WAINSTONE 2010/10/19 CHKD: HARTMANN 2010/10/26 APPR: JF MURPHY 2010/12/14 K	QUALITY SYMBOLS ▽=0 ▽=0	GENERAL TOLERANCES (UNLESS SPECIFIED)		DIMENSION STYLE IN/MM		SCALE 1:1	DESIGN UNITS INCH	THIRD ANGLE PROJECTION			
		4 PLACES ± --- ± --- 3 PLACES ± --- ± .005 2 PLACES ± 0.13 ± .01 1 PLACE ± 0.3 ± ---	mm INCH	DRAWN BY S.GILBERT	DATE 06-29-04	PLUG, USB TYPE-B, SHIELDED, PIGTAIL CIC					
		ANGULAR ± 2 °		CHECKED BY G.ROBERTSON	DATE 10-05-04						
		DRAFT WHERE APPLICABLE MUST REMAIN WITHIN DIMENSIONS		SEE CHART		APPROVED BY JFMURPHY	DATE 2009/12/15	Molex MOLEX INCORPORATED		DOCUMENT NO. SD-84728-001	SHEET NO. 1 OF 1