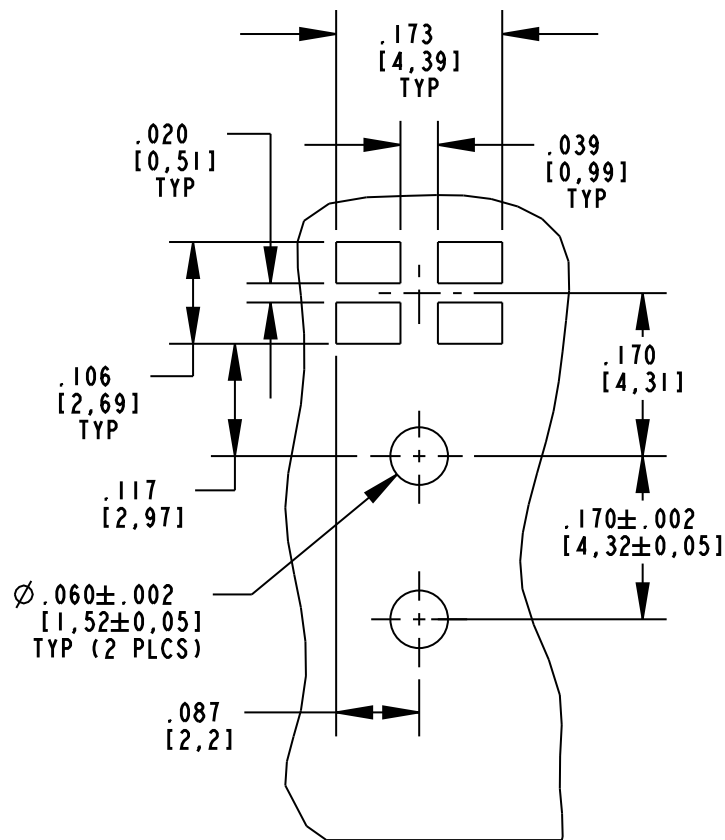
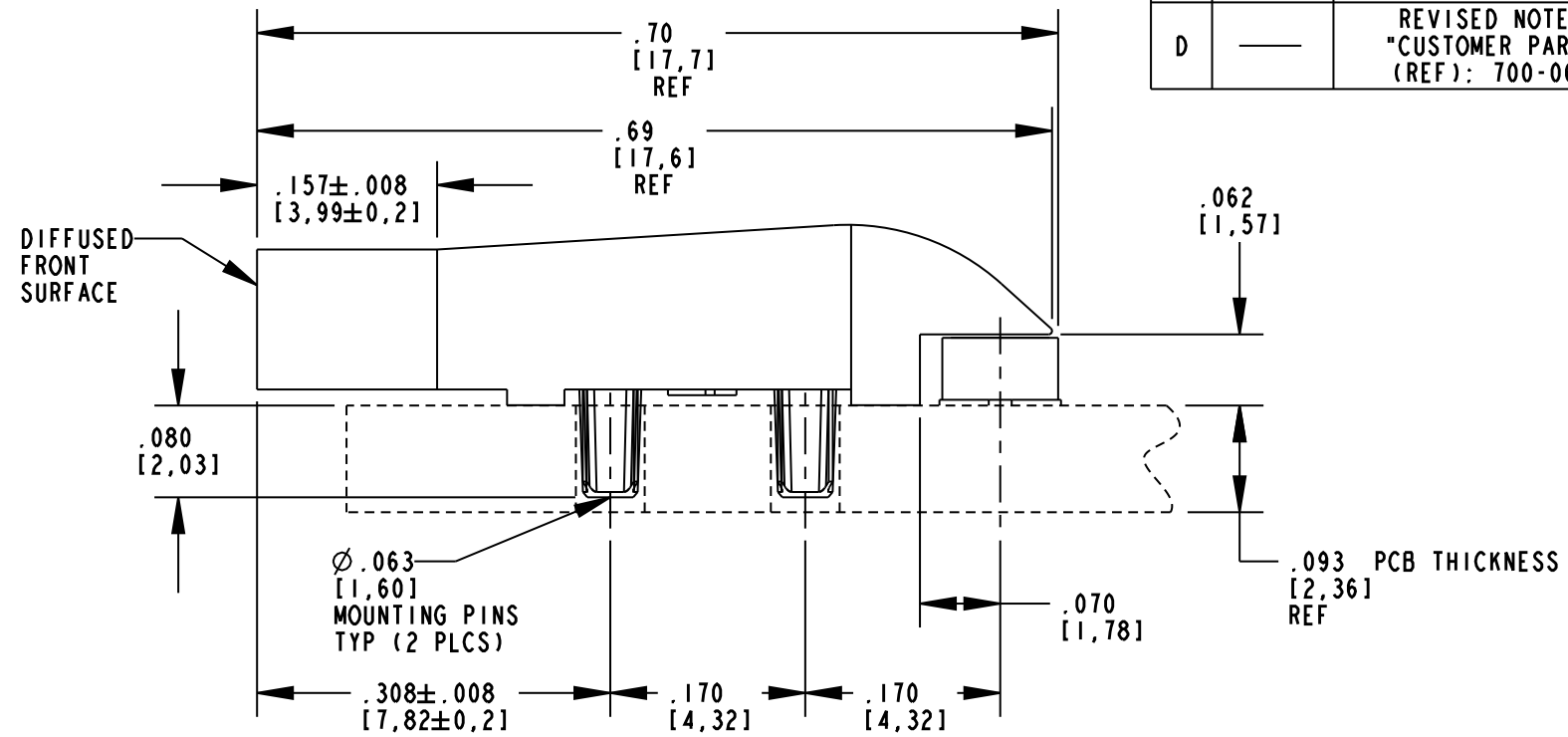
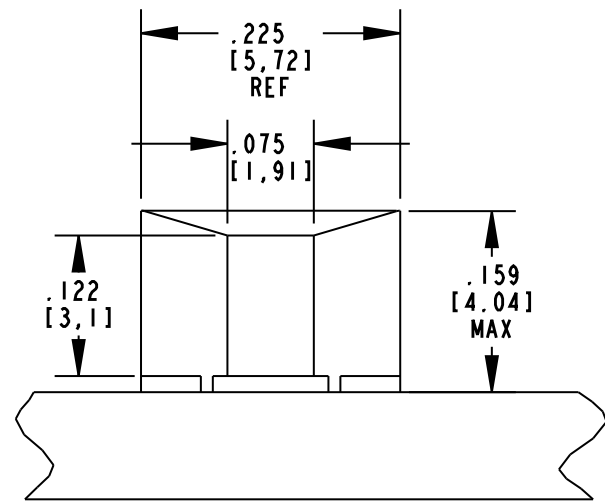


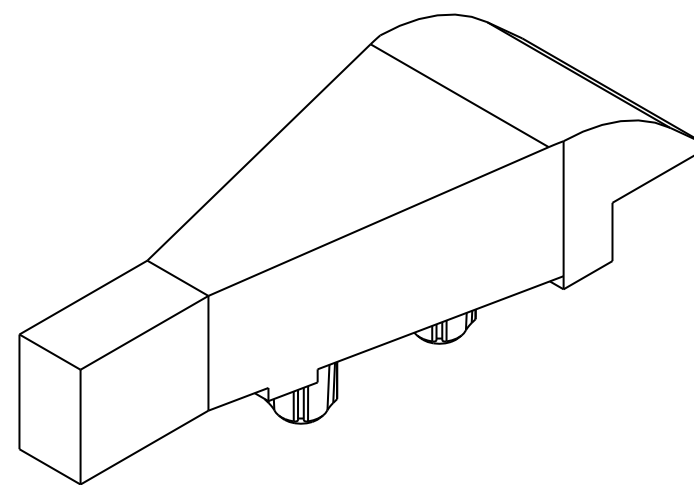
RoHS COMPLIANT 515-1137F

Part Numbers with the "F" suffix ending are RoHS Compliant.
Packaging is marked with "RoHS Compliant" label or equivalent markings.

REV	ECN NO	REVISIONS	DRN	CKD	APP	DATE
A	—	NEW RELEASE	YIS	MES	N.O.	9-2-04
B	—	ADDED "(UL94V-0 FLAMMABILITY CLASS)" TO NOTE 1.	KLJ	N.O.	MES	10-25-07
C	—	ADDED PIN LENGTH DIMENSION; CHANGED NOTE 3; DIALIGHT P/N "515-1137F" WAS "515-1137"; ADDED RoHS COMPLIANT NOTE.	KLJ	NO	MES	10-16-08
D	—	REVISED NOTE 5, WAS "CUSTOMER PART NUMBER (REF): 700-06777-02"	AJF	JLC	NO	3-18-10



RECOMMENDED HOLE PATTERN
SCALE 5.000



SCALE 6.000

NOTES:

- COMPONENTS MOLDED IN A CLEAR TRANSMISSIVE POLYCARBONATE (UL 94V-0 FLAMMABILITY CLASS).
- COMPONENT TO BE PRESSED INTO .093" THICK P.C. BOARD.
- RECOMMENDED LIGHT SOURCES: SINGLE OR BI-COLOR SMT LEDS (DIALIGHT P/N'S: 597-3XXI-5XXF, 597-77XI-5XXF)
- DIALIGHT LIGHT PIPE PART NUMBER: 515-1137F
- CUSTOMER PART NUMBER (REF): 700-06777-01

THIS DRAWING AND THE CONTENTS HEREIN ARE CONFIDENTIAL AND THE SOLE PROPERTY OF DIALIGHT. REPRODUCTION OF THIS DRAWING OR CONSTRUCTION OF ANY PARTS WITHIN THIS DRAWING ARE FORBIDDEN WITHOUT THE WRITTEN CONSENT OF DIALIGHT.		
SCALE: 6.000 ALL DIM'S IN: INCHES (MM)	DRAWING NUMBER C-17176	REV D
TOLERANCES: UNLESS OTHERWISE SPECIFIED FRACTIONS: ±1/64 DECIMALS (.XX): ±.01 DECIMALS (.XXX): ±.005 DECIMALS (.XXXX): ±.0005 ANGLES: ±1°	TITLE SINGLE-ELEMENT LIGHTPIPE RoHS COMPLIANT	
FINISH:	MATERIAL	
FSCM 83330	Dialight 1501 ROUTE 34 SOUTH FARMINGDALE, NJ 07727	
SHEET 1 OF 1		FAMILY TABLE: