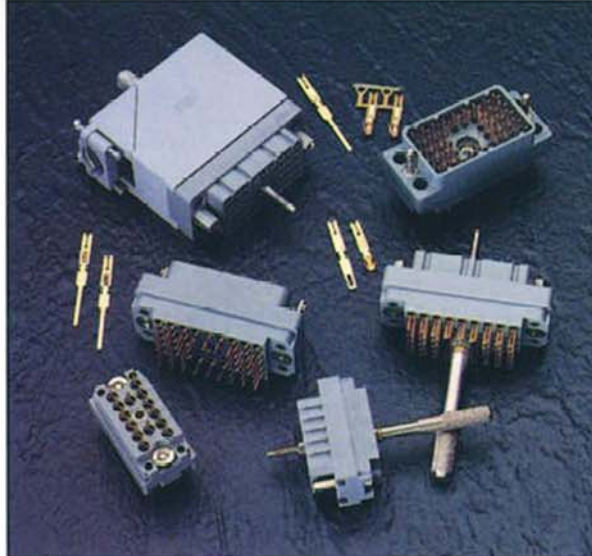




SERIES 519



FEATURES

.150 (3.81) Contact Spacing x .150 (3.81) Row Spacing
Suitable For Automatic Wire Wrapping

Plug and Receptacle in 14 or 36 Contact Sizes

Edacon Hermaphroditic Contact Mating Design

Contact Termination Options include Crimp, P.C. Tail,
Wire Hole and Wire Wrap

Mating and Unmating Simplified with use of Actuating
Screws

Optional Covers with Side or Top Entry Cable Clamp in
Plastic or Metal Material Available for all Connector Sizes

Versatile Metal Cover Design permits Assembly or
Disassembly After Cabling is Complete plus Cable Entry
Style Flexibility

Actuating Screws, Locknuts, Polarizing Hardware, Covers
and Contacts Suitable for either Plug or Receptacle

Polarizing Hardware Adjustable for 288 Mating
Combinations

Tools Available for Contact Installation, Removal and
Crimping and Polarizing Changes

SPECIFICATIONS

Insulator Material: Polycarbonate: Colour: Grey

Contact Material: Phosphor Bronze Alloy CA-510

Contact Plating: Gold over Nickel

Cover Material: Polycarbonate, Colour: Green, or Die-Cast
Zinc, Finished with Grey Enamel Paint

For Additional Specifications, Crimp Characteristics and
Polarizing Codes Refer to 516 Series

Example Part Number 519 - 036 - 500 - 3 0 1

Series _____
Total Number of Contacts _____
Contact Code _____
Connector Style _____
Cover Code _____
Hardware Code _____

Series 519

Total Number of Contacts 014, 036

Contact Code

See 516 Series for Available Contact Options, "G" Dimension and information
Regarding Ordering Contacts Separately

Connector Style	Style
3	Plug
4	Receptacle

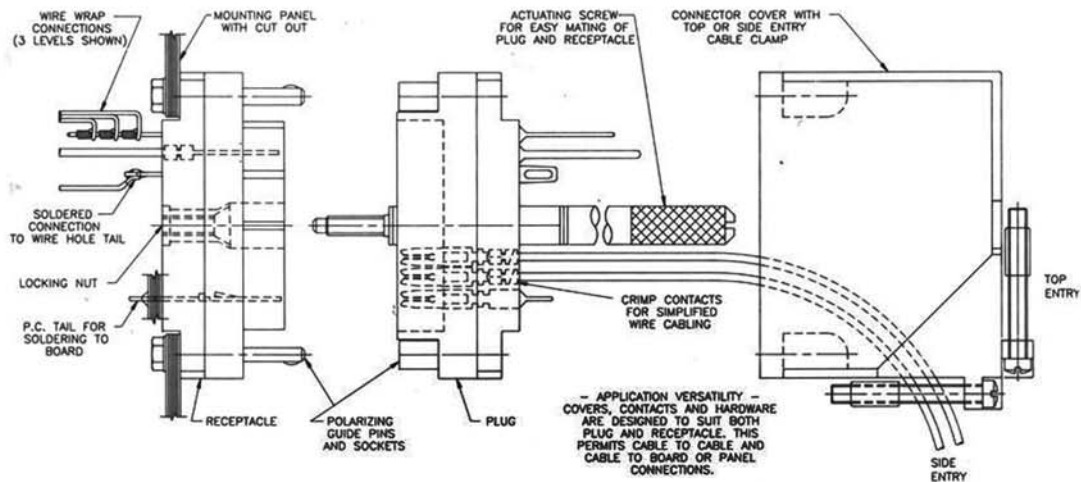
Cover Code	Description
0	No Cover Assembled
1	Plastic Cover, Top Entry Standard Clamp
2	Plastic Cover, Side Entry Standard Clamp
3	Plastic Cover, Top Entry Large Clamp
4	Plastic Cover, Side Entry Large Clamp
5	Metal Cover, Side Entry
6	Metal Cover, Top Entry

Hardware Code	Description
0	No Hardware Assembled
1	Actuating Screw and Polarizing Hardware
2	Locknut and Polarizing Hardware
5	Actuating Screw with No Polarizing Hardware
6	Locknut with No Polarizing Hardware

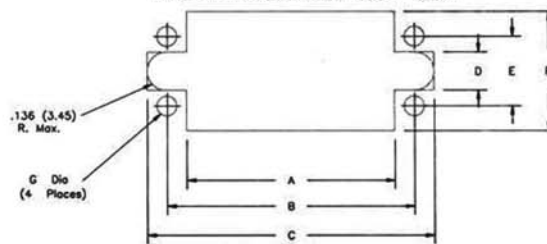
Ordering Code Notes

- 1) The 14 pin connector cover will not accept the length of the wire wrap contacts
- 2) Plastic covers with large clamps are only available for the 36 pin size connectors
- 3) Metal covers with side entry may be converted to top entry by removing side plate and changing clamp orientation
- 4) Covers may be ordered separately
- 5) Insulator design prevents improper mating of individual plug and receptacle. Polarizing hardware enables specific plug and receptacle mating combinations

RACK AND PANEL CONNECTORS



516 / 519 SERIES CONNECTOR PANEL MOUNTING CUT-OUT



516 SERIES CONNECTOR CUT OUTS

CONNECTOR SIZE	A	B	C	D	E	F	G Dia
20 pin	.960 (24.38)	1.126 (28.6)	1.270 (32.26)	.260 (6.60)	.410 (10.41)	.640 (16.26)	.104 (2.64)
38 pin	1.420 (36.07)	1.688 (42.87)	1.958 (49.73)	.260 (6.60)	.468 (11.89)	.816 (20.73)	.136 (3.45)
56 pin	1.940 (49.28)	2.280 (57.91)	2.550 (64.77)	.260 (6.60)	.468 (11.89)	.816 (20.73)	.136 (3.45)
90 pin	2.050 (52.07)	2.282 (57.96)	2.675 (67.95)	.300 (7.62)	.765 (19.43)	1.120 (36.07)	.136 (3.45)
120 pin	2.050 (52.07)	2.375 (60.32)	2.675 (67.95)	.300 (7.62)	.875 (22.22)	1.420 (36.07)	.156 (3.96)

519 SERIES CONNECTOR CUT OUTS

CONNECTOR SIZE	A	B	C	D	E	F	G Dia
14 pin	.960 (24.38)	1.126 (28.6)	1.270 (32.26)	.260 (6.60)	.410 (10.41)	.640 (16.26)	.104 (2.64)
36 pin	1.420 (36.07)	1.688 (42.87)	1.958 (49.73)	.260 (6.60)	.468 (11.89)	.816 (20.73)	.136 (3.45)