

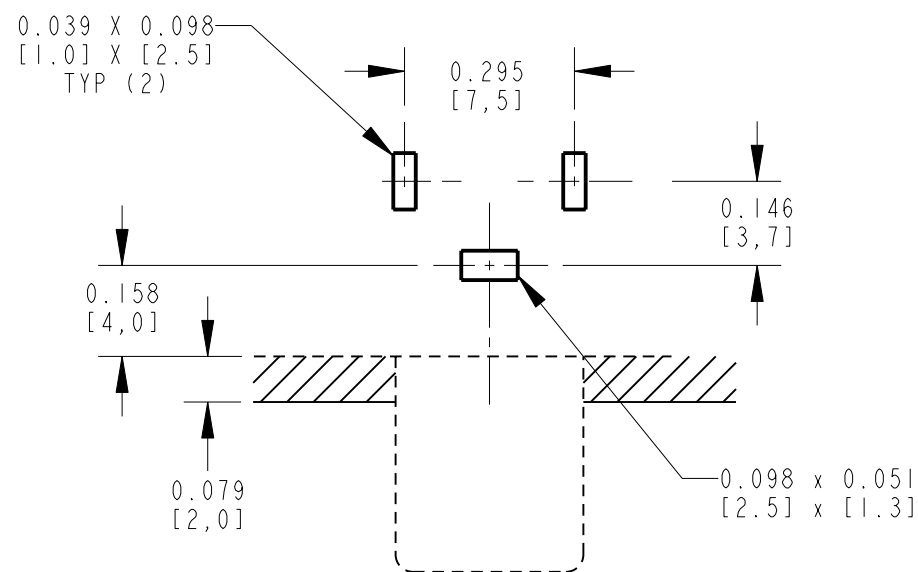
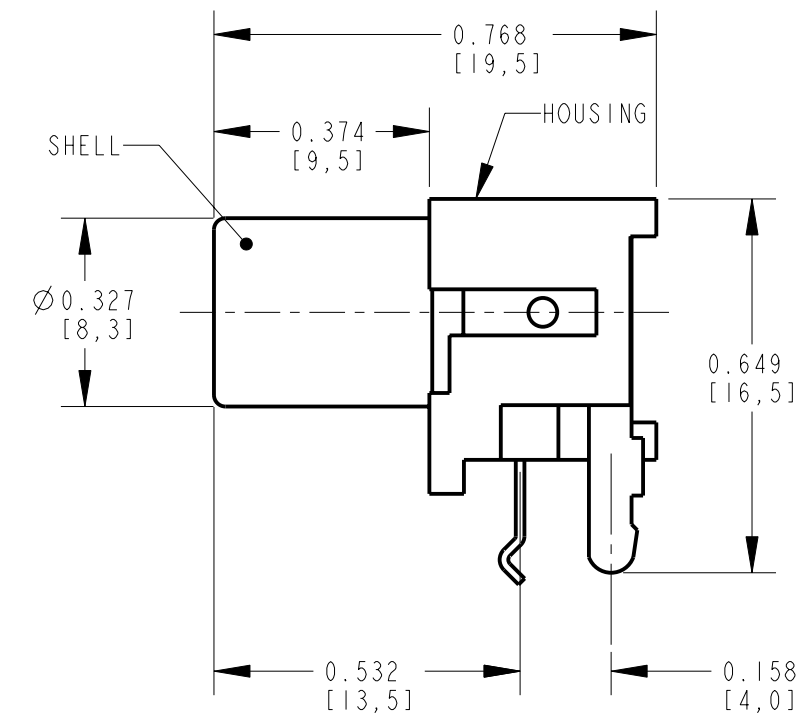
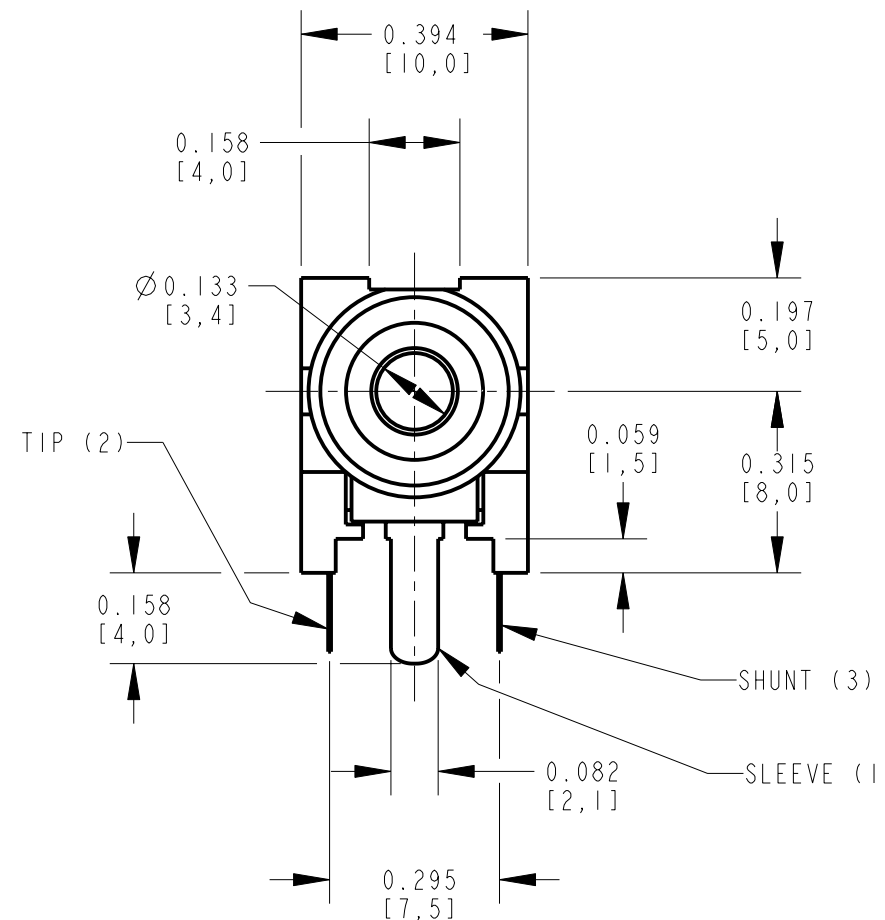
NOTES:

- ALL DIMENSIONS ARE REFERENCE.
- MATERIALS:  
HOUSING: ABS, UL-94HB  
SHELL & SLEEVE TERMINAL: COPPER ALLOY,  
NICKEL OR GOLD PLATED  
TIP & SHUNT TERMINALS: COPPER ALLOY, TIN PLATED
- THIS PART IS RoHS COMPLIANT

PART NUMBER	COLOR OF HOUSING	SHELL AND SLEEVE TERMINAL FINISH
PJ-RANIXIU01X	BLACK	NICKEL PLATED
PJ-RANIXIU01AUX	BLACK	GOLD PLATED
PJ-RANIXIU02X	WHITE	NICKEL PLATED
PJ-RANIXIU02AUX	WHITE	GOLD PLATED
PJ-RANIXIU03X	RED	NICKEL PLATED
PJ-RANIXIU03AUX	RED	GOLD PLATED
PJ-RANIXIU04X	YELLOW	NICKEL PLATED
PJ-RANIXIU04AUX	YELLOW	GOLD PLATED
PJ-RANIXIU07X	ORANGE	NICKEL PLATED



SCHEMATIC



P.C. BOARD LAYOUT  
COMPONENT SIDE

CUSTOMER DRAWING

					★ STAR SYMBOL DENOTES CRITICAL DIMENSION	THIS DRAWING DESCRIBES A DESIGN CONSIDERED PROPRIETARY IN NATURE, DEVELOPED AND MANUFACTURED BY SWITCHCRAFT INC. AND IS RELEASED ON A CONFIDENTIAL BASIS FOR IDENTIFICATION PURPOSES ONLY.					
					UNLESS OTHERWISE SPECIFIED	SIZE	WIDTH	MULT	LBS/M	TEMPER	
					1. ALL DIMENSIONS IN INCHES - TWO PLACE DECIMALS ±0.01 - THREE PLACE DECIMALS ±0.005 - ANGLES ±1° - ALL DIA. CONCENTRIC WITHIN 0.005 T.I.R.	FINISH		MATERIAL			
					2. FEATURES ON THE SAME CENTERLINE MUST BE ALIGNED WITHIN ±0.002	SPEC No.		SPEC No.			
					3. REMOVE ALL BURRS	FIRST USED ON		SCALE			
						3:1		Switchcraft®			
A	25181	1-13-06	JL	TJK	DATE DRAWN	BY	CHKD	APVD	SHEET 1 OF 1		
REV	ECO NUMBER	DATE	BY	APVD	13-Jan-06	JL	TJK 1-13-06	TJK 1-13-06	PART No.		
REVISIONS					DO NOT SCALE DRAWING					PJRANIXIU_X SERIES	
					NAME PHONO JACK - RIGHT ANGLE 1 POS, PC MOUNT, UNSHIELDED, RoHS					REV A	