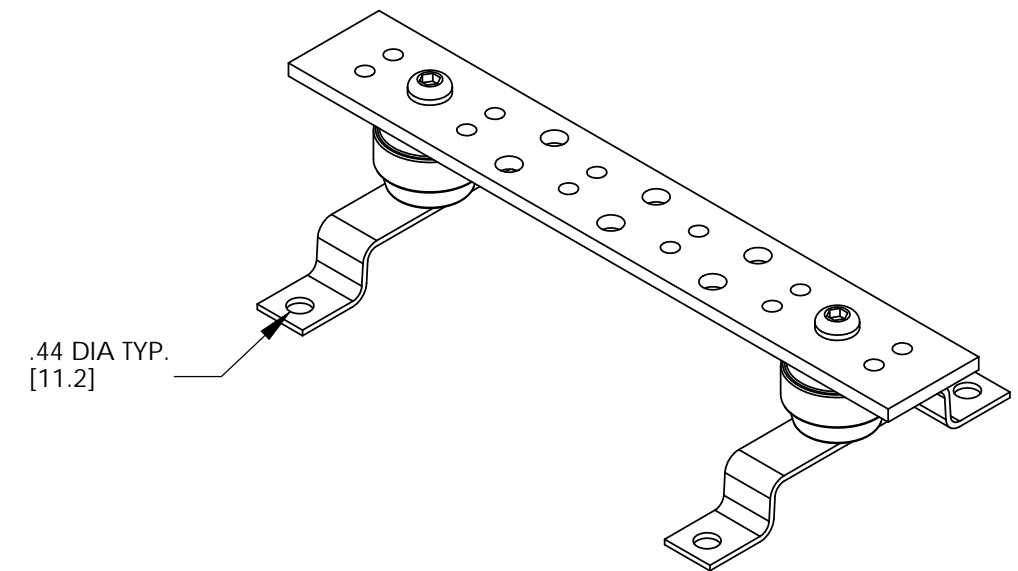
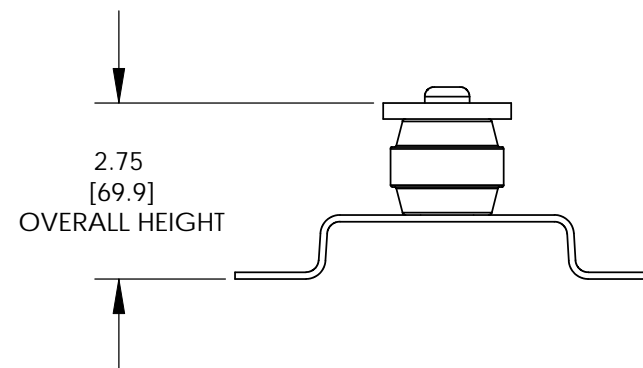
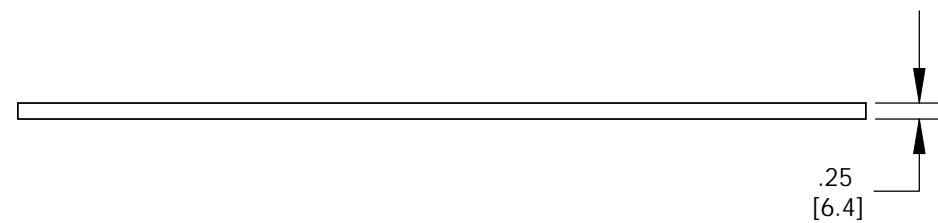
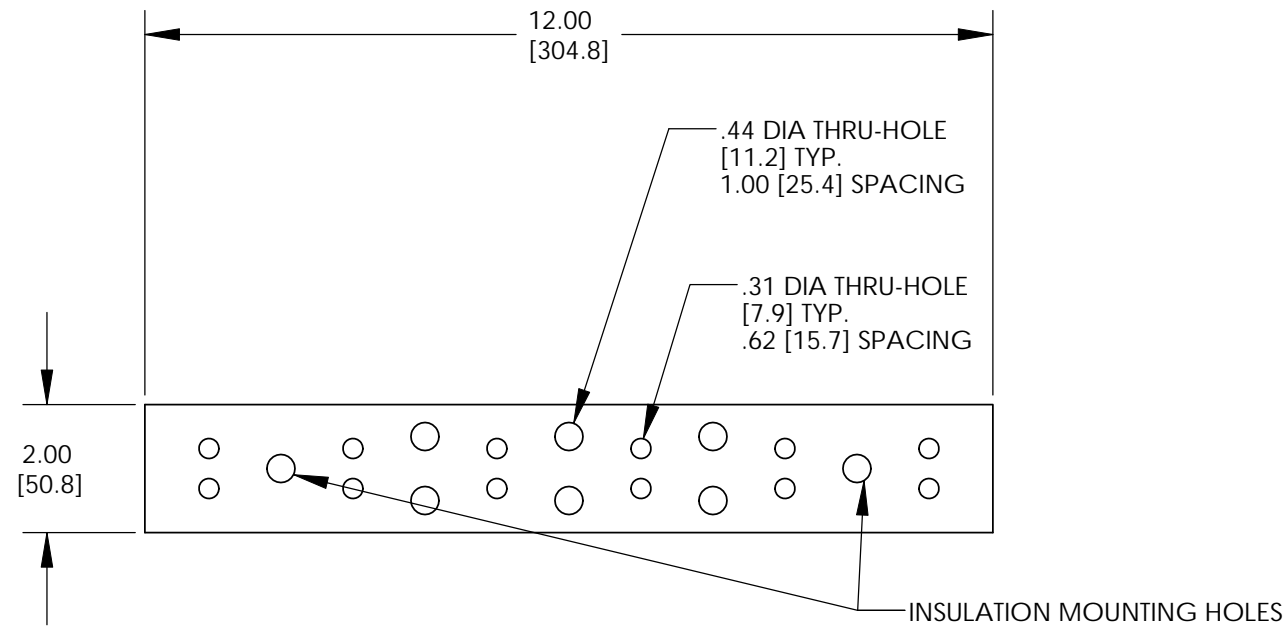


THIS COPY IS PROVIDED ON A RESTRICTED BASIS AND IS NOT TO BE USED IN ANY WAY DETRIMENTAL TO THE INTERESTS OF PANDUIT CORP.

NOTES:

1. KIT COMES FULLY ASSEMBLED
2. KIT INCLUDES BUSBAR, MOUNTING BRACKETS, INSULATORS, AND MOUNTING HARDWARE.
3. MEETS BICSI/J-STD-607-A
4. DIMENSIONS IN PARENTHESIS ARE MILLIMETERS.



ASSEMBLED AS SHOWN

04	12/10	JHNU	JHNU	REVISED AGENCY LOGO	N41505BA-C41505	FLD	FLD	<p>PANDUIT CORP. TINLEY PARK, ILLINOIS</p> <p>GROUNDING BUSBAR (GB2B0306TPI)</p> <p>CUSTOMER DRAWING</p>
03	11/08	JHNU	JHNU	REVISED DRAWING LAYOUT, REMOVED BRACKET VIEWS				
---	-----	----	----	CONVERTED DRAWING TO SOLIDWORKS REVISED BUSBAR BRACKET GEOMETRY				
02	11/08	JHNU	DWDA	REVISED DRAWING TO CURRENT STANDARD				
---	-----	----	----	REVISED HEIGHT DIMENSION: 1.00 WAS 1.50 ADDED NOTE 3 ADDED OVERALL HEIGHT DIMENSION TO ISO VIEW				<p>UNLESS OTHERWISE SPECIFIED DIMENSIONAL TOLERANCES ARE:</p> <p>(.X) ± (.XXX) ± (.XX) ± ANGLES ±</p>
01	9/06	JHNU	LEM					<p>UNLESS OTHERWISE SPECIFIED, ALL DIMENSIONS ARE GIVEN IN INCHES, THIRD ANGLE PROJECTION</p>
00	2/05	JHNU	LEM	DRAWING RELEASED				<p>SCALE NONE</p>
REV	DATE	BY	CHK	DESCRIPTION	ECN	SUP	CHK'D	<p>DRAWN BY JHNU</p> <p>DATE 2/05</p> <p>MAT'L:</p> <p>DRAWING NO / CAD FILE C41505_04</p> <p>DWG SIZE B</p>