

**ebm-papst Mulfingen GmbH & Co. KG**

Bachmühle 2

D-74673 Mulfingen

Phone: +49(0)7938/81-0

Fax: +49(0)7938/81-110

info1@de.ebmpapst.com

www.ebmpapst.com

**Nominal data**

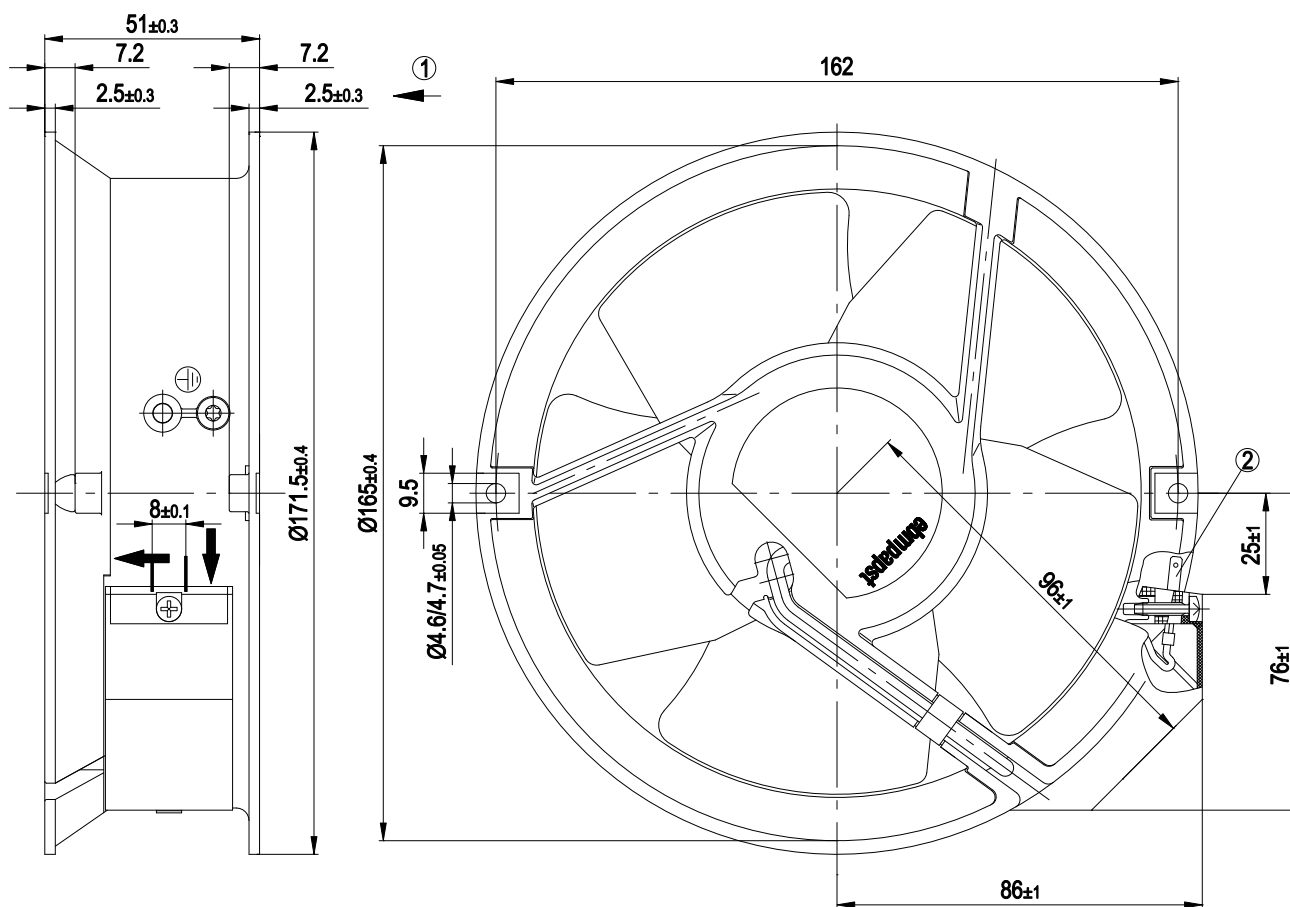
<b>Type</b>	<b>W2E143-AB15-01</b>		
<b>Motor</b>	<b>M2E052-BF</b>		
Phase		1~	1~
Nominal voltage	[V]	115	115
Frequency	[Hz]	50	60
Type of data definition		rfa	rfa
Valid for approval / standard		CE	CE
Speed	[min <sup>-1</sup> ]	2850	3300
Power input	[W]	26	29
Current draw	[A]	0.25	0.26
Motor capacitor	[µF]	3	3
Capacitor voltage	[VDB]	250	250
Capacitor standard		P0 (CE)	P0 (CE)
Max. ambient temperature	[°C]	60	75

ml = max. load · me = max. efficiency · rfa = running at free air · cs = customer specs · cu = customer unit  
 Subject to alterations

### Technical features

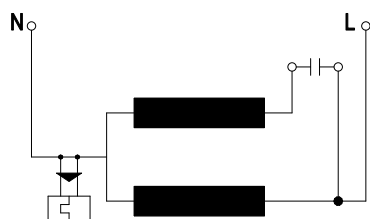
Leakage current	< 0.75 mA
Size	143 mm
Operation mode	S1
Direction of rotation	Counter-clockwise, seen on rotor
Mounting position	Any
Electrical leads	With plug
Direction of air flow	"V"
Insulation class	"B"
Condensate discharge holes	None, open rotor
Bearing motor	Ball bearing
Mass	0.95 kg
Material of blades	Sheet steel, coated in black
Material of wall ring	Die-cast aluminium, coated in black
Motor protection	Thermal overload protector (TOP) wired internally
Product conforming to standard	CE; EN 60335-1
Surface of rotor	Rotor open, coated in black
Number of blades	5
Type of protection	IP 20
Protection class	I (if earth wire is connected by customer)
Max. permissible ambient motor temp. (transp./ storage)	+ 80 °C
Min. permissible ambient motor temp. (transp./storage)	- 40 °C
Approval	CCC; CSA C22.2 Nr.113; GOST; UL 507; VDE

## Product drawing

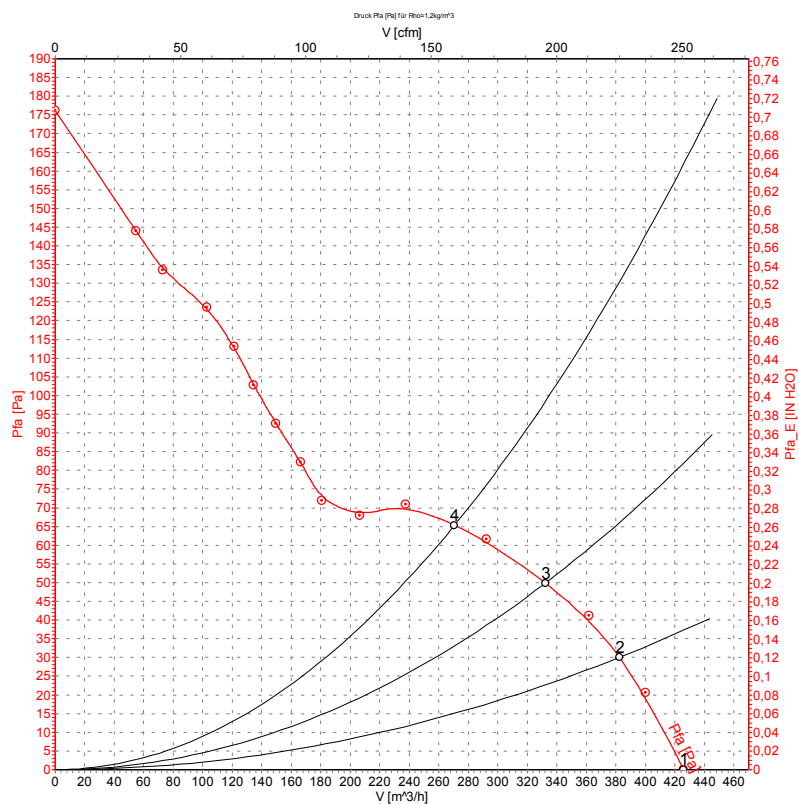


1	Direction of air flow "V"
2	Blade terminal 2.8 x 0.5 mm

## Connection screen



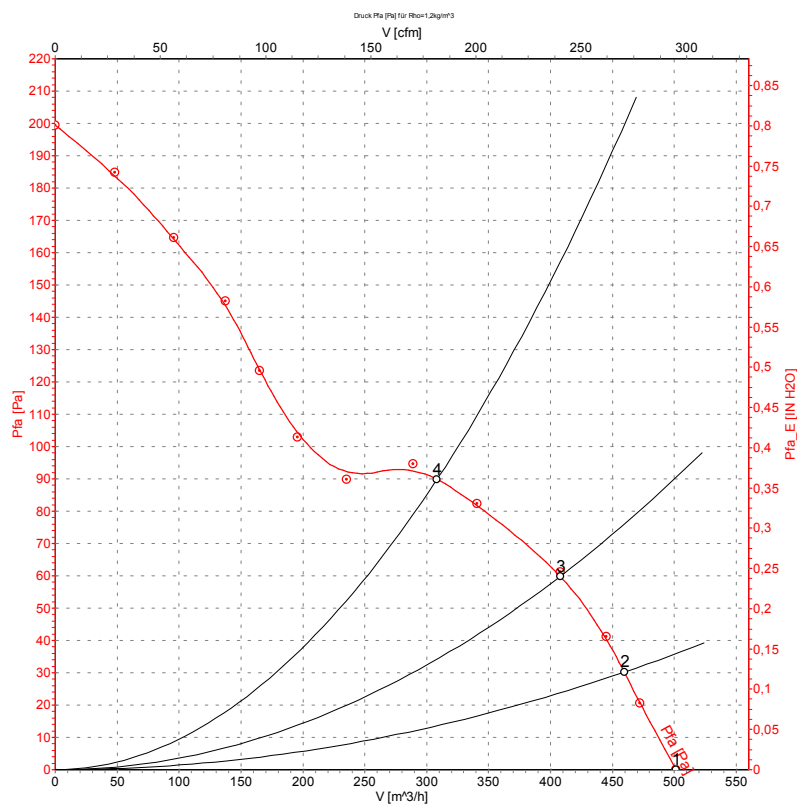
## Charts: Air flow 50 Hz



### Measured values

	U	f	n	P <sub>1</sub>	I	Ŷ	P <sub>fa</sub>
	[V]	[Hz]	[min <sup>-1</sup> ]	[W]	[A]	[m <sup>3</sup> /h]	[Pa]
1	115	50	2850	26	0.25	425	0
2	115	50	2790	27	0.25	380	30
3	115	50	2775	27	0.26	330	50
4	115	50	2765	28	0.26	270	65

## Charts: Air flow 60 Hz



Measurement: LU-31565

### Measured values

	U	f	n	P <sub>1</sub>	I	$\hat{V}$	P <sub>fa</sub>
	[V]	[Hz]	[min <sup>-1</sup> ]	[W]	[A]	[m <sup>3</sup> /h]	[Pa]
1	115	60	3300	29	0.26	500	0
2	115	60	3230	32	0.27	460	30
3	115	60	3200	33	0.28	410	60
4	115	60	3165	34	0.29	310	90