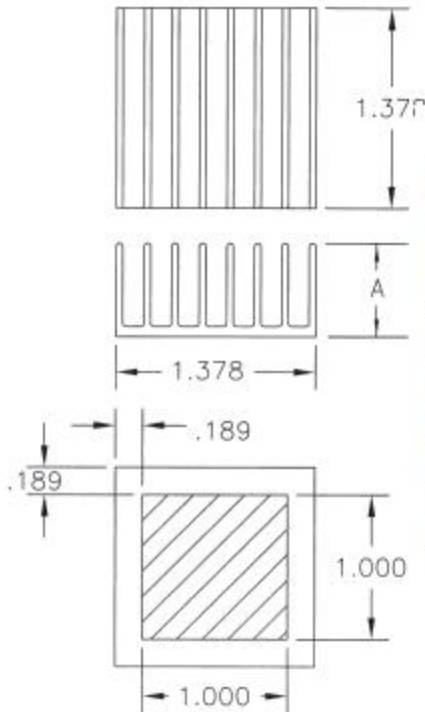


wakefield-vette

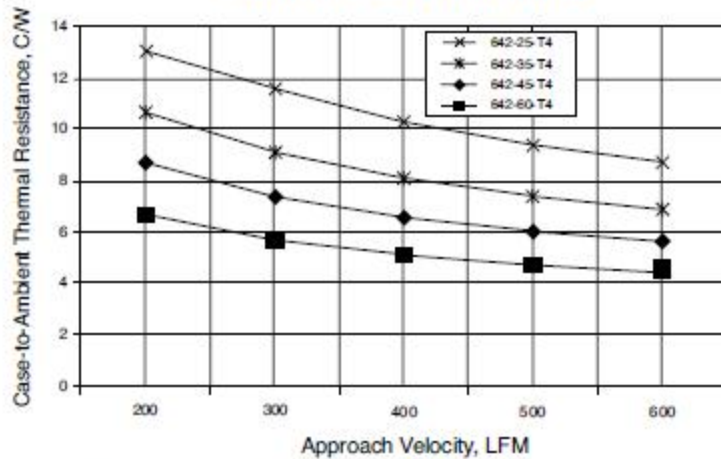
642-25AB	1.378 (35)	.250 (6.4)	35 mm BGA	.022 (9.99)
642-35AB	1.378 (35)	.350 (8.9)	35 mm BGA	.027 (12.26)
642-45AB	1.378 (35)	.450 (11.4)	35 mm BGA	.031 (14.07)
642-60AB	1.378 (35)	.600 (15.2)	35 mm BGA	.039 (17.71)

MECHANICAL DIMENSIONS

642 SERIES



642 THERMAL PERFORMANCE



Performance shown is with T4 thermal adhesive applied.

Dimensions: in. (mm)