

**Honeywell**

SMALL PRECISION  
LIMIT SWITCH

CATALOGUE LISTING  
924CE SERIES

CHART I

MAX FREE LENGTH	FREE POS'N (F.P.)	OPERATING FORCE MAX		MAX SAFE POS'N (M.S.P)	OVER-TRAVEL MIN (O.T)	MAKE TO BREAK DIST (M)	BREAK TO MAKE DIST (M)	P.T. MAX (P.T.)	ISSUE	SWITCH TYPE
		KG.F.	NEWTONS							
59	17.1 ±0.4	2.3	22.5	13.1	1		2±0.5	2.2	5	924CE1-S
					0.5	0.7±0.5	4	5	924CE1-T	
				13.1			2.2	5	924CE1-Y	
72	29.9 ±0.4	2.3	22.5	25.9	1		2±0.5	2.2	5	924CE2-S
					0.5	0.7±0.5	4	5	924CE2-T	
				25.9			2.2	5	924CE2-Y	
72	29.9 ±0.4	2.3	22.5	25.9	1		2±0.5	2.2	5	924CE3-S
					0.5	0.7±0.5	4	5	924CE3-T	
				25.9			2.2	5	924CE3-Y	
86	43.9 ±0.4	2.3	22.5	39.9	1		2±0.5	2.2	5	924CE28-S
					0.5	0.7±0.5	4	5	924CE28-T	
				39.9			2.2	5	924CE28-Y	
86	43.9 ±0.4	2.3	22.5	39.9	1		2±0.5	2.2	5	924CE29-S
					0.5	0.7±0.5	4	5	924CE29-T	
				39.9			2.2	5	924CE29-Y	
78	35.7 ±0.4	2.6	25.5	31.7	1		2±0.5	2.2	5	924CE31-S
					0.5	0.7±0.5	4	5	924CE31-T	
				31.7			2.2	5	924CE31-Y	
78	35.7 ±0.4	2.6	25.5	31.7	1		2±0.5	2.2	5	924CE55-S
					0.5	0.7±0.5	4	5	924CE55-T	
				31.7			2.2	5	924CE55-Y	

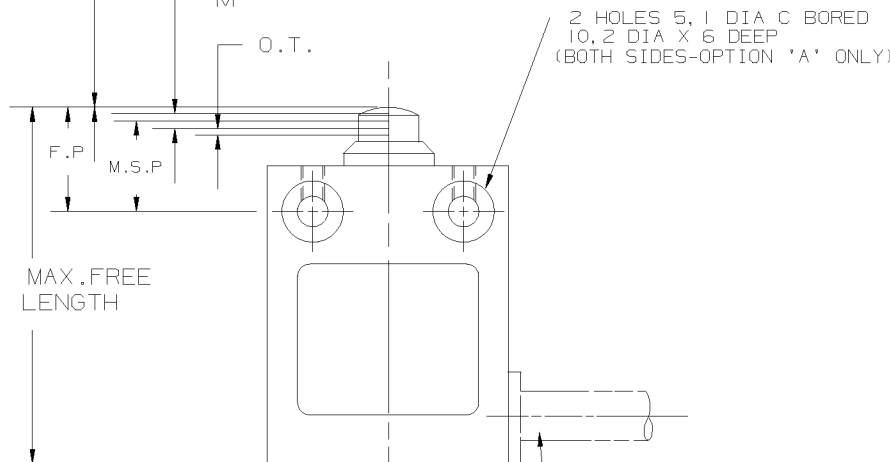
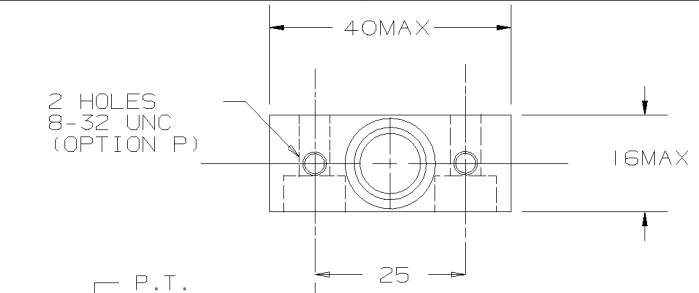
924CE SERIES CHART I

REPLACES

DRAWING

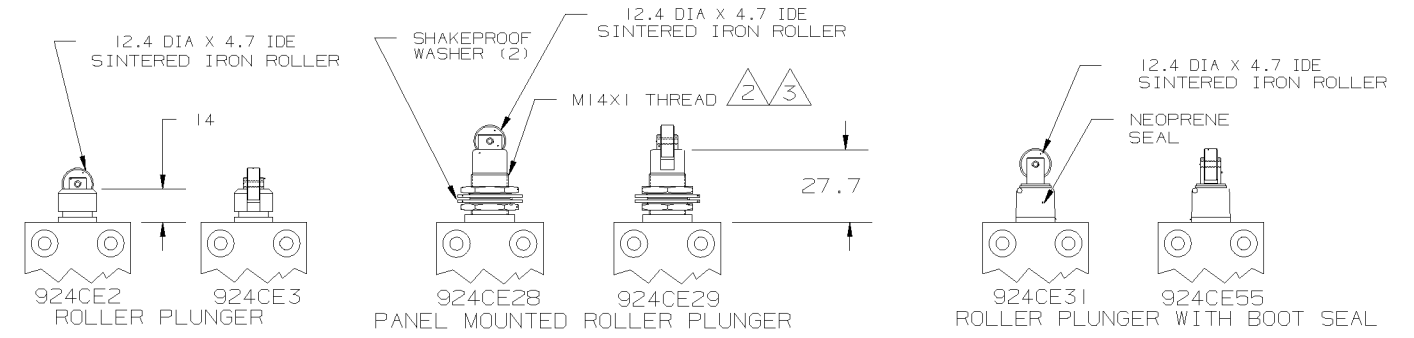
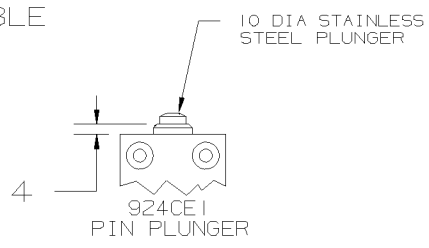
RELEASE NUMBER

ISSUE



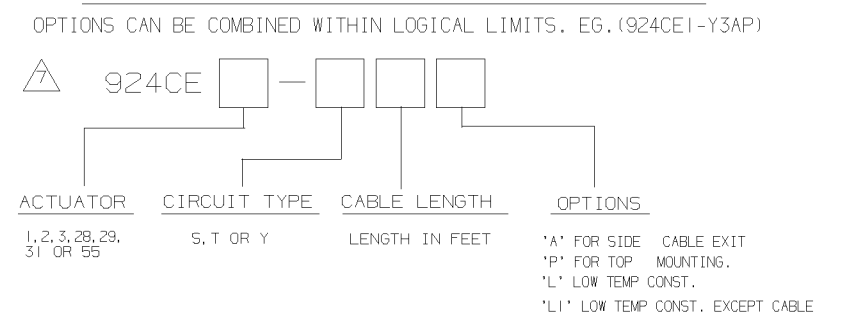
SIDE EXIT CABLE

CABLE (FOR TYPE SEE TABLE)



ACTUATORS

CATALOGUE LISTING CONVENTION



REVISIONS

6	MS11030	
7	MS11185	
8	CNI4484	31.1.90 ML
9	CNI6516	
23.8.95	RA	
10	CO-000206	
1.12.97	ML	

CHECK

TRACED

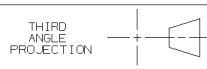
NOTES

- 1 : DIE-CAST HOUSING FINISHED IN RED PAINT
- 2 : SWITCH MOUNTS THROUGH A 14.5 DIA HOLE
- 3 : MAXIMUM PANEL THICKNESS = 4.2
- 4 : THE MINIMUM PLUNGER TRAVEL PAST BREAK FOR A SAFE CONTACT GAP IS 1.5MM (S & Y ONLY)
- 5 : TEMPERATURE RANGE :-  
STANDARD CONSTRUCTION : 0°C to +70°C  
LOW TEMP. CONSTRUCTION : -40°C to +70°C
- 6 : LOW TEMP. CABLE SILICONE SHEATHED
- 7 : ALL LOGICAL LISTINGS ARE IEC 947-5-1 APPROVED.

CIRCUIT TYPE		ELECTRICAL RATING		CIRCUIT DIAGRAM		CABLE	
S	BREAK BEFORE MAKE	10A-250 VAC 1/3 HP-125/250 VAC		BLACK ———— RED ———— GREEN WHITE ———— WHITE ————	5 X 18 AWG SJTO (UL APPROVED)		
T	MAKE BEFORE BREAK		IEC 947-5-1 EN60947-5-1 AC15 B300 DC13 R300	[Circuit Diagram]		[Cable]	
Y	SINGLE THROW NORMALLY CLOSED	10A-250 VAC 1/3 HP-125/250 VAC	LR15775	BLACK ———— RED ———— GREEN [Circuit Diagram]	3 X 18 AWG SJTO (UL/CSA APPROVED)		

DIMENSIONS ARE IN (MM)

THE COPYRIGHT OF THIS DRAWING IS THE PROPERTY OF HONEYWELL LTD. THE DRAWING IS SUPPLIED IN CONFIDENCE AND MUST NOT BE USED FOR ANY PURPOSE OTHER THAN THAT FOR WHICH IT IS SUPPLIED.



DRAWN P. CREECHAN