

MICRO SWITCH

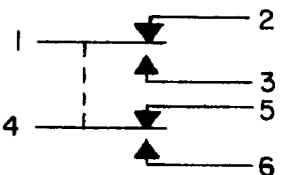
FREEMONT ILLINOIS U.S.A.
A DIVISION OF HONEYWELL

FED. MFG. CODE 91929

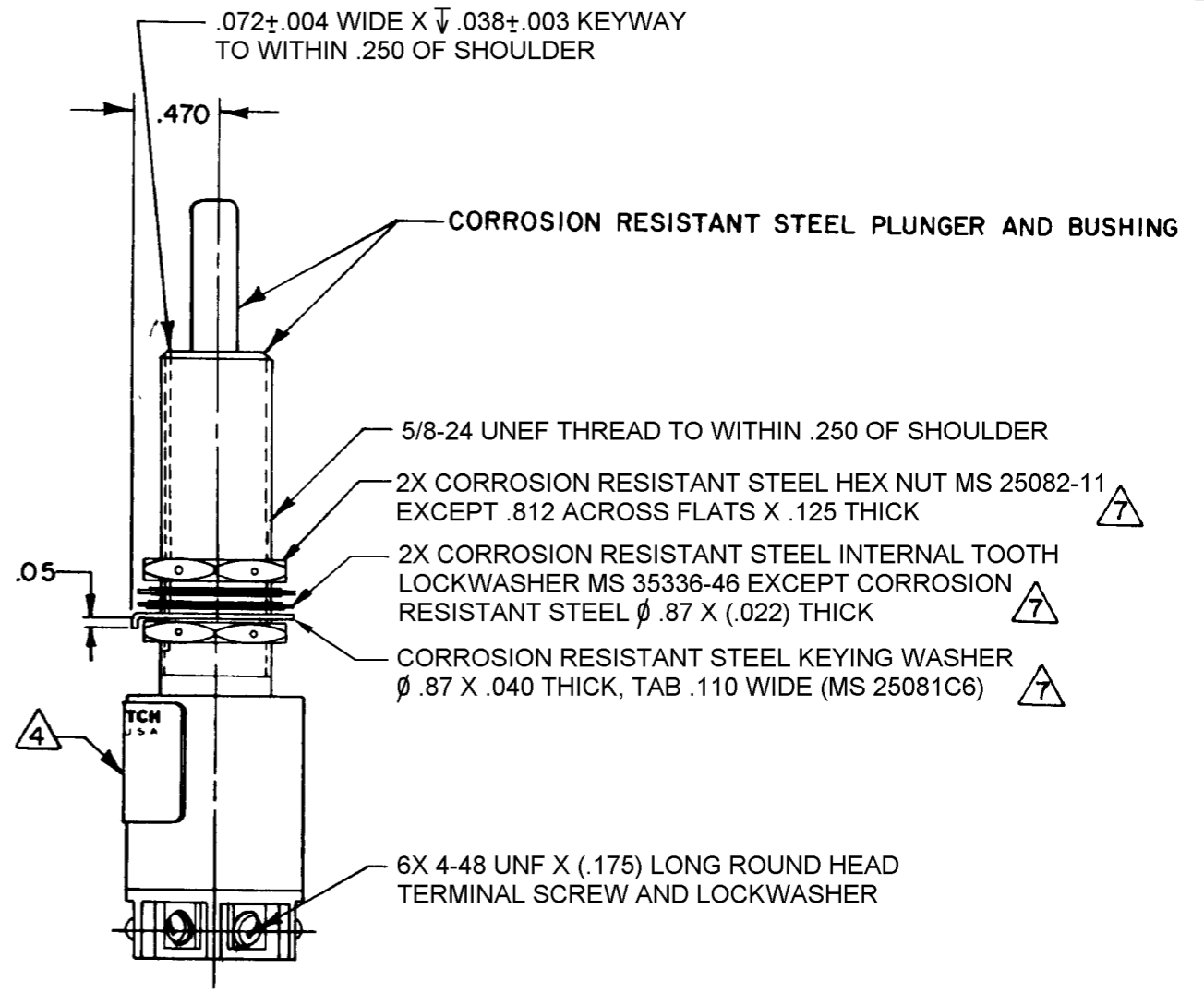
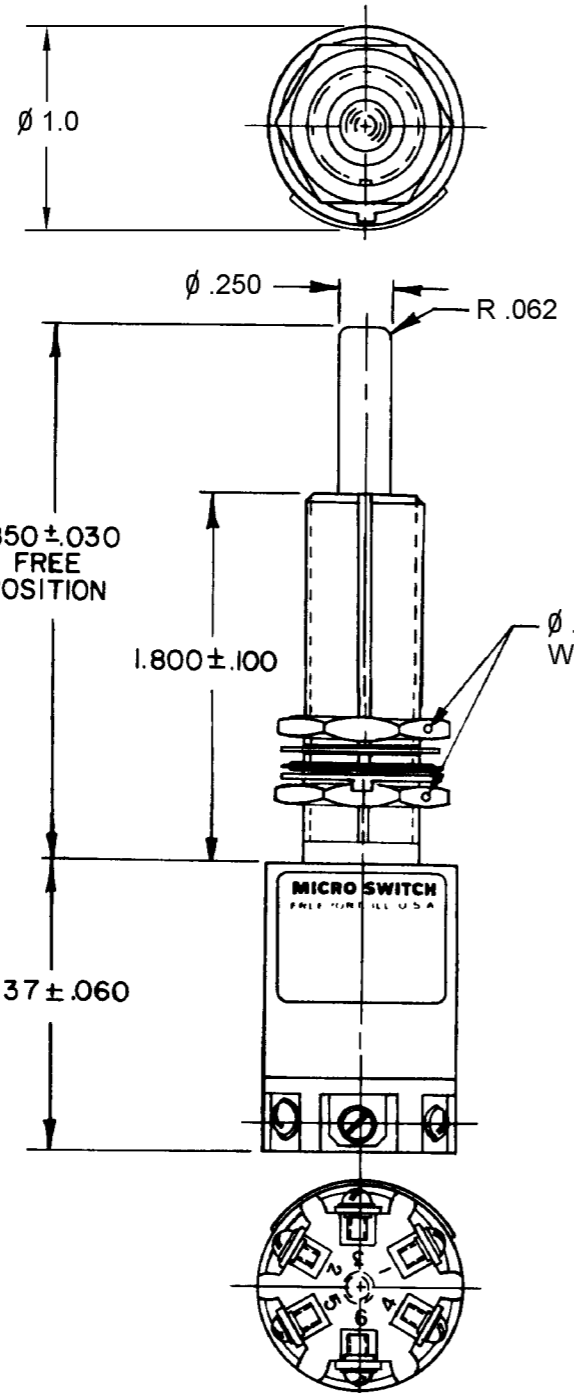
SWITCH - ENCLOSED

CATALOG LISTING

1EN194-S



CIRCUIT DIAGRAM



CATALOG LISTING
1EN194-S
PAGE 1 OF 1
RELEASE NO. SR-10794
REPLACES
ISSUE **M**
17
CHECK
REVISIONS
A CO44351 PART 7 WJM 30 MAR 79
B CO47573 J A P 5 AUG 80
C CO 54265-A TSK 19 DEC 83
D CO74101 DAW 10 FEB 93
E CO 77504-C DLT 27 JUL 94
F CO82106 G J W 19 FEB 96
G 206642 CSL 24 OCT 02
CHECK
CEB 17 APR 79
CHECK
WJM 30 MAR 79
DRAWN
FO-5285 1-A
RASTER

ANSI Y14.5M-1982 APPLIES

THIS DRAWING COVERS A PROPRIETARY ITEM AND IS THE PROPERTY OF MICRO SWITCH, A DIVISION OF HONEYWELL. THIS DRAWING IS NOT TO BE COPIED OR USED WITHOUT THE APPROVAL OF MICRO SWITCH		THIRD ANGLE PROJECTION	SCALE FULL
CHARACTERISTICS		ELECTRICAL DATA	DO NOT SCALE PRINT
OPERATING FORCE	6-12 LB	CONTACT ARRANGEMENT	TOLERANCES
FULL OVERTRAVEL FORCE	20 LB MAX	SPDT (2)	APPLY TO DESIGN UNITS. CONVERSIONS ARE ONLY FOR REFERENCE. UNLESS NOTED, TOLERANCES ARE:
RELEASE FORCE	4 LB MIN	LOAD	NO PLACES .001
PRETRAVEL	.015-.040	28 VDC	ONE PLACE .001
DIFFERENTIAL TRAVEL	.020 MAX	SEA LEVEL	TWO PLACES .0005
TOTAL TRAVEL	.900 MIN	50,000 FT.	THREE PLACES .00005
		RES	ANGLES
		IND	SI METRIC
		MOTOR	US CUSTOMARY
			P&M MATERIAL-COMMERCIAL STANDARD MICRO SWITCH STANDARDS APPLY
			DIMENSIONS ARE TO BE MET BEFORE PROTECTIVE COATINGS ARE APPLIED
			WEIGHT 4.0 OZ MAX

- NOTES
- CORROSION RESISTANT STEEL ENCLOSURE
 - SWITCH SEALED PER MIL-PRF-8805 SYMBOL 4
 - COINCIDENCE OF OPERATING AND RELEASING POINTS: .010 OF PLUNGER TRAVEL
 - CIRCUIT DIAGRAM, CAT. LIST., DATE CODE, AND CUST. PART NO. 79F908004-3 ARE SHOWN ON NAMEPLATE
 - TERMINAL IDENTIFICATION IS SHOWN ON BOTTOM OF SWITCH
 - THIS DESIGN IS FOR INLINE ACTUATION
 - HARDWARE MAY BE PACKAGED UNASSEMBLED PER MIL-PRF-8805