

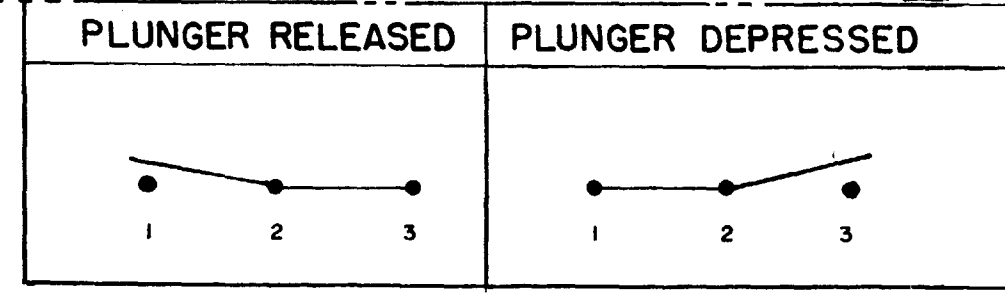
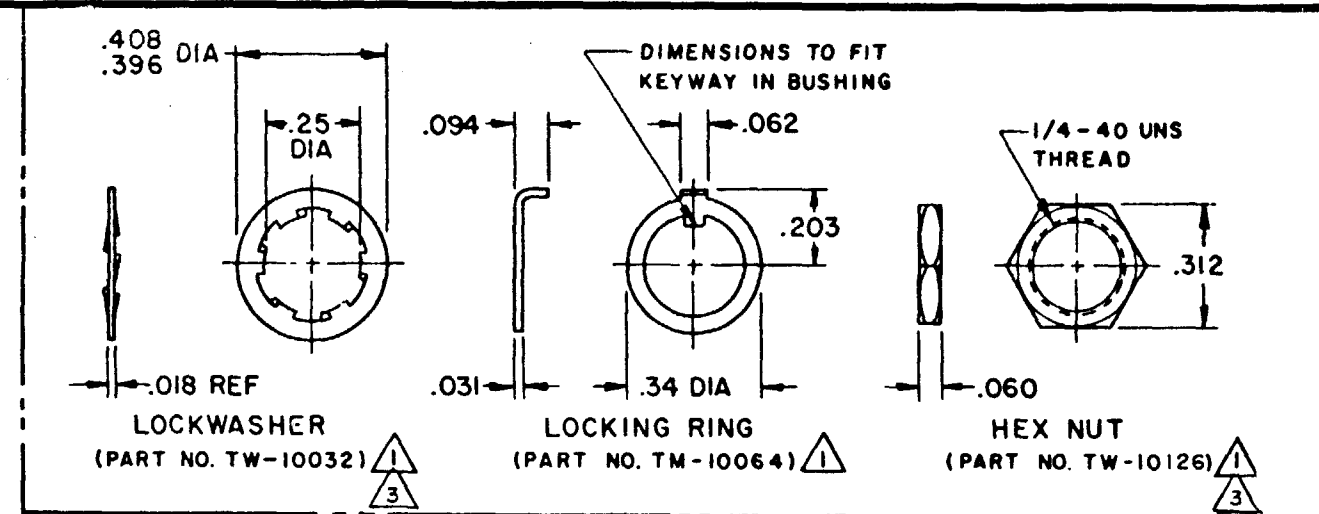
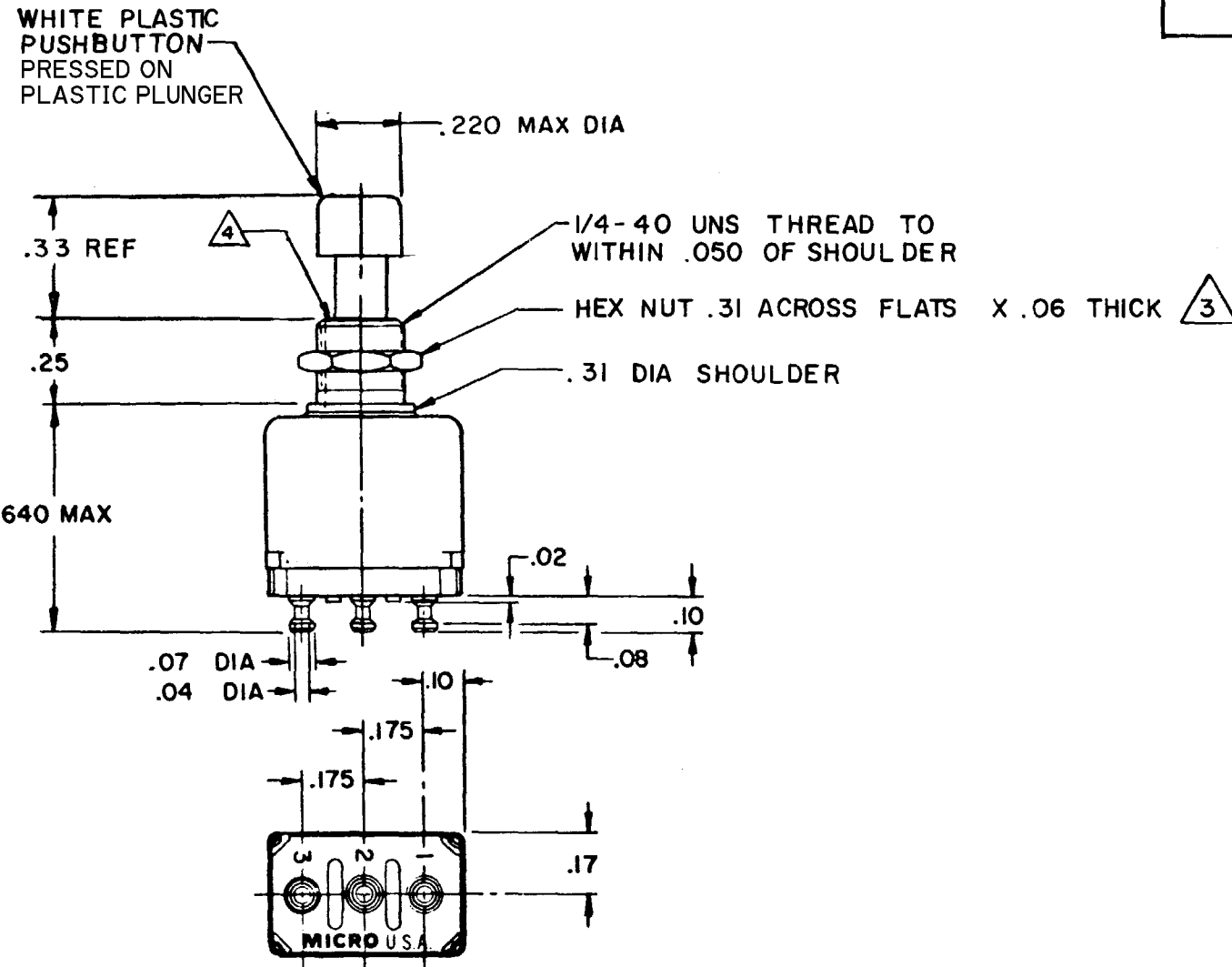
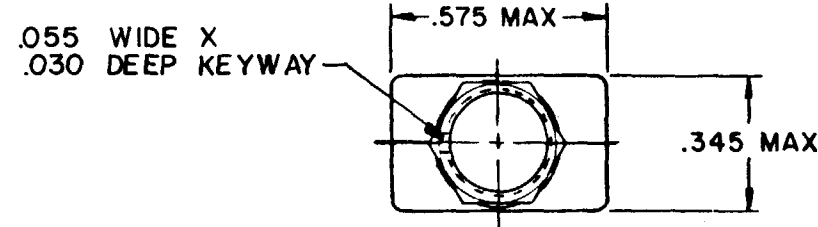
MICRO SWITCH

FREEPORT, ILLINOIS, U.S.A.
A DIVISION OF HONEYWELL

FED. MFG. CODE 91929

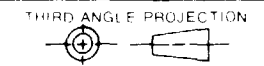
SWITCH - PUSHBUTTON

CATALOG LISTING
15 PB1



M 15 PB1
 DRAWING NUMBER
 ISSUE 14
 REVISIONS
 A C047480 G J W 24 MAR 80
 B C059236 J A P 27 MAR 86
 C C060532 TSK 18 NOV 86
 D C061252 J A P 12 MAR 87
 E C062939 TSK 24 FEB 88
 F C067868 SAV 9 JUL 90
 G C083294 DLT 16 APR 97
 FORMTEK FO-52851-A DRAWN
 G J W 24 MAR 80
 CHECK C E B
 RELEASE NO. PR-396
 REPLACES

THIS DRAWING COVERS A PROPRIETARY ITEM AND IS THE PROPERTY OF MICRO SWITCH, A DIVISION OF HONEYWELL. THIS DRAWING IS NOT TO BE COPIED OR USED WITHOUT THE APPROVAL OF MICRO SWITCH.



SCALE 2 : 1
DO NOT SCALE PRINT

CHARACTERISTICS
 OPERATING FORCE ----- 12 OZ APPROX
 TOTAL TRAVEL ----- .150 APPROX

ELECTRICAL DATA
 CONTACT ARRANGEMENT
 SPDT MOMENTARY

TOLERANCES			
APPLY TO DESIGN UNITS. CONVERSIONS ARE ONLY FOR REFERENCE. UNLESS NOTED, TOLERANCES ARE ±			
DIM.	TOL.	DIM.	TOL.
mm	mm/in	in	mm/in
NO PLACES	X	17.04	X X
ONE PLACE	X,X	0.47/016	X X X
TWO PLACES	X,XX	0.157/006	X X X X
THREE PLACES	X,XXX		X X X X X
ANGLES			

DESIGN UNITS SI METRIC US CUSTOMARY

RAW MATERIAL—COMMERCIAL STANDARD
 MICRO SWITCH STANDARDS APPLY
 DIMENSIONS ARE TO BE MET BEFORE
 PROTECTIVE COATINGS ARE APPLIED

115 VAC OR 30 VDC
 RESISTIVE ----- 5 AMP
 INDUCTIVE ----- 2 AMP
 LAMP ----- 1 AMP
 AT 65,000 FT ALTITUDE

WEIGHT .014 LB MAX

CODE L117 5A-125 VAC

- NOTES
- 1 FURNISHED UNASSEMBLED
 - 2 TERMINALS ARE PLATED FOR SOLDERING
 - 3 MATTE NICKEL FINISH
 - 4 BRIGHT NICKEL PLATE FINISH
 - 5 RECOMMENDED FOR MANUAL OPERATION ONLY
 - 6 DATE CODE, CAT. LISTING, & TERMINAL IDENT IS MARKED ON SIDE OF SWITCH