

MINI[®] BLADE FUSE RATED 32V



**Also available:
MINI[®] Sn Fuse
(tin plated)**



Specifications

Interrupting Rating:	1000A @ 32 VDC
Voltage Rating:	32 VDC
Operating Temperature Range:	-40°C to +125°C (Sn=-40°C to +105°C)
Terminals:	Ag plated zinc alloy
Housing Material:	PA66
Complies with:	Meets SAE J2077 ISO 8820-3 UL 248 Special Purpose Fuses (Sn Fuse not UL recognized)

Ordering Information

Part Number	Package Size
0297xxx.WXNV	3000
0297xxx.U	500
0297xxx.H	100
0297xxx.L	50
MINI[®] Sn Fuse	
0297xxx.WXT	3000

Description

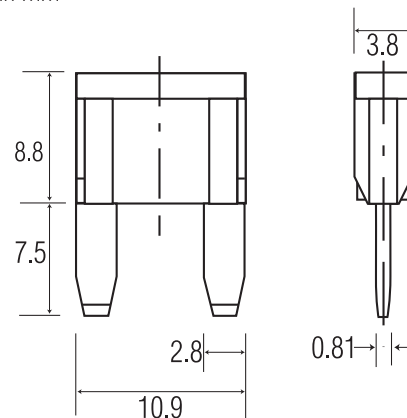
The MINI[®] Fuse is the standard for vehicle circuit protection. Its miniature design meets the need for more circuits to be protected while utilizing less space, and its ability to cope with high temperatures in adverse environments makes the MINI[®] Fuse of recommended choice for protection.

Time-Current Characteristics

% of Rating	Opening Time Min / Max (s)
110	360,000 s / -
135	0.75 s / 600 s
200	0.15 s / 5 s
350	0.080 s / 0.250 s
600	0.030 s / 0.100 s

Dimensions

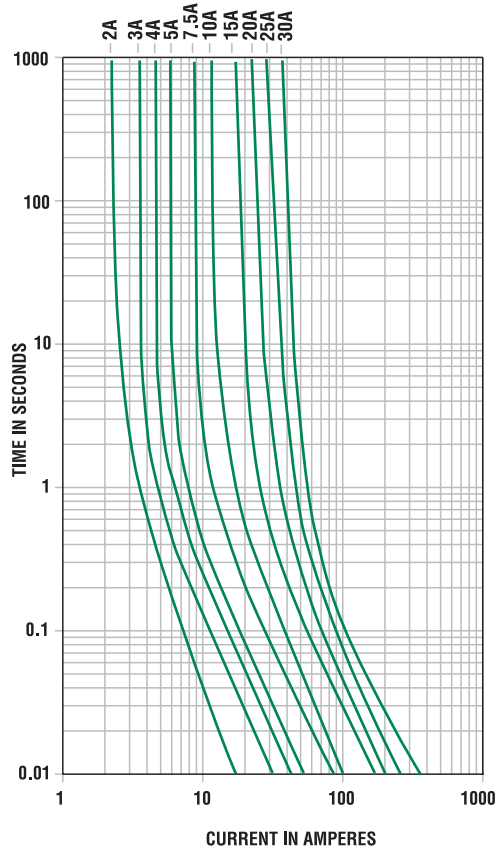
Dimensions in mm



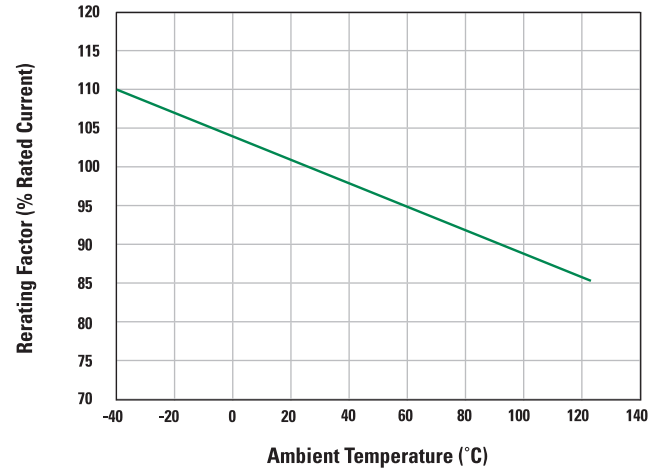
MINI[®] BLADE FUSE RATED 32V



Time-Current Characteristic Curves



Temperature Derating Curve



Ratings

Part Number	Current Rating	Housing Material Color	Typ. Voltage Drop	Cold Resistance	I ² t
0297002_	2 A	Grey	171 mV	55.60 mΩ	2.8 A ² s
0297003_	3 A	Purple	153 mV	33.75 mΩ	9.4 A ² s
0297004_	4 A	Pink	121 mV	23.48 mΩ	17 A ² s
0297005_	5 A	Brown	129 mV	17.75 mΩ	25 A ² s
029707.5_	7.5 A	Dark Brown	135 mV	10.85 mΩ	68 A ² s
0297010_	10 A	Red	108 mV	7.42 mΩ	93 A ² s
0297015_	15 A	Blue	98 mV	4.58 mΩ	270 A ² s
0297020_	20 A	Yellow	96 mV	3.21 mΩ	380 A ² s
0297025_	25 A	White	86 mV	2.36 mΩ	625 A ² s
0297030_	30 A	Green	87 mV	1.85 mΩ	1130 A ² s