

Axial Lead & Cartridge Fuses

5x20 mm > Time-Lag > 215 Series

215 Series, 5x20 mm, Time-Lag (Slo-Blo®) Fuse



Agency Approvals

Agency	Agency File Number	Ampere Range
	Cartridge Certificates: NBK080205-E10480A NBK250702-E10480E NBK100408-JP1021A	1A – 5A 6.3A – 15A 16A – 20A
	Leaded Certificates: NBK080205-E10480B NBK250702-E10480F NBK100408-JP1021B	1A – 5A 6.3A – 15A 16A – 20A
	Certificates: 2005010207145714	1A – 6.3A
	Certificates: SU05001– 2011 SU05001– 2012	1A – 3.15A 4A – 10A
	Recognised File: E10480	125mA – 20A
	File: 029862 Acc. Class: LR1422 – 30	500mA – 12A
	License: 1112132 902193 1117976 1200154 1200155	125mA, 160mA 200mA – 800mA, 8A, 10A 1A - 6.3A 12A *15A – *20A
	License: 40013521	200mA – 8A *10A
	License: 40016610	*12A
	License: KM41462	200mA – 10A
	Certificate: CQC07012021808	8A – 10A
	Certificate: J50258578	16A/20A
		125mA – 20A

* Approved for cartridge versions only

Description

5x20mm Time-Lag surge withstand ceramic body cartridge fuse designed to IEC specification

Features

- Designed to International (IEC) Standards for use globally
- High breaking capacity
- Meet the IEC 60127-2, Sheet 5 specification for Time-Lag fuses
- RoHS compliant and lead-free

Applications

Used as supplementary protection in appliance or utilization equipment to provide individual protection for components or internal circuits.

Additional Information



Datasheet



Resources



Samples

Electrical Characteristics for Series

% of Ampere Rating	Ampere Rating	Opening Time
150%	125mA – 800mA	60 minutes, Minimum
	1A – 3.15A	60 minutes, Minimum
	4A – 6.3A	60 minutes, Minimum
	8A – 20A	30 minutes, Minimum
210%	125mA – 800mA	30 minutes, Maximum
	1A – 3.15A	30 minutes, Maximum
	4A – 6.3A	30 minutes, Maximum
	8A – 12A	30 minutes, Maximum
275%	125mA – 800mA	.25 sec. Min.; 80 secs. Max.
	1A – 3.15A	.75 sec. Min.; 80 secs. Max.
	4A – 6.3A	.75 sec. Min.; 80 secs. Max.
	8A – 20A	.75 sec. Min.; 80 secs. Max.
400%	125mA – 800mA	.05 sec., Min.; 5 secs. Max.
	1A – 3.15A	.095 sec., Min.; 5 secs. Max.
	4A – 6.3A	.150 sec., Min.; 5 secs. Max.
	8A – 20A	.150 sec., Min.; 5 secs. Max.
1000%	125mA – 800mA	.005 sec., Min.; .150 sec. Max.
	1A – 3.15A	.010 sec., Min.; .150 sec. Max.
	4A – 6.3A	.010 sec., Min.; .150 sec. Max.
	8A – 20A	.010 sec., Min.; .150 sec. Max.

Electrical Characteristic Specifications by Item

Amp Code	Amp Rating	Voltage Rating (V)	Interrupting Rating	Nominal Cold Resistance (Ohms)	Nominal Melting I²t (A² sec)	Maximum Voltage Drop at Rated Current (mV)	Maximum Power Dissipation at 1.5In (W)	Agency Approvals																		
								UL	VDE	CSA	IEC	RU	SE	CS	D'E	VDE	C&C	UL	CE							
.125	0.125	250	1500 A @ 250 VAC	11.4455	0.0330	2600	1.6												x						x	
.160	0.16	250		7.1000	0.0465	2400	1.6														x					x
.200	0.2	250		1.8400	0.340	2100	1.6	x														x	x	x		x
.250	0.25	250		1.2400	0.545	1500	1.6	x															x	x	x	x
.315	0.315	250		0.8800	0.975	1100	1.6	x																		x
.400	0.4	250		0.5825	1.325	1000	1.6	x																		x
.500	0.5	250		1.1675	0.420	850	1.6	x																		x
.630	0.63	250		0.7200	0.635	650	1.6	x																		x
.800	0.8	250		0.4675	0.975	500	1.6	x																		x
001.	1	250		0.1515	1.520	350	2.5	x	x	x	x	x	x	x	x	x	x								x	
1.25	1.25	250		0.1074	3.200	300	2.5	x	x	x	x	x	x	x	x	x									x	
01.6	1.6	250		0.0707	6.830	200	2.5	x	x	x	x	x	x	x	x	x									x	
002.	2	250		0.0566	11.680	190	2.5	x	x	x	x	x	x	x	x	x									x	
02.5	2.5	250		0.0386	22.290	180	2.5	x	x	x	x	x	x	x	x	x									x	
3.15	3.15	250		0.0283	43.255	140	4	x	x	x	x	x	x	x	x	x									x	
004.	4	250		0.0185	46.960	100	4	x	x	x	x	x	x	x	x	x									x	
005.	5	250		0.0153	66.095	100	4	x	x	x	x	x	x	x	x	x									x	
06.3	6.3	250		0.0108	128.750	100	4	x	x	x	x	x	x	x	x	x									x	
008.	8	250		0.0092	209.880	100	4	x	x																	x
010.	10	250		0.0066	333.565	100	4	x	x																	x
012.	12	250		0.0061	515.500	100	4																			x
015.	15	250		0.0033	1237.0	N/A**	N/A**																			
016.	16	250		0.0031	1408.0	N/A**	N/A**																			
020.	20	250		0.0023	2600.0	N/A**	N/A**																			

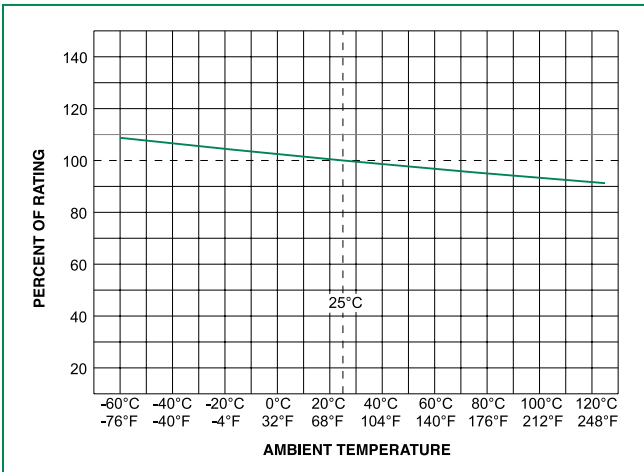
X* Approval for cartridge versions only

N/A** - Please contact Littelfuse for details on these parameters

1A to 2A have an IR : 100A@500VAC, 4A to 6-3A have the IR : 100A@305 VAC and 1000A@72VDC

I²t test at 10x rated current.

Temperature Derating Curve

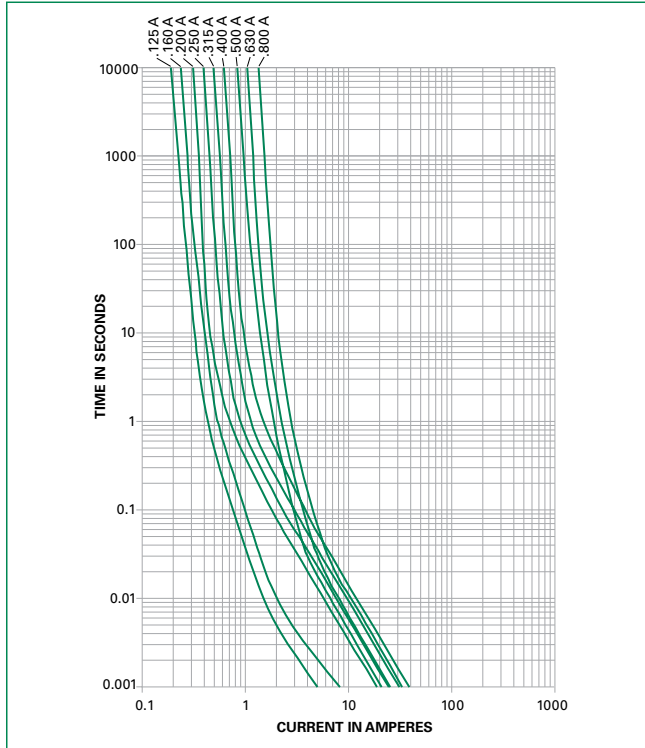


Product Characteristics

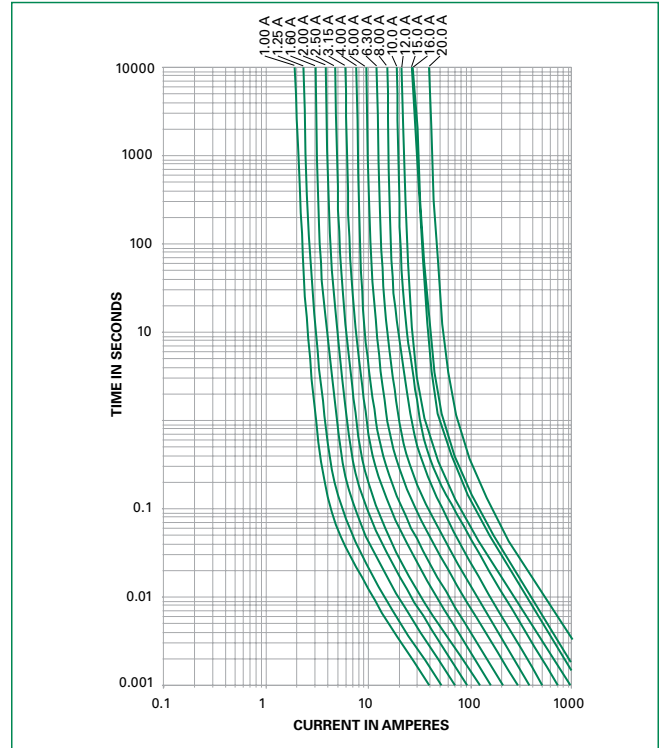
Materials	Body: Ceramic Cap: Nickel-plated Brass Leads: Tin-plated Copper
Terminal Strength	MIL-STD-202G, Method 211A, Test Condition A
Solderability	Reference IEC 60127 Second Edition 2003-01 Annex A
Product Marking	Cap 1: Brand logo, current and voltage ratings Cap 2: Agency approval markings
Operating Temperature	-55°C to +125°C
Thermal Shock	MIL-STD-202G, Method 107G, Test Condition B (5 cycles, -65°C to +125°C)
Vibration	MIL-STD-202G, Method 201A
Humidity	MIL-STD-202G, Method 103B, Test Condition A (High RH (95%) and elevated temp (40°C) for 240 hours)
Salt Spray	MIL-STD-202G, Method 101D, Test Condition B

Average Time Current Curves

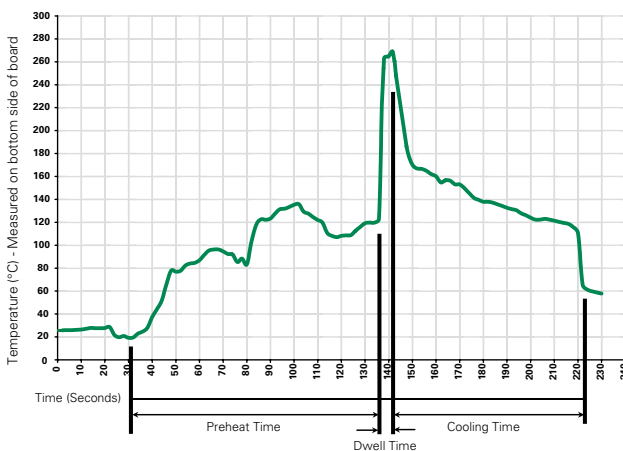
T-C Curves for 125mA to 800mA only



T-C Curves for 1A to 20A only



Soldering Parameters - Wave Soldering



Recommended Process Parameters:

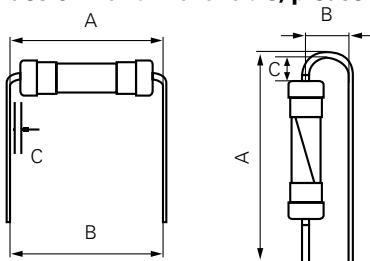
Wave Parameter	Lead-Free Recommendation
Preheat: (Depends on Flux Activation Temperature) (Typical Industry Recommendation)	
Temperature Minimum:	100° C
Temperature Maximum:	150° C
Preheat Time:	60-180 seconds
Solder Pot Temperature:	260° C Maximum
Solder Dwell Time:	2-5 seconds

Recommended Hand-Solder Parameters:

Solder Iron Temperature: 350° C +/- 5° C
 Heating Time: 5 seconds max.

Note: These devices are not recommended for IR or Convection Reflow process.

Different values of A and B available, please contact the Littelfuse sales representative in your region:



For the pigtailed fuse, please follow the recommendations below for axial lead forming and mounting into PCB:

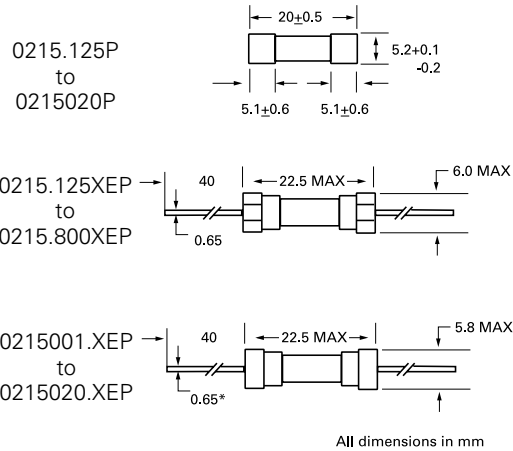
Lead forming:

The distance C between cap flat surface and axial lead shall be greater than 1.0 mm.

PCB mounting:

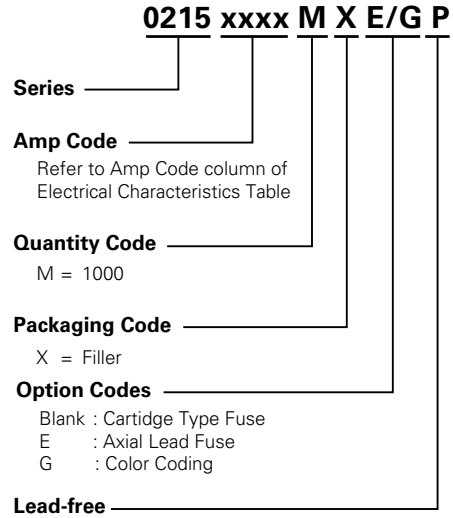
The distance between PCB and fuse cap is recommended to be a minimum of 1.5 mm.

Dimensions



* Ratings above 6.3 A have 0.8 mm diameter lead;
ratings above 12 A have 1.2 mm diameter lead

Part Numbering System



Packaging

Packaging Option	Packaging Specification	Quantity	Quantity & Packaging Code	Taping Width
215 Series				
Bulk	N/A	1000	MX	N/A
Bulk	N/A	1000	MXE	N/A
Reel and Tape	N/A	1000	MRET1	T1=53mm (2.087")
Bulk and Color Coding	N/A	1000	MXG	N/A
Bulk	N/A	1000	MXB	N/A
Bulk	N/A	100	HX	N/A