

DS Series Interlock Pushbutton Switches

NEW!



Features/Benefits

- Snap-in mounting
- Reliable snap action mechanism
- Latch or momentary
- RoHS compliant
- Halogen free material

Typical Applications

- Interlock switch
- Detection switch
- Circuit interrupt



Specifications

FUNCTION: Single pole double throw / Double pole double throw
MOUNTING TYPE: Snap in style

Electrical

ELECTRICAL LIFE: see ratings chart below
DIELECTRIC STRENGTH: 1500 V (50-60 Hz @ sea level)
INSULATION RESISTANCE: 100 M Ω min.
INITIAL CONTACT RESISTANCE: 30 milli-ohms

Materials

HOUSING, COVER, ACTUATOR, KNOB: PA 66/6 halogen free, color white (UL94V-0)
NO & NC FIXED TERMINALS: Copper alloy
COMMON TERMINALS: Copper alloy, silver plate
CONTACTS: Silver alloy / F5 rating gold plated over silver alloy
RETURN SPRINGS: Stainless steel

Operating Environment

OPERATING TEMPERATURE: -40°C to +85°C

NOTE: Specifications and materials listed above are for switches with standard options. For information on specific and custom switches, please contact Customer Service.

Snap-acting

Build-A-Switch

To order, simply select desired option from each category and place in the appropriate box.

<p>Designation</p> <p>DS DS Series</p> <p>Number of Poles</p> <p>1 SPDT</p> <p>2 DPDT</p> <p>Rating</p> <p>F5 0.1 (0.05)A @ 125/250 V AC 50/60 Hz 50E3 0.1A G.P. @ 125/250 V AC 50/60 Hz 10E3</p> <p>D6 10 (4)A @125/250 V AC 50/60 Hz 50E3 10A G.P. @ 125 / 250 V AC 1/3HP @ 125/250 V AC 50/60 Hz 10E3</p>	<p>Actuator Style</p> <p>A Momentary, Short button</p> <p>B Momentary, Long button</p> <p>C Momentary/Pulled out button</p>	<p>Terminals</p> <p>Q1 4.8 x 0.5</p> <p>Q2 4.8 x 0.8</p> <p>Q3 6.3 x 0.8</p>	<p>Extended Electrical Life</p> <p>U 100,000 cycles contact Customer Service available in F5 rating only</p>
--	---	--	--

International Rating Symbols

10E3	Cycles 10,000
50E3	Cycles 50,000
10(4)	Current rating: First number represents resistive rating. Second number represents inductive (motor) rating
GP	General purpose rating UL1054



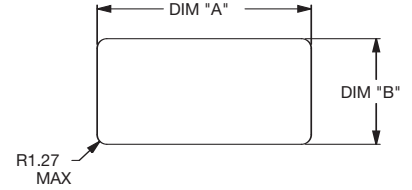
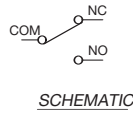
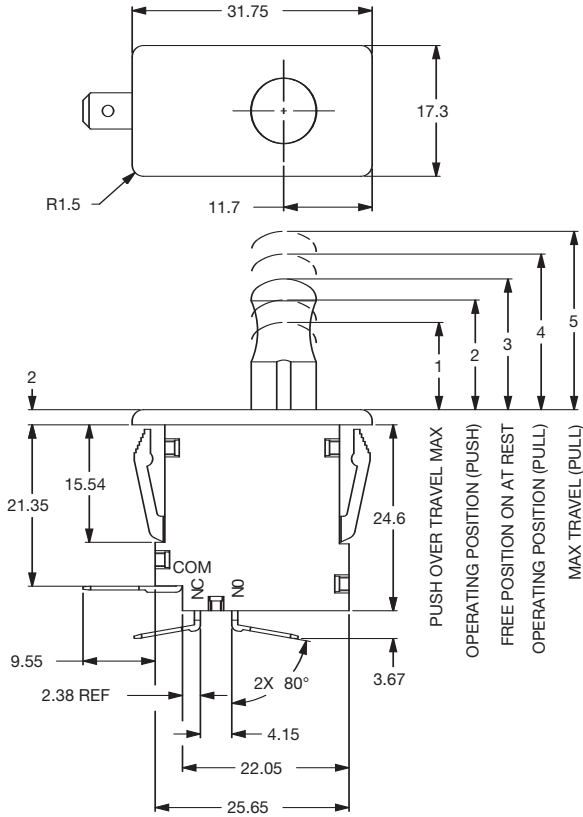
Dimensions are shown: mm
Specifications and dimensions subject to change

NEW!

DS Series Interlock Pushbutton Switches

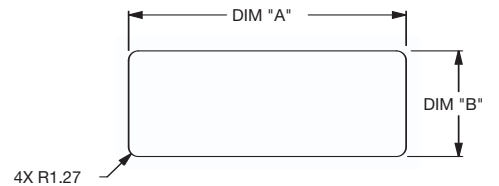
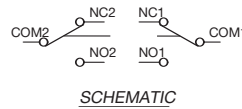
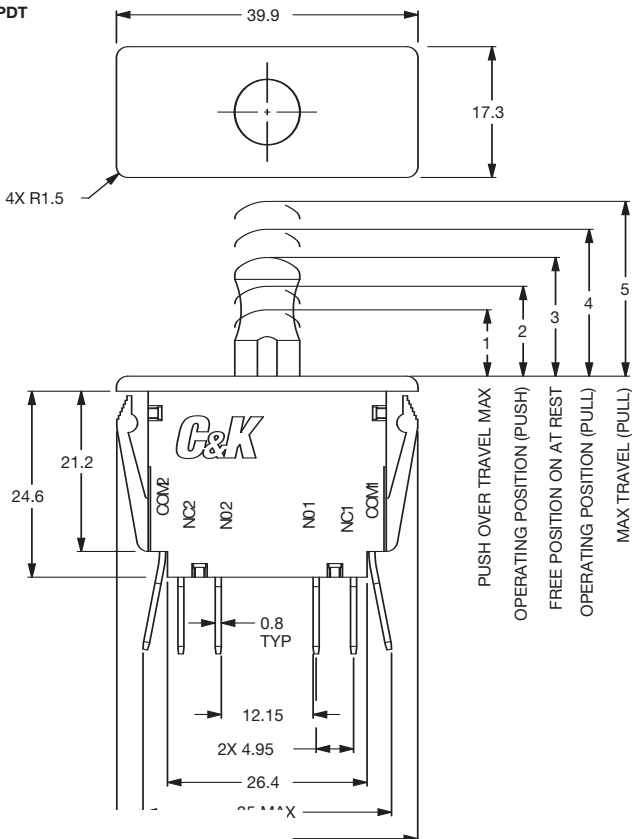
NUMBER OF POLES

1 SPDT



PANEL MOUNTING		
PANEL THICKNESS	DIM "A" mm	DIM "B" mm
1.14	28.32	13.97
2.54	28.58	13.97

2 DPDT



PANEL MOUNTING		
PANEL THICKNESS	DIM "A" mm	DIM "B" mm
1.14	36.70	13.97
2.54	36.96	13.97



Dimensions are shown: mm
 Specifications and dimensions subject to change



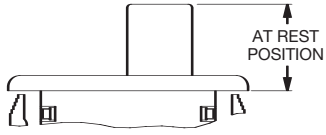
Snap-acting

DS Series Interlock Pushbutton Switches

NEW!

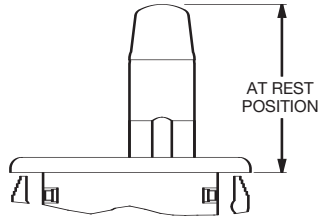
ACTUATOR STYLE / SPECIFICATIONS

A SHORT BUTTON



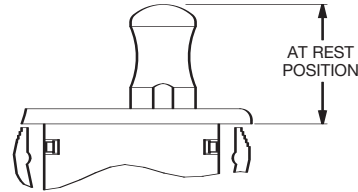
SHORT BUTTON

B LONG BUTTON

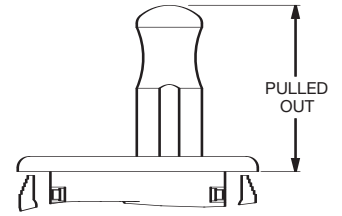


LONG BUTTON

C MOMENTARY/PULLED OUT



FREE POSITION

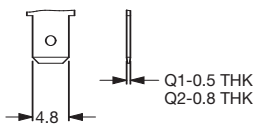


PULLED OUT POSITION

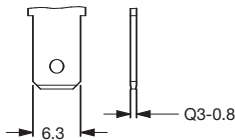
BUTTON STYLE	1	2	3	4	5	OPERATING FORCE	
	PUSH OVER TRAVEL MAX.	OPERATING POSITION	FREE POSITION AT REST	OPERATING POSITION PULL	OVER TRAVEL POSITION PULL MAX	PUSH	PULL
A	3.20	8.90 ± 1.25	11.45 ± 0.75	NA	NA	425 gf	
B	10.15	19.55 ± 1.25	22.25 ± 0.75	NA	NA	425 gf	
C	13.20	16.75 ± 1.25	19.30 ± 0.75	21.60 ± 1.25	24.90	385gf	475gf

TERMINALS

Q1 4.8 x 0.5
Q2 4.8 x 0.8



Q3 6.3 x 0.8



Dimensions are shown: mm
Specifications and dimensions subject to change

Snap-acting

