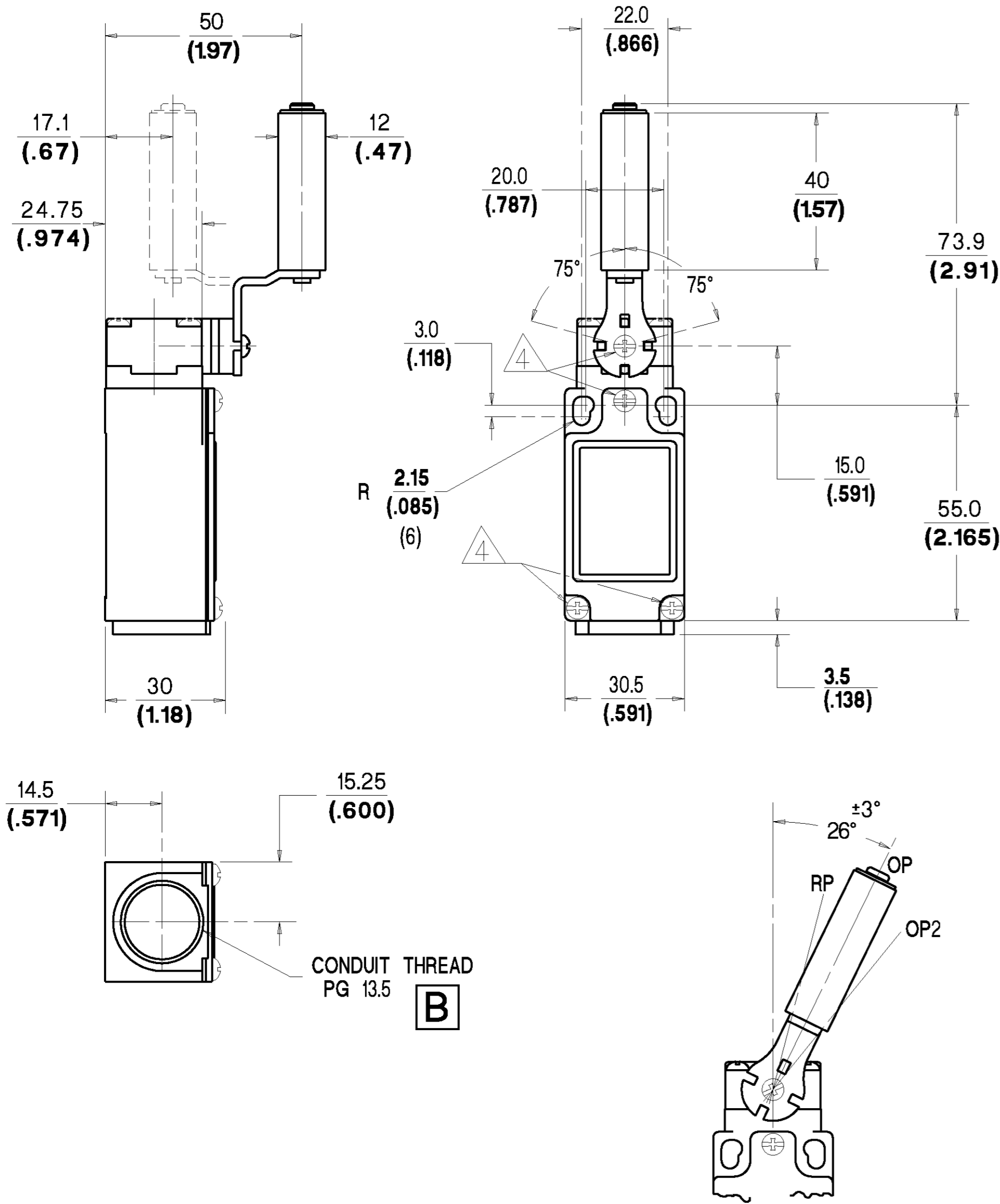


Honeywell

LIMIT SWITCH

CATALOGUE LISTING
GLS
CHART NO.
MTG-GL-211

FIG. 1

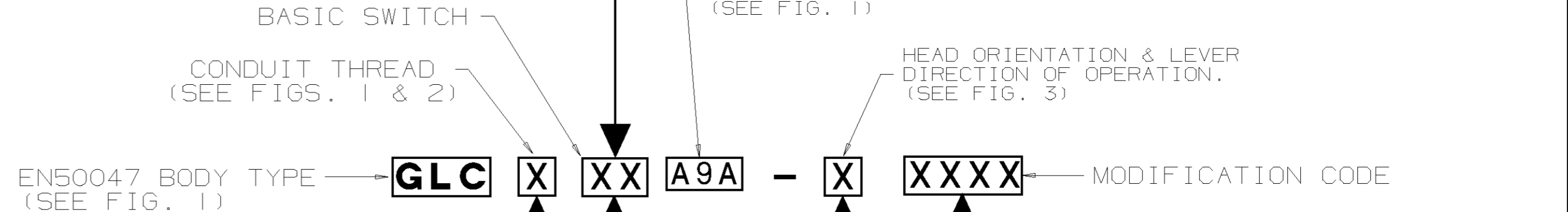
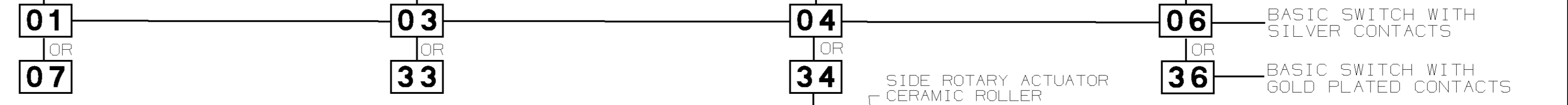


NO CHANGES CAN BE MADE TO THIS DRAWING WITHOUT JOINT NEWHOUSE/FREEPORT APPROVAL

NOTES:-

- ZINC DIECAST BODY AND HEAD WITH STEEL COVER. BODY AND COVER FINISHED IN MICRO SWITCH BLUE EPOXY PAINT. HEAD FINISHED IN BLACK EPOXY PAINT.
 - MINIMUM OPERATING VELOCITY (V_{min}) = 0.26 rad/s
MAXIMUM OPERATING VELOCITY (V_{max}) = 25 rad/s
MAXIMUM OPERATING FREQUENCY (F_{max}) = 250 OPS/MIN
 - FREE POSITION (FP), OPERATING POINT (OP), OVERTRAVEL (OT) AND PRETRAVEL (PT) ALL TO EN50047.
- ⚠️ MAXIMUM TIGHTENING TORQUE FOR FIXING SCREW = 0.5Nm (4.4in.LB)

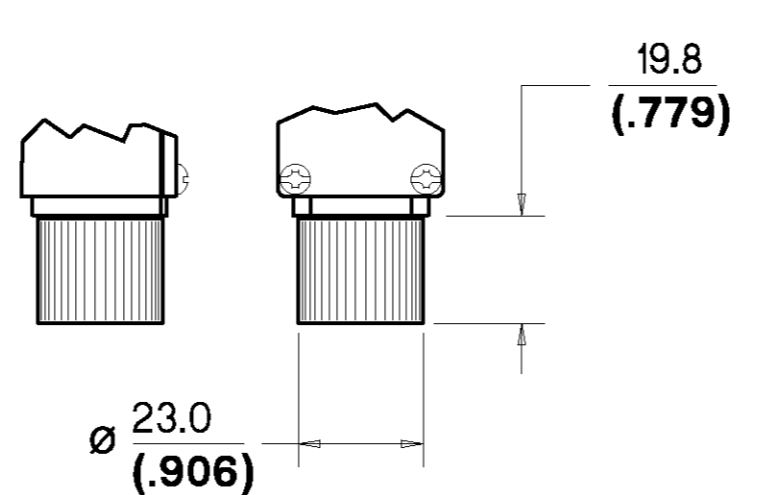
SNAP-ACTION CONTACTS 	SLOW-ACTION CONTACTS (BREAK BEFORE MAKE) 	SLOW-ACTION CONTACTS (MAKE BEFORE BREAK) 	SLOW-ACTION CONTACTS (2 NORMALLY CLOSED) 	CONTACT BLOCK DIAGRAM TERMINAL DESIGNATION TO EN 50013
				NOMINAL TRAVELS AND RELATED TERMINALS CONTACT CLOSED CONTACT OPEN * POSITIVE OPENING TO IEC 947-5-1-3
120 (l1)	110 (l0)	110 (l0)	110 (l0)	NORMAL OPERATING TORQUE MAX Nmm (in.lbs)
140 (l3)	160 (l5)	170 (l6)	150 (l4)	MAXIMUM DISCONNECT TORQUE Nmm (in.lbs)



- EN50047 BODY TYPE → **GLC** **X** **XX** **A9A** - **X** **XXXX** → MODIFICATION CODE
- 1/2" NPT X 14 CONDUIT THREAD ADAPTER → **A** **01**
- PG 13.5 CONDUIT THREAD → **B** **03**
- M20 X 1.5 CONDUIT THREAD → **C** **04**
- PF 1/2 CONDUIT THREAD → **D** **06** **07** **33** **34** **36**
- 1** **2** **3** **4** **5** → CABLE 5 WIRE, WITH GROUND. LAST CHARACTER IS CABLE LENGTH l = lMTR. CABLE LENGTHS ARE FROM 1 TO 9 METRES. ONLY AVAILABLE WITH CONDUIT THREAD TYPE 'B'.
- Q01** → CONNECTOR .4 PIN MICRO. ONLY AVAILABLE WITH CONDUIT THREAD TYPE 'B'.
- Q02** → CONNECTOR .5 PIN MICRO TWIN KEYWAY. ONLY AVAILABLE WITH CONDUIT THREAD TYPE 'B'.
- Q03** → CONNECTOR .4 PIN MINI. ONLY AVAILABLE WITH CONDUIT THREAD TYPE 'B'.
- Q04** → CONNECTOR .5 PIN MINI. ONLY AVAILABLE WITH CONDUIT THREAD TYPE 'B'.
- Q07** → CONNECTOR .5 PIN MICRO. ONLY AVAILABLE WITH CONDUIT THREAD TYPE 'B'.

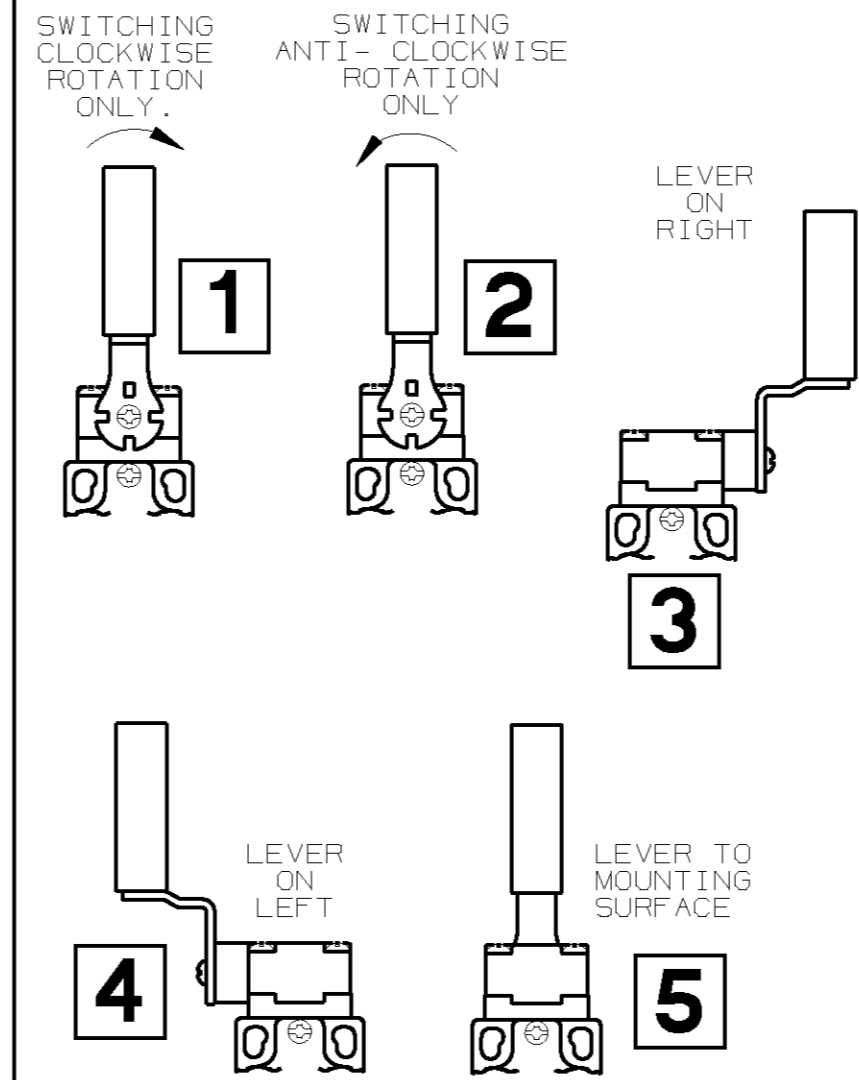
NOTE:- ANY STANDARD LISTING WITH SUFFIX 'RS' OR 'FE' IS PERMITTED.

FIG. 2



1/2" NPT X 14 CONDUIT THREAD ADAPTER

FIG. 3



BLANK = LEVER TO FRONT, SWITCHING IN BOTH DIRECTIONS.

NOTE: FOR CONNECTION DIAGRAMS AND ADDITIONAL ELECTRICAL, ENVIRONMENTAL & DIMENSIONAL INFORMATION SEE DRAWING GL-49212.

MTG-GL-211	REPLACES	AO18-238
	DRAWING NUMBER	
	ISSUE	6
	RELEASE NUMBER	
REVISIONS		
2	7/96	AO18-262
3	12/96	AO18-293
4	7/97	CO-000083
5	8/97	CO-000106
6	CO/395	
1	WEIR 6/98	
DRAWN	M. LOCH	2/96
CHECK	I. WEIR	2/96
DESIGN	J. BOYD	2/96
AUTHOR	P. TRICKETT	2/96

STANDARD SILVER CONTACTS		GOLD PLATED CONTACTS		ENVIRONMENTAL		APPROVALS
ELECTRICAL RATING		ELECTRICAL RATING		ENVIRONMENTAL		APPROVALS
AC	DC	I _{th} = 10A		IP66 NEMA 1, 4, 12, 13		UL IEC 947-5-1 EN50047
A300 AC15 U _e I _e	O300 DC13 U _e I _e	1V 10µA MIN. 50V 100mA MAX.		TEMP RANGE : -25°C TO 85°C -13°F TO 185°F STORAGE : -40°C TO 85°C -40°F TO 185°F		
VOLTS AMPS 120 6 240 3	VOLTS AMPS 125 0.55 250 0.27			SHOCK : 50G PER IEC 68-2-27 VIBRATION : 10G PER IEC 68-2-6		
THE COPYRIGHT OF THIS DRAWING IS THE PROPERTY OF HONEYWELL LTD. THE DRAWING IS SUPPLIED IN CONFIDENCE AND MUST NOT BE USED FOR ANY PURPOSE OTHER THAN THAT FOR WHICH IT IS SUPPLIED.						
SCALE		DIMENSIONS ARE IN		MODIFY ON CAD SYSTEM ONLY		
1:1		MM/INCHES.				