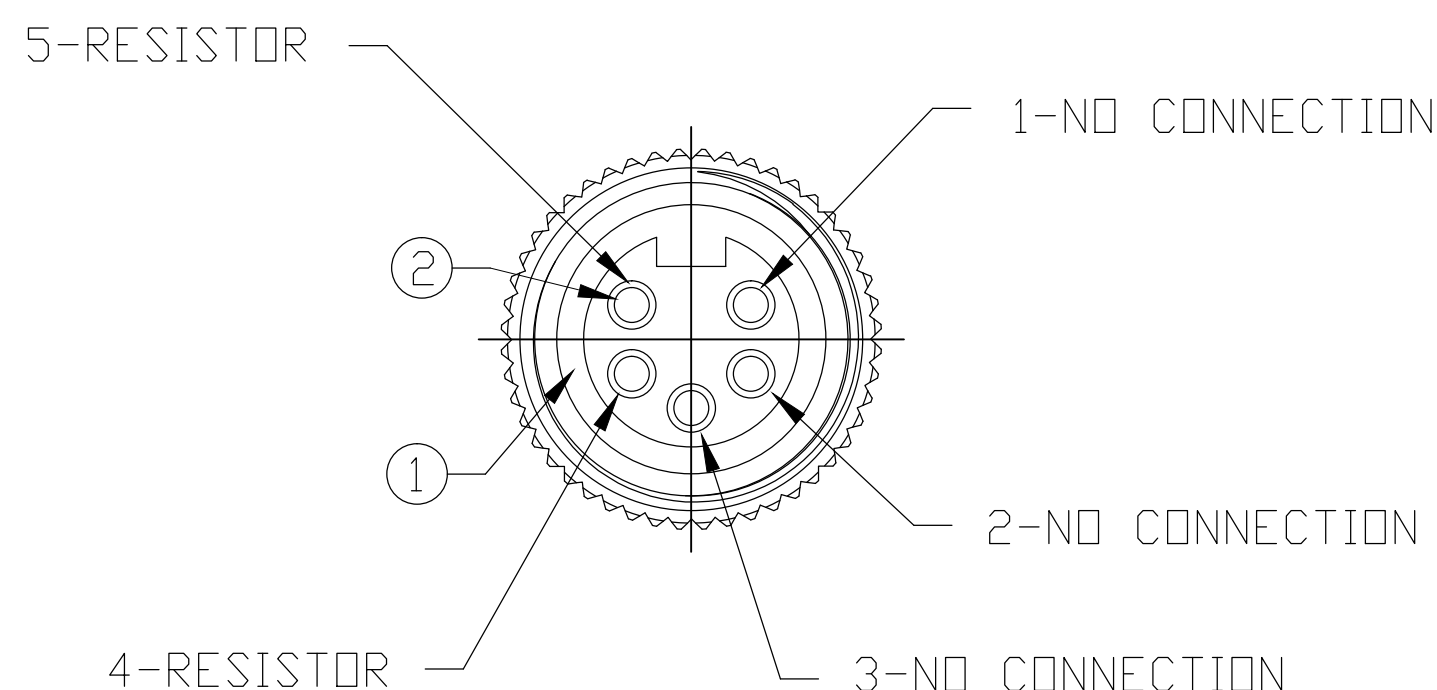
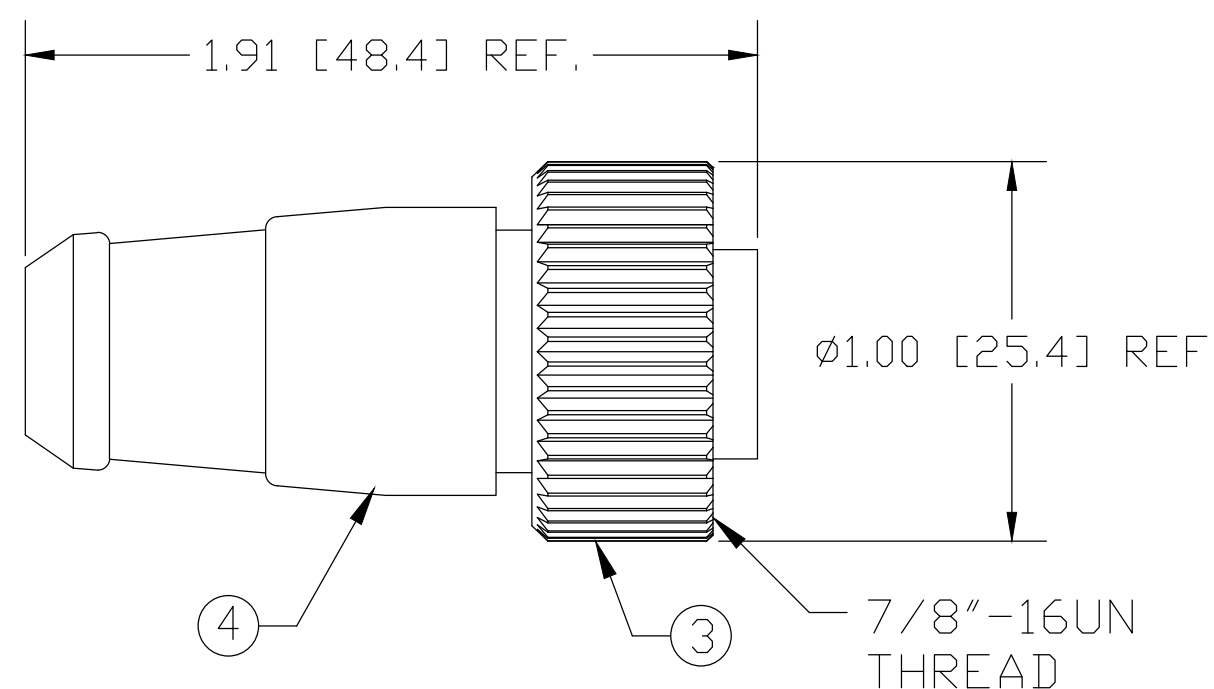
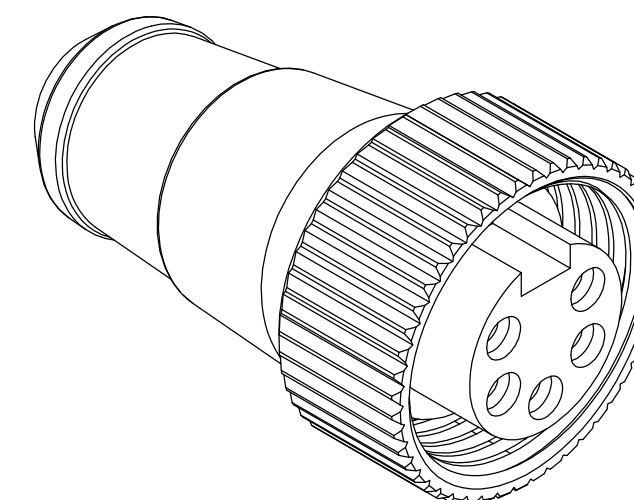


MATERIAL NUMBER

OLD PART NUMBER

130039-0376

DN150



VOLTAGE RATING	50 VAC/VDC
AMPERAGE RATING	8 AMPS
PROTECTION	IP67
OPERATING TEMPERATURE	0°C TO 60°C

ITEM	COMPONENT	MATERIAL	FINISH
1	INSERT	PVC	GRAY
2	CONTACT SOCKET	COPPER ALLOY	GOLD OVER NICKEL
3	COUPLNG NUT	ZINC DIE CAST	BLACK E-COATED
4	OVERMOLD	PVC	GRAY
	RESISTOR	121 OHM 1% METAL FILM 1/4 WATT	

CORRECT PINOUT  
 EC NO: WNA2011-0229  
 DRWN: LHARTMAN 2011/07/07  
 CH'KD: VOU  
 APPR: JFMURPHY

QUALITY SYMBOL	▼=0	GENERAL TOLERANCES (UNLESS SPECIFIED)	
	∇=0	mm	INCH
		4 PLACES	±--- ±---
		3 PLACES	±--- ±.005
		2 PLACES	±0.13 ±.010
		1 PLACE	±0.25 ±.020
		ANGULAR ±1/2°	
		DRAFT WHERE APPLICABLE MUST REMAIN WITHIN DIMENSIONS	

DIMENSION STYLE		SCALE	DESIGN UNITS	THIRD ANGLE PROJECTION
IN/MM		1:1	INCH	
DRAWN BY	DATE	TITLE		
LHARTMAN	2011/07/07	MINI-CHANGE TERMINATOR 5P FEMALE DEVICENET		
CHECKED BY	DATE	MOLEX INCORPORATED		
BWOODMAN	2009/08/28	SD-130039-014		
APPROVED BY	DATE	SHEET NO. 1 OF 1		
MATERIAL NO. SEE TABLE		THIS DRAWING CONTAINS INFORMATION THAT IS PROPRIETARY TO MOLEX INCORPORATED AND SHOULD NOT BE USED WITHOUT WRITTEN PERMISSION		