

THIS DRAWING COVERS A PROPRIETARY ITEM AND IS THE PROPERTY OF MICRO SWITCH, A DIVISION OF HONEYWELL. THIS DRAWING IS NOT TO BE COPIED OR USED WITHOUT THE APPROVAL OF MICRO SWITCH.

CATALOG LISTING
15PA90-5 SERIES CHART 1

PAGE 1 OF 1



ISSUE
6

REPLACES -

RELEASE NO. PR-9748

CHECK

REVISIONS

A 204410

TSW
15NOV01

CATALOG LISTING

15PA90-5W

15PA90-5BK

COLOR

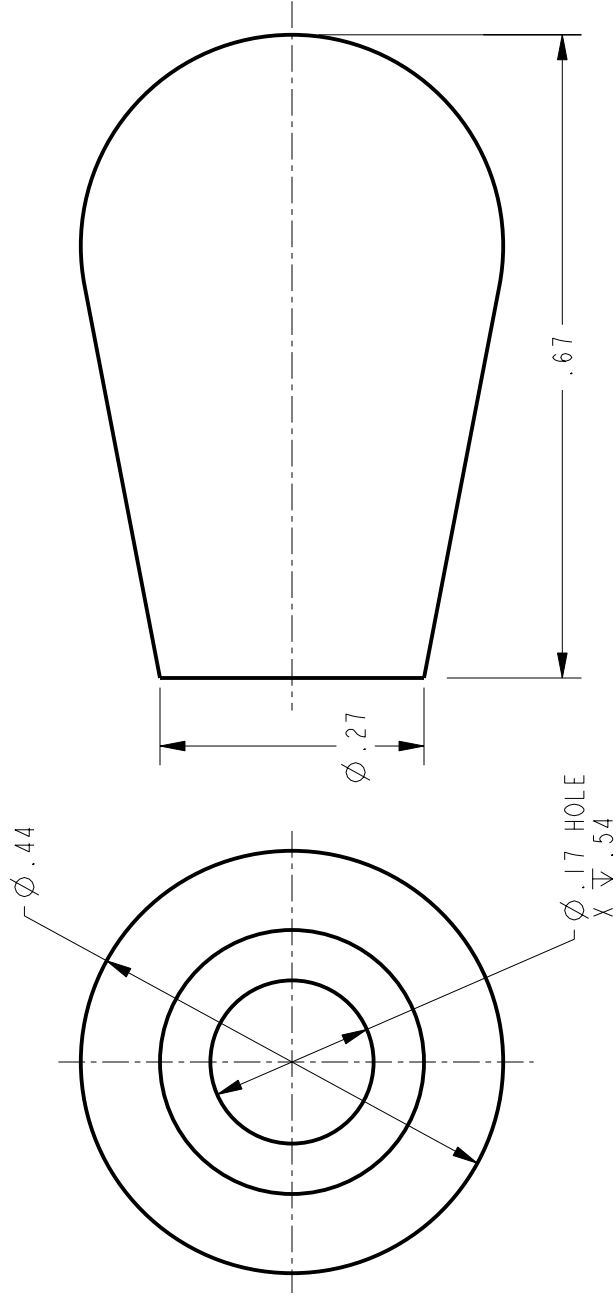
WHITE (RESILIENT)

BLACK (RESILIENT)

FOR USE ON

AT, TL, TS

AT, TL, TS



PTC/CAD 2D

DRAWN

TSM 15NOV01

CHECK

SAV

15NOV01

CHECK

THIRD ANGLE PROJECTION



SCALE 5 : 1

DO NOT SCALE PRINT

UNLESS OTHERWISE SPECIFIED TOLERANCES ARE

ONE PLACE (.0) ±.030

TWO PLACE (.00) ±.015

THREE PLACE (.000) ±.005

ANGLES †

WEIGHT -

ANSI Y14.5M-1982 APPLIES