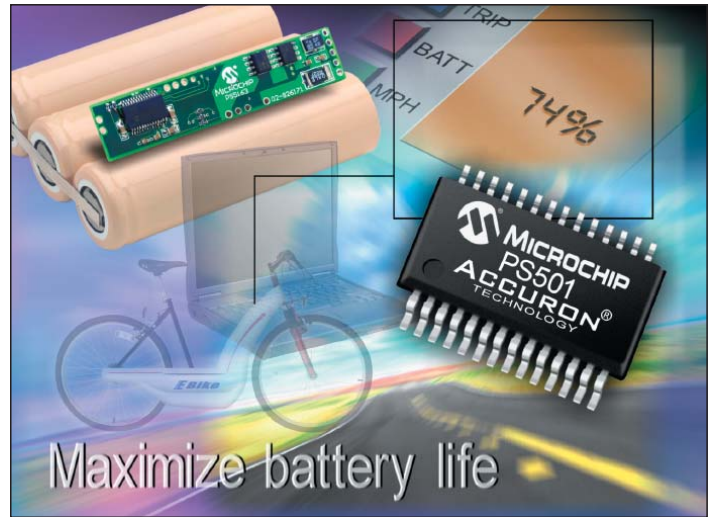
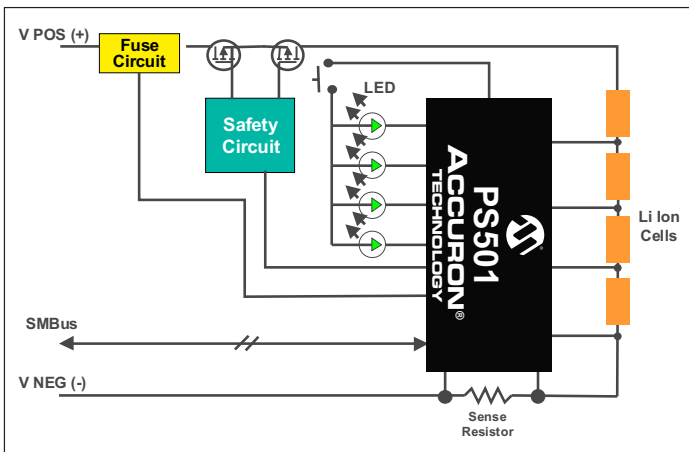


# The Microchip PS501 Battery Manager

The PS501 is a full-featured, SBS compliant battery manager that supports both 2-4 cell Li Ion/Li Polymer or 6-12 cell NiMH/NiCD battery packs. The PS501 incorporates the industry recognized PIC18F RISC microcontroller, 16 Kbytes of field reprogrammable Flash memory, 12 GPIO and a high resolution 16-bit A/D. To further optimize system design, the PS501 integrates a precision internal oscillator, temperature sensor and regulator. The PS501 implements Microchip's proprietary Accuron® technology, with advanced battery management algorithms and user customizable functionality, such as an LED-based State-Of-Charge display, charge control and safety for Lithium rechargeable chemistries. The resulting battery management solution provides the user with accurate State-Of-Charge, battery health and instantaneous battery status.



## PS501 Li Ion/Li Poly Application Block Diagram



## Features:

- Customizable battery algorithms and 3D cell models in 16 Kbytes Flash memory
- Learned battery parameters stored in 256 bytes of EEPROM
- Precise current, voltage and temperature measurement using an integrating 16-bit Sigma Delta A/D converter
- Integrated temperature sensor, voltage regulator and time base
- 12 GPIO for control of safety, charge control or LED SOC display
- Communication using fully compliant SBData v1.1 command set over SMBus two-wire interface

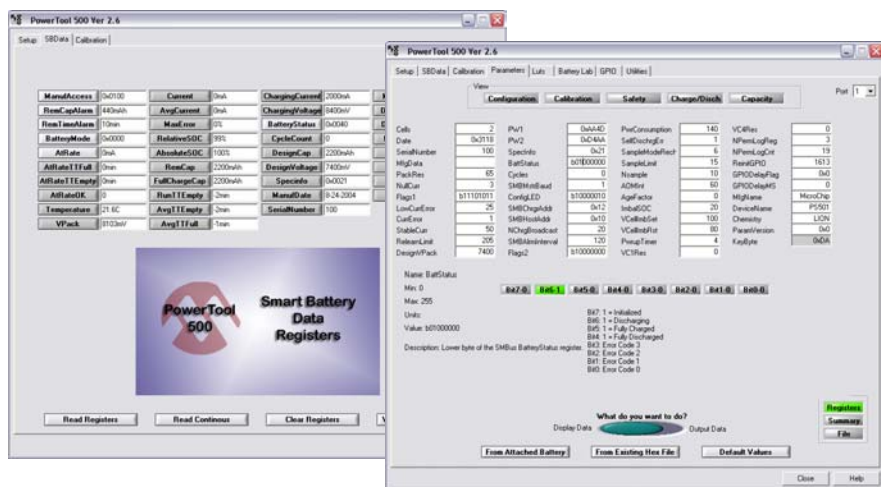
## Additional Information:

- Microchip's web site: [www.microchip.com](http://www.microchip.com)
- Microchip's PS501 Data Sheet, [Order No. DS21818](#)
- Microchip's PS5100 Data Sheet, [Order No. DS21903](#)
- Microchip's PS5162 Data Sheet, [Order No. DS21842](#)
- Microchip's PS5163 Data Sheet, [Order No. DS21851](#)
- Microchip's PS5164 Data Sheet, [Order No. DS21850](#)
- Microchip's PS051 PowerInfo™ 2 Configuration Interface Data Sheet, [Order No. DS21815](#)
- Microchip's PS052 PowerCal™ 2 Calibration Platform Data Sheet, [Order No. DS21817](#)
- Microchip's PS050 PowerTool™ 500 Development Software User's Guide, [Order No. DS21885](#)  
(PowerTool™ 500 may be referenced as PowerTool™ 2 in previous documents)

## Ordering Information

Product	Chemistry	Configuration	Description
PS501	Li Ion/Li Poly or NiMH/NiCD	2-4 cells in series or 6-12 cells in series	IC Single Chip Battery Manager
PS5100	NiMH or NiCD	6-12 cells in series	Battery Management Module without Safety
PS5162	Li Ion/Li Poly	2 cells in series	Battery Management Module w/ Safety
PS5163	Li Ion/Li Poly	3 cells in series	Battery Management Module w/ Safety
PS5164	Li Ion/Li Poly	4 cells in series	Battery Management Module w/ Safety
PS051	All	All	PowerInfo™ 2 Communication Board
PS052	All	All	PowerCal™ 2 Calibration Board
PS5100EV	NiMH or NiCD	6-12 cells in series	Evaluation Kit: Includes PS5100 Battery Management Module without Safety, PS051 PowerInfo™ 2 Communication Module, PS050 PowerTool™ 500 Software and Documentation
PS5162EV	Li Ion/Li Poly	2 cells in series	Evaluation Kit: Includes PS5162 Battery Management Module w/ Safety, PS051 PowerInfo™ 2 Communication Module, PS050 PowerTool™ 500 Software and Documentation
PS5163EV	Li Ion/Li Poly	3 cells in series	Evaluation Kit: Includes PS5163 Battery Management Module w/ Safety, PS051 PowerInfo™ 2 Communication Module, PS050 PowerTool™ 500 Software and Documentation
PS5164EV	Li Ion/Li Poly	4 cell in series	Evaluation Kit: Includes PS5164 Battery Management Module w/ Safety, PS051 PowerInfo™ 2 Communication Module, PS050 PowerTool™ 500 Software and Documentation

### PowerTool™ 500 Software



### PowerCal™ 2 Board



### PowerInfo™ 2 Board



**PowerTool 500 (PS050) software** – PowerTool 500 software is a Windows® based program that provides a comprehensive, user-friendly environment that simplifies both development and production of smart batteries.

**PowerInfo 2 (PS051) hardware** – Quick start RS-232 or USB to SMBus interface board enables complete setup and evaluation of ICs.

**PowerCal 2 (PS052) hardware** – Designed for calibration, programming and testing Microchip based smart batteries in the production environment.

#### Americas

Web Address: [www.microchip.com](http://www.microchip.com)  
 Tech. Support: <http://support.microchip.com>

Atlanta (770) 640-0034  
 Boston (978) 692-3848  
 Chicago (630) 285-0071  
 Dallas (972) 818-7423  
 Detroit (248) 538-2250  
 Kokomo (765) 864-8360  
 Los Angeles (949) 462-9523  
 San Jose (650) 215-1444  
 Toronto (905) 673-0699

#### Asia/Pacific

Australia 61-2-9868-6733  
 China – Beijing 86-10-8528-2100  
 China – Chengdu 86-28-8676-6200  
 China – Fuzhou 86-591-750-3506  
 China – Hong Kong SAR 852-2401-1200  
 China – Shanghai 86-21-6275-5700  
 China – Shenzhen 86-755-8290-1380  
 China – Shunde 86-757-2839-5507  
 China – Qingdao 86-532-502-7355  
 India – Bangalore 91-80-2229-0061  
 India – New Delhi 91-11-5160-8632  
 Japan 81-45-471-6166  
 Korea 82-2-554-7200  
 Singapore 65-6334-8870  
 Taiwan – Kaohsiung 886-7-536-4816  
 Taiwan – Taipei 886-2-2500-6610  
 Taiwan – Hsinchu City 886-3-572-9526

#### Europe

Austria 43-7242-2244-399  
 Denmark 45-4420-9895  
 France 33-1-69-53-63-20  
 Germany 49-89-627-144-0  
 Italy 39-0331-742611  
 Netherlands 31-416-690399  
 United Kingdom 44-118-921-5869

As of 08/24/04

Microchip Technology Inc. • 2355 W. Chandler Blvd. • Chandler, AZ 85224-6199 • (480) 792-7200 • FAX (480) 792-9210

Information subject to change. The Microchip name and logo, the Microchip logo, Accuron, dsPIC, KEELQ, microID, MPLAB, PIC, PICmicro, PICSTART, PRO MATE, PowerSmart, rPIC and SmartShunt are registered trademarks of Microchip Technology Inc. in the U.S.A. and other countries. AmpLab, FilterLab, MXDEV, MXLAB, PICMASTER, SEEVAL, SmartSensor and The Embedded Control Solutions Company are registered trademarks of Microchip Technology Inc. in the U.S.A. Analog-for-the-Digital Age, Application Maestro, dsPICDEM, dsPICDEM.net, dsPICworks, ECAN, ECONOMONITOR, FanSense, FlexROM, fuzzyLAB, In-Circuit Serial Programming, ICSP, ICEPIC, Migratable Memory, MPASM, MPLIB, MPLINK, MPSIM, PICDEM, PICDEM.net, PICLAB, PICtail, PowerCal, PowerInfo, PowerMate, PowerTool, rLAB, rPICDEM, Select Mode, Smart Serial, SmartTel and Total Endurance are trademarks of Microchip Technology Inc. in the U.S.A. and other countries. All other trademarks mentioned herein are property of their respective companies. © 2004, Microchip Technology Incorporated, Printed in the U.S.A., All Rights Reserved. 8/04 DS21888A

