

| REV | ECN NO | REVISIONS | DRN | CKD | APP | DATE |
|-----|--------|-------------|-----|-----|-----|------|
| A | | NEW RELEASE | KLJ | | | |

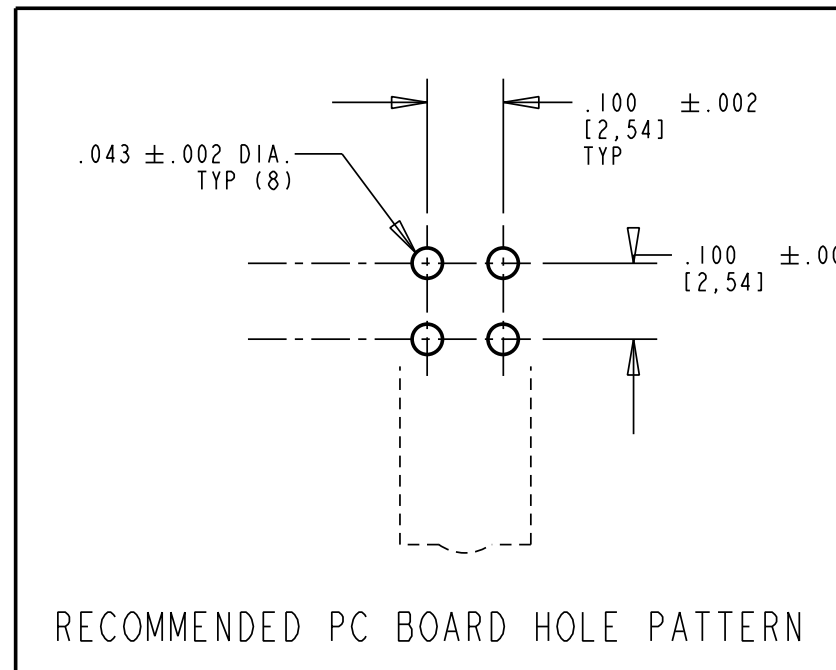
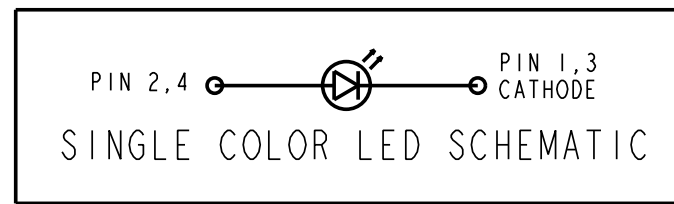
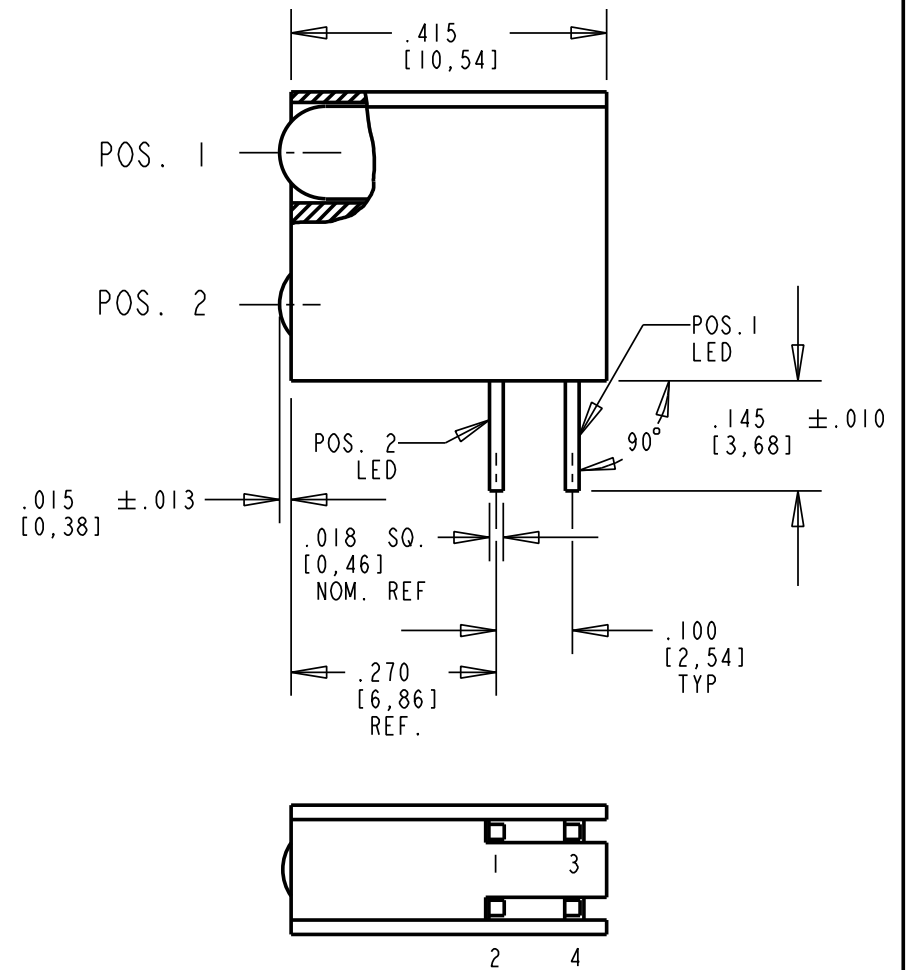
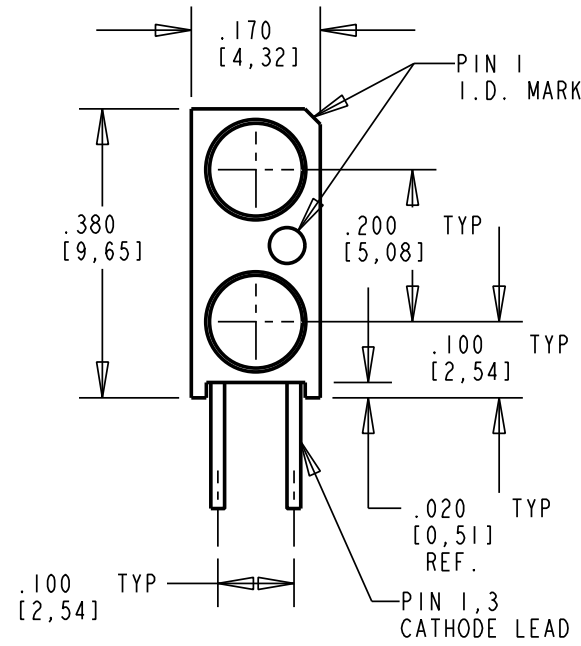
| PART NUMBER | LED COLOR | |
|---------------|-----------|--------|
| | POS. 1 | POS. 2 |
| 553-2210-100F | RED | BLANK |
| 553-2211-100F | RED | RED |
| 553-2212-100F | RED | GREEN |
| 553-2213-100F | RED | YELLOW |
| 553-2220-100F | GREEN | BLANK |
| 553-2221-100F | GREEN | RED |
| 553-2222-100F | GREEN | GREEN |
| 553-2223-100F | GREEN | YELLOW |
| 553-2231-100F | YELLOW | RED |
| 553-2232-100F | YELLOW | GREEN |
| 553-2233-100F | YELLOW | YELLOW |
| 553-2299-100F | WHITE | WHITE |

| COLOR BIN LIMIT SPECIFICATIONS OF WHITE LED | | | | | |
|---|--------------------------|-------|-------|-------|-------|
| BIN | CHROMATICITY COORDINATES | | | | |
| 1 | x | 0.330 | 0.330 | 0.356 | 0.361 |
| | y | 0.360 | 0.318 | 0.351 | 0.385 |
| 2 | x | 0.287 | 0.296 | 0.330 | 0.330 |
| | y | 0.295 | 0.276 | 0.318 | 0.339 |
| 3 | x | 0.264 | 0.280 | 0.296 | 0.283 |
| | y | 0.267 | 0.248 | 0.276 | 0.305 |
| 4 | x | 0.283 | 0.287 | 0.330 | 0.330 |
| | y | 0.305 | 0.295 | 0.339 | 0.360 |

TOLERANCE FOR EACH COLOR BIN LIMIT IS ±0.01.

| INTENSITY BIN LIMITS OF WHITE LED (mcd @ I _f =20mA) | | |
|--|------|------|
| BIN | MIN | MAX |
| Q | 1150 | 1500 |
| R | 1500 | 1900 |
| S | 1900 | 2500 |

TOLERANCE FOR EACH BIN LIMIT IS ±15%.



RoHS Compliant 553-22XX-100F

Part Numbers with the "F" suffix ending are RoHS Compliant. For example: 553-2222-100F. Packaging is marked with "RoHS Compliant" label or equivalent markings. Parts can be wave soldered, dip soldered or hand soldered using typical lead-free soldering process with max 260°C temp. for 5 sec.



ATTENTION:
OBSERVE PRECAUTIONS FOR
HANDLING ELECTROSTATIC
SENSITIVE DEVICES

| OPERATING CHARACTERISTICS AT 25°C AMBIENT | | | | | | |
|---|--------|------|------|-------|--------|------------------------|
| CHARACTERISTICS | COLOR | MIN | TYP | MAX | UNITS | TEST CONDITIONS |
| LUMINOUS INTENSITY | RED | 8.7 | 29.0 | — | mcd | I _f = 10 mA |
| | GREEN | 32 | 50 | — | | |
| | YELLOW | 10 | — | 50 | | |
| | WHITE | 950* | — | 2900* | | |
| FORWARD VOLTAGE | RED | — | 2.0 | 2.8 | V | I _f = 20 mA |
| | GREEN | — | 2.1 | 2.8 | | |
| | YELLOW | — | 2.1 | 2.8 | | |
| | WHITE | — | 3.2 | 3.7 | | |
| REVERSE CURRENT | RED | — | — | 100 | μA | V _R = 5 V |
| | GREEN | — | — | 100 | | |
| | YELLOW | — | — | 100 | | |
| | WHITE | 10 | — | — | | |
| PEAK WAVELENGTH | RED | — | 635 | — | nm | |
| | GREEN | — | 565 | — | | |
| | YELLOW | — | 585 | — | | |
| | WHITE | — | — | — | | |
| VIEWING ANGLE | ALL | 45 | | | DEGREE | |

| ABSOLUTE MAXIMUM RATING AT 25°C AMBIENT | | | |
|---|--------|-------------|-------|
| | COLOR | VALUE | UNITS |
| POWER DISSIPATION | RED | 100 | mW |
| | GREEN | 100 | |
| | YELLOW | 60 | |
| | WHITE | 111 | |
| DERATE LINEARLY FROM 50°C | RED | 0.4 | mA/°C |
| | GREEN | 0.4 | |
| | YELLOW | 0.25 | |
| | WHITE | 0.42 | |
| CONTINUOUS FORWARD CURRENT | RED | 30 | mA |
| | GREEN | 30 | |
| | YELLOW | 20 | |
| | WHITE | 30 | |
| LEAD SOLDERING TEMPERATURE, 5 SEC., 1/16" FROM BODY | ALL | 260 | °C |
| OPERATING TEMPERATURE | RED | -55 TO +100 | °C |
| | GREEN | -55 TO +100 | |
| | YELLOW | -55 TO +100 | |
| | WHITE | -40 TO +85 | |
| STORAGE TEMPERATURE | RED | -55 TO +100 | °C |
| | GREEN | -55 TO +100 | |
| | YELLOW | -55 TO +100 | |
| | WHITE | -40 TO +100 | |

- NOTES:
- LEADS TO FIT INTO HOLES SPACED AS PER HOLE PATTERN.
 - LEADS TO BE FREE OF DEFORMATION AFTER BENDING AND CUTTING.
 - LED LEAD DIMENSIONS SHOWN ARE MEASURED AT HOUSING EXIT.
 - PIN NUMBERS FOR REFERENCE ONLY, DESIGNATION NON-EXISTENT ON PARTS.
 - DIALIGHT PART NUMBERS: 553-22XX-100F
 - * THESE VALUES REFLECT A 15% TOLERANCE IN BINNING. WITHOUT THE 15% TOLERANCE, THE MINIMUM IS 1150mcd AND THE MAXIMUM IS 2500mcd.
 - THIS ASSEMBLY CONTAINS ELECTROSTATIC DISCHARGE SENSITIVE DEVICES (ESDS). MAINTAIN ALL PRECAUTIONARY MEASURES DURING ASSEMBLY, HANDLING AND STORAGE IN ACCORDANCE WITH IPC-A-610.

| | | |
|---|--|---------------|
| THIS DRAWING AND THE CONTENTS HEREIN ARE CONFIDENTIAL AND THE SOLE PROPERTY OF DIALIGHT. REPRODUCTION OF THIS DRAWING OR CONSTRUCTION OF ANY PARTS WITHIN THIS DRAWING ARE FORBIDDEN WITHOUT THE WRITTEN CONSENT OF DIALIGHT. | | |
| SCALE: DRAWING SCALE ALL DIM'S IN: INCHES (MM) | DRAWING NUMBER C-17572 | REV A |
| TOLERANCES: UNLESS OTHERWISE SPECIFIED | TITLE BI-LEVEL CBI ARRAY RoHS COMPLIANT | |
| FRACTIONS: ±1/64 DECIMALS (.XX): ±.01 DECIMALS (.XXX): ±.005 DECIMALS (.XXXX): ±.0005 ANGLES: ±1° | MATERIAL | |
| FINISH: | Dialight 1501 ROUTE 34 SOUTH FARMINGDALE, NJ 07727 | |
| FSCM 83330 | SHEET 1 OF 1 | FAMILY TABLE: |