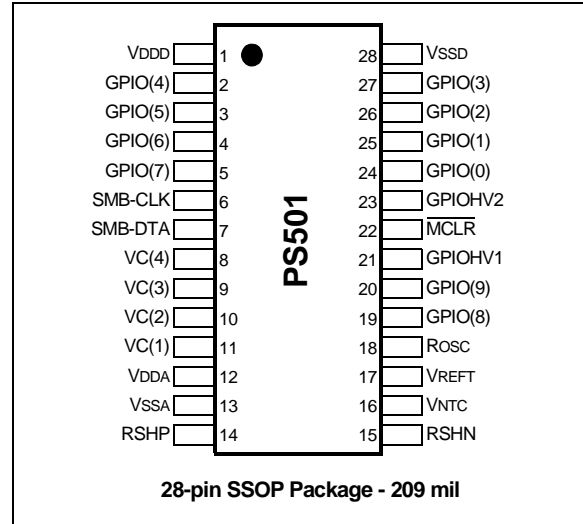


## Single Chip Field Reprogrammable Battery Manager

### Features

- Single chip solution for rechargeable battery management
- Footprint compatible with PS401
- SMBus 1.1 and SBDData 1.1 compatible
- Precise capacity reporting for Lithium Ion and Lithium Polymer battery chemistries
- Embedded PowerSmart<sup>®</sup> patented algorithms contained in customizable on-chip 16-Kbyte Flash memory
- User configurable and “learned” parameters stored in on-chip 256 x 8 EEPROM
- Algorithms and parameters fully field reprogrammable via SMBus interface
- Integrating sigma-delta A/D converter with 9 to 16-bit programmable resolution which accurately measures:
  - Current through sense resistor
  - High-voltage (18V) battery cells directly connected to VCELL inputs
  - Temperature measurement from on-chip sensor or optional external thermistor
- Integrated precision silicon time base
- Twelve individually programmable input/output pins that can be assigned as charge control I/O, secondary safety function I/O, SOC LED output or general purpose I/O
  - Two of the twelve I/Os are high voltage, capable for direct drive of Charge and Safety FETs
- On-chip regulator generates precision digital and analog supply voltages directly from pack voltage
- Supports direct connection to 2 to 4-cell Lithium packs
- Flexible power operating modes:
  - Run: Continuous operation
  - Sample: Periodic measurements at programmable intervals
  - Sleep: Shutdown mode due to low voltage. Power consumption less than 25  $\mu$ A.
  - Shelf-Sleep: Shuts off PS501 power consumption for pack storage with automatic wake-up on pack insertion. Power consumption is less than 1  $\mu$ A.
- Integrated Reset Control
  - Power-on Reset
  - Watchdog Timer Reset
  - Brown-out Detection Reset

### Pin Description



### Pin Summary

| Pin Name         | Type   | Description  |
|------------------|--------|--|
| VDDD, VSSD       | Supply | Digital supply voltage input, ground   |
| GPIO(0..9)       | I/O    | Programmable digital I/O   |
| GPIOHV1,2        | I/O    | Open-drain programmable digital I/O for direct drive of FETs                   |
| MCLR             | I      | Master Clear. Pull-up in normal operation                                      |
| SMB-CLK, SMB-DTA | I/O    | SMBus interface  |
| VC(1..4)         | I      | Cell voltage inputs  |
| VDDA, VSSA       | Supply | Voltage regulator output (internally connected to analog supply input), ground |
| RSHP, RSHN       | I      | Current sense resistor input   |
| VNTC             | I      | External thermistor input  |
| VREFT            | O      | Thermistor reference voltage   |
| ROSC             | I      | Internal oscillator bias resistor  |

# PS501

## 1.0 PRODUCT OVERVIEW

The PS501 combines a high-performance, low-power Microchip PIC18 microcontroller core together with PowerSmart proprietary monitoring/control algorithms and 3D cell models stored in 16 Kbytes of on-chip reprogrammable Flash memory.

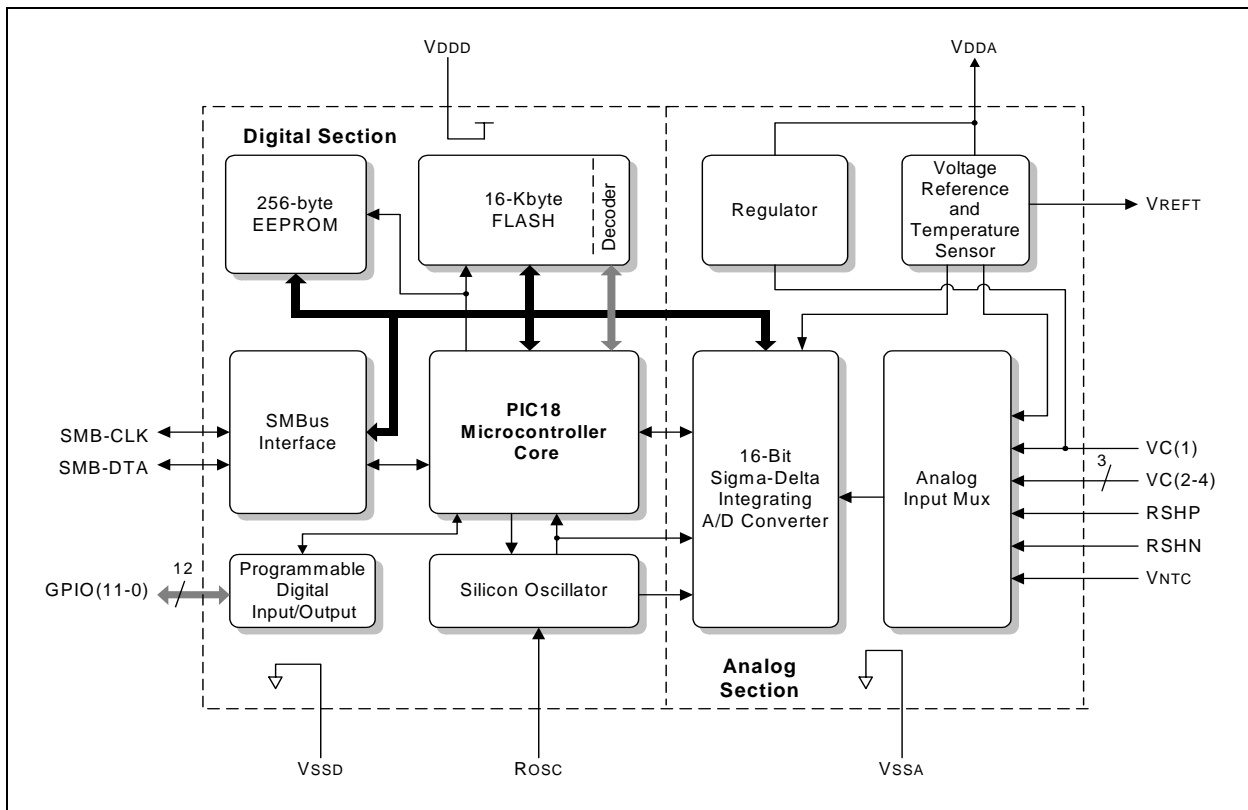
Analog resources include a 16-bit sigma-delta integrating A/D and mixed signal circuitry for precision measurement of battery current, temperature and voltage and for direct connection to 4-cell series Lithium Ion packs. On-chip EEPROM is provided for storage of user customizable and "learned" battery parameters.

An industry standard 2-wire SMBus interface supports host communication using standard SBDATA commands and status.

Additional integrated features include a high accuracy on-chip oscillator and temperature sensor. Twelve general purpose pins support charge or safety control or user programmable digital I/O. Eight of them can be used as LED drivers and two are open drain for direct FET drive.

The PS501 can be configured to accommodate all Lithium rechargeable battery chemistries, including Li Ion graphite, Li Ion hard carbon and Li Ion polymer, with direct connection to 2 to 4 series cell configurations.

FIGURE 1-1: PS501 INTERNAL BLOCK DIAGRAM



## 1.1 Architectural Description

The PS501 is a fully field reprogrammable single chip solution for rechargeable battery management. Figure 1-1 is an internal block diagram highlighting the major architectural elements described below.

## 1.2 Microcontroller/Memory

The PS501 incorporates an advanced, low-power Microchip PIC18 8-bit RISC microcontroller core. Memory resources include 16 Kbytes of reprogrammable Flash memory for program/data storage and 256 bytes of EEPROM for parameter storage. Both memory arrays may be reprogrammed through the SMBus interface.

## 1.3 A/D Converter

The PS501 performs precise measurements of current, voltage and temperature, using a highly accurate 16-bit integrating sigma-delta A/D converter. The A/D can be calibrated to eliminate gain and offset errors and incorporates an auto-zero offset correction feature that can be performed while in the end system application.

## 1.4 PowerSmart® Firmware/Battery Models

Contained within the 16-Kbyte Flash memory is the PowerSmart developed battery management firmware that incorporates proprietary algorithms and sophisticated 3-dimensional cell models. Developed by battery chemists, the patented, self-learning 3D cell models contain over 250 parameters and compensate for self-discharge, temperature and other factors. In addition, multiple capacity correction and error reducing functions are performed during charge/discharge cycles to enhance accuracy and improve fuel gauge and charge control performance. As a result, accurate battery capacity reporting and run-time predictions with less than 1% error are achievable.

The reprogrammability of the Flash allows firmware upgrades and customized versions to be rapidly created without the need for silicon revisions.

The PS501 can be easily customized for a particular application's battery cell chemistry. Standard configuration files are provided by PowerSmart for a wide variety of popular rechargeable cells and battery pack configurations.

## 1.5 SMBus Interface/SBData Commands

Communication with the host is fully compliant with the industry standard Smart Battery System (SBS) specification. Included is an advanced SMBus communications engine that is compliant with the SMBus v1.1 protocols. The integrated firmware processes all the revised Smart Battery Data (SBData) v1.1 values.

## 1.6 Accurate Integrated Time Base

The PS501 integrates a highly accurate silicon oscillator that provides accurate timing for self-discharge and capacity calculations and eliminates the need for an external crystal.

## 1.7 Temperature Sensing

An integrated temperature sensor is provided to minimize component count when the PS501 IC is located in close physical proximity to the battery cells being monitored. As an option, a connection is provided for an external thermistor that can also be monitored.

## 1.8 General Purpose I/O

Twelve programmable digital input/output pins are provided by the PS501. Eight of these pins can be used as LED outputs to display State-Of-Charge (SOC), used for direct control of external charge circuitry or to provide additional levels of safety in Li Ion packs. Alternatively, they can be used as general purpose input/outputs. Two of the I/Os are open-drain outputs and can thus be used to directly drive FETs or other high-voltage applications.

# PS501

**TABLE 1-1: PIN DESCRIPTIONS**

| Pin | Name    | Description   |
|-----|---------|---|
| 1   | VDDD    | (Input) Filter capacitor input for digital supply voltage.  |
| 2   | GPIO(4) | (Bidirectional) Programmable general purpose digital input/output pin (4) or LED driver.  |
| 3   | GPIO(5) | (Bidirectional) Programmable general purpose digital input/output pin (5) or LED driver.  |
| 4   | GPIO(6) | (Bidirectional) Programmable general purpose digital input/output pin (6) or LED driver.  |
| 5   | GPIO(7) | (Bidirectional) Programmable general purpose digital input/output pin (7) or LED driver.  |
| 6   | SMB-CLK | SMBus clock pin connection.   |
| 7   | SMB-DTA | SMBus data pin connection.  |
| 8   | VC(4)   | (Input) Cell voltage input for the fourth highest voltage cell in a series string.  |
| 9   | VC(3)   | (Input) Cell voltage input for the third highest voltage cell in a series string.   |
| 10  | VC(2)   | (Input) Cell voltage input for the second highest voltage cell in a series string.  |
| 11  | VC(1)   | (Input) Cell voltage input for the first or highest voltage cell in a series string.  |
| 12  | VDDA    | (Input) Analog supply voltage input.  |
| 13  | VSSA    | Analog ground reference point.  |
| 14  | RSHP    | (Input) Current measurement A/D input from positive side of the current sense resistor.   |
| 15  | RSHN    | (Input) Current measurement A/D input from negative side of the current sense resistor.   |
| 16  | VNTC    | (Input) A/D input for use with an external temperature circuit. This is the midpoint connection of a voltage divider, where the upper leg is a thermistor (103ETB type) and the lower leg is a 3.65 KOhm resistor. This input should not go above 150 mV. |
| 17  | VREFT   | (Output) Reference voltage output for use with temperature measuring A/D circuit. This 150 mV output is the top leg of the voltage divider and connects to an external thermistor.  |
| 18  | ROSC    | External bias resistor.   |
| 19  | GPIO(8) | (Bidirectional) Programmable general purpose digital input/output pin (8).  |
| 20  | GPIO(9) | (Bidirectional) Programmable general purpose digital input/output pin (9).  |
| 21  | GPIOHV1 | (Bidirectional) Programmable general purpose digital input/output pin (10). Open-drain, high-voltage tolerant.  |
| 22  | MCLR    | (Input) Master Clear. Must be pulled up for normal operation.   |
| 23  | GPIOHV2 | (Bidirectional) Programmable general purpose digital input/output pin (12). Open-drain, high-voltage tolerant.  |
| 24  | GPIO(0) | (Bidirectional) Programmable general purpose digital input/output pin (0) or LED driver.  |
| 25  | GPIO(1) | (Bidirectional) Programmable general purpose digital input/output pin (1) or LED driver.  |
| 26  | GPIO(2) | (Bidirectional) Programmable general purpose digital input/output pin (2) or LED driver.  |
| 27  | GPIO(3) | (Bidirectional) Programmable general purpose digital input/output pin (3) or LED driver.  |
| 28  | VSSD    | Digital ground reference point.   |

## 2.0 A/D OPERATION

The PS501 A/D converter measures current, voltage and temperature and integrates the current over time to predict State-Of-Charge. Pack voltage and individual cell voltages are monitored and can be individually calibrated for the best accuracy. Using an external sense resistor, current is monitored during both charge and discharge and is integrated over time using the on-chip oscillator as the time base. Temperature is measured from the on-chip temperature sensor or an optional external thermistor. Current and temperature are also calibrated for accuracy.

### 2.1 A/D Converter List

The A/D converter alternately measures pack voltage, cell voltages, current, temperature and auto-offset as explained below. The schedule for the sequence and frequency of these measurements is programmable, as is the number of bits used. The default scheduling uses three lists. At near full (above the voltage point **ADLNearFull**) and near empty (below the voltage point **ADLNearEmpty**), voltage intensive lists are used to accurately end charge or discharge. In between **ADLNearFull** and **ADLNearEmpty**, a current intensive schedule is used to more accurately calculate capacity.

### 2.2 Current Measurement

The A/D input channels for current measurement are the RSHP and RSHN pins. The current is measured using an integrating method, which averages over time to get the current measurement and integrates over time to get a precise measurement value.

A 5 to 600 milli-Ohm sense resistor is connected to RSHP and RSHN as shown in the example schematic. The maximum input voltage at either RSHP or RSHN is +/-150 mV. The sense resistor should be properly sized to accommodate the lowest and highest expected charge and discharge currents, including suspend and/or standby currents.

Circuit traces from the sense resistor should be as short as practical without significant crossovers or feedthroughs. Failure to use a single ground reference point at the negative side of the sense resistor can significantly degrade current measurement accuracy.

The EEPROM value, **NullCurr**, represents the zero zone current of the battery. This is provided as a calibration guardband for reading zero current. Currents below the +/- **NullCurr** (in mA) limit are read as zero and are not included in the capacity algorithm calculations. A typical value for **NullCurr** is 3 mA, so currents between -3 mA and +3 mA will be reported as zero and not included in the capacity calculations.

The equation for current measurement resolution and sense resistor selection is shown in the following equation.

#### EQUATION 2-1:

$$9.15 \text{ mV/RSENSE (milli-Ohms)} = \text{Current LSB}$$

(Minimum current measurement if > **NullCurr**)

$$\text{Current LSB} \times 16384 = \text{Maximum current measurement possible}$$

In-circuit calibration of the current is done using the SMBus interface at time of manufacture to obtain absolute accuracy. The current measurement equation is:

#### EQUATION 2-2:

$$I(\text{ma}) = (I_{A/D} - \text{COCurr}) * \text{CFCurr}/16384$$

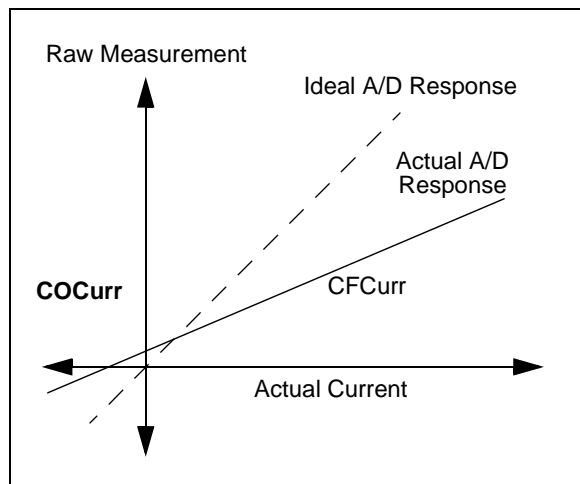
where:  
 $I_{A/D}$  is the internal measurement

**COCurr** is the "Correction Offset for Current" which compensates for any offset error in current measurement stored in EEPROM.

**CFCurr** is the "Correction Factor for Current" which compensates for any variances in the actual sense resistance over varying currents stored in EEPROM.

Figure 2-1 shows the relationship of the **COCurr** and **CFCurr** values.

**FIGURE 2-1: COCurr AND CFCurr VALUE RELATIONSHIP**



### 2.3 Auto-Offset Compensation

Accuracy drift is prevented using an automatic auto-zero self-calibration method, which 're-zeroes' the current measurement circuit every  $\text{AOMInt} * 0.5$  seconds when enabled. This feature can correct for drift in temperature during operation. The auto-offset compensation circuit works internally by disconnecting the RSHP and RSHN inputs and internally shorting these inputs to measure the zero input offset. The EEPROM and calibration value COD is the true zero offset value of the particular module.

## 2.4 Voltage Measurements

The A/D input channels for cell and pack voltage measurements are the VC(1) to VC(4) pins. Measurements are taken each measurement period when the A/D is active. The maximum voltage at any VCELLX input pin is 19V absolute, but voltages above 18V are not suggested. The individual cell voltages are measured with an integration method to reduce any sudden spikes or fluctuations. The A/D uses an 11-bit resolution mode for these measurements.

Cell voltage inputs are read every measurement period, which is approximately every 500 milliseconds. This could be further extended by the use of Sample mode, where A/D measurements are not activated every measurement period, depending on the configuration of **SampleLimit** and **NSample** values. (See **Section 3.0 “Operational Modes”** for additional information.) For Li Ion, Li-based, or even Lead-Acid applications, up to four (4) series cell voltages may be monitored individually. The highest voltage cell of the stack must be connected to VC(1).

For some applications, the actual cell stack arrangement can be altered accordingly. The PS501 voltage input pins (VCELLX pins) are capable of measuring up to 18V each. Therefore, cell arrangements can be combined and the corresponding cell voltage thresholds can be adjusted. For example, a 2-cell Li Ion pack could actually be connected as a single 7.2V cell instead of two 3.6V cells. The values for the cell voltages would all be doubled, for example VCELL1 would equal the sum of two cells and only the VC(1) input pin would be used.

Each VCELLX input circuit contains an internal resistive divider to reduce the external voltage input to a range that the internal A/D circuit can accommodate (150 mV maximum). These dividers are set based on a maximum cell voltage of 4.5 volts. A range of 340 mV with dividers, based on a maximum voltage of 20 volts, is used for pack voltage.

The impedance at each VCELLX input is roughly 100 kOhms, but is only connected to ground (via the VSSA pins) when the actual voltage measurement is occurring. This corresponds to an insignificant amount of capacity drained through this circuit during the brief voltage measurement period, typically 45 ms every 500 ms.

### 2.4.1 IMPEDANCE COMPENSATION

Since accurate measurement of pack voltage and cell voltages are critical to performance, the voltage measurements can be compensated for any impedance in the power path that might affect the voltage measurements.

The EEPROM value **PackResistance** is used to compensate for additional resistance that should be removed.

The equation for the compensation value (in ohms) is:

#### EQUATION 2-3:

$$\text{PackResistance} = \text{Trace Resistance} * 65535$$

(This is a 2-byte value so the largest value is 1 ohm.)

This requires modification of overall voltage SBData function to compensate for pack resistance and shunt resistance of the current sense resistor. Thus, the previous voltage equation is modified to:

#### EQUATION 2-4:

$$\text{SBData Voltage Value} = \text{VC}(1) + \text{Measured Current (mA)} * \text{PackResistance}/65535$$

The voltage measurement equation is:

#### EQUATION 2-5:

$$V \text{ (mV)} = (\text{V}_{\text{A/D}} - \text{COVPack}) * \text{CFVPack}/16384$$

where:  
V<sub>A/D</sub> is the internal measurement output

**COVPack** is the “Correction Offset for Pack Voltage” which compensates for any offset error in voltage measurement (since the offset of the A/D is less than the voltage measurement resolution of +/- 16.5 mV, the **COVPack** value is typically zero).

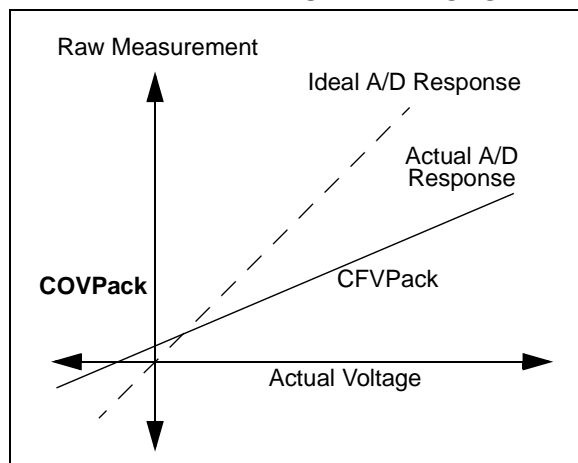
**CFVPack** is the “Correction Factor for Pack Voltage” which compensates for any variance in the actual A/D response versus an ideal A/D response over varying voltage inputs.

The **COVPack** and **CFVPack** are calibration constants that are stored in EEPROM.

VCELL1 and VCELL4 can also be compensated for impedance in the lines connecting to the PS501. **VC1Res** is the resistance between the PS501 and the highest series cell. **VC4Res** is the resistance between the PS501 and the lowest cell. This allows the PS501 to subtract any voltage drop due to current between the cell and the PS501.

Figure 2-2 shows the relationship of the **COVPack** and **CFVPack** values.

**FIGURE 2-2: COVPack AND CFVPack VALUE RELATIONSHIP**



In-circuit calibration of the voltage is done at the time of manufacture to obtain absolute accuracy in addition to high resolution. Individual cell voltage measurements can be accurate to within  $\pm 20$  mV.

The individual cell voltage inputs are also calibrated the same way the pack voltage is. There is one offset value, **COVCell**, for all individual cells and up to four different correction factors, **CFVCell1** through **CFVCell4**, one for each cell input.

## 2.5 Temperature Measurements

The A/D receives input from the internal temperature sensor to measure the temperature. Optionally, an external thermistor can be connected to the VNTC pin which is also monitored by the A/D converter. An output reference voltage for use with an external thermistor is provided on the VREFT pin. The A/D uses an 11-bit resolution mode for the temperature measurements.

A standard 10 kOhms at 25°C Negative-Temperature-Coefficient (NTC) device of the 103ETB type is suggested for the optional external thermistor. One leg of the NTC should be connected to the VREFT pin and the other to both the VNTC pin and a 3.65 kOhms resistor to analog ground (VSSA). The resistor forms the lower leg of a voltage divider circuit. To maintain high accuracy in temperature measurements, a 1% resistor should be used.

A look-up table is used to convert the voltage measurement seen at the VNTC pin to a temperature value. The external thermistor should be placed as close as possible to the battery cells and should be isolated from any other sources of heat that may affect its operation.

Calibration of the temperature measurements involves a correction factor and an offset exactly like the current and voltage measurements. The internal temperature measurement makes use of correction factor **CTTempI** and offset **COTempI**, while the VNTC and VREFT pins for the optional external thermistor make use of correction factor **CTTempE** and offset **COTempE**.

## 3.0 OPERATIONAL MODES

The PS501 operates on a continuous cycle. The frequency of the cycles depends on the power mode selected. There are four power modes: Run, Sample, Sleep and Shelf-Sleep. Each mode has specific entry and exit conditions as listed below.

### 3.1 Run Mode

Whether the PS501 is in Run mode or Sample mode depends on the magnitude of the current. The Run and Sample mode entry-exit threshold is calculated using the EEPROM parameter, **SampleLimit**.

**SampleLimit** is a programmable EEPROM value and **CFCurr** is an EEPROM value set by calibration.

Entry to Run mode occurs when the current is more than +/- **SampleLimit** mA for two consecutive measurements. Run mode may only be exited to Sample mode, not to Sleep mode, when Sample mode is enabled. Exit from Run mode to Sample mode occurs when the converted measured current is less than the +/- **SampleLimit** mA threshold for two consecutive measurements.

Run mode is the highest power consuming mode. During Run mode, all measurements and calculations occur once per measurement period. Current, voltage and temperature measurements are each typically made sequentially during every measurement period.

### 3.2 Sample Mode

Entry to Sample mode occurs when the measured current is less than +/- **SampleLimit** (EE parameter) two consecutive measurements. Sample mode may be exited to either Run mode or Sleep mode.

While in Sample mode, measurements of voltage, current and temperature occur only once per **NSample** counts of measurement periods, where **NSample** is a programmable EEPROM value. Calculations of State-Of-Charge, SMBus requests, etc. still continue at the normal Run mode rate, but measurements only occur once every measurement period x **NSample**. The minimum value for **NSample** is two.

The purpose of Sample mode is to reduce power consumption during periods of inactivity (low rate charge or discharge). Since the analog-to-digital converter is not active, except every **NSample** counts of measurement periods, the overall power consumption is significantly reduced.

### EXAMPLE 3-1: CONFIGURATION

Measurement period is 500 ms

**SampleLimit** is set to 20

**NSample** is set to 16

#### Result:

Run/Sample mode entry-exit threshold = 20 mA

During Sample mode, measurements will occur every:

16 measurement periods of 500 mS = every 8 seconds

### 3.3 Low-Voltage Sleep Mode

Entry to Sleep mode can only occur when the measured pack voltage at the VC(1) input is below a preset limit, set by the EEPROM value **SleepVPack** (in mV). Sleep mode may be exited to Run mode, but only when one of the wake-up conditions is satisfied.

While in Sleep mode, no measurements occur and no calculations are made. The fuel gauge display is not operational, no SMBus communications are recognized and only a wake-up condition will permit an exit from Sleep mode. Sleep mode is one of the lowest power consuming modes and is used to conserve battery energy following a complete discharge.

There are two levels of Low-Voltage Sleep mode that can be used, each with a different wake-up criteria. Default Low-Power mode will use 25  $\mu$ A typical and will wake-up when the voltage exceeds the **WakeUp** voltage level. By setting bit 1 of the **WakeUp** register to '1', the Ultra Low-Power mode can be used. This will be entered by low voltage, but wake-up occurs by pulling the SMBus lines high. Ultra Low-Power mode uses less than 1  $\mu$ A.

### 3.4 Shelf-Sleep Mode

Shelf-Sleep mode is used to put the PS501 into Low-Power mode, regardless of voltage level, for long term storage of battery packs. It is entered by an SMBus command. It is exited by the conditions selected in the **WakeUp** register. These can be voltage, GPIO or SMBus activity. If any of these four are selected for wake-up, the Shelf-Sleep mode will be Low-Power mode and will draw 25  $\mu$ A typical. If none of these options are selected and bit 3 of the **WakeUp** register is set, the Shelf-Sleep mode will be Ultra Low-Power mode, which will draw less than 1  $\mu$ A and wake-up will be by pulling SMBus high.



**TABLE 3-1: WakeUp EEPROM VALUE**

| Bit | Name               | Function  |
|-----|--------------------|---|
| 7   | WakeIO             | Wake-up from I/O Activity   |
| 6   | WakeBus            | Wake-up from SMBus Activity   |
| 5   | Unused             |   |
| 4   | WakeVlt            | Wake-up from Voltage  |
| 3   | Enable Shelf-Sleep | Use Ultra Low-Power mode for Shelf-Sleep mode. All other bits must be zero. |
| 1   | LV Sleep Mode      | Use Ultra Low-Power mode as Low-Voltage Sleep mode                          |
| 0   | Zero Remcap        | Set remap to zero when entering Low-Voltage Sleep mode                      |

**TABLE 3-2: WakeLevels EEPROM VALUE**

| WakeUp Voltage (2:0) | Voltage | Purpose        |
|----------------------|---------|----------------|
| 000                  | 6.4V    | 2 cells Li Ion |
| 001                  | 6.66V   | 2 cells Li Ion |
| 010                  | 8.88V   | 2 cells Li Ion |
| 011                  | 9.6V    | 3 cells Li Ion |
| 100                  | 9.99V   | 3 cells Li Ion |
| 101                  | 11.1V   | 3 cells Li Ion |
| 110                  | 12.8V   | 4 cells Li Ion |
| 111                  | 13.3V   | 4 cells Li Ion |

**TABLE 3-3: POWER MODE SUMMARY**

| Mode        | Entry  | Exit  | Notes   |
|-------------|--|---|---|
| Run         | Measured current > preset threshold (set by <b>SampleLimit</b> ) | Measured current < preset threshold (set by <b>SampleLimit</b> )  | Highest power consumption and accuracy for rapidly changing current.  |
| Sample      | Measured current < preset threshold (set by <b>SampleLimit</b> ) | Measured current > preset threshold (set by <b>SampleLimit</b> )  | Saves power for low, steady current consumption. Not as many measurements needed. Measurements made every <b>NSample</b> periods. |
| Sleep       | V <sub>PACK</sub> < <b>SleepVPack</b> and in Sample mode         | <b>WakeUp</b> voltage level exceeded (Low-Power mode) or SMBus pulled high (Ultra Low-Power mode)       | No measurements made.   |
| Shelf-Sleep | SMBus command  | <b>WakeUp</b> register conditions met (Low-Power mode) or SMBus pins pulled high (Ultra Low-Power mode) | No measurements made.   |

## 4.0 CAPACITY MONITORING

The PS501 internal CPU uses the voltage, current and temperature data from the A/D converter, along with parameters and cell models, to determine the state of the battery and to process the SBDData function instruction set.

By integrating measured current, monitoring voltages and temperature, adjusting for self-discharge and checking for End-Of-Charge and End-Of-Discharge conditions, the PS501 creates an accurate fuel gauge under all battery conditions.

### 4.1 Capacity Calculations

The PS501 calculates State-Of-Charge and fuel gauging functions using a 'coulomb counting' method, with additional inputs from battery voltage and temperature measurements. By continuously and accurately measuring all the current into and out of the battery cells, along with accurate three-dimensional cell models, the PS501 is able to provide accurate predictions of SOC and run-time.

The capacity calculations consider two separate states: charge acceptance or Capacity Increasing (CI) and discharge or Capacity Decreasing (CD). The CI state only occurs when a charge current larger than the EEPROM **NullCurr** value is measured. Otherwise, while at rest and/or while being discharged, the state is CD. Conditions must persist for at least **NChangeState** measurement periods for a valid state change between CD and CI. A minimum value of 2 is suggested for **NChangeState**.

Regardless of the CI or CD state, self-discharge is also calculated and subtracted from the integrated capacity values. Even when charging, there is still a self-discharge occurring in the battery.

To compensate for known system errors in the capacity calculations, a separate error term is also continuously calculated. This term is the basis for the SBDData value of **MaxError**. Two error values are located in EEPROM. The **CurrError** value is the inherent error in current measurements and should be set based on the selection of a sense resistor and calibration results. The **SelfDischrgErr** value is the error in the parameter tables for self-discharge and depends on the accuracy of the cell chemistry model for self-discharge.

Since the PS501 electronics also drain current from the battery system, another EEPROM value allows even this minor drain to be included in the capacity calculations. The **PwrConsumption** value represents the drain of the IC and associated circuitry, including additional safety monitoring electronics if present. A typical value of 77 represents the module's nominal power consumption, including the PS501 typical consumption.

The total capacity added or subtracted from the battery (change in charge) per measurement period is expressed by the following formula:

#### EQUATION 4-1:

$$\Delta\text{Charge} = \Sigma i\Delta t \text{ (the current integrated over time)}$$

- **CurrError** (Current Measurement Error)
- **PwrConsumption** \*  $\Delta t$  (PS501 IDD)
- % of Self-Discharge \* FCC
- **SelfDischrgErr** (Self-Discharge Error)

The error terms are always subtracted, even though they are +/- errors, so that the fuel gauge value will never be overestimated. Current draw of the PS501 and the self-discharge terms are also always subtracted. The SBDData value, **MaxError**, is the total accumulated error as the gas gauge is running.

The battery current will be precisely measured and integrated in order to calculate total charge removed from or added to the battery. Based on look-up table values, the capacity is adjusted for self-discharge relative to current, temperature and SOC.

### 4.2 Discharge Termination

Discharge termination is determined based on the End-Of-Discharge (EOD) voltage point. The voltage level at which this point occurs can be chosen to be constant, or to change depending on the temperature and discharge rate, since these factors affect the voltage curve and total capacity of the battery. The EOD voltage parameter table predicts the voltage point at which this EOD will be reached, based on discharge rate and temperature.

The PS501 will monitor temperature and discharge rate continuously and update the **Veodx** in real-time. When the voltage measured on the cell is below EOD voltage for the duration of **EODRecheck** x periods (500 ms), a valid EOD has occurred.

When a valid EOD has been reached, the **TERMINATE\_DISCHARGE\_ALARM** bit (bit 11) in **BatteryStatus** will be set. This will cause an **AlarmWarning** condition with this bit set.

Additionally, the **REMAINING\_TIME\_ALARM** and/or **REMAINING\_CAPACITY\_ALARM** bits can be set first to give a user defined early warning prior to the **TERMINATE\_DISCHARGE\_ALARM**. The remaining time alarm will trigger in battery status when the remaining time calculation falls below a threshold set by the SMBus command. The remaining capacity alarm will be set in battery status when the capacity falls below a threshold set by the SMBus command. Use an SMBus Write command to **RemainingTimeAlarm** (command code 0x02) or **RemainingCapacityAlarm** (command code 0x01) to set these values.

### 4.3 Capacity Relearn at Discharge Termination

To maintain accurate capacity prediction ability, the **FullCapacity** value is relearned on each discharge, which has reached a valid EOD after a previous valid fully charged condition (EOC). If a partial charge occurs before reaching a valid EOD, then no relearn will occur. If the discharge rate at EOD is greater than the 'C-rate' adjusted value in **RelearnCurrLim**, then no relearn will occur.

When a valid EOD has been reached, then the error calculations represented by the SBData value of **MaxError** will be cleared to zero. If appropriate, the relearned value of **FullCapacity** (and **FullChargeCapacity**) will also be updated at this time.

### 4.4 Discharge Termination Voltage Look-up Table

#### 4.4.1 NEAR EMPTY SHUTDOWN POINT

As the graph in Table 4-1 shows, available capacity in the battery varies with temperature and discharge rate. Since the remaining capacity will vary with temperature and discharge rate, a near empty shutdown point will also vary with temperature and discharge rate.

Knowing the discharge rate that occurs in the system during the shutdown process and knowing the temperature can pinpoint the exact save to disk point that will always leave the perfect shutdown capacity. The PS501 uses this information to tailor the gas gauge to the system and the remaining capacity and RSOC fuel gauge function will always go to zero at the efficient shutdown point. The table will use the voltage points at which this happens as the error correction and **FullCapacity** relearn point. This will ensure a relearn point before shutdown occurs and will correct any error in remaining capacity, also to ensure proper shutdown reserve energy.

The shutdown point has to equal the capacity required to shut down the system under the conditions of the shutdown. That is, looking at the curve that represents the actual discharge C-rate that occurs during the system shutdown function, we must stop discharge and initiate shutdown when the system has used capacity equal to that point on the shutdown C-rate curve. This is because no matter what the C-rate is when the shutdown point is reached, the system will automatically switch to the C-rate curve that represents the actual current draw of the shutdown function. So it doesn't matter if the system is in high discharge or low discharge, it will be in "shutdown" discharge conditions when shutdown begins and there must be enough capacity left. An example is a computer's save to disk function.

Table 4-1 shows that the system will always shutdown at the same capacity point regardless of C-rate conditions (since the C-rate of the save to disk procedure is a constant). Thus, we can automatically have an RSOC that is compensated for C-rate; it will go to zero when the capacity used is equal to the point at which shutdown occurs.

Ignoring the effects of temperature, we could mark the capacity used up to the shutdown point of the shutdown curve. All the shutdown voltage would then represent the same capacity and RSOC would always become zero at this capacity and FCC would always equal this capacity, plus the residual capacity of the save to disk curve.

To compensate for temperature, we can look at the series of curves that represent the shutdown C-rate at different temperatures. The PS501 implementation is to measure the temperature and choose a scaled RSOC value that will go to zero at the save to disk point at this temperature, assuming the temperature does not change. If it does change, then an adjustment to RSOC will be needed to make it go to zero at the shutdown point.

Taking temperature into consideration, the amount of capacity that can be used before shutdown is a constant as C-rate changes, but not constant as temperature changes. Thus, in the Look-up Table (LUT), the individual temperature columns will have voltage points that all represent the same capacity used, but the rows across temperature points (C-rate rows) will represent the different capacity used.

To compensate RSOC and RM, interpolation will be used and the compensation adjustment will happen in real-time to avoid sudden drops or jumps. Every time the temperature decreases by one degree, a new interpolated value will be subtracted from RSOC and RM. Every time the temperature increases by one degree, RSOC and RM will be held constant until discharged capacity equals the interpolated value that should have been added to RSOC and RM (to avoid capacity increases during discharge). With this interpolation happening in real-time, there will be no big jumps or extended flat periods as we cross over boundaries in the LUT. This compensation will not begin until after the fully charged status is reset, allowing RSOC to be 100% always when the battery is full.

### 4.5 Age Compensation

The voltage EOD points will be compensated due to the age of the cells. A linear factor, **AgeFactor**, will be applied to the voltage points as a function of **CycleCount**. The voltage levels will decrease as the battery pack ages to model the flattening of the voltage vs. capacity curve that naturally happens to battery cells.

# PS501

**TABLE 4-1: V\_EOD LOOK-UP TABLE**

|          | < -10° | < 0° | < 10° | < 20° | < 30° | < 40° | < 50° | > 50° |
|----------|--------|------|-------|-------|-------|-------|-------|-------|
| < 0.2C   | V1     | V2   | V3    | —     |       |       |       |       |
| < 0.5C   |        |      |       |       |       |       |       |       |
| < 0.8C   |        |      |       |       |       |       |       |       |
| < 1.1C   |        |      |       |       |       |       |       |       |
| < 1.4C   |        |      |       |       |       |       |       |       |
| < 1.7C   |        |      |       |       |       |       |       |       |
| < 2.0C   |        |      |       |       |       |       |       |       |
| > 2.0C   |        |      |       |       | —     | V62   | V63   | V64   |
| Capacity | 20%    | 10%  | 5%    | 3%    | 0%    | 0%    | 0%    | 0%    |

The above table is an example of the various voltage values that will signal the shutdown points as a function of temperature and discharge rate.

Also shown is the amount of capacity left after shutdown that will compensate RSOC.

Table 4-2 shows the actual names of the values in the EEPROM.

**TABLE 4-2: VALUE NAMES IN THE EEPROM**

|         | TEOD(1)  | TEOD(2)  | TEOD(3)  | TEOD(4)  | TEOD(5)  | TEOD(6)  | TEOD(7)  | TEOD(8)  |
|---------|----------|----------|----------|----------|----------|----------|----------|----------|
| CEOD(1) | VEOD1(1) | VEOD1(2) | VEOD1(3) | VEOD1(4) | VEOD1(5) | VEOD1(6) | VEOD1(7) | VEOD1(8) |
| CEOD(2) | VEOD2(1) | VEOD2(2) | VEOD2(3) | VEOD2(4) | VEOD2(5) | VEOD2(6) | VEOD2(7) | VEOD2(8) |
| CEOD(3) | VEOD3(1) | VEOD3(2) | VEOD3(3) | VEOD3(4) | VEOD3(5) | VEOD3(6) | VEOD3(7) | VEOD3(8) |
| CEOD(4) | VEOD4(1) | VEOD4(2) | VEOD4(3) | VEOD4(4) | VEOD4(5) | VEOD4(6) | VEOD4(7) | VEOD4(8) |
| CEOD(5) | VEOD5(1) | VEOD5(2) | VEOD5(3) | VEOD5(4) | VEOD5(5) | VEOD5(6) | VEOD5(7) | VEOD5(8) |
| CEOD(6) | VEOD6(1) | VEOD6(2) | VEOD6(3) | VEOD6(4) | VEOD6(5) | VEOD6(6) | VEOD6(7) | VEOD6(8) |
| CEOD(7) | VEOD7(1) | VEOD7(2) | VEOD7(3) | VEOD7(4) | VEOD7(5) | VEOD7(6) | VEOD7(7) | VEOD7(8) |
| CEOD(8) | VEOD8(1) | VEOD8(2) | VEOD8(3) | VEOD8(4) | VEOD8(5) | VEOD8(6) | VEOD8(7) | VEOD8(8) |
|         | FCCP(1)  | FCCP(2)  | FCCP(3)  | FCCP(4)  | FCCP(5)  | FCCP(6)  | FCCP(7)  | FCCP(8)  |

**TABLE 4-3: VALUE DEFINITIONS IN THE EEPROM**

|   |                                       |                       |
|---|---------------------------------------|-----------------------|
| <b>TEOD</b> 8 coded bytes   | typ: 5, 20, 35, 50, 80, 113, 150, 150 | Range: 1-255 per byte |
| EOD Temperature boundaries, 8 increasing values of temperature coded as $TEODx = (T_{celsius} * 10 + 200)/4$  |                                       |                       |
| <b>CEOD</b> 8 coded bytes   | typ: 19, 32, 48, 64, 77, 90, 109, 109 | Range: 1-255          |
| EOC C-rate boundaries, 8 increasing values of C-rates coded:<br>$CEODx = C\text{-rate} * (256/28/RF)$ , where RF is the Rate Factor (RFACOR) OTP EPROM parameter.<br>For RF = 7, $CEODx = C\text{-rate} * 64$ . Thus, a value of 32 is one-half C, etc. |                                       |                       |
| <b>FCCP</b> coded %   | typ: 50, 25, 12, 8, 0, 0, 0           | Range: 1-255          |
| Unusable residual capacity before save to disk, corresponding to temperature, 255 = 100%  |                                       |                       |
| <b>VEOD</b> coded   | typ: 75                               | Range: 1-255          |
| End-Of-Discharge voltage, voltage = $2700 + 4 * VEOD$ . Cell voltage at which save to disk is signaled.   |                                       |                       |

## 5.0 CHARGE CONTROL

A SBS configuration normally allows the Smart Battery to broadcast the ChargingVoltage and ChargingCurrent values to the Smart Battery Charger (SMBus address 12 hex) to 'control' when to start charge, stop charge and when to signal a valid 'fully charged' condition. AlarmWarnings are also sent from the Smart Battery (SMBus address 16 hex) to the Smart Battery Charger.

Alternately, the SMBus Host or a "Level 3" Smart Battery Charger may simply read the SBDData values for ChargingVoltage and ChargingCurrent from the Smart Battery directly. The Host or "Level 3" Smart Battery Charger is also required to read the SBDData value of BatteryStatus to obtain the appropriate alarm and status bit flags. When used in this configuration, the ChargingCurrent and ChargingVoltage broadcasts can be disabled from the Smart Battery by setting the CHARGER\_MODE (bit 14) in the BatteryMode register. The PS501 ICs support all of these functions. (Please refer to the SBS Smart Battery Charger Specification for a definition of the "Level 3" Smart Battery Charger.)

The ChargingCurrent and ChargingVoltage registers contain the maximum charging parameters desired by the particular chemistry, configuration and environmental conditions. The environmental conditions include the measured temperature and the measured cell or pack voltages.

For Li-based systems, ChargingVoltage should be set to the product of the **EOCVolt** and **Cells** values from the EEPROM:

### EQUATION 5-1:

$$\text{ChargingVoltage} = \text{EOCVolt} \times \text{Cells}$$

The ChargingCurrent value is set to a maximum using the **ChrgCurr** value from the EEPROM. For Lithium systems, both ChargingCurrent and ChargingVoltage values are maximums. When the current reaches **ChrgCurr**, it will be held constant at this value. Then, when the voltage reaches **ChrgVolt**, the current must be reduced so that the voltage will be constant and not exceed the maximum. This is accomplished by setting ChargingCurrent to **ChrgCurrOff**. For safety reasons, this current change also occurs when the temperature limits are exceeded. When temperature or voltage limits are exceeded, the value of ChargingCurrent changes to the **ChrgCurrOff** value from the EEPROM. When a valid End-Of-Charge (EOC) condition is detected and a fully charged state is reached, the ChargingCurrent value is set equal to the **ChrgCurrOff** value.

When ChargingCurrent is set to the **ChrgCurrOff** value, no broadcasts of either ChargingCurrent or ChargingVoltage will occur unless a charge current greater than **NullCurr** is detected by the A/D measurements. Temperature limits are set using the **ChrgMaxTemp**, **DischrgMaxTemp** and **ChrgMinTemp** values from EEPROM. These values represent the temperature limits within which ChargingCurrent will be set to **ChrgCurr**. Temperatures outside these limits will cause ChargingCurrent to be set to **ChrgCurrOff**.

If ChargingCurrent is set to **ChrgCurrOff** and the measured temperature is greater than **DischrgMaxTemp** and less than **ChrgMaxTemp** and a charge current is measured which is significantly larger than the **ChrgCurrOff** value, then ChargingCurrent will be set to **ChrgCurr** unless a fully charged condition has already been reached.

If the CHARGER\_MODE bit in the BatteryMode register is cleared (enabling broadcasts of ChargingCurrent and ChargingVoltage), then these broadcasts will occur every **NChrgBroadcast** measurement cycle.

The Smart Battery Data and Smart Battery Charger Specifications require that ChargingCurrent and ChargingVoltage broadcasts occur no faster than once per 5 seconds and no slower than once per 60 seconds when charging is occurring or desired. This requires that the **NChrgBroadcast** value must be set between 10 and 120. The SMBus Specification also requires that no broadcasts occur during the first 10 seconds after SMBus initialization.

### EXAMPLE 5-1: CONFIGURATION

|                               |                |
|-------------------------------|----------------|
| Measurement cycle is 500 msec |                |
| <b>NChrgBroadcast</b>         | = 100 decimal  |
| <b>ChrgCurr</b>               | = 2500 decimal |
| <b>ChrgCurrOff</b>            | = 10 decimal   |
| <b>ChrgMaxTemp</b>            | = 162 decimal  |
| <b>DischrgMaxTemp</b>         | = 137 decimal  |
| <b>ChrgMinTemp</b>            | = 50 decimal   |

#### Results:

ChargingCurrent and ChargingVoltage broadcasts:

100 cycles of 500 msec = every 50 seconds

Broadcast delay after SMBus initialization:

10 seconds

ChargingCurrent if Temperature > 45°C: 10 mA

ChargingCurrent if Temperature < 0°C: 10 mA

ChargingCurrent if Temperature < 35°C and > 0°C: 2500 mA

## 5.1 Full Charge Detection Methods

For a typical Lithium Ion constant-current/constant-voltage charge system, the PS501 will monitor the taper current that enters the battery once the battery has reached the final voltage level of the charger. Once the taper current falls to a certain level, indicating that the battery is full, the End-Of-Charge (EOC) will be triggered. Different taper currents will be used for different temperatures. See the parameter explanation in **Section 9.0 “Parameter Setup”** for details.

When a valid fully charged EOC condition is detected, the following actions occur:

- The FULLY\_CHARGED status bit (bit 5) in the SBDData value of BatteryStatus is set to '1' to indicate a full condition. (This will remain set until RelativeStateOfCharge drops below the **ClrFullyChrg** value in EEPROM.)
- RelativeStateOfCharge is set to 100%.
- ChargingCurrent is set to **ChrgCurrOff** value.
- SBDData value for MaxError is cleared to zero percent (0%).
- The TERMINATE\_CHARGE\_ALARM bit (bit 14) is set in BatteryStatus and an AlarmWarning broadcast is sent to the SMBus Host and Smart Battery Charger addresses.
- The **OverChrg** value is incremented for any charge received above 100% after a valid fully charged EOC condition.
- Control flags for internal operations are set to indicate a valid full charge condition was achieved.
- Other BatteryStatus or AlarmWarning flag bits may also be set depending on the conditions causing the EOC.
  - The charge timer, EOCTimer, is exceeded
  - Cell voltage is higher than **TCAVolt**

## 5.2 Temperature Algorithms

The PS501 SMBus Smart Battery IC provides multiple temperature alarm set points and charging conditions. The following EEPROM parameters control how the temperature alarms and charging conditions operate.

**HighTempAI:** When the measured temperature is greater than **HighTempAI**, the OVER\_TEMP\_ALARM is set. If the battery is charging, then the TERMINATE\_CHARGE\_ALARM is also set.

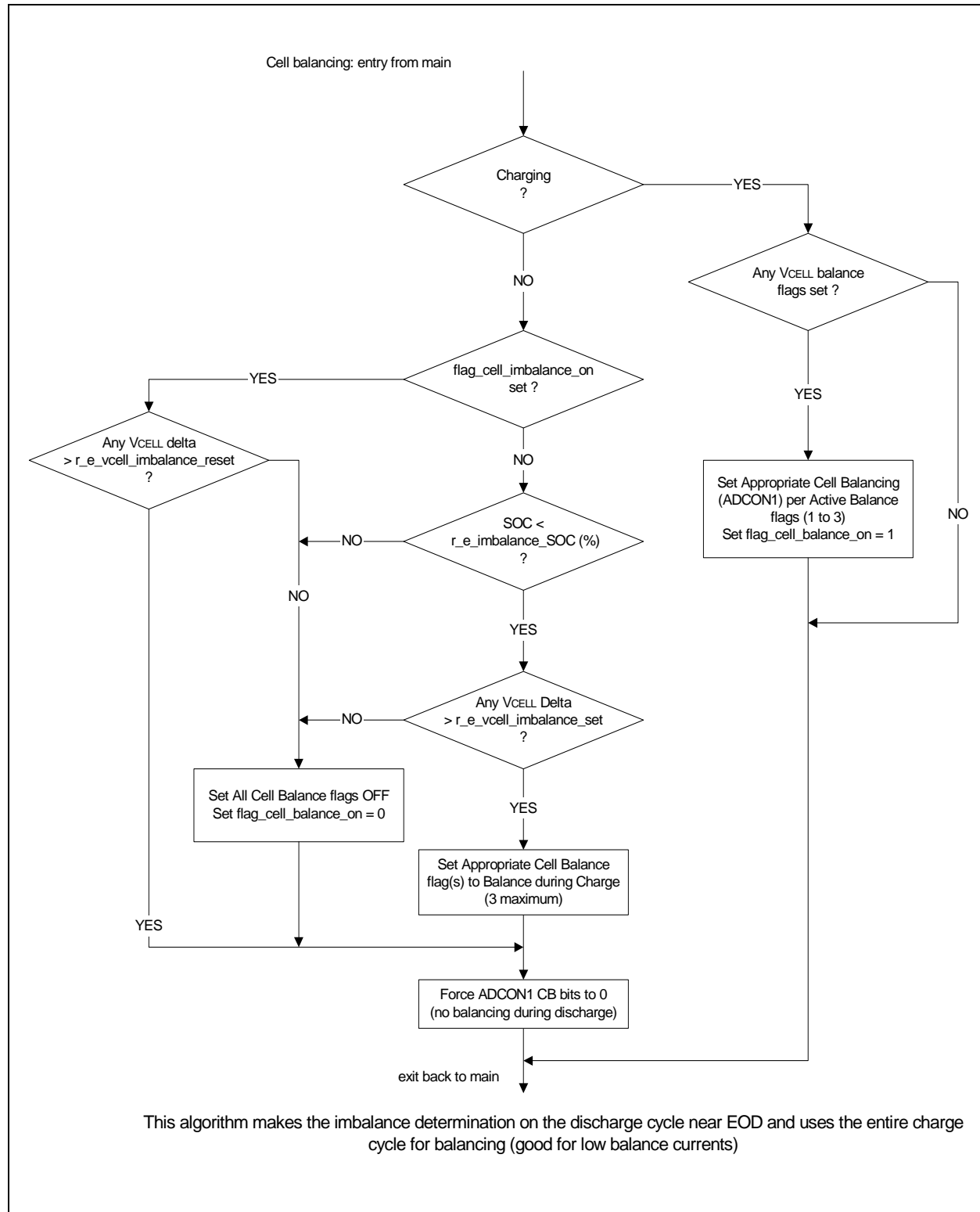
**ChrgMinTemp, DischrgMaxTemp and ChrgMaxTemp:** If the measured temperature is less than **ChrgMinTemp**, the ChargingCurrent is set to **ChrgCurrOff** and the ChargingVoltage is set to **ChrgVolt** to communicate to the charger that the non-charging state of current and voltage should be given. When measured temperature is greater than **ChrgMaxTemp** and the system is charging, or greater than **DischrgMaxTemp** and the system is discharging, then ChargingCurrent is set to **ChrgCurrOff** and the ChargingVoltage is set to **ChrgVoltOff** also. Otherwise, ChargingCurrent = **ChrgCurr** and ChargingVoltage = **ChrgVolt**.

## 6.0 CELL BALANCING

The PS501 has internal cell balancing loads with which to draw extra current away from higher voltage cells. There are internal 500 ohm resistors, which will draw up to 8.4 mA of current from each cell, depending on the cell voltage. The cell balancing algorithm will monitor individual cell voltages and the difference between them. When the difference between any cells exceeds the EEPROM parameter, **VcelldiffMax**, the resistor load will be applied to the higher cell until it is within **VcelldiffresetMax** of the lowest. Cell balancing will only be applied during the charging state to maintain run time during discharge.

Determination of cell balance requirement will be made near End-Of-Charge, when the capacity difference results in a cell voltage difference. Once this determination is made, cell balancing will commence on the charge cycle and remain in effect for the entire charge cycle. Upon discharging, cell balancing will be disabled to preserve run time. Once the near empty point is reached again, determination will be made as to whether correct hysteresis has been reached to disable the cell balancing for the next charge cycle.

**FIGURE 6-1: CELL BALANCING**



# PS501

## 7.0 GPIO CONFIGURATION

GPIOs can be set up to act as inputs or outputs that are based on conditions involving SBDData parameters or GPIO levels compared to constants. This powerful programming model allows for customizing GPIO to set on any possible fuel gauge conditions and reset on any other possible fuel gauge conditions in any groupings.

**TABLE 7-1: GPIO CONFIGURATIONS**

| Name          | Length | Definition  |
|---------------|--------|---|
| GPIOSTATE     | 2      | Initialized default state (positive logic)  |
| GPIODIRECTION | 2      | Initialized direction:<br>1 = input<br>0 = output   |
| GPIOCONFIG    | 2      | GPIO configuration<br>Bit 8:<br>1 = pull-ups/downs disabled<br>0 = pull-downs enabled<br>Bits 7:0:<br>if input:<br>1 = pulled down<br>0 = pulled up<br>if output:<br>1 = LED drive (GPIO0-7 only)<br>0 = standard logic |
| GPIOPOLARITY  | 2      | "Polarity" mask applied to invert positive logic  |

GPIOs configured above as standard logic output can be programmed to activate or reset in response to any group of fuel gauge conditions. Each "condition" is defined by 4 bytes.

**TABLE 7-2: GPIO CONDITIONS**

| Byte             | Condition           | Definition   |
|------------------|---------------------|--|
| Byte 1           | Flags               | bit 7: 1 signifies last condition in group<br>bit 4: Combination function (1:AND, 0:OR)<br>bit 3: Signed (1) or unsigned (0)<br>bits 2:0 Comparison function (0 : >, 1 : <, 2 : =, 3 : AND, 4 : NOR) |
| Byte 2           | Condition selection | x00-x3F – SBDData command code<br>x40 – State flags<br>x41 – GPIO flags<br>x42 – VCELL-min<br>x43 – VCELL-max<br>x44 – VCELL-diff<br>x45 – Misc. flags   |
| Byte 3<br>Byte 4 | Condition threshold | Constant   |



Each condition in the table is processed by applying a “comparison function” to the selected data (“condition selection”) and the given constant (“condition threshold”). The result of this operation (“true” or “false”) from each condition in the group is combined as dictated by the “AND-OR” “combination function” bit in the flag byte. Because the “AND” function has precedence over the “OR”, processing the CG can be described as OR’ing subgroups of ANDs (see Example 7-1 below).

One 8-bit timer (clocked at 500 msec) is associated with all 16 CSF(s). The timer compared to its threshold is an implied “AND” term to the CG (i.e., if processing

of the CG to set the CSF results in “true”, the timer is incremented and if timer  $\geq$  threshold, the SF is set; otherwise, the SF is not set even though the GC is satisfied). If processing of the CG to set the CSF results in “false”, the timer is set to zero. The timer is not allowed to increment past the threshold.

The conditions in the order they are stored in memory will build the activation equation until bit 7 of byte 1 is set, signifying the last condition of the group. At that point, the next group of conditions is the Reset equation. When the next to last condition bit is set, a new activation group begins.

## EXAMPLE 7-1: CONDITION GROUPS

### Example Condition Group:

(VCELL-min < 3200) .AND. (CURR > 100) .OR. (TEMP > 60) .AND. (CURR > 200)

because of precedence the equation would be interpreted:

((VCELL-min < 3200) .AND. (CURR > 100)) .OR. ((TEMP > 60) .AND. (CURR > 200))

### Example Reset Condition Group:

(VCELL-min > 3200) OR (CURR = 200)

**TABLE 7-3: CONDITIONS FOR EXAMPLE 7-1**

| Condition | Byte 1 | Byte 2 | Byte 3, 4 | Description                             |
|-----------|--------|--------|-----------|---|
| 1         | x01    | x42    | x0C80     | OR VCELL-min < 3200                     |
| 2         | x10    | x0A    | x0064     | AND CURR > 100                          |
| 3         | x00    | x08    | x0D02     | OR TEMP > 60°C (3330 degrees K * 10)    |
| 4         | x80    | x0A    | x00C8     | AND CURR > 200 (last condition bit set) |
| 1         | x00    | x42    | x0C80     | OR VCELL-min > 3200                     |
| 2         | x82    | x0A    | x00C8     | OR CURR = 200 (last condition bit set)  |

**TABLE 7-4: PARAMETERS**

| Name               | Length | Description                                       |
|--------------------|--------|---|
| SAFE_GPIO_MASK_00  | 2      | Mask applied to the CSF, if $\neq$ 0, GPIO is set |
| SAFE_GPIO_MASK_01  | 2      | Mask applied to the CSF, if $\neq$ 0, GPIO is set |
| SAFE_GPIO_MASK_02  | 2      | Mask applied to the CSF, if $\neq$ 0, GPIO is set |
| SAFE_GPIO_MASK_03  | 2      | Mask applied to the CSF, if $\neq$ 0, GPIO is set |
| SAFE_GPIO_MASK_04  | 2      | Mask applied to the CSF, if $\neq$ 0, GPIO is set |
| SAFE_GPIO_MASK_05  | 2      | Mask applied to the CSF, if $\neq$ 0, GPIO is set |
| SAFE_GPIO_MASK_06  | 2      | Mask applied to the CSF, if $\neq$ 0, GPIO is set |
| SAFE_GPIO_MASK_07  | 2      | Mask applied to the CSF, if $\neq$ 0, GPIO is set |
| SAFE_GPIO_MASK_08  | 2      | Mask applied to the CSF, if $\neq$ 0, GPIO is set |
| SAFE_GPIO_MASK_09  | 2      | Mask applied to the CSF, if $\neq$ 0, GPIO is set |
| SAFE_GPIO_MASK_10  | 2      | Mask applied to the CSF, if $\neq$ 0, GPIO is set |
| SAFE_GPIO_MASK_11  | 2      | Mask applied to the CSF, if $\neq$ 0, GPIO is set |
| SAFE_TIMER_LIMIT_0 | 1      | Timer threshold/limit (500 msec tics)             |
| SAFE_TIMER_LIMIT_1 | 1      |   |

**TABLE 7-4: PARAMETERS (CONTINUED)**

| Name                | Length | Description  |
|---------------------|--------|--|
| SAFE_TIMER_LIMIT_2  | 1      |  |
| SAFE_TIMER_LIMIT_3  | 1      |  |
| SAFE_TIMER_LIMIT_4  | 1      |  |
| SAFE_TIMER_LIMIT_5  | 1      |  |
| SAFE_TIMER_LIMIT_6  | 1      |  |
| SAFE_TIMER_LIMIT_7  | 1      |  |
| SAFE_TIMER_LIMIT_8  | 1      |  |
| SAFE_TIMER_LIMIT_9  | 1      |  |
| SAFE_TIMER_LIMIT_10 | 1      |  |
| SAFE_TIMER_LIMIT_11 | 1      |  |
| SAFE_TIMER_LIMIT_12 | 1      |  |
| SAFE_TIMER_LIMIT_13 | 1      |  |
| SAFE_TIMER_LIMIT_14 | 1      |  |
| SAFE_TIMER_LIMIT_15 | 1      |  |
| SAFE_FLAG_COUNT     | 1      | Number of CSF(s) to process, 0-16 (there must be 2 condition groups (CGs) per CSF) |
| SAFE_CONDITION      | 4      | Condition (start of table)   |
| ...                 | 4      | Condition  |
| SAFE_CONDITION      | 4      | Condition (end of table)   |

## 7.1 LED Parameters

When configured as LED drivers, the following parameters determine the State-Of-Charge at which each LED will turn on.

**TABLE 7-5: LED PARAMETERS**

| Name             | Length | Definition   |
|------------------|--------|--|
| LED_MASK         | 1      | Mask defining GPIO(s) used for LED display(s) (1 = LED)  |
| LED_VALUE_0      | 1      | GPIO 0 SOC value (SOC >= LED_VALUE, LED = on)  |
| LED_VALUE_1      | 1      | GPIO 1 SOC value (SOC >= LED_VALUE, LED = on)  |
| LED_VALUE_2      | 1      | GPIO 2 SOC value (SOC >= LED_VALUE, LED = on)  |
| LED_VALUE_3      | 1      | GPIO 3 SOC value (SOC >= LED_VALUE, LED = on)  |
| LED_VALUE_4      | 1      | GPIO 4 SOC value (SOC >= LED_VALUE, LED = on)  |
| LED_VALUE_5      | 1      | GPIO 5 SOC value (SOC >= LED_VALUE, LED = on)  |
| LED_VALUE_6      | 1      | GPIO 6 SOC value (SOC >= LED_VALUE, LED = on)  |
| LED_VALUE_7      | 1      | GPIO 7 SOC value (SOC >= LED_VALUE, LED = on)  |
| LED_ICHG         | 2      | Current threshold for LED display  |
| LED_DUTYCYCLE    | 1      | Duty cycle of LED drivers  |
| GPIO_SWITCHMASK  | 2      | Mask for switch input(s). If switch is active-high, all bits are '0' except switch pin. If switch is active-low, all bits are '1' except switch pin. |
| LED_DISPLAY_TIME | 1      | Number of 500 ms periods LEDs are lit after switch press   |

## 8.0 SMBus/SBData INTERFACE

The PS501 uses a two-pin System Management Bus (SMBus) protocol to communicate to the Host. One pin is the clock and one pin is the data. The SMBus port responds to all commands in the Smart Battery Data Specification (SBData). To receive information about the battery, the Host sends the appropriate commands to the SMBus port. Certain alarms, warnings and charging information may be sent to the Host by the PS501 automatically. The SMBus protocol is explained in this chapter. The SBData command set is summarized in Table 8-1.

The PS501 SMBus communications port is fully compliant with the System Management Bus Specification, Version 1.1 and supports all previous and new requirements, including bus time-outs (both slave and master), multi-master arbitration and collision detection/recovery. The SMBus port serves as a slave for both read and write functions, as well as a master for write word functions. SMBus slave protocols supported include read word, write word, read block and write block. Master mode supports write word protocols. The PS501 meets and exceeds the Smart Battery Data Specification, Version 1.1/1.1a requirements. The PS501 is compliant with System Management Bus Specification 1.0.

The PS501 fully implements the Smart Battery Data (SBData) Specification v1.1. The SBData Specification defines the interface and data reporting mechanism for an SBS compliant Smart Battery. It defines a consistent set of battery data to be used by a power management system to improve battery life and system run-time, while providing the user with accurate information. This is accomplished by incorporating fixed, measured, calculated and predicted values, along with charging and alarm messages, with a simple communications mechanism between a Host system, Smart Batteries and a Smart Charger.

The PS501 provides full implementation of the SBData set with complete execution of all the data functions, including sub-functions and control bits and flags, compliance to the accuracy and granularity associated with particular data values and proper SMBus protocols and timing.

## 8.1 SBData Function Description

The following subsections document the detailed operation of all of the individual SBData commands.

### 8.1.1 ManufacturerAccess (0x00)

Internal use only.

### 8.1.2 RemainingCapacityAlarm (0x01)

Sets or reads the low capacity alarm value. Whenever the remaining capacity falls below the low capacity alarm value, the Smart Battery sends alarm warning messages to the SMBus Host with the REMAINING\_CAPACITY\_ALARM bit set. A low capacity alarm value of '0' disables this alarm.

### 8.1.3 RemainingTimeAlarm (0x02)

Sets or reads the remaining time alarm value. Whenever the AverageTimeToEmpty falls below the remaining time value, the Smart Battery sends alarm warning messages to the SMBus Host with the REMAINING\_TIME\_ALARM bit set. A remaining time value of '0' disables this alarm.

# PS501

**TABLE 8-1: SMART BATTERY DATA FUNCTIONS**

| SBData Function Name                             | Command Code | Access | Parameter Reference                   | Units             |
|--|--------------|--------|---------------------------------------|-------------------|
| <u>ManufacturerAccess</u> – Write <sup>(1)</sup> | 0x00         | R/W    |                                       |                   |
| <u>ManufacturerAccess</u> – Read <sup>(1)</sup>  | 0x00         | R/W    |                                       |                   |
| <u>RemainingCapacityAlarm</u>                    | 0x01         | R/W    | <b>RemCapAI</b>                       | mAh or 10 mWh     |
| <u>RemainingTimeAlarm</u>                        | 0x02         | R/W    | <b>RemTimeAI</b>                      | Minutes           |
| <u>BatteryMode</u>                               | 0x03         | R/W    |                                       | Bit code          |
| <u>AtRate</u>                                    | 0x04         | Read   |                                       | mAh or 10 mWh     |
| <u>AtRateTimeToFull</u>                          | 0x05         | Read   |                                       | Minutes           |
| <u>AtRateTimeToEmpty</u>                         | 0x06         | Read   |                                       | Minutes           |
| <u>AtRateOK</u>                                  | 0x07         | Read   |                                       | Binary 0/1 (LSB)  |
| <u>Temperature</u>                               | 0x08         | Read   |                                       | 0.1°K             |
| <u>Voltage</u>                                   | 0x09         | Read   |                                       | mV                |
| <u>Current</u>                                   | 0x0a         | Read   |                                       | mA                |
| <u>AverageCurrent</u>                            | 0x0b         | Read   |                                       | mA                |
| <u>MaxError</u>                                  | 0x0c         | Read   |                                       | %                 |
| <u>RelativeStateOfCharge</u>                     | 0x0d         | Read   |                                       | %                 |
| <u>AbsoluteStateOfCharge</u>                     | 0x0e         | Read   |                                       | %                 |
| <u>RemainingCapacity</u>                         | 0x0f         | Read   |                                       | mAh or 10 mWh     |
| <u>FullChargeCapacity</u>                        | 0x10         | Read   |                                       | mAh or 10 mWh     |
| <u>RunTimeToEmpty</u>                            | 0x11         | Read   |                                       | Minutes           |
| <u>AverageTimeToEmpty</u>                        | 0x12         | Read   |                                       | Minutes           |
| <u>AverageTimeToFull</u>                         | 0x13         | Read   |                                       | Minutes           |
| <u>ChargingCurrent</u>                           | 0x14         | Read   | <b>ChrgCurr</b> or <b>ChrgCurrOff</b> | mA                |
| <u>ChargingVoltage</u>                           | 0x15         | Read   | <b>ChrgVolt</b> or <b>ChrgVoltOff</b> | mV                |
| <u>BatteryStatus</u>                             | 0x16         | Read   | <b>BatStatus</b>                      | Bit code          |
| <u>CycleCount</u>                                | 0x17         | Read   | <b>Cycles</b>                         | Integer           |
| <u>DesignCapacity</u>                            | 0x18         | Read   | <b>DesignCapacity</b>                 | mAh or 10 mWh     |
| <u>DesignVoltage</u>                             | 0x19         | Read   | <b>DesignVPack</b>                    | mV                |
| <u>SpecificationInfo</u>                         | 0x1a         | Read   | <b>SBDataVersion</b>                  | Coded             |
| <u>ManufactureDate</u>                           | 0x1b         | Read   | <b>Date</b>                           | Coded             |
| <u>SerialNumber</u>                              | 0x1c         | Read   | <b>SerialNumber</b>                   | Not specified     |
| Reserved   | —            | —      | —                                     | —                 |
| <u>ManufacturerName</u>                          | 0x20         | Read   | <b>MFGName</b>                        | ASCII text string |
| <u>DeviceName</u>                                | 0x21         | Read   | <b>DeviceName</b>                     | ASCII text string |
| <u>DeviceChemistry</u>                           | 0x22         | Read   | <b>Chemistry</b>                      | ASCII text string |
| <u>ManufacturerData</u>                          | 0x23         | Read   | <b>MFGData</b>                        | Hex string        |
| <u>OptionalMfgFunction4</u>                      | 0x3c         | Read   | V1 Cell Voltage                       | mV                |
| <u>OptionalMfgFunction3</u>                      | 0x3d         | Read   | V2 Cell Voltage                       | mV                |
| <u>OptionalMfgFunction2</u>                      | 0x3e         | Read   | V3 Cell Voltage                       | mV                |
| <u>OptionalMfgFunction1</u>                      | 0x3f         | Read   | V4 Cell Voltage                       | mV                |

**Note 1:** Reserved.

#### 8.1.4 BatteryMode (0x03)

This function selects the various battery operational modes and reports the battery's capabilities, modes and condition.

##### **Bit 0:** INTERNAL\_CHARGE\_CONTROLLER

Bit set indicates that the battery pack contains its own internal charge controller. When the bit is set, this optional function is supported and the CHARGE\_CONTROLLER\_ENABLED bit will be activated.

##### **Bit 1:** PRIMARY\_BATTERY\_SUPPORT

Bit set indicates that the battery pack has the ability to act as either the primary or secondary battery in a system. When the bit is set, this optional function is supported and the PRIMARY\_BATTERY bit will be activated.

##### **Bit 2-6:** Reserved

##### **Bit 7:** CONDITION\_FLAG

Bit set indicates that the battery is requesting a conditioning cycle. This typically will consist of a full charge to full discharge, back to full charge of the pack. The battery will clear this flag after it detects that a conditioning cycle has been completed.

##### **Bit 8:** CHARGE\_CONTROLLER\_ENABLED

Bit is set to enable the battery pack's internal charge controller. When this bit is cleared, the internal charge controller is disabled (default). This bit is active only when the INTERNAL\_CHARGE\_CONTROLLER bit is set.

##### **Bit 9:** PRIMARY\_BATTERY

Bit is set to enable a battery to operate as the primary battery in a system. When this bit is cleared, the battery operates in a secondary role (default). This bit is active only when the PRIMARY\_BATTERY\_SUPPORT bit is set.

##### **Bit 10-12:** Reserved

##### **Bit 13:** ALARM\_MODE

Disables the Smart Battery's transmission of the BatteryStatus bits on an alarm condition. Will reset to enabled after 60 seconds.

##### **Bit 14:** CHARGER\_MODE

Enables or disables the Smart Battery's transmission of ChargingCurrent and ChargingVoltage messages to the Smart Battery Charger. When set, the Smart Battery will not transmit ChargingCurrent and ChargingVoltage values to the charger. When cleared, the Smart Battery will transmit the ChargingCurrent and ChargingVoltage values to the charger when charging is desired.

##### **Bit 15:** CAPACITY\_MODE

Indicates if capacity information will be reported in mA/Mh or 10 mW/10 mWh. When set, the capacity information will be reported in 10 mW/10 mWh. When cleared, the capacity information will be reported in mA/mAh.

#### 8.1.5 AtRate (0x04)

AtRate is a value of current or power that is used by three other functions: AtRateTimeToFull, AtRateTimeToEmpty and AtRateOK:

- AtRateTimeToFull returns the predicted time to full charge at the AtRate value of charge current.
- AtRateTimeToEmpty function returns the predicted operating time at the AtRate value of discharge current.
- AtRateOK function returns a Boolean value that predicts the battery's ability to supply the AtRate value of additional discharge current for 10 seconds.

#### 8.1.6 AtRateTimeToFull (0x05)

Returns the predicted remaining time to fully charge the battery at the AtRate value (mA). The AtRateTimeToFull function is part of a two-function call set used to determine the predicted remaining charge time at the AtRate value in mA. It will be used immediately after the SMBus Host sets the AtRate value.

#### 8.1.7 AtRateTimeToEmpty (0x06)

Returns the predicted remaining operating time if the battery is discharged at the AtRate value. The AtRateTimeToEmpty function is part of a two-function call set used to determine the remaining operating time at the AtRate value. It will be used immediately after the SMBus Host sets the AtRate value.

#### 8.1.8 AtRateOK (0x07)

Returns a Boolean value that indicates whether or not the battery can deliver the AtRate value of additional energy for 10 seconds (Boolean). If the AtRate value is zero or positive, the AtRateOK function will always return true. The AtRateOK function is part of a two-function call set used by power management systems to determine if the battery can safely supply enough energy for an additional load. It will be used immediately after the SMBus Host sets the AtRate value.

#### 8.1.9 Temperature (0x08)

Returns the cell pack's internal temperature in units of 0.1°K.

#### 8.1.10 Voltage (0x09)

Returns the pack voltage (mV).

#### 8.1.11 Current (0x0a)

Returns the current being supplied (or accepted) through the battery's terminals (mA).

## 8.1.12 AverageCurrent (0x0b)

Returns a one-minute rolling average based on at least 60 samples of the current being supplied (or accepted) through the battery's terminals (mA).

## 8.1.13 MaxError (0x0c)

Returns the expected margin of error (%) in the State-Of-Charge calculation. For example, when MaxError returns 10% and RelativeStateOfCharge returns 50%, the RelativeStateOfCharge is actually between 50% and 60%. The MaxError of a battery is expected to increase until the Smart Battery identifies a condition that will give it higher confidence in its own accuracy. For example, when a Smart Battery senses that it has been fully charged from a fully discharged state, it may use that information to reset or partially reset MaxError. The Smart Battery can signal when MaxError has become too high by setting the CONDITION\_FLAG bit in BatteryMode.

## 8.1.14 RelativeStateOfCharge (0x0d)

Returns the predicted remaining battery capacity expressed as a percentage of FullChargeCapacity (%).

## 8.1.15 AbsoluteStateOfCharge (0x0e)

Returns the predicted remaining battery capacity expressed as a percentage of DesignCapacity (%). Note that AbsoluteStateOfCharge can return values greater than 100%.

## 8.1.16 RemainingCapacity (0x0f)

Returns the predicted remaining battery capacity. The RemainingCapacity value is expressed in either current (mAh) or power (10 mWh), depending on the setting of the BatteryMode's CAPACITY\_MODE bit.

## 8.1.17 FullChargeCapacity (0x10)

Returns the predicted pack capacity when it is fully charged. It is based on either current or power, depending on the setting of the BatteryMode's CAPACITY\_MODE bit.

## 8.1.18 RunTimeToEmpty (0x11)

Returns the predicted remaining battery life at the present rate of discharge (minutes). The RunTimeToEmpty value is calculated based on either current or power, depending on the setting of the BatteryMode's CAPACITY\_MODE bit. This is an important distinction because use of the wrong calculation mode may result in inaccurate return values.

## 8.1.19 AverageTimeToEmpty (0x12)

Returns a one-minute rolling average of the predicted remaining battery life (minutes). The AverageTimeToEmpty value is calculated based on either current or power, depending on the setting of the

BatteryMode's CAPACITY\_MODE bit. This is an important distinction because use of the wrong calculation mode may result in inaccurate return values.

## 8.1.20 AverageTimeToFull (0x13)

Returns a one-minute rolling average of the predicted remaining time until the Smart Battery reaches full charge (minutes).

## 8.1.21 ChargingCurrent (0x14)

Sets the maximum charging current for the Smart Charger to charge the battery. This can be written to the Smart Charger from the Smart Battery or requested by the Smart Charger from the battery.

## 8.1.22 ChargingVoltage (0x15)

Sets the maximum charging voltage for the Smart Charger to charge the battery. This can be written to the Smart Charger from the Smart Battery or requested by the Smart Charger from the battery.

## 8.1.23 BatteryStatus (0x16)

Returns the Smart Battery's status word (flags). Some of the BatteryStatus flags, like REMAINING\_CAPACITY\_ALARM and REMAINING\_TIME\_ALARM, are calculated based on either current or power, depending on the setting of the BatteryMode's CAPACITY\_MODE bit. This is important because use of the wrong calculation mode may result in an inaccurate alarm. The BatteryStatus function is used by the power management system to get alarm and status bits, as well as error codes, from the Smart Battery. This is basically the same information returned by the SBData AlarmWarning function except that the AlarmWarning function sets the error code bits all high before sending the data. Also, information broadcasting is disabled in the PS501.

### **Battery Status Bits:**

- bit 15:** OVER\_CHARGED\_ALARM
- bit 14:** TERMINATE\_CHARGE\_ALARM
- bit 13:** Reserved
- bit 12:** OVER\_TEMP\_ALARM
- bit 11:** TERMINATE\_DISCHARGE\_ALARM
- bit 10:** Reserved
- bit 9:** REMAINING\_CAPACITY\_ALARM
- bit 8:** REMAINING\_TIME\_ALARM
- bit 7:** INITIALIZED
- bit 6:** DISCHARGING
- bit 5:** FULLY\_CHARGED
- bit 4:** FULLY\_DISCHARGED

The Host system assumes responsibility for detecting and responding to Smart Battery alarms by reading the BatteryStatus to determine if any of the alarm bit flags are set. At a minimum, this requires the system to poll the Smart Battery BatteryStatus every 10 seconds at all times the SMBus is active.

## 8.1.24 CycleCount (0x17)

CycleCount is updated to keep track of the total usage of the battery. CycleCount is increased whenever an amount of charge has been delivered to, or removed from, the battery equivalent to the full capacity.

## 8.1.25 DesignCapacity (0x18)

Returns the theoretical capacity of a new pack. The DesignCapacity value is expressed in either current or power, depending on the setting of the BatteryMode's CAPACITY\_MODE bit.

## 8.1.26 DesignVoltage (0x19)

Returns the theoretical voltage of a new pack (mV).

## 8.1.27 SpecificationInfo (0x1a)

Returns the version number of the Smart Battery specification the battery pack supports.

## 8.1.28 ManufactureDate (0x1b)

This function returns the date the cell pack was manufactured in a packed integer. The date is packed in the following fashion: (year-1980) \* 512 + month \* 32 + day.

## 8.1.29 SerialNumber (0x1c)

This function is used to return a serial number. This number, when combined with the ManufacturerName, the DeviceName and the ManufactureDate, will uniquely identify the battery.

## 8.1.30 ManufacturerName (0x20)

This function returns a character array containing the battery manufacturer's name.

## 8.1.31 DeviceName (0x21)

This function returns a character string that contains the battery's name.

## 8.1.32 DeviceChemistry (0x22)

This function returns a character string that contains the battery's chemistry. For example, if the DeviceChemistry function returns "NiMH", the battery pack would contain nickel metal hydride cells. The following is a partial list of chemistries and their expected abbreviations. These abbreviations are not case sensitive.

Lead Acid: PbAc  
Lithium Ion: LION  
Nickel Cadmium: NiCd  
Nickel Metal Hydride: NiMH  
Nickel Zinc: NiZn  
Rechargeable Alkaline-Manganese: RAM  
Zinc Air: ZnAr

## 8.1.33 ManufacturerData (0x23)

This function allows access to the manufacturer data contained in the battery (data).

## 8.1.34 OptionalMfgFunction

The PS501 includes new SBData functions using the OptionalMfgFunction command codes. The command codes, 3C hex to 3F hex, report the individual cell voltages as measured by the analog-to-digital converter. These voltages are reported in mV and are calculated to include compensation for calibration and sense resistance voltage drops. Only one cell voltage is measured per measurement cycle (depending on Run or Sample mode operation).

Rapid voltage changes will see some variation in voltages due to the delay of measurement. These voltage values may be used for cell balancing or other functions as the Host system may desire.

# PS501

**TABLE 8-2: PS501 ALARMS AND STATUS SUMMARY**

| Battery Status                | Set Condition  | Clear Condition  |
|-------------------------------|--|--|
| FULLY_CHARGED bit             | Set at End-Of-Charge Condition:<br>Charge FET off<br>AND<br>Any VC(x) input > 4.175V<br>AND<br>IAVG < EOC_IAVG for <b>ChrgCntrlTimer</b> number of consecutive counts  | <u>RelativeStateOfCharge</u> ( ) < <b>ClrFullyChrg</b><br>(default RSOC = 80%)   |
| OVER_CHARGED_ALARM bit        | VCELLX > <b>TCAVolt</b> (default 4.5V/Cell)  | All VCELLX < <b>TCAVolt</b>  |
| TERMINATE_CHARGE_ALARM bit    | VCELLX > <b>TCAVolt</b> (default 4.5V/Cell)<br>OR<br>Charging Temperature ( ) > <b>ChrgMaxTemp</b> (default 60°C)<br>OR<br>FULLY_CHARGED bit = 1   | All VCELLX < <b>TCAVolt</b><br>AND<br><u>Temperature</u> ( ) < <b>ChrgMaxTemp</b><br>AND<br><u>Current</u> ( ) = < 0                             |
| OVER_TEMP_ALARM bit           | <u>Temperature</u> ( ) > <b>HighTempAI</b> (default 55°C)  | <u>Temperature</u> ( ) < <b>HighTempAI</b>   |
| TERMINATE_DISCHARGE_ALARM bit | Primary Method:<br>VCELLX < VEOD1 (per look-up table)<br>AND<br>Above condition continues for <b>NearEODRecheck</b> time.<br>Secondary Method:<br>VCELLX < VEOD2 (default 3.1V/Cell)<br>AND<br>Above condition continues for <b>EODRecheck</b> time. | Primary Method:<br>All VCELLX > VEOD1<br>OR<br><u>Current</u> ( ) > 0<br>Secondary Method:<br>All VCELLX > VEOD2<br>OR<br><u>Current</u> ( ) > 0 |
| REMAINING_CAPACITY_ALARM bit  | <u>RemainingCapacity</u> ( ) < <u>RemainingCapacityAlarm</u> ( )   | <u>RemainingCapacity</u> ( ) > <u>RemainingCapacityAlarm</u> ( )   |
| REMAINING_TIME_ALARM bit      | <u>AverageTimeToEmpty</u> ( ) < <u>RemainingTimeAlarm</u> ( )  | <u>AverageTimeToEmpty</u> ( ) > <u>RemainingTimeAlarm</u> ( )  |
| FULLY_DISCHARGED bit          | <u>RemainingCapacity</u> ( ) = 0   | <u>RelativeStateOfCharge</u> ( ) > <b>ClrFullyDischrg</b><br>(default RSOC = 20%)  |

**TABLE 8-3: Temperature, ChargingCurrent ( ) AND ChargingVoltage ( ) SUMMARY**

| <u>Temperature</u> ( ) > <b>HighTempAI</b> (default 60°C) |  |
|---|--|
| Charging  | Discharging                                |
| TERMINATE_CHARGE_ALARM and OVER_TEMP_ALARM                | OVER_TEMP_ALARM                            |
| Cleared   | <u>Temperature</u> ( ) < <b>HighTempAI</b> |

| <u>Temperature</u> ( ) > <b>ChrgMaxTemp</b><br>(default 50°C)                                      | <u>Temperature</u> ( ) > <b>DischrgMaxTemp</b><br>(default 65°C) |
|--|--|
| Charging   | Discharging  |
| <u>ChargingCurrent</u> ( ) = <b>ChrgCurrOff</b><br><u>ChargingVoltage</u> ( ) = <b>ChrgVoltOff</b> |  |

| <u>Temperature</u> ( ) < <b>ChrgMinTemp</b>   |
|---|
| <u>ChargingCurrent</u> ( ) = <b>ChrgCurrOff</b><br><u>ChargingVoltage</u> ( ) = <b>ChrgVolt</b> |

For all other temperature conditions: ChargingCurrent ( ) = **ChrgCurr**  
ChargingVoltage ( ) = **ChrgVolt**



## 9.0 PARAMETER SETUP

This section documents all of the programmable parameters that are resident in the EEPROM. The Parameter Set is organized into the following functional groups:

1. Pack Information
2. Capacity Calculations
3. EOD and FCC Relearn
4. Charge Control
5. GPIO
6. PS501 Settings
7. SBData Settings
8. Calibration

**TABLE 9-1: PACK INFORMATION**

| Parameter Name        | # Bytes | Lower Limit | Upper Limit | Typical Value | Operational Description   |
|-----------------------|---------|-------------|-------------|---------------|---|
| <b>BatStatus</b>      | 1       | 0           | 255         | b01000000     | Lower byte of SBData register for <u>BatteryStatus</u> .  |
| <b>Cells</b>          | 1       | 0           | 255         | 4             | Number of cells in the battery pack.  |
| <b>Chemistry</b>      | 4       | —           | —           | LION          | SBS data for chemistry. Can be any ASCII string. The chemistry name can be programmed here and retrieved with the SBData <u>DeviceChemistry</u> command.  |
| <b>Date</b>           | 2       | 0           | 65535       | 0x3042        | SBData value for <u>ManufactureDate</u> . The date of manufacture of the battery pack can be programmed here and retrieved with the SBData <u>ManufactureDate</u> command.<br>Coding: Date = (Year-1980) x 512 + Month x 32 + Day |
| <b>DesignCapacity</b> | 2       | 0           | 65535       | 4400          | SBData value for <u>DesignCapacity</u> . This is the first capacity loaded into the <u>FullChargeCapacity</u> upon power-up.  |
| <b>DesignVPack</b>    | 2       | 0           | 65535       | 14800         | SBData value for <u>DesignVoltage</u> .   |
| <b>DeviceName</b>     | 8       | —           | —           | PS501         | SBData value for <u>DeviceName</u> . Can be any ASCII string. The battery circuit device name can be programmed here and retrieved with the SBData <u>DeviceName</u> command.   |
| <b>MFGData</b>        | 4       | —           | —           | 0x0           | SBS string for <u>ManufacturerData</u> .  |
| <b>MFGName</b>        | 10      | —           | —           | Microchip     | SBS string for <u>ManufacturerName</u> . Can be any ASCII string, typically the name of the battery pack manufacturer. Length of string is defined by <u>MfgNameLength</u> .  |
| <b>PackRes</b>        | 2       | 0           | 65535       | 65            | Resistance of pack.   |
| <b>PW1</b>            | 2       | 0           | 65535       | AA4D          | First password for the battery pack lock.   |
| <b>PW2</b>            | 2       | 0           | 65535       | D4AA          | Second password for the battery pack lock.  |
| <b>SpecInfo</b>       | 2       | 0           | 65535       | 33            | Specification info according to SBS Spec. 0011, refers to Smart Battery Specification version 1.1.  |
| <b>SerialNumber</b>   | 2       | 0           | 65535       | 100           | SBData value for <u>SerialNumber</u> . The serial number of the battery pack can be programmed here and retrieved with the SBData <u>SerialNumber</u> command.  |

**TABLE 9-2: CAPACITY CALCULATIONS**

| Parameter Name        | # Bytes | Lower Limit | Upper Limit | Typical Value | Operational Description   |
|-----------------------|---------|-------------|-------------|---------------|---|
| <b>CurrError</b>      | 1       | 0           | 255         | 1             | Current measurement error. This is the error due to the accuracy of the A/D converter to measure and integrate the current, 255 = 24.9%.  |
| <b>Cycles</b>         | 2       | 0           | 65535       | 0             | SBData register for <u>CycleCount</u> . <b>Cycles</b> is updated to keep track of the total usage of the battery. <b>Cycles</b> is increased whenever an amount of charge has been delivered to or removed from the battery, equivalent to the full capacity. For a 4000 mAh battery, <b>Cycles</b> is increased every time 4000 mAh goes through the battery terminals in any direction.   |
| <b>InitialCap</b>     | 2       | 0           | 65535       | 2048          | The initial capacity of the battery. When the PS501 is first powered up and initialized, before a learning cycle takes place to learn the full capacity, the full capacity will take the value programmed into <b>InitialCap</b> to compute relative State-Of-Charge percentage.  |
| <b>LowCurrError</b>   | 1       | 0           | 255         | 25            | Current offset for error calculation. Since the error of the A/D converter is proportional to the level of current it is measuring, the error term can be too low when the current is very low. For this reason, the <b>LowCurrError</b> will compensate the ERR term for low currents. <b>LowCurrError</b> milli-Amps are added to the current when factoring in the error. Thus, the error is:<br>Error = (Current + <b>LowCurrError</b> ) * <b>CurrError</b> .   |
| <b>NChangeState</b>   | 1       | 0           | 255         | 8             | State change delay filter. Delays the change between "charge increasing" state and "charge decreasing" state based on current direction. To avoid problems with current spikes in opposite directions, a delay filter is built-in to control when to change from charging status to discharging status. The current must change directions and stay in the new direction for CST_DELAY * period before the status is changed and capacity is increased or decreased as a result of the new current direction. |
| <b>NullCurr</b>       | 1       | 0           | 255         | 3             | A zero zone control is built into the PS501 so that any small inaccuracy doesn't actually drain the gas gauge, when in fact the current is zero. For this reason, current less than <b>NullCurr</b> mA in either direction will be measured as zero.  |
| <b>PwrConsumption</b> | 1       | 0           | 65535       | 140           | Current consumption of the battery module. This is the average current that the battery module typically draws from the battery (255 = 1 mA).   |
| <b>SelfDischrgErr</b> | 1       | 0           | 255         | 1             | Self-discharge error. This is the error inherent in the ability of the self-discharge look-up tables to meet actual battery characteristics, 255 = 100%.  |

TABLE 9-3: EOD AND FCC RELEARN

| Parameter Name        | # Bytes | Lower Limit | Upper Limit | Typical Value | Operational Description   |
|-----------------------|---------|-------------|-------------|---------------|---|
| <b>ADLNearEmpty</b>   | 2       | 0           | 65535       | 3600          | Cell voltage at which A/D switches to emphasize voltage over current measurement near EOD (mV).   |
| <b>ADLNearFull</b>    | 2       | 0           | 65535       | 4000          | Cell voltage at which A/D switches to emphasize voltage over current measurement near EOC (mV).   |
| <b>EOD1Cap</b>        | 2       | 0           | 65535       | 150           | The capacity that remains in the battery at <b>EOD1Voltage</b> . This is typically a small amount used to power a shutdown sequence for the system.   |
| <b>EOD1Voltage</b>    | 2       | 0           | 65535       | 3100          | Voltage for EOD1 fixed voltage point (mV).  |
| <b>EOD1Recheck</b>    | 1       | 0           | 255         | 6             | Delay filter for the EOD1 condition. Number of checks before EOD1 trigger. The End-Of-Discharge conditions must remain for at least this number of periods before being considered true, to help filter out false empty conditions due to spikes. EOD1 condition is based on the Variable Voltage Look-up Table or <b>EOD1Voltage</b> .   |
| <b>EOD2Recheck</b>    | 1       | 0           | 255         | 6             | Delay filter for EOD2 condition; EOD2 is based on <b>Vempty</b> .   |
| <b>FullCapacity</b>   | 2       | 0           | 65535       | 4150          | Learned value of battery capacity. Used for SBData value of <b>FullChargeCapacity</b> . This is a learned parameter which is the equivalent of all charge counted from fully charged to fully discharged, including self-discharge and error terms. This is reset after a learning cycle and used for remaining capacity and relative State-Of-Charge calculations.   |
| <b>RelearnCurrLim</b> | 2       | 0           | 65535       | 10,000        | Value of measured current that prevents a capacity relearn from occurring when a terminate discharge alarm condition is reached at End-Of-Discharge (EOD). A learning cycle will happen when the battery discharges from fully charged, all the way to fully discharged, with no charging in between and the discharge current never exceeds <b>RelearnCurrLim</b> (Example: 3000). A relearn will only occur if current does not exceed 3000 mA. |
| <b>RelearnLimit</b>   | 1       | 0           | 255         | 205           | The maximum relearn limit. The maximum percentage that the FULL_CAPACITY can change after a learning cycle, where 255 = 100%.   |
| <b>RelearnMaxErr</b>  | 2       | 0           | 65535       | 300           | Maximum error for learning <b>FullCapacity</b> . The FULL_CAPACITY will not be learned after a learning cycle if the error is too great.  |
| <b>RLCycles</b>       | 1       | 0           | 255         | 2             | The number of initial cycles without <b>RelearnLimit</b> . The initial number of cycles where <b>RelearnLimit</b> is not active. <b>FullCapacity</b> can vary more greatly with the first learning cycle since the initial capacity may not be correct, thus this should be set to at least '2'.  |
| <b>Vempty</b>         | 2       | 0           | 65535       | 3000          | Second and final End-Of-Discharge voltage point. At this point, remaining capacity is optionally set to '0'.  |

**TABLE 9-4: CHARGE CONTROL**

| Parameter Name         | # Bytes | Lower Limit | Upper Limit | Typical Value | Operational Description   |
|------------------------|---------|-------------|-------------|---------------|---|
| <b>ChrgCurr</b>        | 2       | 0           | 65535       | 3000          | This is the full charging current that the battery requires during normal charging. It can be broadcasted to the charger or read from the PS501.  |
| <b>ChrgCurrOff</b>     | 2       | 0           | 65535       | 0             | Trickle charging current. This is a small amount of current that the charger should deliver when full charging needs to be halted temporarily due to high temperature.  |
| <b>ChrgMaxTemp</b>     | 1       | 0           | 255         | 235           | Temperature threshold when charging, Coded value = (Celsius * 10 + 200)/4. When the temperature exceeds <b>ChrgMaxTemp</b> and the battery is charging, then <u>ChargingCurrent</u> is set to <b>ChrgCurrOff</b> and <u>ChargingVoltage</u> is set to <b>ChrgVoltOff</b> .  |
| <b>ChrgMinTemp</b>     | 1       | 0           | 255         | 50            | Low temperature threshold, Charging coded value = (Celsius * 10 + 200)/4. When charging, if the temperature is less than <b>ChrgMinTemp</b> , then <u>ChargingCurrent</u> is set to <b>ChrgCurrOff</b> and <u>ChargingVoltage</u> is set to <b>ChrgVoltOff</b> .  |
| <b>ChrgVolt</b>        | 2       | 0           | 65535       | 16800         | This is the voltage required by the battery during normal charging.   |
| <b>ChrgVoltOff</b>     | 2       | 0           | 65535       | 16800         | Voltage required when charging should be halted.  |
| <b>ClrFullyChrg</b>    | 1       | 0           | 255         | 90            | Reset FULLY_CHARGED bit at this level, 100 = 100%. Once the FULLY_CHARGED bit is set, taper or pulse current will not be monitored any more. When discharging begins, the FULLY_CHARGED bit must remain set until the cell voltages are below EOC_VOLT so that a small current will not trigger a false End-Of-Charge trigger. Thus, <b>ClrFullyChrg</b> is set at about 90%. FULLY_CHARGED bit will be on until the battery has discharged to less than 90%. |
| <b>ClrFullyDischrg</b> | 1       | 0           | 255         | 10            | Reset FULLY_DISCHARGED bit, 100 = 100%. Once fully discharged bit is set, it will stay set until capacity rises above this value, typically 10%.  |
| <b>EOCCurAvg</b>       | 2       | 0           | 65535       | 200           | EOC trigger for pulse charging. If the average current during charging, with the CFET turned off, has dropped below the <b>AvgCurrEOCThresh</b> threshold for a pass count equal to the EEPROM parameter value <b>ChrgCntrlTimr</b> (typically between 8 and 16), the End-Of-Charge state will be reached.  |
| <b>EOCRecheck</b>      | 1       | 0           | 255         | 6             | Delay filter for the EOC condition. Number of checks before EOC trigger. The End-Of-Charge conditions must remain for at least this number of periods before being considered true, to help filter out false full conditions due to spikes.   |
| <b>EOCVolt</b>         | 2       | 0           | 65535       | 4175          | EOC trigger cell voltage. When any cell in the battery pack reaches this voltage, the End-Of-Charge determination will start monitoring the average current to determine when the battery is full. When the average current is in the proper range and the cell voltage is greater than EOC_VOLT, then FULLY_CHARGED bit in <u>BatteryStatus</u> will be set and terminate charge alarm will be active.   |
| <b>MaxTemp</b>         | 1       | 0           | 65535       | 750           | Maximum temperature measured (including external and internal sensor). Coded value = (Celsius * 10 + 200)/4. This is where the PS501 keeps track of the highest temperature it has measured.  |

TABLE 9-4: CHARGE CONTROL (CONTINUED)

| Parameter Name        | # Bytes | Lower Limit | Upper Limit | Typical Value | Operational Description   |
|-----------------------|---------|-------------|-------------|---------------|---|
| <b>PrechargeCurr</b>  | 2       | 0           | 65535       | 100           | Precharge current required. Posted to SBData <u>ChargingCurrent</u> during precharge conditions.  |
| <b>PrechargeMax</b>   | 2       | 0           | 65535       | 500           | Maximum precharge current allowed. When exceeded under precharge conditions, SBData <u>ChargingCurrent</u> is set to zero.  |
| <b>PrechargeTemp</b>  | 1       | 0           | 255         | 60            | Precharge temperature, Coded value = (Celsius * 10 + 200)/4. This is the temperature under which precharging should occur.  |
| <b>PrechargeVCell</b> | 2       | 0           | 65535       | 2500          | Precharge cell voltage. This is the voltage under which precharging should occur.   |
| <b>SOCThreshold</b>   | 1       | 0           | 255         | 125           | Second EOC trigger based on State-Of-Charge, 100 = 100%. A second End-Of-Charge trigger is built into the PS501, such that if the State-Of-Charge exceeds a certain value, End-Of-Charge will be forced, even if the taper or pulse current was not detected. When State-Of-Charge reaches <u>SOCThreshold</u> , then End-Of-Charge will trigger. |
| <b>StableCurr</b>     | 1       | 0           | 255         | 50            | EOC trigger current deviation level. In order to prevent current spikes from causing a premature taper current trigger, the average current and the instantaneous current must be within <b>StableCurr</b> of each other for the End-Of-Charge to trigger on the taper current.   |
| <b>TaperCRate</b>     | 6       | 0           | 255         | 3             | Upper limit EOC taper current based on temperature, <b>TaperCRate</b> = 64/1C. Example: If 1C = 2200 and <b>TaperCRate</b> = 3, then the upper limit for taper window is 3/64 * 2200 = 103 mA.  |
| <b>TaperLow</b>       | 1       | 0           | 255         | 1             | Lower limit EOC taper current, <b>TaperLow</b> = 64/1C. Example: If 1C = 2200 and <b>TaperLow</b> = 1, then the lower limit for taper window is 1/64 * 2200 = 34 mA.  |
| <b>TaperTemp</b>      | 5       | 0           | 255         | 125           | Temperature corresponding to <b>TaperCRate</b> byte, <b>TaperTemp</b> = (temp. °C * 10 + 200)/4. Example: <b>TaperTemp</b> = 100 [(100 * 4 – 200)/10 = 20°C].   |

**TABLE 9-5: PS501 SETTINGS**

| Parameter Name | # Bytes  | Lower Limit | Upper Limit | Typical Value | Operational Description   |     |          |   |  |   |  |   |   |   |  |   |  |   |   |   |   |   |  |
|----------------|--|-------------|-------------|---------------|---|-----|----------|---|--|---|--|---|---|---|--|---|--|---|---|---|---|---|--|
| AOMInt         | 1  | 0           | 255         | 60            | The frequency of the auto-offset calibration cycle.   |     |          |   |  |   |  |   |   |   |  |   |  |   |   |   |   |   |  |
| ConfigEOC      | 1  | 0           | 255         | b01101001     | Bit coded as follows:<br><table border="1"> <thead> <tr> <th>Bit</th> <th>Function</th> </tr> </thead> <tbody> <tr> <td>7</td> <td>EOC on charge timer</td> </tr> <tr> <td>6</td> <td>EOC on <b>TCAVolt</b></td> </tr> <tr> <td>5</td> <td>Limit remcap to FCC</td> </tr> <tr> <td>4</td> <td>Set overcharge alarm at EOC</td> </tr> <tr> <td>3</td> <td>Load capacity with FCC at EOC</td> </tr> <tr> <td>2</td> <td>Trigger EOC on RSOC &gt; <b>SOCThreshold</b></td> </tr> <tr> <td>1</td> <td>Trigger EOC on average current</td> </tr> <tr> <td>0</td> <td>Trigger EOC on taper current</td> </tr> </tbody> </table>   | Bit | Function | 7 | EOC on charge timer  | 6 | EOC on <b>TCAVolt</b>  | 5 | Limit remcap to FCC   | 4 | Set overcharge alarm at EOC  | 3 | Load capacity with FCC at EOC  | 2 | Trigger EOC on RSOC > <b>SOCThreshold</b>   | 1 | Trigger EOC on average current  | 0 | Trigger EOC on taper current                       |
| Bit            | Function   |             |             |               |   |     |          |   |  |   |  |   |   |   |  |   |  |   |   |   |   |   |  |
| 7              | EOC on charge timer  |             |             |               |   |     |          |   |  |   |  |   |   |   |  |   |  |   |   |   |   |   |  |
| 6              | EOC on <b>TCAVolt</b>  |             |             |               |   |     |          |   |  |   |  |   |   |   |  |   |  |   |   |   |   |   |  |
| 5              | Limit remcap to FCC  |             |             |               |   |     |          |   |  |   |  |   |   |   |  |   |  |   |   |   |   |   |  |
| 4              | Set overcharge alarm at EOC  |             |             |               |   |     |          |   |  |   |  |   |   |   |  |   |  |   |   |   |   |   |  |
| 3              | Load capacity with FCC at EOC  |             |             |               |   |     |          |   |  |   |  |   |   |   |  |   |  |   |   |   |   |   |  |
| 2              | Trigger EOC on RSOC > <b>SOCThreshold</b>  |             |             |               |   |     |          |   |  |   |  |   |   |   |  |   |  |   |   |   |   |   |  |
| 1              | Trigger EOC on average current   |             |             |               |   |     |          |   |  |   |  |   |   |   |  |   |  |   |   |   |   |   |  |
| 0              | Trigger EOC on taper current   |             |             |               |   |     |          |   |  |   |  |   |   |   |  |   |  |   |   |   |   |   |  |
| ConfigEOD      | 1  | 0           | 255         | b01111000     | Bit coded as follows:<br><table border="1"> <thead> <tr> <th>Bit</th> <th>Function</th> </tr> </thead> <tbody> <tr> <td>7</td> <td>Evaluate EOD1 on fixed voltage (else table)</td> </tr> <tr> <td>6</td> <td>Set fully discharged bit on EOD1</td> </tr> <tr> <td>5</td> <td>Set capacity to residual capacity value immediately upon EOD1 (<b>EOD1Voltage</b> or LUT voltage)</td> </tr> <tr> <td>4</td> <td>Set terminate discharge alarm on EOD1 (<b>EOD1Voltage</b> or LUT voltage)</td> </tr> <tr> <td>3</td> <td>Learn FCC at EOD1 (<b>EOD1Voltage</b> or LUT voltage)</td> </tr> <tr> <td>2</td> <td>TDA alarm at EOD2 (<b>Vempty</b>)</td> </tr> <tr> <td>1</td> <td>Set capacity to zero at EOD2 (<b>Vempty</b>)</td> </tr> <tr> <td>0</td> <td>Do not allow capacity to drop below <b>EOD1Cap</b></td> </tr> </tbody> </table>   | Bit | Function | 7 | Evaluate EOD1 on fixed voltage (else table)  | 6 | Set fully discharged bit on EOD1   | 5 | Set capacity to residual capacity value immediately upon EOD1 ( <b>EOD1Voltage</b> or LUT voltage)                        | 4 | Set terminate discharge alarm on EOD1 ( <b>EOD1Voltage</b> or LUT voltage) | 3 | Learn FCC at EOD1 ( <b>EOD1Voltage</b> or LUT voltage)   | 2 | TDA alarm at EOD2 ( <b>Vempty</b> )   | 1 | Set capacity to zero at EOD2 ( <b>Vempty</b> )  | 0 | Do not allow capacity to drop below <b>EOD1Cap</b> |
| Bit            | Function   |             |             |               |   |     |          |   |  |   |  |   |   |   |  |   |  |   |   |   |   |   |  |
| 7              | Evaluate EOD1 on fixed voltage (else table)  |             |             |               |   |     |          |   |  |   |  |   |   |   |  |   |  |   |   |   |   |   |  |
| 6              | Set fully discharged bit on EOD1   |             |             |               |   |     |          |   |  |   |  |   |   |   |  |   |  |   |   |   |   |   |  |
| 5              | Set capacity to residual capacity value immediately upon EOD1 ( <b>EOD1Voltage</b> or LUT voltage)   |             |             |               |   |     |          |   |  |   |  |   |   |   |  |   |  |   |   |   |   |   |  |
| 4              | Set terminate discharge alarm on EOD1 ( <b>EOD1Voltage</b> or LUT voltage)   |             |             |               |   |     |          |   |  |   |  |   |   |   |  |   |  |   |   |   |   |   |  |
| 3              | Learn FCC at EOD1 ( <b>EOD1Voltage</b> or LUT voltage)   |             |             |               |   |     |          |   |  |   |  |   |   |   |  |   |  |   |   |   |   |   |  |
| 2              | TDA alarm at EOD2 ( <b>Vempty</b> )  |             |             |               |   |     |          |   |  |   |  |   |   |   |  |   |  |   |   |   |   |   |  |
| 1              | Set capacity to zero at EOD2 ( <b>Vempty</b> )   |             |             |               |   |     |          |   |  |   |  |   |   |   |  |   |  |   |   |   |   |   |  |
| 0              | Do not allow capacity to drop below <b>EOD1Cap</b>   |             |             |               |   |     |          |   |  |   |  |   |   |   |  |   |  |   |   |   |   |   |  |
| ConfigCAP      | 1  | 0           | 255         | 11010100      | <table border="1"> <thead> <tr> <th>Bit</th> <th>Function</th> </tr> </thead> <tbody> <tr> <td>7</td> <td>Compensate remcap – the displayed remcap actually equals FCC minus capacity used, minus residual capacity due to temperature. remcap is compensated for temperature.</td> </tr> <tr> <td>6</td> <td>Remcap decrease only – when compensating, if temperature changed causing a decrease in residual capacity, do not let remcap rise to reflect this. Instead, hold it steady until discharge catches up. This is so user does not see capacity increase while discharging (though usable capacity may increase if the temperature changes, user would be confused).</td> </tr> <tr> <td>5</td> <td>Use compensated FCC – use compensated FCC to compute RSOC. Allows compensated RSOC to equal 100% at full charge (delete).</td> </tr> <tr> <td>4</td> <td>Limit RSOC to 99% until EOC.</td> </tr> <tr> <td>3</td> <td>Report compensated FCC – the compensated FCC is reported in SBData to allow for externally calculated RSOC (delete).</td> </tr> <tr> <td>2</td> <td>Set capacity to positive immediately upon charging. If discharged below zero, this allows capacity to count up immediately upon charging.</td> </tr> <tr> <td>1</td> <td>Learn unconditionally – relearn FCC no matter what. Typically we have a max. current and a max. error limitation on relearn. This would take away the limitations. Typically used for testing only.</td> </tr> <tr> <td>0</td> <td>Self-discharge disable.</td> </tr> </tbody> </table> | Bit | Function | 7 | Compensate remcap – the displayed remcap actually equals FCC minus capacity used, minus residual capacity due to temperature. remcap is compensated for temperature. | 6 | Remcap decrease only – when compensating, if temperature changed causing a decrease in residual capacity, do not let remcap rise to reflect this. Instead, hold it steady until discharge catches up. This is so user does not see capacity increase while discharging (though usable capacity may increase if the temperature changes, user would be confused). | 5 | Use compensated FCC – use compensated FCC to compute RSOC. Allows compensated RSOC to equal 100% at full charge (delete). | 4 | Limit RSOC to 99% until EOC.   | 3 | Report compensated FCC – the compensated FCC is reported in SBData to allow for externally calculated RSOC (delete). | 2 | Set capacity to positive immediately upon charging. If discharged below zero, this allows capacity to count up immediately upon charging. | 1 | Learn unconditionally – relearn FCC no matter what. Typically we have a max. current and a max. error limitation on relearn. This would take away the limitations. Typically used for testing only. | 0 | Self-discharge disable.                            |
| Bit            | Function   |             |             |               |   |     |          |   |  |   |  |   |   |   |  |   |  |   |   |   |   |   |  |
| 7              | Compensate remcap – the displayed remcap actually equals FCC minus capacity used, minus residual capacity due to temperature. remcap is compensated for temperature.   |             |             |               |   |     |          |   |  |   |  |   |   |   |  |   |  |   |   |   |   |   |  |
| 6              | Remcap decrease only – when compensating, if temperature changed causing a decrease in residual capacity, do not let remcap rise to reflect this. Instead, hold it steady until discharge catches up. This is so user does not see capacity increase while discharging (though usable capacity may increase if the temperature changes, user would be confused). |             |             |               |   |     |          |   |  |   |  |   |   |   |  |   |  |   |   |   |   |   |  |
| 5              | Use compensated FCC – use compensated FCC to compute RSOC. Allows compensated RSOC to equal 100% at full charge (delete).  |             |             |               |   |     |          |   |  |   |  |   |   |   |  |   |  |   |   |   |   |   |  |
| 4              | Limit RSOC to 99% until EOC.   |             |             |               |   |     |          |   |  |   |  |   |   |   |  |   |  |   |   |   |   |   |  |
| 3              | Report compensated FCC – the compensated FCC is reported in SBData to allow for externally calculated RSOC (delete).   |             |             |               |   |     |          |   |  |   |  |   |   |   |  |   |  |   |   |   |   |   |  |
| 2              | Set capacity to positive immediately upon charging. If discharged below zero, this allows capacity to count up immediately upon charging.  |             |             |               |   |     |          |   |  |   |  |   |   |   |  |   |  |   |   |   |   |   |  |
| 1              | Learn unconditionally – relearn FCC no matter what. Typically we have a max. current and a max. error limitation on relearn. This would take away the limitations. Typically used for testing only.  |             |             |               |   |     |          |   |  |   |  |   |   |   |  |   |  |   |   |   |   |   |  |
| 0              | Self-discharge disable.  |             |             |               |   |     |          |   |  |   |  |   |   |   |  |   |  |   |   |   |   |   |  |

**TABLE 9-5: PS501 SETTINGS (CONTINUED)**

| Parameter Name         | # Bytes   | Lower Limit   | Upper Limit | Typical Value | Operational Description   |     |          |          |                                    |        |  |   |                           |                             |                                 |        |   |   |   |                      |   |             |   |   |               |  |   |             |   |
|------------------------|---|---|-------------|---------------|---|-----|----------|----------|------------------------------------|--------|--|---|---------------------------|-----------------------------|---------------------------------|--------|---|---|---|----------------------|---|-------------|---|---|---------------|--|---|-------------|---|
| <b>ConfigLED</b>       | 1   | 0   | 255         | b10000010     | Bit coded as follows:<br><table border="0"> <thead> <tr> <th>Bit</th> <th>Function</th> </tr> </thead> <tbody> <tr> <td>7</td> <td>Disable Master mode</td> </tr> <tr> <td>6</td> <td>(free)</td> </tr> <tr> <td>5</td> <td>Enable fast LED time base</td> </tr> <tr> <td>4</td> <td>LED display while charging</td> </tr> <tr> <td>3</td> <td>Display the most significant LED only</td> </tr> <tr> <td>2</td> <td>LED using absolute SOC, else relative SOC</td> </tr> <tr> <td>1</td> <td>Flash LEDs on remaining time or remaining cap alarm</td> </tr> <tr> <td>0</td> <td>Flash LEDs while charging</td> </tr> </tbody> </table>  | Bit | Function | 7        | Disable Master mode                | 6      | (free)                                       | 5 | Enable fast LED time base | 4                           | LED display while charging      | 3      | Display the most significant LED only           | 2 | LED using absolute SOC, else relative SOC | 1                    | Flash LEDs on remaining time or remaining cap alarm | 0           | Flash LEDs while charging                     |   |               |  |   |             |   |
| Bit                    | Function  |   |             |               |   |     |          |          |                                    |        |  |   |                           |                             |                                 |        |   |   |   |                      |   |             |   |   |               |  |   |             |   |
| 7                      | Disable Master mode                                 |   |             |               |   |     |          |          |                                    |        |  |   |                           |                             |                                 |        |   |   |   |                      |   |             |   |   |               |  |   |             |   |
| 6                      | (free)  |   |             |               |   |     |          |          |                                    |        |  |   |                           |                             |                                 |        |   |   |   |                      |   |             |   |   |               |  |   |             |   |
| 5                      | Enable fast LED time base                           |   |             |               |   |     |          |          |                                    |        |  |   |                           |                             |                                 |        |   |   |   |                      |   |             |   |   |               |  |   |             |   |
| 4                      | LED display while charging                          |   |             |               |   |     |          |          |                                    |        |  |   |                           |                             |                                 |        |   |   |   |                      |   |             |   |   |               |  |   |             |   |
| 3                      | Display the most significant LED only               |   |             |               |   |     |          |          |                                    |        |  |   |                           |                             |                                 |        |   |   |   |                      |   |             |   |   |               |  |   |             |   |
| 2                      | LED using absolute SOC, else relative SOC           |   |             |               |   |     |          |          |                                    |        |  |   |                           |                             |                                 |        |   |   |   |                      |   |             |   |   |               |  |   |             |   |
| 1                      | Flash LEDs on remaining time or remaining cap alarm |   |             |               |   |     |          |          |                                    |        |  |   |                           |                             |                                 |        |   |   |   |                      |   |             |   |   |               |  |   |             |   |
| 0                      | Flash LEDs while charging                           |   |             |               |   |     |          |          |                                    |        |  |   |                           |                             |                                 |        |   |   |   |                      |   |             |   |   |               |  |   |             |   |
| <b>FLAGS1</b>          | 1   | 0   | 255         | b11101011     | Bit coded as follows:<br><table border="0"> <thead> <tr> <th>Bit</th> <th>Function</th> </tr> </thead> <tbody> <tr> <td>7</td> <td>Enable precharge max current check</td> </tr> <tr> <td>6</td> <td>Hold charge current = 0 until next discharge</td> </tr> <tr> <td>5</td> <td>Int/Ext temperature</td> </tr> <tr> <td>4</td> <td>Disable Sleep in main Idle mode</td> </tr> <tr> <td>3</td> <td>Require null current for Low-Voltage Sleep mode</td> </tr> <tr> <td>2</td> <td>Disable safety GPIO</td> </tr> <tr> <td>1</td> <td>Pack resistance enable</td> </tr> <tr> <td>0</td> <td>Enable Sample mode detect</td> </tr> </tbody> </table>   | Bit | Function | 7        | Enable precharge max current check | 6      | Hold charge current = 0 until next discharge | 5 | Int/Ext temperature       | 4                           | Disable Sleep in main Idle mode | 3      | Require null current for Low-Voltage Sleep mode | 2 | Disable safety GPIO                       | 1                    | Pack resistance enable                              | 0           | Enable Sample mode detect                     |   |               |  |   |             |   |
| Bit                    | Function  |   |             |               |   |     |          |          |                                    |        |  |   |                           |                             |                                 |        |   |   |   |                      |   |             |   |   |               |  |   |             |   |
| 7                      | Enable precharge max current check                  |   |             |               |   |     |          |          |                                    |        |  |   |                           |                             |                                 |        |   |   |   |                      |   |             |   |   |               |  |   |             |   |
| 6                      | Hold charge current = 0 until next discharge        |   |             |               |   |     |          |          |                                    |        |  |   |                           |                             |                                 |        |   |   |   |                      |   |             |   |   |               |  |   |             |   |
| 5                      | Int/Ext temperature                                 |   |             |               |   |     |          |          |                                    |        |  |   |                           |                             |                                 |        |   |   |   |                      |   |             |   |   |               |  |   |             |   |
| 4                      | Disable Sleep in main Idle mode                     |   |             |               |   |     |          |          |                                    |        |  |   |                           |                             |                                 |        |   |   |   |                      |   |             |   |   |               |  |   |             |   |
| 3                      | Require null current for Low-Voltage Sleep mode     |   |             |               |   |     |          |          |                                    |        |  |   |                           |                             |                                 |        |   |   |   |                      |   |             |   |   |               |  |   |             |   |
| 2                      | Disable safety GPIO                                 |   |             |               |   |     |          |          |                                    |        |  |   |                           |                             |                                 |        |   |   |   |                      |   |             |   |   |               |  |   |             |   |
| 1                      | Pack resistance enable                              |   |             |               |   |     |          |          |                                    |        |  |   |                           |                             |                                 |        |   |   |   |                      |   |             |   |   |               |  |   |             |   |
| 0                      | Enable Sample mode detect                           |   |             |               |   |     |          |          |                                    |        |  |   |                           |                             |                                 |        |   |   |   |                      |   |             |   |   |               |  |   |             |   |
| <b>mWhConv</b>         | 2   | 0   | 65535       | 2000          | Constant for conversion from mAh to mWh.  |     |          |          |                                    |        |  |   |                           |                             |                                 |        |   |   |   |                      |   |             |   |   |               |  |   |             |   |
| <b>NSample</b>         | 1   | 0   | 255         | 10            | Frequency of ADC activity in Sample mode. The A/D converter will take measurements every <b>NSample</b> period while in Sample mode. In Run mode, new measurements are taken every period.  |     |          |          |                                    |        |  |   |                           |                             |                                 |        |   |   |   |                      |   |             |   |   |               |  |   |             |   |
| <b>OSCTrim</b>         | 1   | 0   | 255         | 200           | RC oscillator trimming.   |     |          |          |                                    |        |  |   |                           |                             |                                 |        |   |   |   |                      |   |             |   |   |               |  |   |             |   |
| <b>SampleLimit</b>     | 2   | 0   | 65535       | 15            | Value used to determine the current threshold for entry/exit for Sample and Run modes in mA.  |     |          |          |                                    |        |  |   |                           |                             |                                 |        |   |   |   |                      |   |             |   |   |               |  |   |             |   |
| <b>SMBMstrBaud</b>     | 1   | 0   | 127         | 1             | Master broadcast baud rate (512 kHz/4)/( <b>SMBMstrBaud</b> + 1).   |     |          |          |                                    |        |  |   |                           |                             |                                 |        |   |   |   |                      |   |             |   |   |               |  |   |             |   |
| <b>SMBChrgrAddr</b>    | 1   | 0   | 255         | 0x12          | Address to broadcast charger messages to.   |     |          |          |                                    |        |  |   |                           |                             |                                 |        |   |   |   |                      |   |             |   |   |               |  |   |             |   |
| <b>SMBHostAddr</b>     | 1   | 0   | 255         | 0x10          | Address to broadcast host messages to.  |     |          |          |                                    |        |  |   |                           |                             |                                 |        |   |   |   |                      |   |             |   |   |               |  |   |             |   |
| <b>SMBAlrmInterval</b> | 1   | 0   | 255         | 120           | Delay between alarm broadcasts, units 0.5 seconds.  |     |          |          |                                    |        |  |   |                           |                             |                                 |        |   |   |   |                      |   |             |   |   |               |  |   |             |   |
| <b>Config1</b>         | 1   | 0   | 255         | 100           | Bootload configuration.   |     |          |          |                                    |        |  |   |                           |                             |                                 |        |   |   |   |                      |   |             |   |   |               |  |   |             |   |
| <b>SleepVPack</b>      | 2   | 0   | 65535       | 8800          | The pack voltage at which the PS501 will enter Low-Voltage Sleep mode.  |     |          |          |                                    |        |  |   |                           |                             |                                 |        |   |   |   |                      |   |             |   |   |               |  |   |             |   |
| <b>WakeUp</b>          | 1   | 0   | 255         | b00001011     | When in the Low-Voltage Sleep mode (entry due to low voltage and Sample mode), there are four methods for waking up. They are voltage level, current level, SMBus activity and I/O pin activity. This value defines which wake-up functions are enabled and also the voltage wake-up level. The table below indicates the appropriate setting. Note that the setting is independent of the number of cells or their configuration.<br><br>Wake-up:<br><table border="0"> <thead> <tr> <th>Bit</th> <th>Name</th> <th>Function</th> </tr> </thead> <tbody> <tr> <td>7</td> <td>WakeIO</td> <td>Wake-up from I/O activity</td> </tr> <tr> <td>6</td> <td>WakeBus</td> <td>Wake-up from SMBus activity</td> </tr> <tr> <td>5</td> <td>Unused</td> <td></td> </tr> <tr> <td>4</td> <td>WakeVolt</td> <td>Wake-up from voltage</td> </tr> <tr> <td>3</td> <td>Shelf-Sleep</td> <td>Use Ultra Low-Power mode for Shelf-Sleep mode</td> </tr> <tr> <td>1</td> <td>LV Sleep Mode</td> <td>Use Ultra Low-Power mode as Low-Voltage Sleep mode</td> </tr> <tr> <td>0</td> <td>Zero Remcap</td> <td>Set remcap to zero when entering Low-Voltage Sleep mode</td> </tr> </tbody> </table> | Bit | Name     | Function | 7                                  | WakeIO | Wake-up from I/O activity                    | 6 | WakeBus                   | Wake-up from SMBus activity | 5                               | Unused |   | 4 | WakeVolt                                  | Wake-up from voltage | 3   | Shelf-Sleep | Use Ultra Low-Power mode for Shelf-Sleep mode | 1 | LV Sleep Mode | Use Ultra Low-Power mode as Low-Voltage Sleep mode | 0 | Zero Remcap | Set remcap to zero when entering Low-Voltage Sleep mode |
| Bit                    | Name  | Function  |             |               |   |     |          |          |                                    |        |  |   |                           |                             |                                 |        |   |   |   |                      |   |             |   |   |               |  |   |             |   |
| 7                      | WakeIO  | Wake-up from I/O activity                               |             |               |   |     |          |          |                                    |        |  |   |                           |                             |                                 |        |   |   |   |                      |   |             |   |   |               |  |   |             |   |
| 6                      | WakeBus   | Wake-up from SMBus activity                             |             |               |   |     |          |          |                                    |        |  |   |                           |                             |                                 |        |   |   |   |                      |   |             |   |   |               |  |   |             |   |
| 5                      | Unused  |   |             |               |   |     |          |          |                                    |        |  |   |                           |                             |                                 |        |   |   |   |                      |   |             |   |   |               |  |   |             |   |
| 4                      | WakeVolt  | Wake-up from voltage                                    |             |               |   |     |          |          |                                    |        |  |   |                           |                             |                                 |        |   |   |   |                      |   |             |   |   |               |  |   |             |   |
| 3                      | Shelf-Sleep   | Use Ultra Low-Power mode for Shelf-Sleep mode           |             |               |   |     |          |          |                                    |        |  |   |                           |                             |                                 |        |   |   |   |                      |   |             |   |   |               |  |   |             |   |
| 1                      | LV Sleep Mode                                       | Use Ultra Low-Power mode as Low-Voltage Sleep mode      |             |               |   |     |          |          |                                    |        |  |   |                           |                             |                                 |        |   |   |   |                      |   |             |   |   |               |  |   |             |   |
| 0                      | Zero Remcap   | Set remcap to zero when entering Low-Voltage Sleep mode |             |               |   |     |          |          |                                    |        |  |   |                           |                             |                                 |        |   |   |   |                      |   |             |   |   |               |  |   |             |   |

# PS501

TABLE 9-5: PS501 SETTINGS (CONTINUED)

| Parameter Name | # Bytes | Lower Limit | Upper Limit | Typical Value | Operational Description |                |                |
|----------------|---------|-------------|-------------|---------------|-------------------------|----------------|----------------|
| WakeLevels     | 1       | 0           | 255         | b11000110     | Wake-up Voltage:        |                |                |
|                |         |             |             |               | <u>WakeUp (2:0)</u>     | <u>Voltage</u> | <u>Purpose</u> |
|                |         |             |             |               | 000                     | 6.4V           | 2 cells Li Ion |
|                |         |             |             |               | 001                     | 6.66V          | 2 cells Li Ion |
|                |         |             |             |               | 010                     | 8.88V          | 2 cells Li Ion |
|                |         |             |             |               | 011                     | 9.6V           | 3 cells Li Ion |
|                |         |             |             |               | 100                     | 9.99V          | 3 cells Li Ion |
|                |         |             |             |               | 101                     | 11.1V          | 3 cells Li Ion |
|                |         |             |             |               | 110                     | 12.8V          | 4 cells Li Ion |
|                |         |             |             |               | 111                     | 13.3V          | 4 cells Li Ion |

TABLE 9-6: SBData SETTINGS

| Parameter Name | # Bytes | Lower Limit | Upper Limit | Typical Value | Operational Description   |
|----------------|---------|-------------|-------------|---------------|---|
| HighTempAI     | 1       | 0           | 255         | 200           | OVER_TEMP_ALARM threshold bit in <u>AlarmWarning</u> register, 0.1°C increments, Coded value = (Celsius * 10 + 200)/4. When the temperature exceeds <b>HighTempAI</b> , the OVER_TEMP_ALARM becomes active. If charging, the TERMINATE_CHARGE_ALARM also becomes active.  |
| NChrgBroadcast | 1       | 0           | 255         | 20            | Frequency of charging condition broadcasts.   |
| RemCapAI       | 2       | 0           | 65535       | 440           | SBData value for <b>RemCapAI</b> . The SBData specification requires a default of <u>DesignCapacity</u> /10 for this value. When the remaining capacity calculation reaches the value of <b>RemCapAI</b> , the REMAINING_CAPACITY_ALARM bit will be set in the <u>BatteryStatus</u> register and an alarm broadcast to the Host will occur if alarm broadcasts are enabled. |
| RemTimeAI      | 2       | 0           | 65535       | 10            | SBData value for <b>RemTimeAI</b> . SBData requires a default of 10 minutes for this value. When the <u>RunTimeToEmpty</u> calculation reaches the value of <b>RemTimeAI</b> , the REMAINING_TIME_ALARM bit in the <u>BatteryStatus</u> register will be set.   |
| TCAVolt        | 2       | 0           | 65535       | 4400          | Cell voltage when the battery sends TERMINATE_CHARGE_ALARM. This is a voltage higher than the End-Of-Charge voltage that will trigger a TERMINATE_CHARGE_ALARM in case EOC is not responded to by the charger.  |



**TABLE 9-7: CALIBRATION**

| Parameter Name | # Bytes              | Lower Limit | Upper Limit | Typical Value | Operational Description   |            |                 |   |                    |   |                     |   |               |   |                      |   |                      |   |         |   |              |   |               |
|----------------|----------------------|-------------|-------------|---------------|---|------------|-----------------|---|--------------------|---|---------------------|---|---------------|---|----------------------|---|----------------------|---|---------|---|--------------|---|---------------|
| CalStatus      | 1                    | 0           | 255         | b10000000     | Bit coded as follows:<br><table border="0"> <tr> <td><u>Bit</u></td> <td><u>Function</u></td> </tr> <tr> <td>7</td> <td>Factory calibrated</td> </tr> <tr> <td>6</td> <td>EE/Flash downloaded</td> </tr> <tr> <td>5</td> <td>RC oscillator</td> </tr> <tr> <td>4</td> <td>External temperature</td> </tr> <tr> <td>3</td> <td>Internal temperature</td> </tr> <tr> <td>2</td> <td>Current</td> </tr> <tr> <td>1</td> <td>Pack voltage</td> </tr> <tr> <td>0</td> <td>Cell voltages</td> </tr> </table> 0 = Not Calibrated<br>1 = Calibrated | <u>Bit</u> | <u>Function</u> | 7 | Factory calibrated | 6 | EE/Flash downloaded | 5 | RC oscillator | 4 | External temperature | 3 | Internal temperature | 2 | Current | 1 | Pack voltage | 0 | Cell voltages |
| <u>Bit</u>     | <u>Function</u>      |             |             |               |   |            |                 |   |                    |   |                     |   |               |   |                      |   |                      |   |         |   |              |   |               |
| 7              | Factory calibrated   |             |             |               |   |            |                 |   |                    |   |                     |   |               |   |                      |   |                      |   |         |   |              |   |               |
| 6              | EE/Flash downloaded  |             |             |               |   |            |                 |   |                    |   |                     |   |               |   |                      |   |                      |   |         |   |              |   |               |
| 5              | RC oscillator        |             |             |               |   |            |                 |   |                    |   |                     |   |               |   |                      |   |                      |   |         |   |              |   |               |
| 4              | External temperature |             |             |               |   |            |                 |   |                    |   |                     |   |               |   |                      |   |                      |   |         |   |              |   |               |
| 3              | Internal temperature |             |             |               |   |            |                 |   |                    |   |                     |   |               |   |                      |   |                      |   |         |   |              |   |               |
| 2              | Current              |             |             |               |   |            |                 |   |                    |   |                     |   |               |   |                      |   |                      |   |         |   |              |   |               |
| 1              | Pack voltage         |             |             |               |   |            |                 |   |                    |   |                     |   |               |   |                      |   |                      |   |         |   |              |   |               |
| 0              | Cell voltages        |             |             |               |   |            |                 |   |                    |   |                     |   |               |   |                      |   |                      |   |         |   |              |   |               |
| CFCurr         | 2                    | 0           | 65535       | 6844          | Correction Factor for Current. Adjusts the scaling of the sense resistor current measurements. Used to calibrate the measurement of current at the RSHP and RSHN input pins. This is set for the size of the current sense resistor.  |            |                 |   |                    |   |                     |   |               |   |                      |   |                      |   |         |   |              |   |               |
| CFTempE        | 2                    | 0           | 65535       | 1300          | Correction Factor for Temperature. Adjusts the scaling of temperature measured across an external thermistor at the VNTC input pin.   |            |                 |   |                    |   |                     |   |               |   |                      |   |                      |   |         |   |              |   |               |
| CFTempI        | 2                    | 0           | 65535       | 9102          | Correction Factor for Temperature. Adjusts the scaling of temperature measured from the internal temperature sensor. Calibration: $\text{New CF\_TEMP} = \text{Old CF\_TEMP} \times (\text{Thermometer}[^\circ\text{C}]/\text{SBData Temperature}[^\circ\text{C}])$<br><b>Note:</b> SBData <u>Temperature</u> is reported in 0.1°K normally. It must be converted to °C for this equation.  |            |                 |   |                    |   |                     |   |               |   |                      |   |                      |   |         |   |              |   |               |
| CFVCell1       | 2                    | 0           | 65535       | 22325         | Calibration Correction Factor for VCELL1. Used to calibrate the measurement of individual cell voltage between the VCELL1-4 input pins.   |            |                 |   |                    |   |                     |   |               |   |                      |   |                      |   |         |   |              |   |               |
| CFVCell2       | 2                    | 0           | 65535       | 22393         | Calibration Correction Factor for VCELL2. Used to calibrate the measurement of individual cell voltage between the VCELL1-4 input pins.   |            |                 |   |                    |   |                     |   |               |   |                      |   |                      |   |         |   |              |   |               |
| CFVCell3       | 2                    | 0           | 65535       | 22420         | Calibration Correction Factor for VCELL3. Used to calibrate the measurement of individual cell voltage between the VCELL1-4 input pins.   |            |                 |   |                    |   |                     |   |               |   |                      |   |                      |   |         |   |              |   |               |
| CFVCell4       | 2                    | 0           | 65535       | 22470         | Calibration Correction Factor for VCELL4. Used to calibrate the measurement of individual cell voltage between the VCELL1-4 input pins.   |            |                 |   |                    |   |                     |   |               |   |                      |   |                      |   |         |   |              |   |               |
| CFVPack        | 2                    | 0           | 65535       | 20045         | Correction Factor for Pack Voltage. Adjusts the scaling of the pack voltage measurements. Used to calibrate the measurement of pack voltage between VCELL4 input pin and ground.  |            |                 |   |                    |   |                     |   |               |   |                      |   |                      |   |         |   |              |   |               |
| COCurr         | 2                    | -32768      | 32767       | -12           | Correction Offset for Current. This is the value the A/D reads when zero current is flowing through the sense resistor.   |            |                 |   |                    |   |                     |   |               |   |                      |   |                      |   |         |   |              |   |               |
| COD            | 1                    | -128        | 127         | -12           | Correction Offset Deviation. Offset value for the auto-zero calibration of the current readings.<br>$\text{SBData Current}[\text{mA}] = (\text{I\_A/D} - \text{COCurr}) \times \text{CFCurr}/16384$<br>Calibration: $\text{CF\_CURR} = ((\text{Ammeter}[\text{mA}] \times 16384) - 8192)/(\text{Current} - \text{I\_A/D at OCV})$   |            |                 |   |                    |   |                     |   |               |   |                      |   |                      |   |         |   |              |   |               |

**TABLE 9-7: CALIBRATION (CONTINUED)**

| Parameter Name            | # Bytes | Lower Limit | Upper Limit | Typical Value | Operational Description  |
|---------------------------|---------|-------------|-------------|---------------|--|
| <b>COTempE</b>            | 1       | -128        | 127         | -2            | Correction Offset for Temperature. Offset = 0 used for temperature measurement using internal temperature sensor.  |
| <b>COTempl</b>            | 2       | -32768      | 32767       | 21647         | Correction Offset for Temperature. Offset = 0 used for temperature measurement using internal temperature sensor.  |
| <b>COVCell</b>            | 1       | -128        | 127         | 0             | Correction Offset for Cell Voltage. Offset factor used for individual cell voltage readings.<br>$SBDData\_Voltage[mV] = (V\_AD - CO\_VOLT) \times CF\_VOLT/2048$<br>Calibration: $New\ CF\_VOLT = Old\ CF\_VOLT \times (Voltmeter[mV]/SBDData\_Voltage[mV])$                             |
| <b>COVPack</b>            | 1       | -128        | 127         | 0             | Correction Offset for Voltage. Offset factor used for pack voltage reading.  |
| <b>BGCal</b>              | 1       | 0           | 255         | 0             | Band gap voltage calibration factor.   |
| <b>RefCal</b>             | 1       | 0           | 255         | 0             | Reference voltage calibration factor.  |
| <b>VCellSafeVolt</b>      | 2       | 0           | 65535       | 4150          | Safe threshold for VCELLS.   |
| <b>SampleModeRechecks</b> | 1       | 0           | 255         | 6             | # of OPCs current < <b>SampleLimit</b> before entering Sample mode.  |
| <b>AgeFactor</b>          | 1       | 0           | 255         | 0             | Scale factor for EOD voltage due to aging.   |
| <b>RemCapDelta</b>        | 1       | 0           | 255         | 1             | Maximum change in remaining capacity per measurement period.   |
| <b>Flags2</b>             | 1       | 0           | 255         | 10000000      | Bit 7: 1 = compensate remcap only on discharge<br>Bit 6: internal test bit (CJ)<br>Bit 5: internal test bit (CL)<br>Bit 4: compensate remcap on null current<br>Bit 3: unused<br>Bit 2: 1 = cell balancing enabled<br>Bit 1: 1 = compensate VC4/VPACK<br>Bit 0: 1 = compensate VC1/VPACK |
| <b>VcellmbSet</b>         | 1       | 0           | 255         | 100           | Voltage difference to trigger internal cell balancing.   |
| <b>VcellmbReset</b>       | 1       | 0           | 255         | 80            | Voltage difference to turn off cell balancing.   |
| <b>PwrUpTimer</b>         | 1       | 0           | 255         | 4             | Time during which GPIO are inactive after first power-up.  |
| <b>VC1Res</b>             | 2       | 0           | 65535       | 0             | Series resistance for VCELL1 measurement. 1/16384 ohms.  |
| <b>VC4Res</b>             | 2       | 0           | 65535       | 0             | Series resistance for VCELL4 measurement. 1/16384 ohms.  |
| <b>NPermLogCnt</b>        | 1       | 0           | 255         | 0             | Counter for logging Faults.  |
| <b>NPermLogReg</b>        | 1       | 0           | 255         | 0             | Register for logging Faults.   |
| <b>RelnitGPIO</b>         | 2       | 0           | 65535       | 0             | Register for resetting all GPIO during testing.  |
| <b>GPIODelayFlags</b>     | 2       | 0           | 65535       | 0             | Positive logic change of GPIO is delayed when upper byte is set. Lower byte maps to GPIO.  |
| <b>GPIODelayMS</b>        | 1       | 0           | 255         | 0             | GPIO delay in milliseconds, when <b>GPIODelayFlags</b> has the delay enabled.  |
| <b>ParamVersion</b>       | 1       | 0           | 255         | 0             | EEPROM version control number.   |
| <b>KeyByte</b>            | 1       | 0           | 255         | 0xDA          | EE keybyte must be 0xDA before P5 will exit Bootloader mode.   |
| <b>EOD1Recheck</b>        | 1       | 0           | 255         | 8             | Recheck period for EOD.  |
| <b>EOCTimeout</b>         | 2       | 0           | 65535       | 60            | EOC time-out timer.  |
| <b>CapErrReset</b>        | 2       | 0           | 65535       | 0             | Value to set <u>MaxError</u> to at EOD.  |
| <b>ImbalanceSOC</b>       | 1       | 0           | 255         | 20            | RSOC below which cell balance is measured.   |

## 10.0 ELECTRICAL CHARACTERISTICS

**TABLE 10-1: ABSOLUTE MAXIMUM RATINGS**

| Symbol   | Parameter                                   | Min  | Max  | Units |
|----------|---|------|------|-------|
| VCX      | Voltage at any VC(x) pin                    | -0.3 | 18.5 | V     |
| VPIN     | Voltage directly at any pin (except VCELLX) | -0.5 | 7.0  | V     |
| TBIAS    | Temperature under Bias                      | -20  | 85   | °C    |
| TSTORAGE | Storage Temperature (package dependent)     | -35  | 125  | °C    |

**Note:** These are stress ratings only. Stress greater than the listed ratings may cause permanent damage to the device. Exposure to absolute maximum ratings for an extended period may affect device reliability. Functional operation is implied only at the listed operating conditions below.

**TABLE 10-2: DC CHARACTERISTICS (TA = -20°C TO +85°C; VREG (INTERNAL) = +3.3V ± 10%)**

| Symbol                | Characteristic  | Min        | Typ  | Max        | Units | Condition                               |
|-----------------------|---|------------|------|------------|-------|---|
| VSUPPLY               | Supply Voltage – Applied to VC(1)   | 5.6        | —    | 18.0       | V     |   |
| IDD                   | Instantaneous Supply Current  | —          | 220  | —          | µA    | <b>(Note 1)</b>                         |
| IDDRUN                | Average Supply Current – Run Mode   | —          | 175  | —          | µA    | A/D active <b>(Note 1)</b>              |
| IDDINS                | Inactive Supply Current – Sample Mode                                       | —          | 150  | —          | µA    | A/D inactive <b>(Note 1, 2)</b>         |
| IDDSSLP               | Inactive Supply Current – Low-Power Mode                                    | —          | 25   | —          | µA    | A/D inactive <b>(Note 1, 2)</b>         |
| IDDSLPL               | Average Supply Current – Ultra Low-Power Mode                               | —          | 0.8  | 1          | µA    | Sleep mode <b>(Note 1, 4)</b>           |
| IWAKE                 | Wake-up Current Threshold from Sleep Mode – (voltage across sense resistor) | 2.50       | 3.75 | 5.00       | mV    |   |
| VIL                   | Input Low Voltage – GPIO(7-0)   | —          | —    | 0.2 * VDDD | V     |   |
| VIH                   | Input High Voltage – GPIO(7-0)  | 0.8 * VDDD | —    | —          | V     |   |
| IIL-IOPU              | GPIO Input Low Current – Pull-up Mode                                       | -37.5      | -110 | -140       | µA    |   |
| IIL-IOPD              | GPIO Input High Current – Pull-down Mode                                    | -37.5      | -110 | -140       | µA    |   |
| IL                    | Leakage Current – GPIO pins Programmed as Outputs                           | —          | 1    | 2          | µA    |   |
| VOL                   | Output Low Voltage for GPIO(7-0)  | —          | —    | 0.6        | V     | IO <sub>L</sub> = 0.5 mA                |
| VOH-IO                | Output High Voltage for GPIO(7-0) (non-LED mode)                            | 2.0        | —    | —          | V     | IO <sub>H</sub> = 100 µA                |
| VOH-LED               | Output High Voltage for GPIO(7-0) (LED mode)                                | 2.0        | —    | —          | V     | IO <sub>H</sub> = 10 mA <b>(Note 3)</b> |
| VSR                   | Sense Resistor Input Voltage Range  | -152       | —    | 152        | mV    |   |
| VNTC                  | Thermistor Input Voltage Range  | 0          | —    | 152        | mV    |   |
| VREFT                 | NTC Reference Voltage Output at VREFT pin                                   | —          | 150  | —          | mV    |   |
| VIL-SMB               | Input Low Voltage for SMBus pins  | -0.5       | —    | 0.8        | V     |   |
| VIH-SMB               | Input High Voltage for SMBus pins   | 2.0        | —    | 5.5        | V     |   |
| VOL-SMB               | Output Low Voltage for SMBus pins   | —          | —    | 0.4        | V     | IPULLUP = 350 µA                        |
| VOH-SMB               | Output High Voltage for SMBus pins  | 2.1        | —    | 5.5        | V     |   |
| IPULLUP-SMB           | Current through Pull-up Resistor or Current Source for SMBus pins           | 100        | —    | 350        | µA    |   |
| I <sub>LEAK-SMB</sub> | Input Leakage Current – SMBus pins  | —          | —    | ± 5        | µA    |   |

**Note 1:** Does not include current consumption due to external loading on pins. Valid for a maximum voltage of 16.8 volts for the referenced current specification.

**2:** Sample mode current is specified during an A/D inactive cycle. Sample mode average current can be calculated using the formula: Average Sample Mode Supply Current = (IDDRUN + (n - 1) \* IDDINS)/n; where 'n' is the programmed sample rate.

**3:** During LED illumination, currents may peak at 10 mA but average individual LED current is typically 5 mA (using low-current, high-brightness devices).

**4:** Measured at 25°C.

# PS501

**TABLE 10-3: AC CHARACTERISTICS (TA = -20°C TO +85°C; VREG (INTERNAL) = +3.3V ± 10%)**

| Symbol | Characteristic                                | Min | Typ                 | Max | Units | Condition |
|--------|---|-----|---------------------|-----|-------|-----------|
| fRC    | Internal RC Oscillator Frequency              | —   | 512.000             | —   | kHz   |           |
| fAD    | Internal A/D Clock Frequency                  | —   | fRC/16              | —   | kHz   |           |
| tCONV  | A/D Conversion Measurement Time, n-bit + sign | —   | 2 <sup>n</sup> /fAD | —   | ms    |           |

**TABLE 10-4: AC CHARACTERISTICS – SMBus (TA = -20°C TO +85°C; VREG (INTERNAL) = +3.3V ± 10%)**

| Symbol    | Characteristic                       | Min  | Typ   | Max  | Units | Condition                     |
|-----------|--------------------------------------|------|-------|------|-------|-------------------------------|
| fSMB      | SMBus Clock Operating Frequency      | <1.0 | —     | 100  | kHz   | Slave mode                    |
| fSMB-MAS  | SMBus Clock Operating Frequency      | 50   | fRC/8 | 68   | kHz   | Master mode ( <b>Note 1</b> ) |
| tBUF      | Bus Free Time between START and STOP | 4.7  | —     | —    | μs    |                               |
| tSHLD     | Bus Hold Time after Repeated START   | 4.0  | —     | —    | μs    |                               |
| tSU:STA   | Setup Time before Repeated START     | 4.7  | —     | —    | μs    |                               |
| tSU:STOP  | STOP Setup Time                      | 4.0  | —     | —    | μs    |                               |
| tHLD      | Data Hold Time                       | 300  | —     | —    | μs    |                               |
| tSETUP    | Data Setup Time                      | 250  | —     | —    | μs    |                               |
| tTIMEOUT  | Clock Low Time-out Period            | 10   | —     | 35   | ms    | <b>(Note 2)</b>               |
| tLOW      | Clock Low Period                     | 4.7  | —     | —    | μs    |                               |
| tHIGH     | Clock High Period                    | 4.0  | —     | 50   | μs    | <b>(Note 3)</b>               |
| tLOW:SEXT | Message Buffering Time               | —    | —     | 10   | ms    | <b>(Note 4)</b>               |
| tLOW:MEXT | Message Buffering Time               | —    | —     | 10   | ms    | <b>(Note 5)</b>               |
| tF        | Clock/Data Fall Time                 | —    | —     | 300  | ns    | <b>(Note 6)</b>               |
| tR        | Clock/Data Rise Time                 | —    | —     | 1000 | ns    | <b>(Note 6)</b>               |

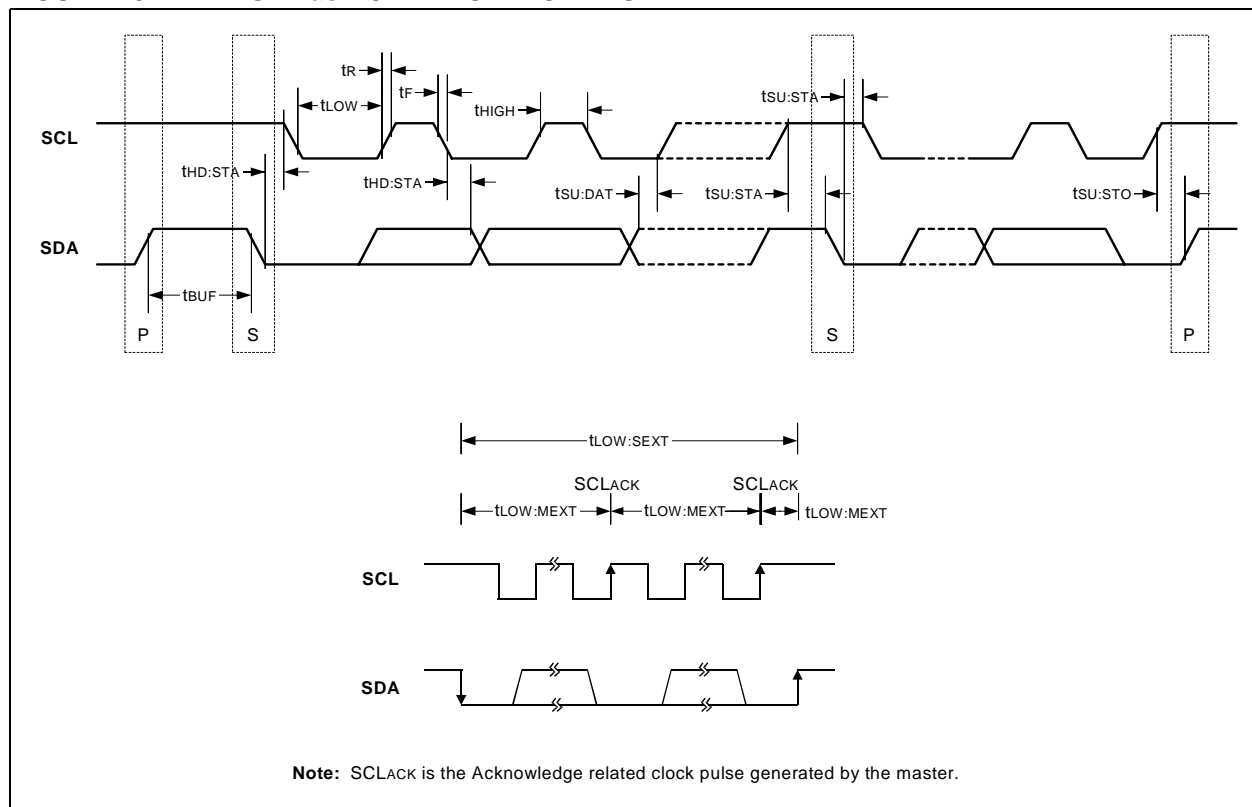
- Note 1:** Used when broadcasting `AlarmWarning`, `ChargingCurrent` and/or `ChargingVoltage` values to either a SMBus Host or a SMBus Smart Battery Charger. This is only used when the PS501 becomes a SMBus master for these functions. The receiving (slave) device may slow the transfer frequency. See SMBus Tutorial in P4 User's Guide for additional information.
- 2:** The PS501 will time-out when the cumulative message time defined from Start-to-Ack, Ack-to-Ack or Ack-to-Stop exceeds the value of tTIMEOUT, min. of 25 ms. The PS501 will reset the communication no later than tTIMEOUT, max. of 35 ms.
- 3:** tHIGH max. provides a simple method for devices to detect bus idle conditions.
- 4:** tLOW:SEXT is the cumulative time a slave device is allowed to extend the clock cycles in one message from the initial start to the stop.
- 5:** tLOW:MEXT is the cumulative time a master device is allowed to extend its clock cycles within each byte of a message as defined from Start-to-Ack, Ack-to-Ack or Ack-to-Stop.
- 6:** Rise and fall time is defined as follows:  
 $tR = (V_{L_{MAX}} - 0.15) \text{ to } (V_{H_{MIN}} + 0.15)$   
 $tF = 0.9 V_{DD} \text{ to } (V_{L_{MAX}} - 0.15)$

**TABLE 10-5: A/D CONVERTER CHARACTERISTICS (TA = -20°C TO +85°C;  
VREG (INTERNAL) = +3.3V ± 10%)**

| Symbol   | Characteristic                               | Min | Typ | Max   | Units | Condition         |
|----------|--|-----|-----|-------|-------|-------------------|
| ADRES    | A/D Converter Resolution                     | 9   | —   | 16    | bits  | (Note 1)          |
| VADIN    | A/D Converter Input Voltage Range (internal) | 170 | —   | 170   | mV    | Differential mode |
|          |  | 0   | —   | 340   | mV    | Single-Ended mode |
| EVGAIN   | Supply Voltage Gain Error                    | —   | —   | 0.100 | %     |                   |
| EVOFFSET | Compensated Offset Error                     | —   | —   | 0.100 | %     |                   |
| ETEMP    | Temperature Gain Error                       | —   | —   | 0.100 | %     |                   |
| EINL     | Integrated Nonlinearity Error                | —   | —   | 0.004 | %     |                   |

**Note 1:** Voltage is internal at A/D converter inputs. VSR and VNTC are measured directly. VC(x) inputs are measured using internal level translation circuitry that scales the input voltage range appropriately for the converter.

**FIGURE 10-1: SMBus AC TIMING DIAGRAMS**



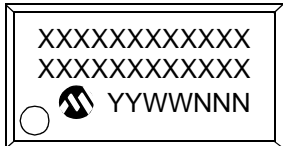
**TABLE 10-6: SILICON TIME BASE CHARACTERISTICS (TA = -20°C TO +85°C;  
VREG (INTERNAL) = +5.0V ± 10%)**

| Symbol | Characteristic          | Min | Typ | Max  | Units | Condition  |
|--------|-------------------------|-----|-----|------|-------|--|
| ETIME  | Silicon Time Base Error | —   | —   | 0.35 | %     | Bias resistor ROSC tolerance = 1%,<br>TL = ± 100 PPM |

## 11.0 PACKAGING INFORMATION

### 11.1 Package Marking Information

28-Lead SSOP



Example



**Legend:** XX...X Customer specific information\*  
Y Year code (last digit of calendar year)  
YY Year code (last 2 digits of calendar year)  
WW Week code (week of January 1 is week '01')  
NNN Alphanumeric traceability code

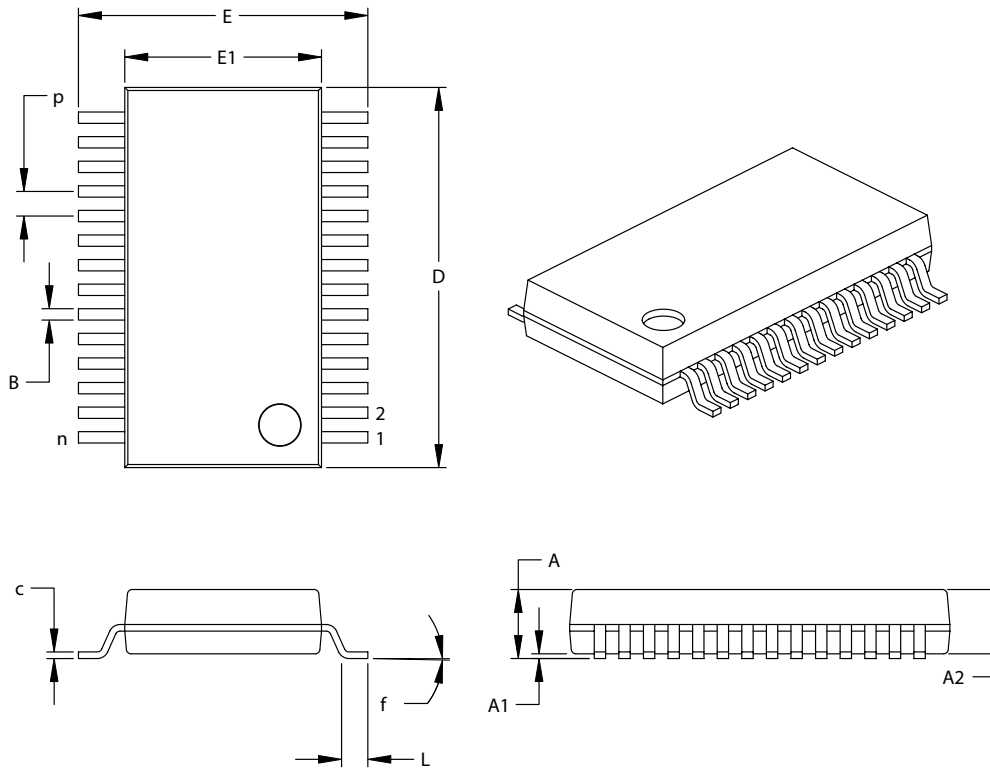
**Note:** In the event the full Microchip part number cannot be marked on one line, it will be carried over to the next line thus limiting the number of available characters for customer specific information.

- \* Standard PICmicro device marking consists of Microchip part number, year code, week code, and traceability code. For PICmicro device marking beyond this, certain price adders apply. Please check with your Microchip Sales Office. For QTP devices, any special marking adders are included in QTP price.

## 11.2 Package Details

The following sections give the technical details of the packages.

### 28-Lead Plastic Shrink Small Outline (SS) – 209 mil Body, 5.30 mm (SSOP)



| Dimension Limits         | Units | INCHES |      |      | MILLIMETERS* |       |       |
|--------------------------|-------|--------|------|------|--------------|-------|-------|
|                          |       | MIN    | NOM  | MAX  | MIN          | NOM   | MAX   |
| Number of Pins           | n     | 28     |      |      | 28           |       |       |
| Pitch                    | P     |        | .026 |      |              | 0.65  |       |
| Overall Height           | A     | -      | -    | .079 | -            | -     | 2.0   |
| Molded Package Thickness | A2    | .065   | .069 | .073 | 1.65         | 1.75  | 1.85  |
| Standoff                 | A1    | .002   | -    | -    | 0.05         | -     | -     |
| Overall Width            | E     | .295   | .307 | .323 | 7.49         | 7.80  | 8.20  |
| Molded Package Width     | E1    | .009   | .209 | .220 | 5.00         | 5.30  | 5.60  |
| Overall Length           | D     | .390   | .402 | .413 | 9.90         | 10.20 | 10.50 |
| Foot Length              | L     | .022   | .030 | .037 | 0.55         | 0.75  | 0.95  |
| Lead Thickness           | c     | .004   | -    | .010 | 0.09         | -     | 0.25  |
| Foot Angle               | f     | 0°     | 4°   | 8°   | 0°           | 4°    | 8°    |
| Lead Width               | B     | .009   | -    | .015 | 0.22         | -     | 0.38  |

\*Controlling Parameter

Notes:

Dimensions D and E1 do not include mold flash or protrusions. Mold flash or protrusions shall not exceed .010" (0.254mm) per side.

JEDEC Equivalent: MO-150

Drawing No. C04-073

# PS501

---

NOTES:



Information contained in this publication regarding device applications and the like is provided only for your convenience and may be superseded by updates. It is your responsibility to ensure that your application meets with your specifications. MICROCHIP MAKES NO REPRESENTATIONS OR WARRANTIES OF ANY KIND WHETHER EXPRESS OR IMPLIED, WRITTEN OR ORAL, STATUTORY OR OTHERWISE, RELATED TO THE INFORMATION, INCLUDING BUT NOT LIMITED TO ITS CONDITION, QUALITY, PERFORMANCE, MERCHANTABILITY OR FITNESS FOR PURPOSE. Microchip disclaims all liability arising from this information and its use. Use of Microchip's products as critical components in life support systems is not authorized except with express written approval by Microchip. No licenses are conveyed, implicitly or otherwise, under any Microchip intellectual property rights.

## Trademarks

The Microchip name and logo, the Microchip logo, Accuron, KEELOQ, PIC, PICmicro, PowerSmart and SmartShunt are registered trademarks of Microchip Technology Incorporated in the U.S.A. and other countries.

SmartSensor is a registered trademark of Microchip Technology Incorporated in the U.S.A.

PowerCal, PowerInfo, PowerMate, PowerTool and SmartTel are trademarks of Microchip Technology Incorporated in the U.S.A. and other countries.

All other trademarks mentioned herein are property of their respective companies.

© 2004, Microchip Technology Incorporated. Printed in the U.S.A., All Rights Reserved.



Printed on recycled paper.



---

---

## WORLDWIDE SALES AND SERVICE

---

---

### AMERICAS

**Corporate Office**  
2355 West Chandler Blvd.  
Chandler, AZ 85224-6199  
Tel: 480-792-7200  
Fax: 480-792-7277  
Technical Support:  
<http://support.microchip.com>  
Web Address:  
[www.microchip.com](http://www.microchip.com)

**Atlanta**  
Alpharetta, GA  
Tel: 770-640-0034  
Fax: 770-640-0307

**Boston**  
Westford, MA  
Tel: 978-692-3848  
Fax: 978-692-3821

**Chicago**  
Itasca, IL  
Tel: 630-285-0071  
Fax: 630-285-0075

**Dallas**  
Addison, TX  
Tel: 972-818-7423  
Fax: 972-818-2924

**Detroit**  
Farmington Hills, MI  
Tel: 248-538-2250  
Fax: 248-538-2260

**Kokomo**  
Kokomo, IN  
Tel: 765-864-8360  
Fax: 765-864-8387

**Los Angeles**  
Mission Viejo, CA  
Tel: 949-462-9523  
Fax: 949-462-9608

**San Jose**  
Mountain View, CA  
Tel: 650-215-1444  
Fax: 650-961-0286

**Toronto**  
Mississauga, Ontario,  
Canada  
Tel: 905-673-0699  
Fax: 905-673-6509

### ASIA/PACIFIC

**Australia - Sydney**  
Tel: 61-2-9868-6733  
Fax: 61-2-9868-6755

**China - Beijing**  
Tel: 86-10-8528-2100  
Fax: 86-10-8528-2104

**China - Chengdu**  
Tel: 86-28-8676-6200  
Fax: 86-28-8676-6599

**China - Fuzhou**  
Tel: 86-591-8750-3506  
Fax: 86-591-8750-3521

**China - Hong Kong SAR**  
Tel: 852-2401-1200  
Fax: 852-2401-3431

**China - Shanghai**  
Tel: 86-21-5407-5533  
Fax: 86-21-5407-5066

**China - Shenyang**  
Tel: 86-24-2334-2829  
Fax: 86-24-2334-2393

**China - Shenzhen**  
Tel: 86-755-8203-2660  
Fax: 86-755-8203-1760

**China - Shunde**  
Tel: 86-757-2839-5507  
Fax: 86-757-2839-5571

**China - Qingdao**  
Tel: 86-532-502-7355  
Fax: 86-532-502-7205

### ASIA/PACIFIC

**India - Bangalore**  
Tel: 91-80-2229-0061  
Fax: 91-80-2229-0062

**India - New Delhi**  
Tel: 91-11-5160-8631  
Fax: 91-11-5160-8632

**Japan - Kanagawa**  
Tel: 81-45-471- 6166  
Fax: 81-45-471-6122

**Korea - Seoul**  
Tel: 82-2-554-7200  
Fax: 82-2-558-5932 or  
82-2-558-5934

**Singapore**  
Tel: 65-6334-8870  
Fax: 65-6334-8850

**Taiwan - Kaohsiung**  
Tel: 886-7-536-4818  
Fax: 886-7-536-4803

**Taiwan - Taipei**  
Tel: 886-2-2500-6610  
Fax: 886-2-2508-0102

**Taiwan - Hsinchu**  
Tel: 886-3-572-9526  
Fax: 886-3-572-6459

### EUROPE

**Austria - Weis**  
Tel: 43-7242-2244-399  
Fax: 43-7242-2244-393

**Denmark - Ballerup**  
Tel: 45-4450-2828  
Fax: 45-4485-2829

**France - Massy**  
Tel: 33-1-69-53-63-20  
Fax: 33-1-69-30-90-79

**Germany - Ismaning**  
Tel: 49-89-627-144-0  
Fax: 49-89-627-144-44

**Italy - Milan**  
Tel: 39-0331-742611  
Fax: 39-0331-466781

**Netherlands - Drunen**  
Tel: 31-416-690399  
Fax: 31-416-690340

**England - Berkshire**  
Tel: 44-118-921-5869  
Fax: 44-118-921-5820